



US00D342321S

United States Patent [19]

[11] Patent Number: **Des. 342,321**

Bresle

[45] Date of Patent: **** Dec. 14, 1993**

[54] **CHEMICAL SAMPLER**

4,850,504 7/1989 Grindrod et al. 220/306
5,091,153 2/1992 Bachand 422/58

[75] Inventor: **Ake Bresle, Kungsvägen, Sweden**

Primary Examiner—A. Hugo Word

[73] Assignee: **Expertus Kemiteknik AB, Sundsvall, Sweden**

Assistant Examiner—Celia A. Murphy

Attorney, Agent, or Firm—Griffin Butler Whisenhunt & Kurtosy

[**] Term: **14 Years**

[21] Appl. No.: **494,496**

[57] **CLAIM**

The ornamental design for a chemical sampler, as shown.

[22] Filed: **Mar. 16, 1990**

[30] **Foreign Application Priority Data**

DESCRIPTION

Sep. 18, 1989 [SE] Sweden 892093

[52] U.S. Cl. **D24/224; D24/223**

[58] Field of Search **D24/223, 117, 224; 206/45.19, 471; 220/306; 604/187; 422/58, 61; 435/297, 810**

FIG. 1 is a bottom perspective view of a chemical sampler showing my new design;

FIG. 2 is a top perspective view thereof;

FIG. 3 is a perspective view thereof, the protective cover being partially peeled away;

FIG. 4 is a perspective view thereof; the protective cover being completely removed;

FIG. 5 is a perspective view of an alternate embodiment of the design shown in FIG. 1;

FIG. 6 is a perspective view of FIG. 5;

FIG. 7 is a perspective view of FIG. 5, the protective cover being partially peeled away;

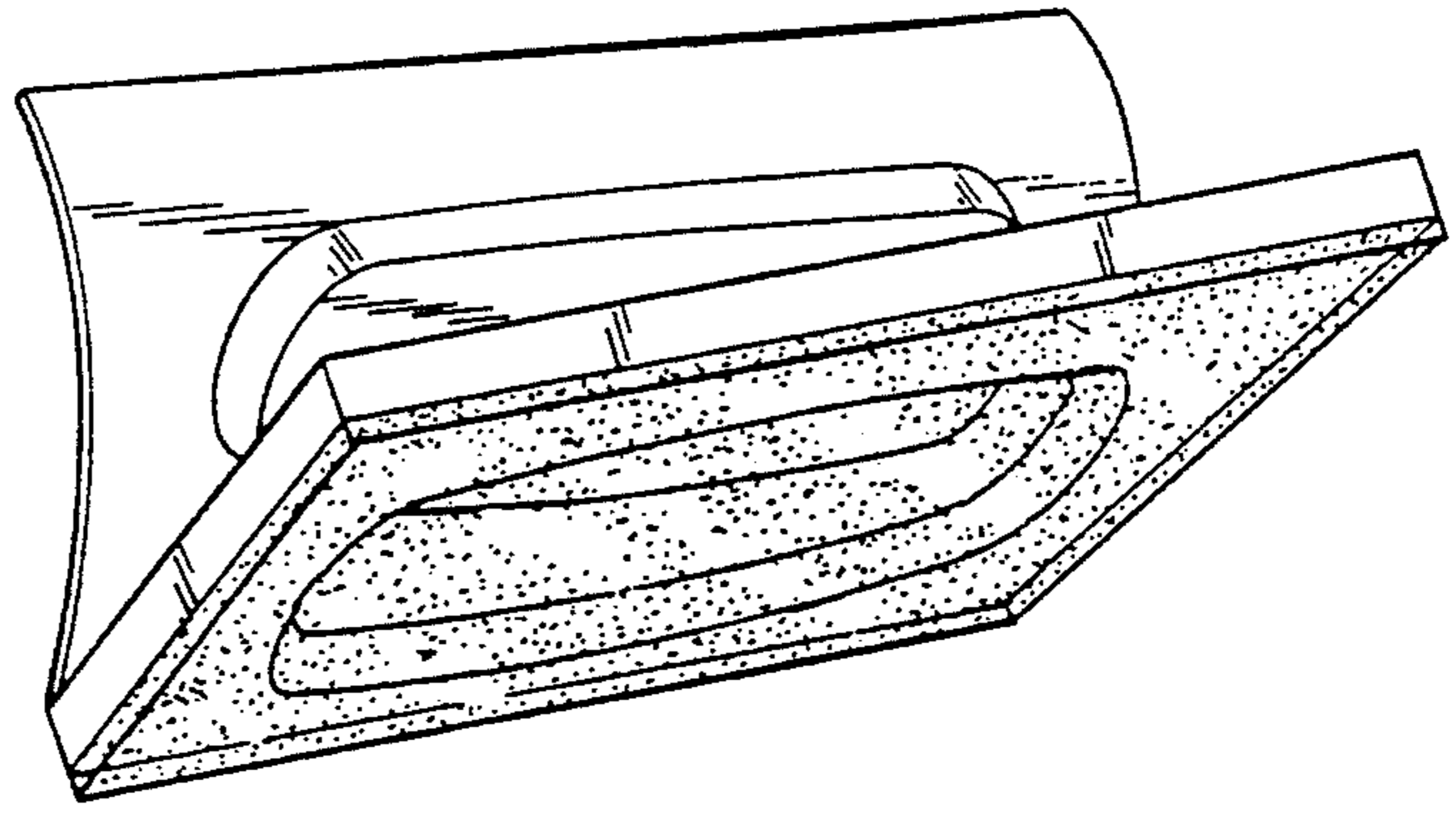
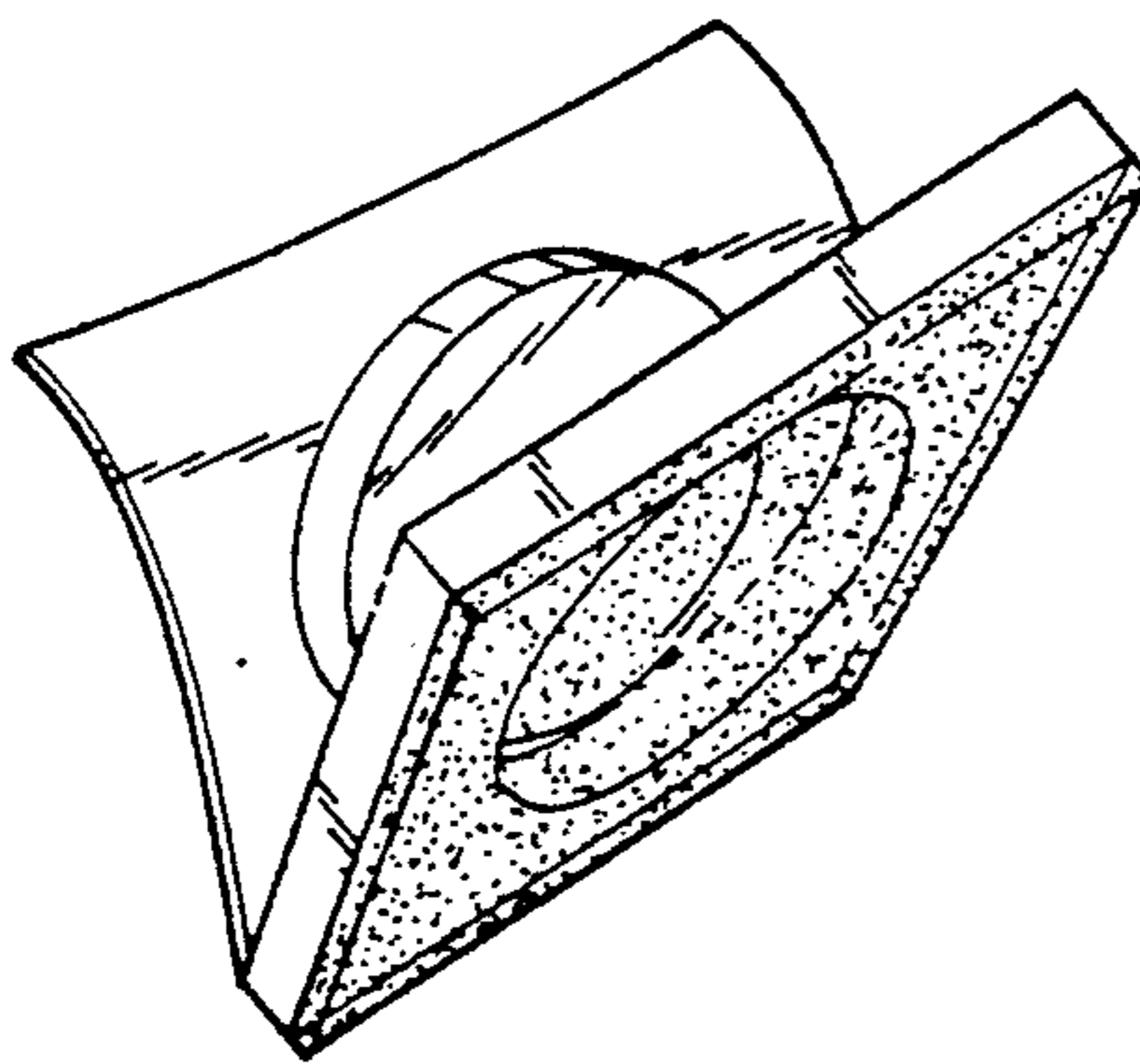
FIG. 8 is a perspective view of FIG. 5, the protective cover being completely removed; and,

FIG. 9 is a bottom plan view of FIG. 4, the protective cover being completely removed.

[56] **References Cited**

U.S. PATENT DOCUMENTS

D. 234,025	12/1974	Potter	D24/224
D. 273,565	4/1984	Driskell et al.	D24/224
D. 295,319	4/1988	Franchere et al.	D24/224
2,546,779	3/1951	Polcyn	D24/117
3,209,906	10/1965	Kraut	206/471
4,278,693	7/1981	Dingethal et al.	206/45.19
4,427,705	1/1984	Wyslotsky et al.	220/306
4,737,463	4/1988	Bhattacharjee et al.	422/58
4,758,229	7/1988	Doerschner	604/187



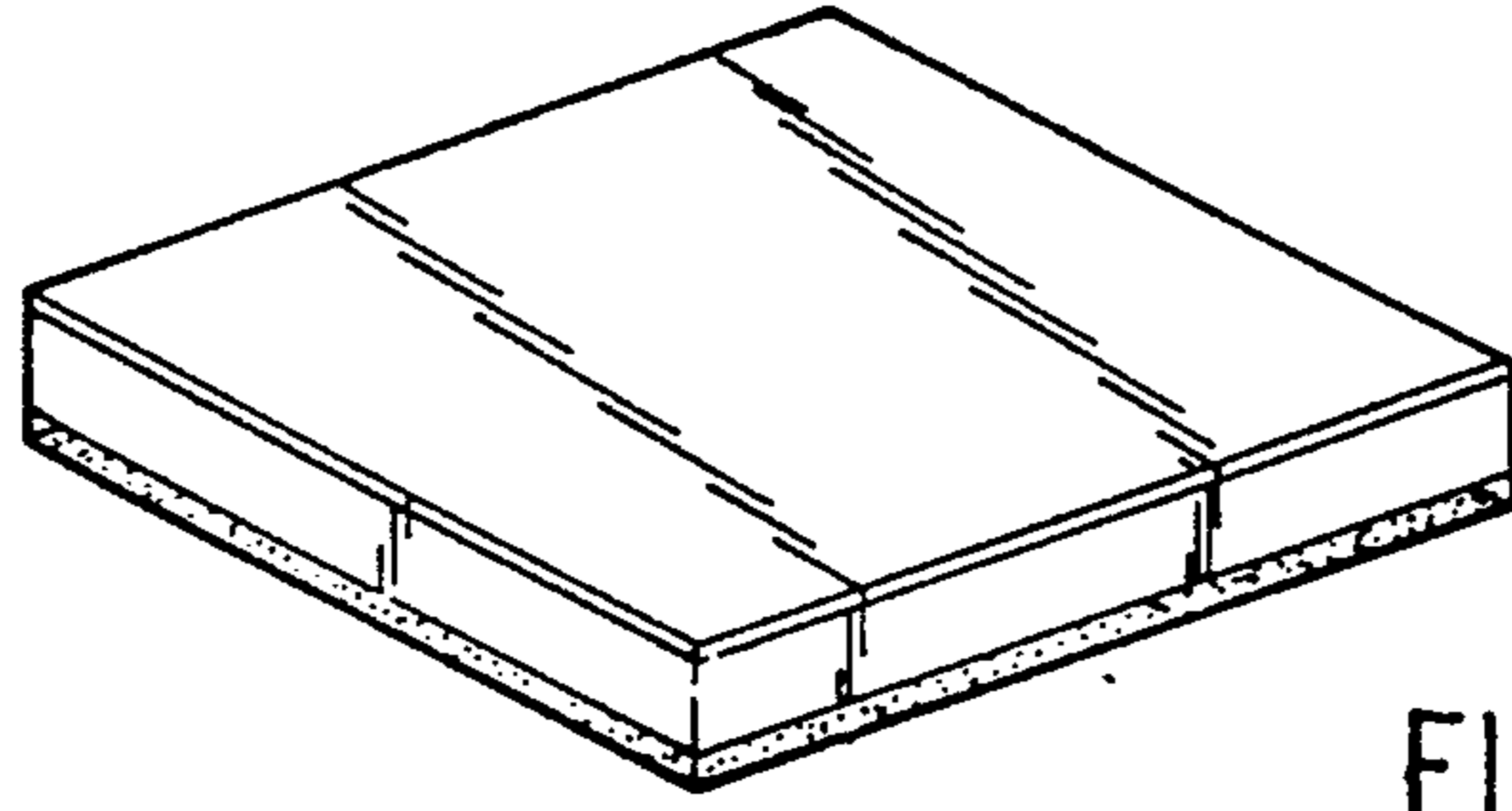


FIG. 1

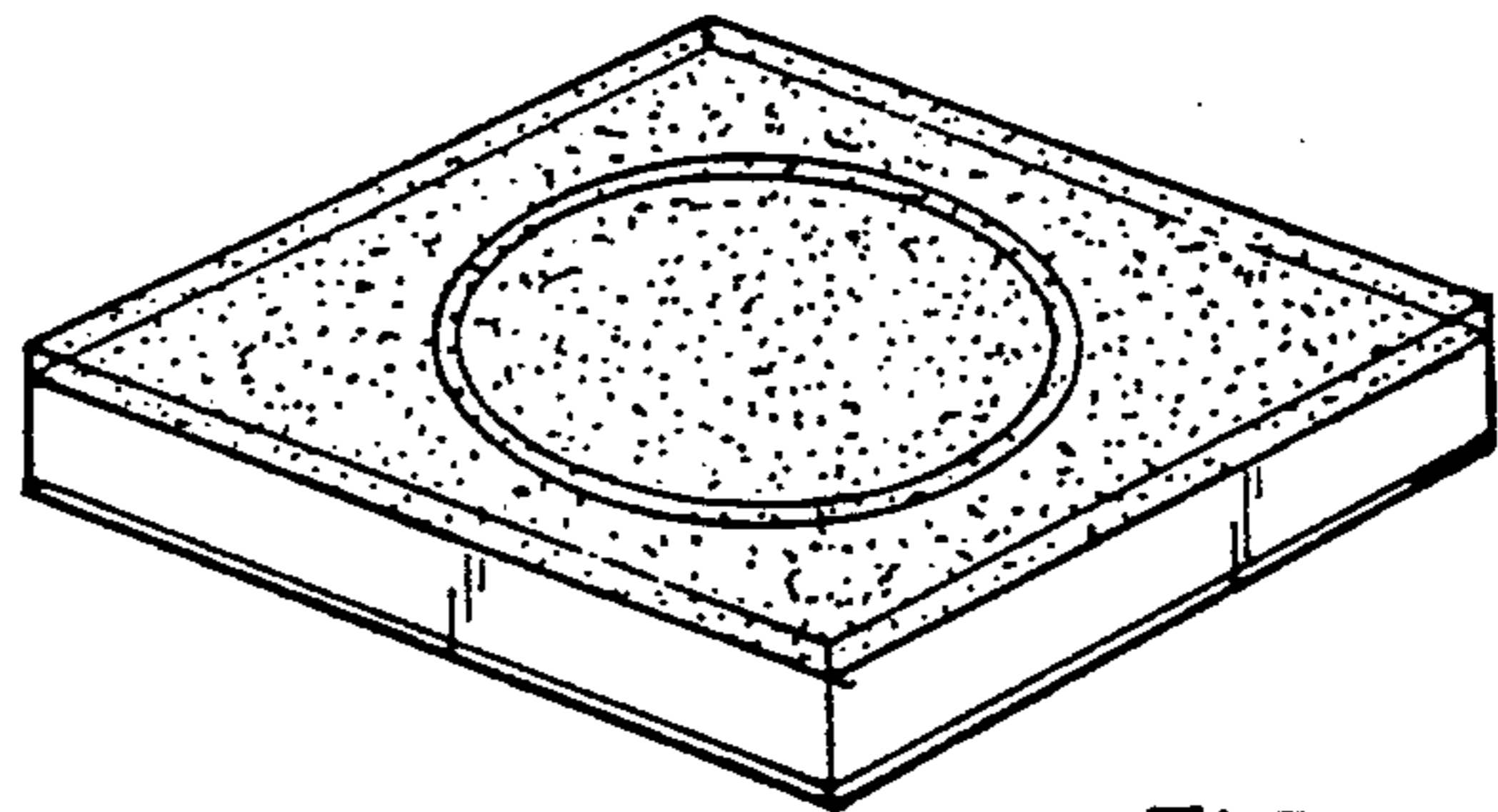


FIG. 2

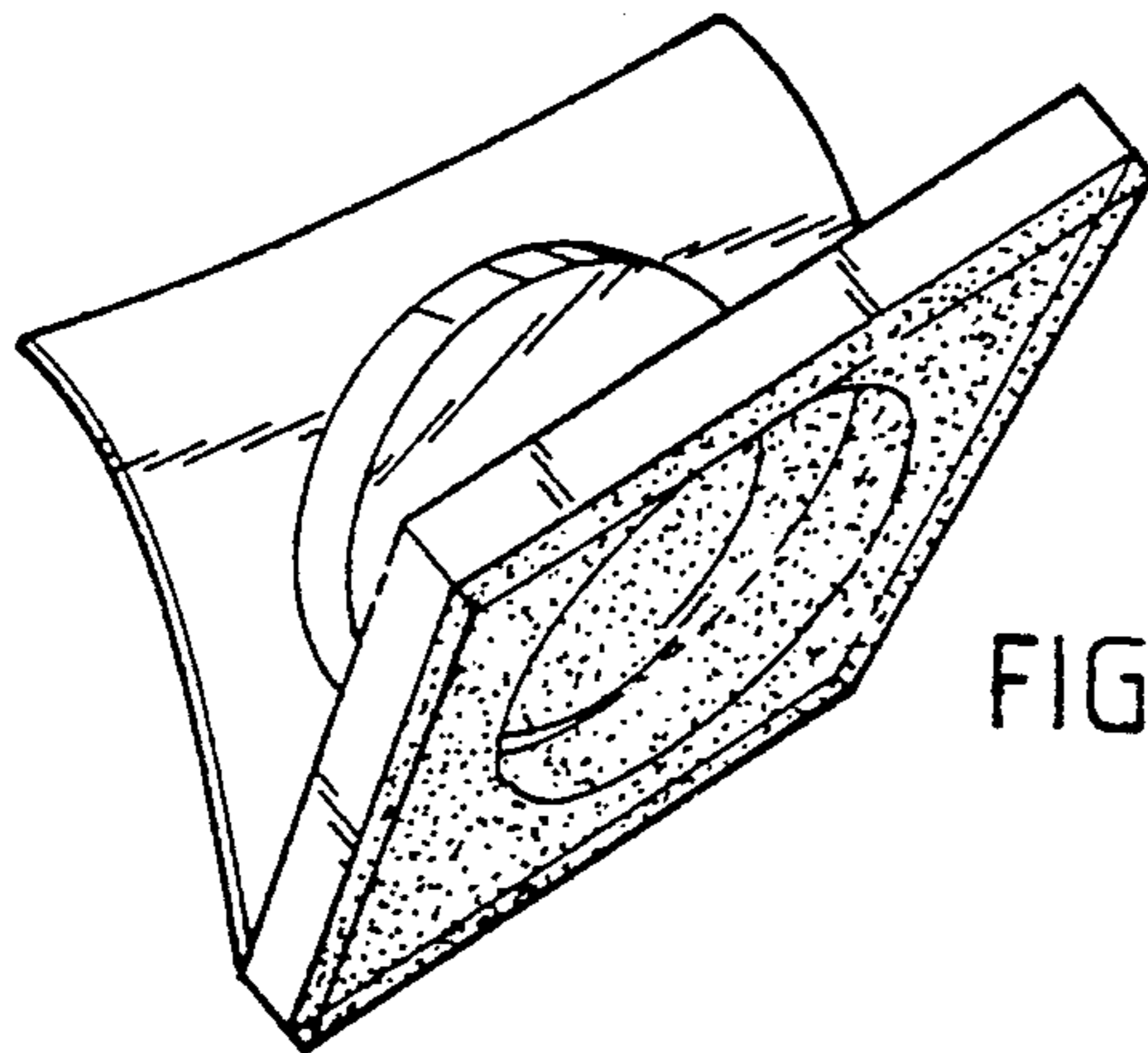


FIG. 3

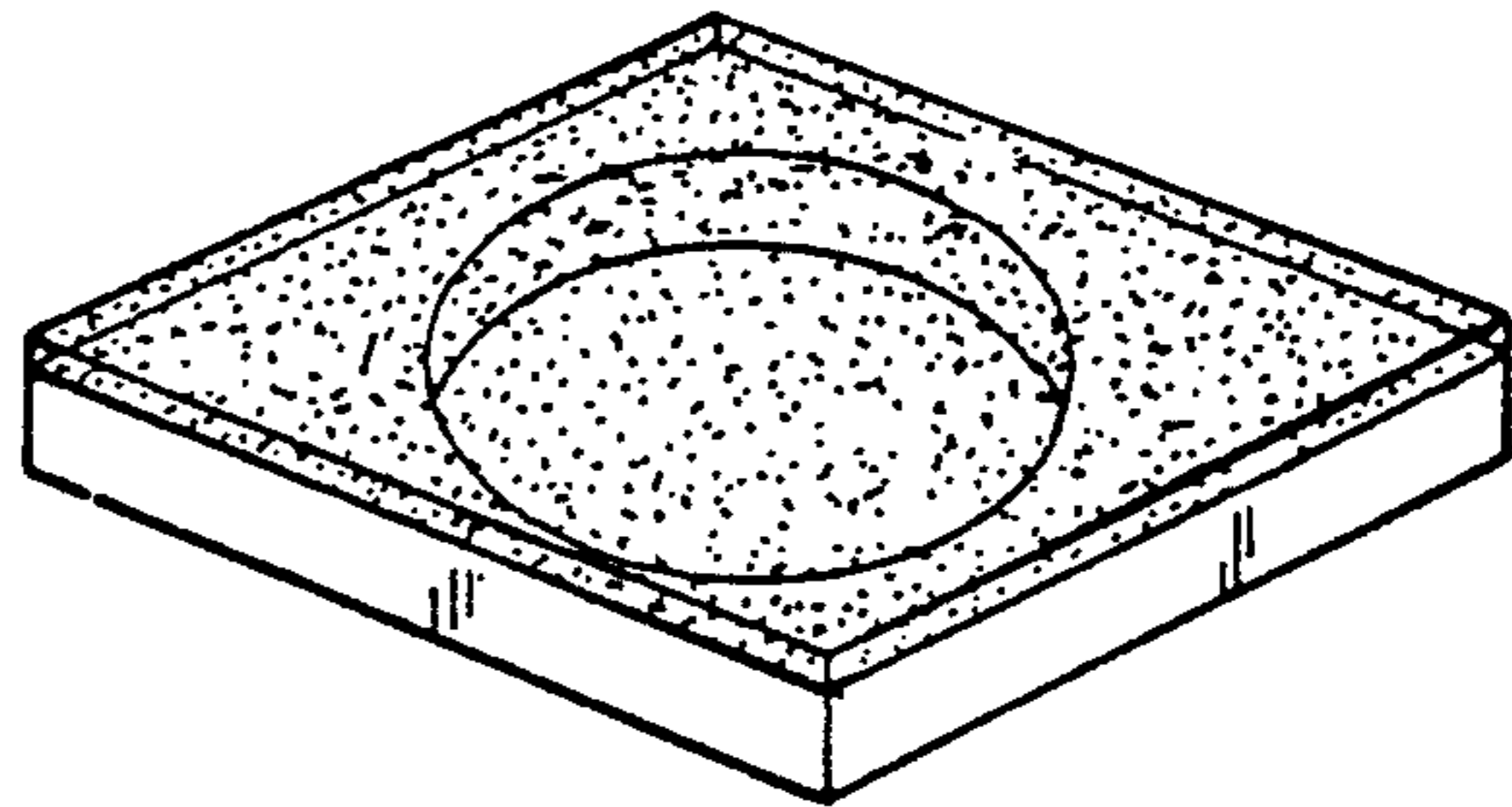


FIG. 4

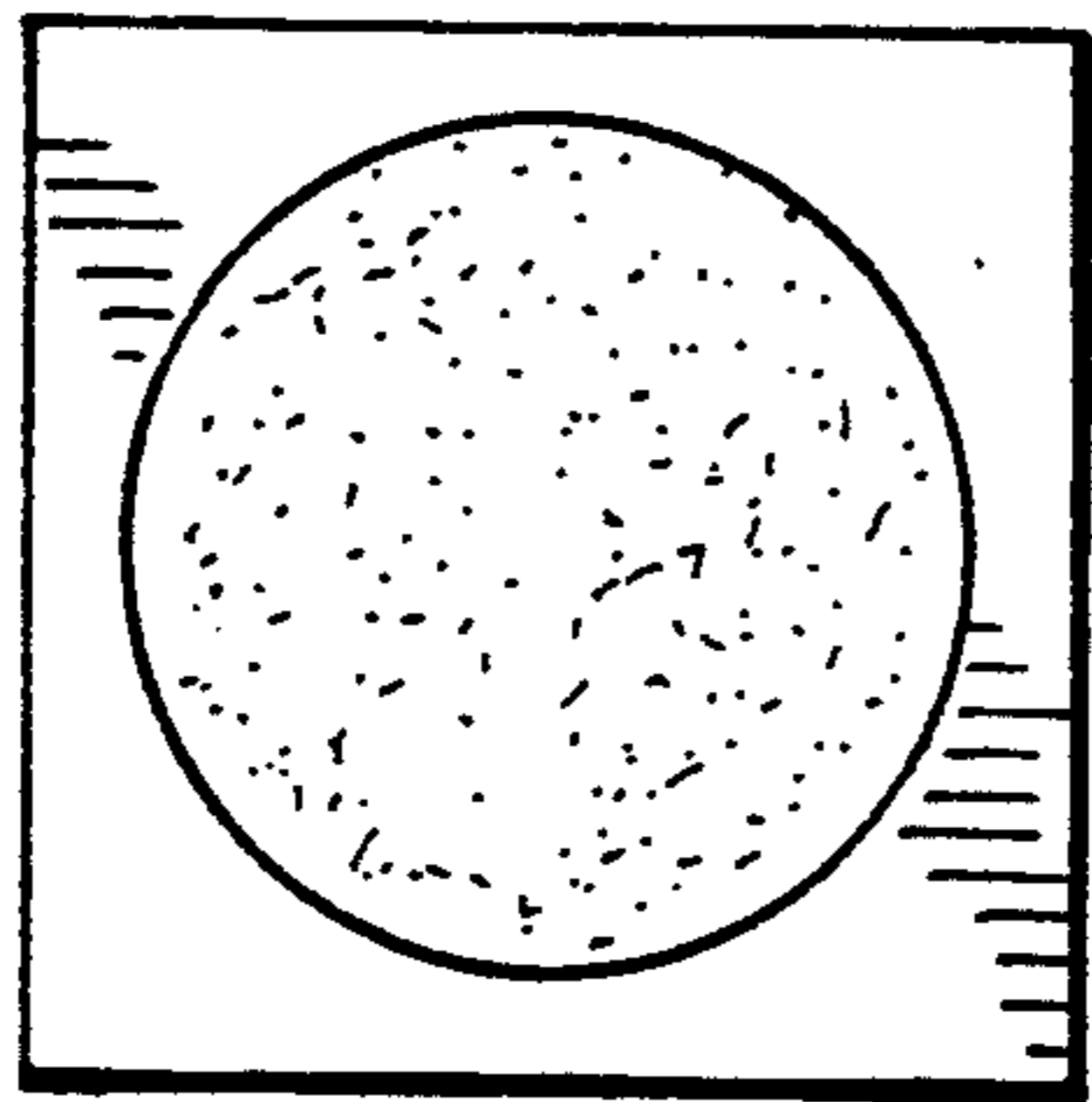


FIG. 9

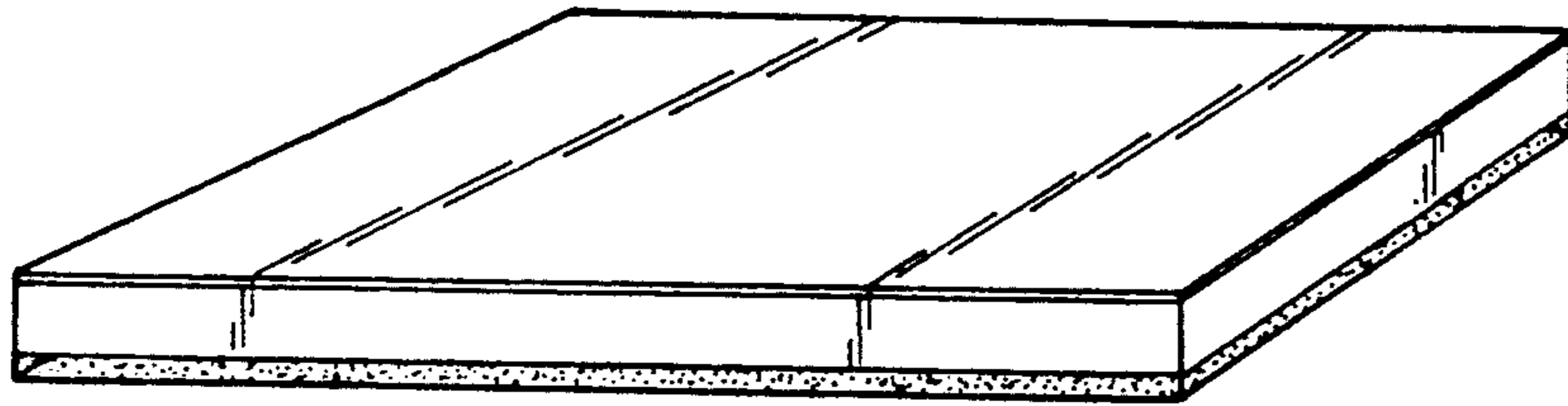


FIG. 5

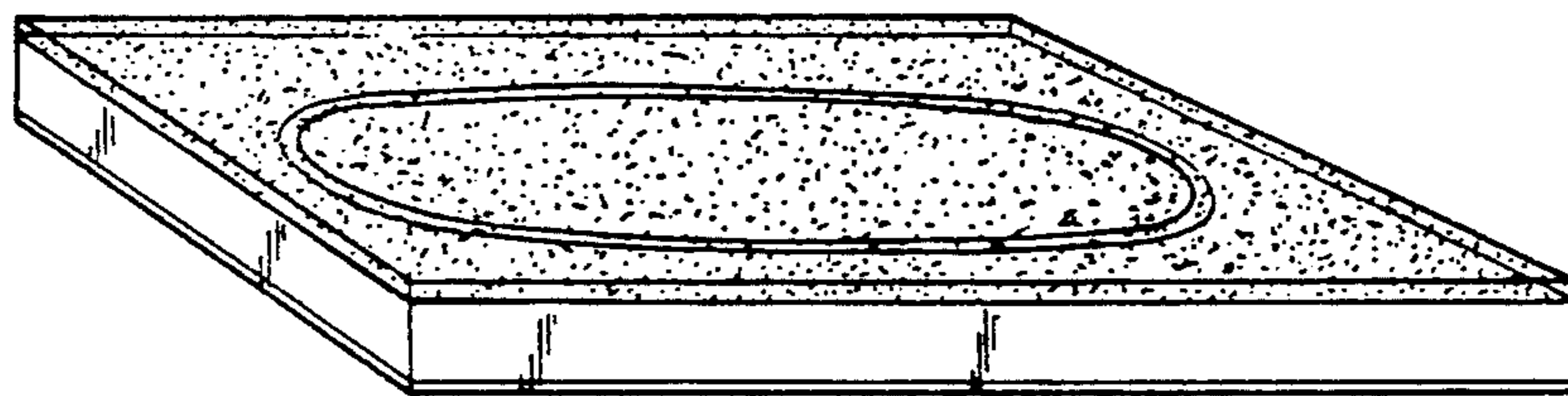


FIG. 6

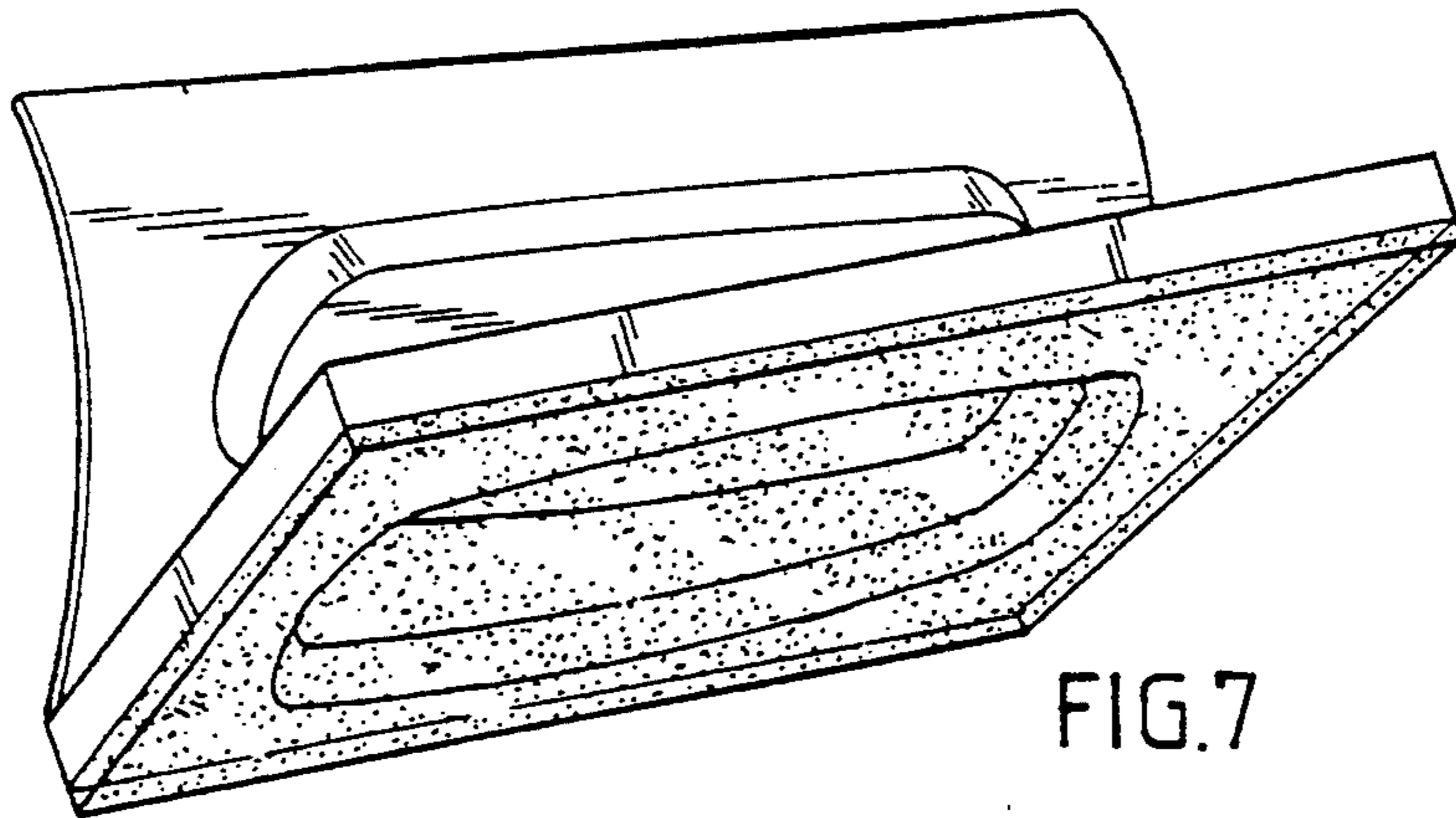


FIG. 7

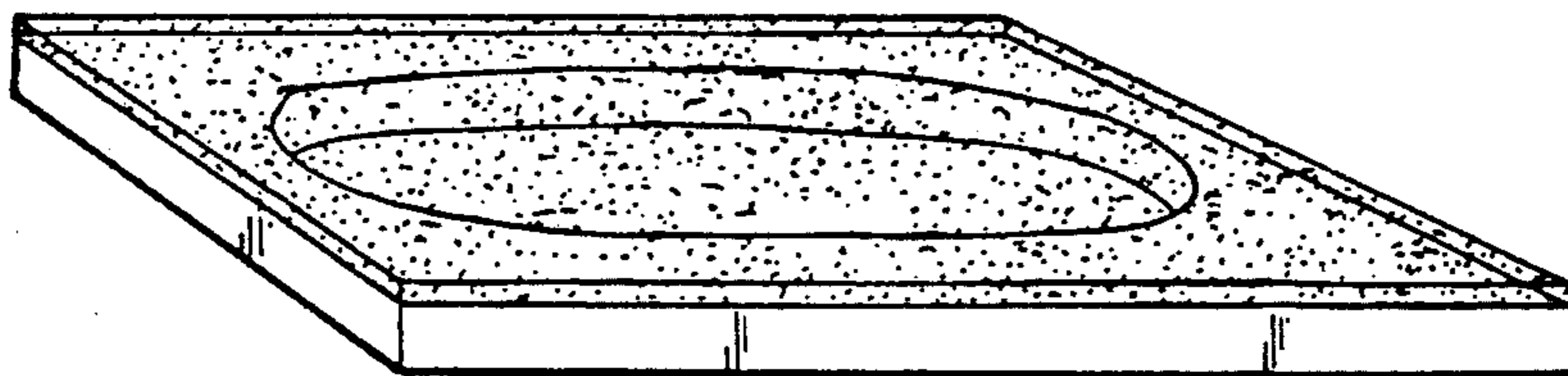


FIG. 8