



US00D342317S

United States Patent [19]

[11] Patent Number: **Des. 342,317**

Orlinsky et al.

[45] Date of Patent: **** Dec. 14, 1993**

[54] VISION TESTER

| | | | |
|------------|---------|--------------------|---------|
| D. 212,647 | 11/1968 | Minas | D24/172 |
| D. 298,457 | 11/1988 | Minkin et al. | D24/172 |
| 3,277,888 | 10/1966 | Otwell | 351/203 |

[75] Inventors: **Myron Orlinsky**, North Miami Beach, Fla.; **George Krubski**, Towaco, N.J.; **Leon Chang**, Fresh Meadows, N.Y.

Primary Examiner—Stella Reid
Attorney, Agent, or Firm—Darby & Darby

[73] Assignee: **VSI International, Inc.**, Fort Lauderdale, Fla.

[57] **CLAIM**

The ornamental design for a vision tester, as shown and described.

[**] Term: **14 Years**

DESCRIPTION

[21] Appl. No.: **773,687**

FIG. 1 is a perspective view of a vision tester, showing our new design;
 FIG. 2 is a top plan view thereof;
 FIG. 3 is a front elevational view thereof, the rear being plain and unornamented;
 FIG. 4 is a side elevational view thereof, the opposite side elevational view being identical thereto;
 FIG. 5 is a bottom plan view thereof; and,
 FIG. 6 is a cross-sectional view taken along line 6—6 of FIG. 2.

[22] Filed: **Oct. 7, 1991**

[52] U.S. Cl. **D24/172**

[58] Field of Search **D24/172; 351/243, 233, 351/244, 239, 237, 213, 224**

[56] **References Cited**

U.S. PATENT DOCUMENTS

D. 207,675 5/1967 Hermann D24/172

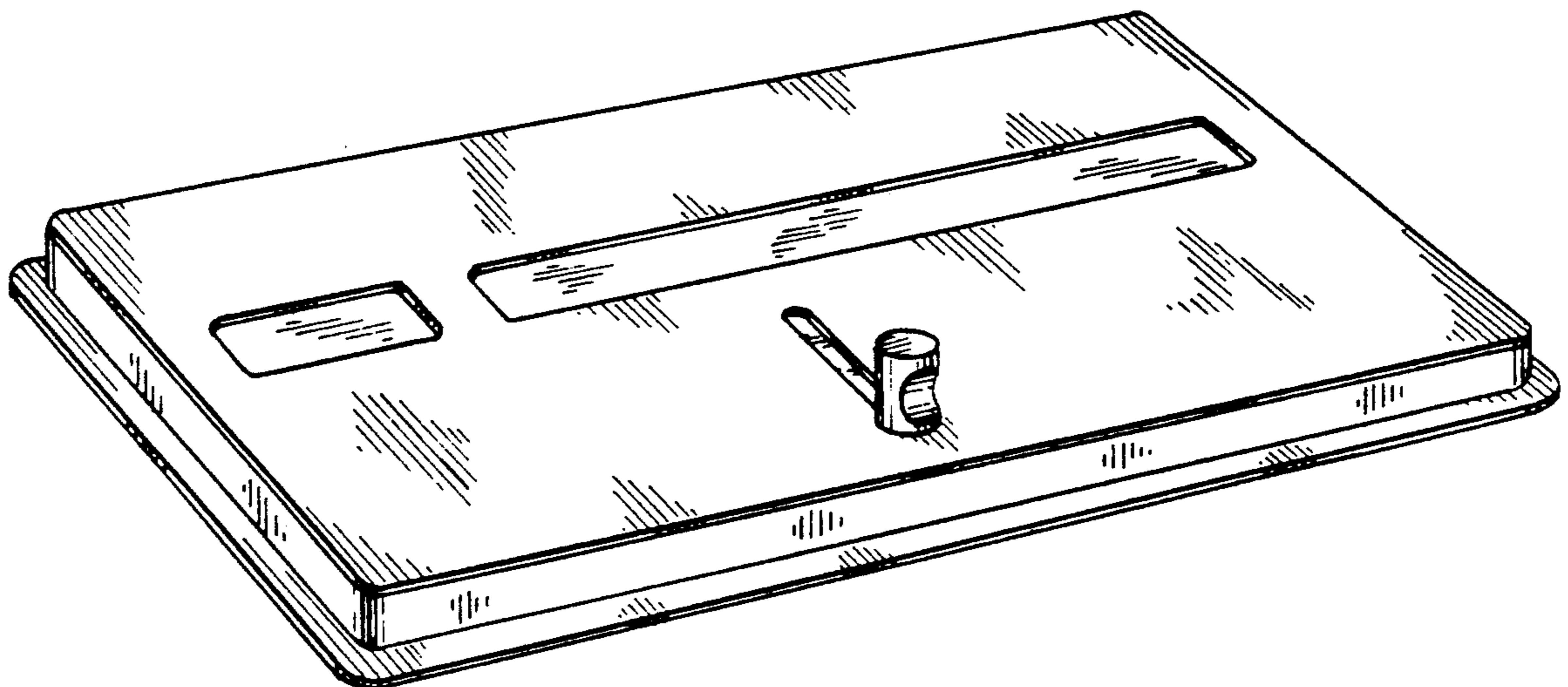


FIG. 1

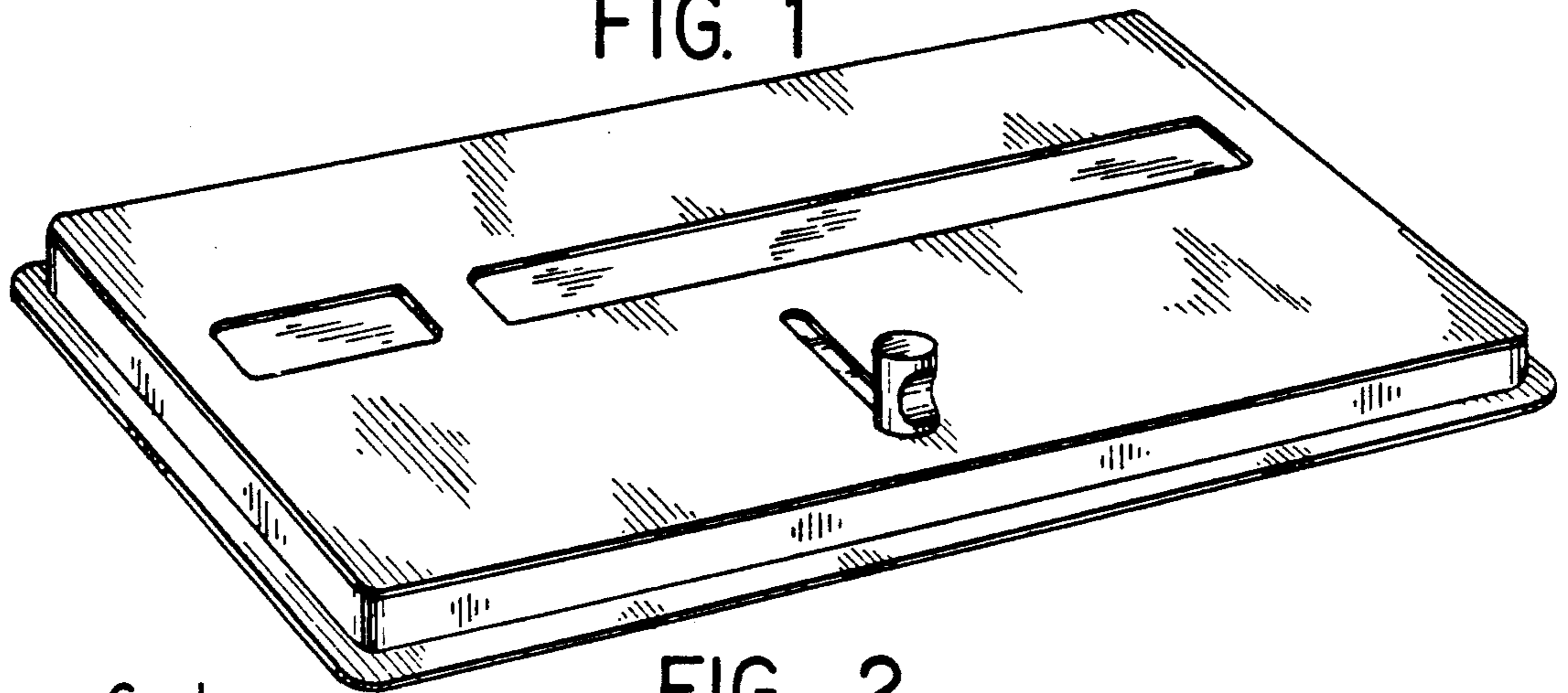


FIG. 2

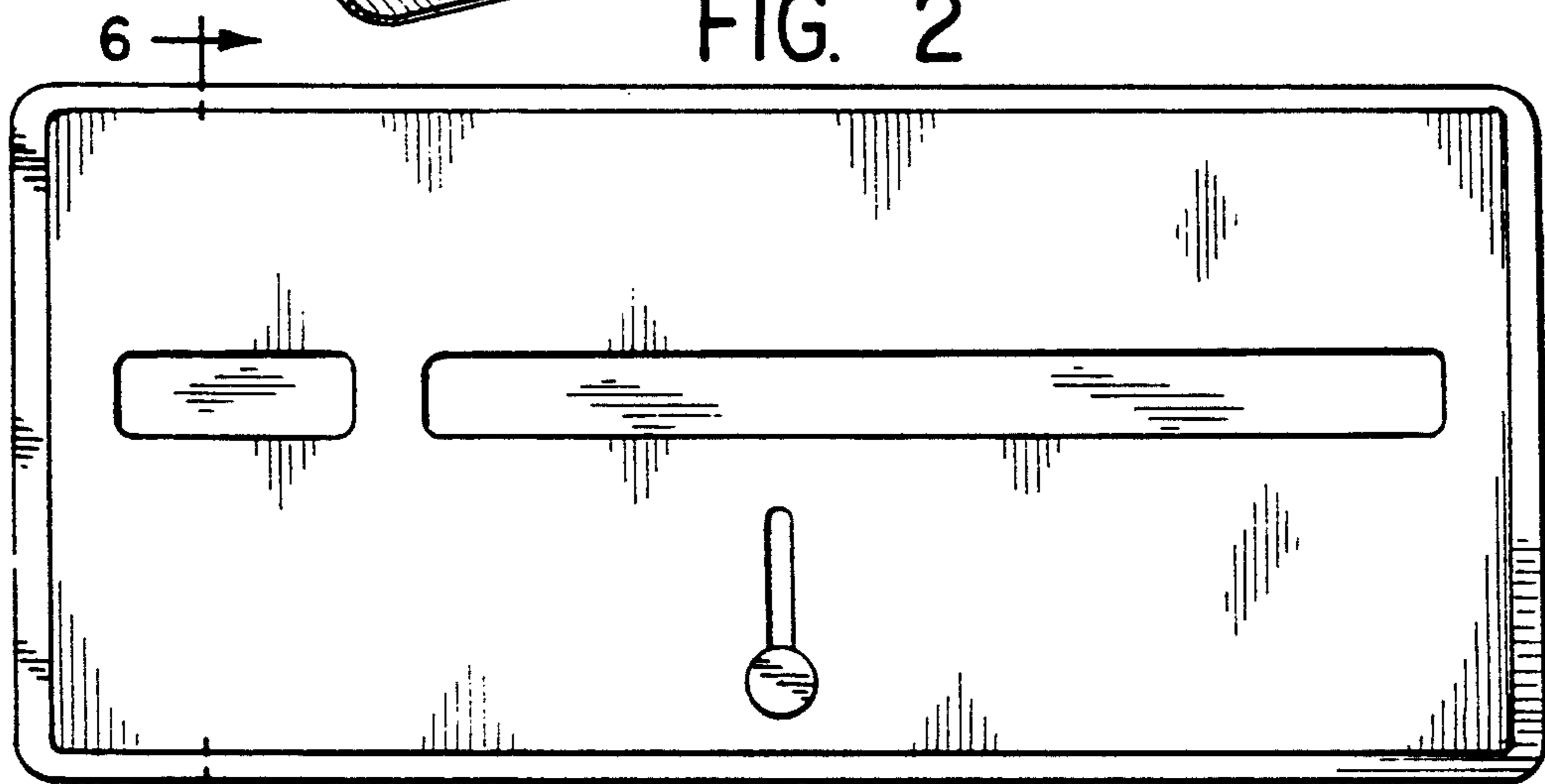


FIG. 3

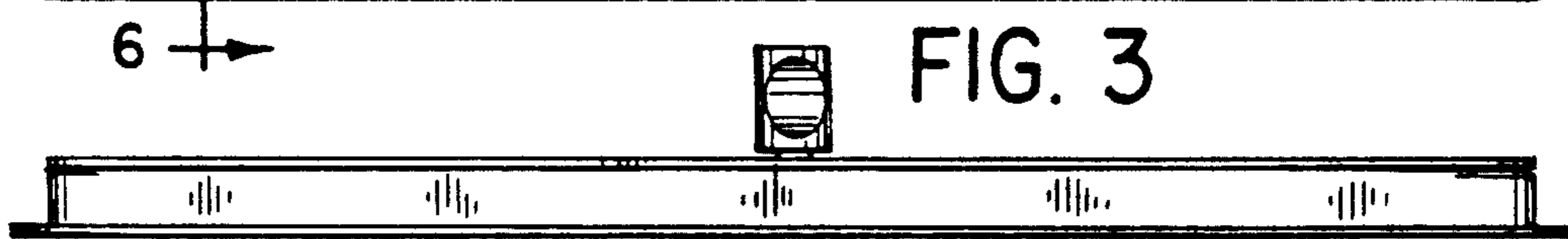


FIG. 4



FIG. 5

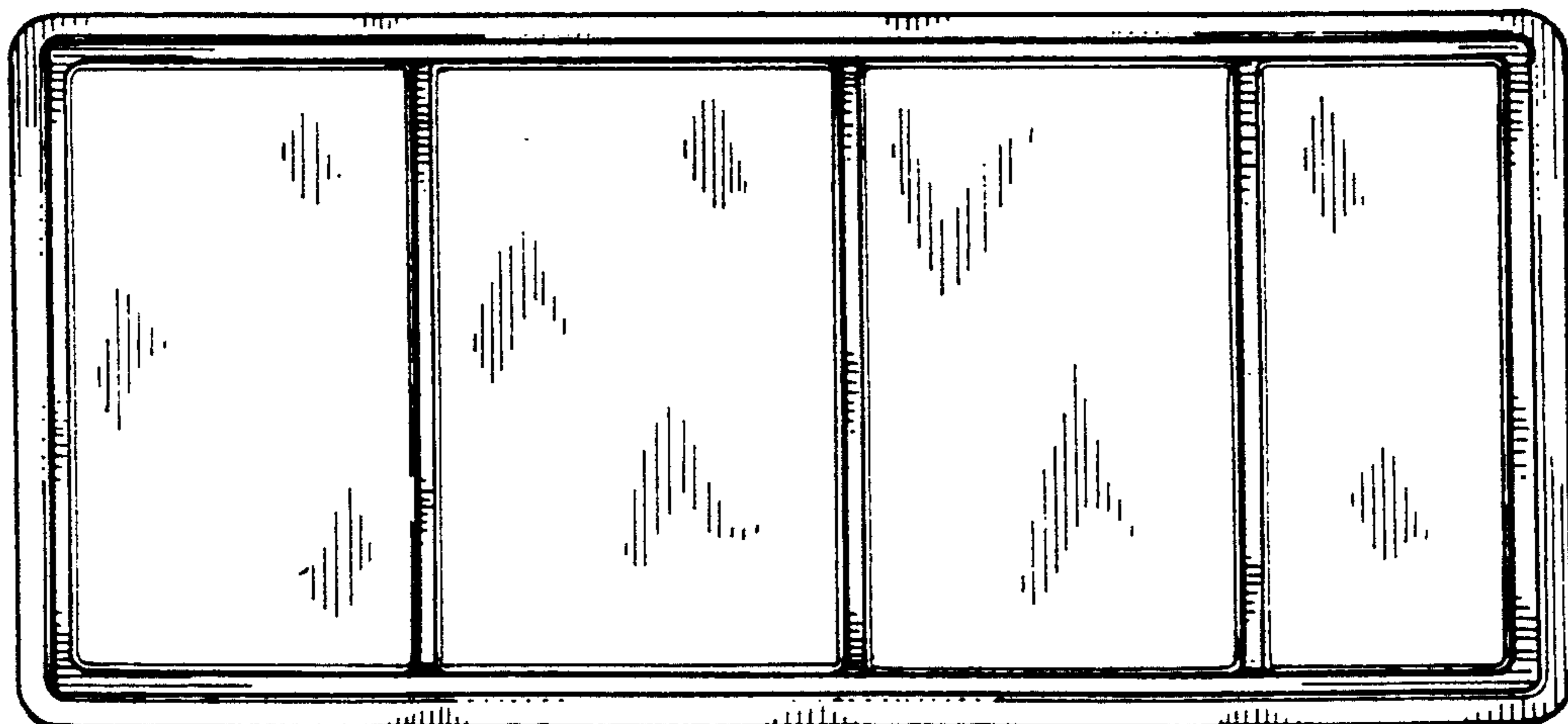


FIG. 6

