



US00D342312S

United States Patent [19]

[11] Patent Number: **Des. 342,312**

Pastrone et al.

[45] Date of Patent: **** Dec. 14, 1993**

[54] **PUMP CASSETTE**

4,927,411 5/1990 Pastrone et al. 604/153 X

[75] Inventors: **Giovanni Pastrone, Los Gatos; Peter A. Holst, Castro Valley, both of Calif.**

Primary Examiner—Stella Reid
Attorney, Agent, or Firm—Lonnie R. Drayer; Donald O. Nickey

[73] Assignee: **Abbott Laboratories, Abbott Park, Ill.**

[57] **CLAIM**

The ornamental design for a pump cassette, as shown and described.

[**] Term: **14 Years**

[21] Appl. No.: **817,254**

DESCRIPTION

[22] Filed: **Jan. 6, 1992**

[52] U.S. Cl. **D24/111**

[58] Field of Search **D24/111, 108, 107; 604/34, 35, 30, 119, 153, 249**

FIG. 1 is a top, front perspective view of a pump cassette, showing our new design;
FIG. 2 is a bottom, rear perspective view thereof;
FIG. 3 is a top plan view thereof;
FIG. 4 is a cross-sectional view thereof taken along line 4—4 of FIG. 3;
FIG. 5 is a bottom plan view thereof;
FIG. 6 is an end elevational view thereof;
FIG. 7 is a top, front perspective view of an alternate embodiment of the pump cassette;
FIG. 8 is a bottom rear perspective view thereof;
FIG. 9 is a top plan view thereof;
FIG. 10 is a cross-sectional view thereof taken along line 10—10 of FIG. 9;
FIG. 11 is a bottom plan view thereof; and,
FIG. 12 is an end elevational view thereof.

[56] **References Cited**

U.S. PATENT DOCUMENTS

D. 270,089	8/1983	Veelka	D24/111
D. 290,656	6/1987	Kaleskas	D24/111
D. 305,150	12/1989	Pastrone	D24/111
D. 331,799	12/1992	Kramer et al.	D24/111
D. 336,956	6/1993	Jen	D24/111 X
4,713,051	12/1987	Steppe et al.	604/34 X
4,798,580	1/1989	DeMeo et al.	604/153 X
4,821,558	4/1989	Pastrone et al.	73/19
4,842,584	6/1989	Pastrone et al.	604/50

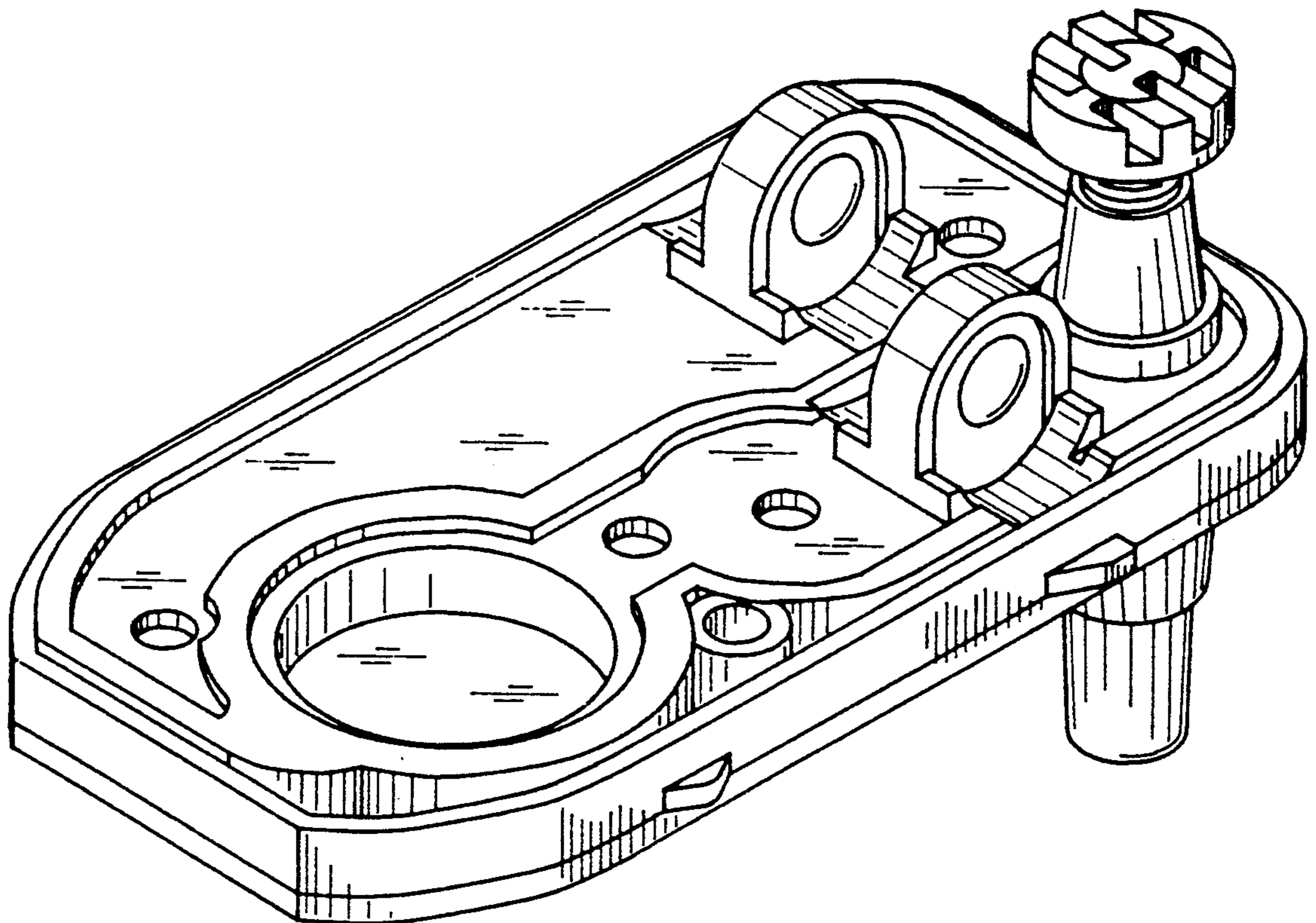


FIG-1

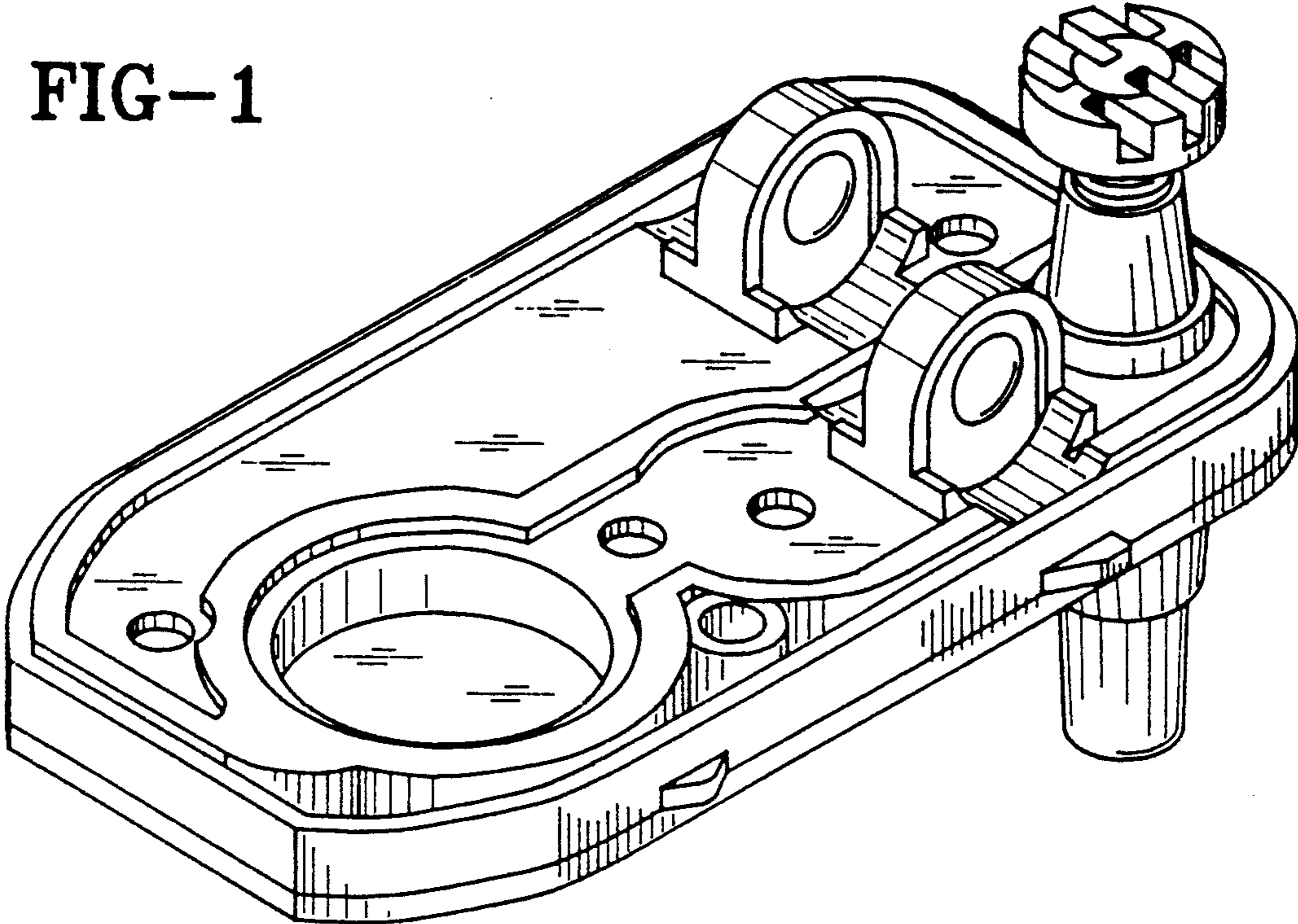
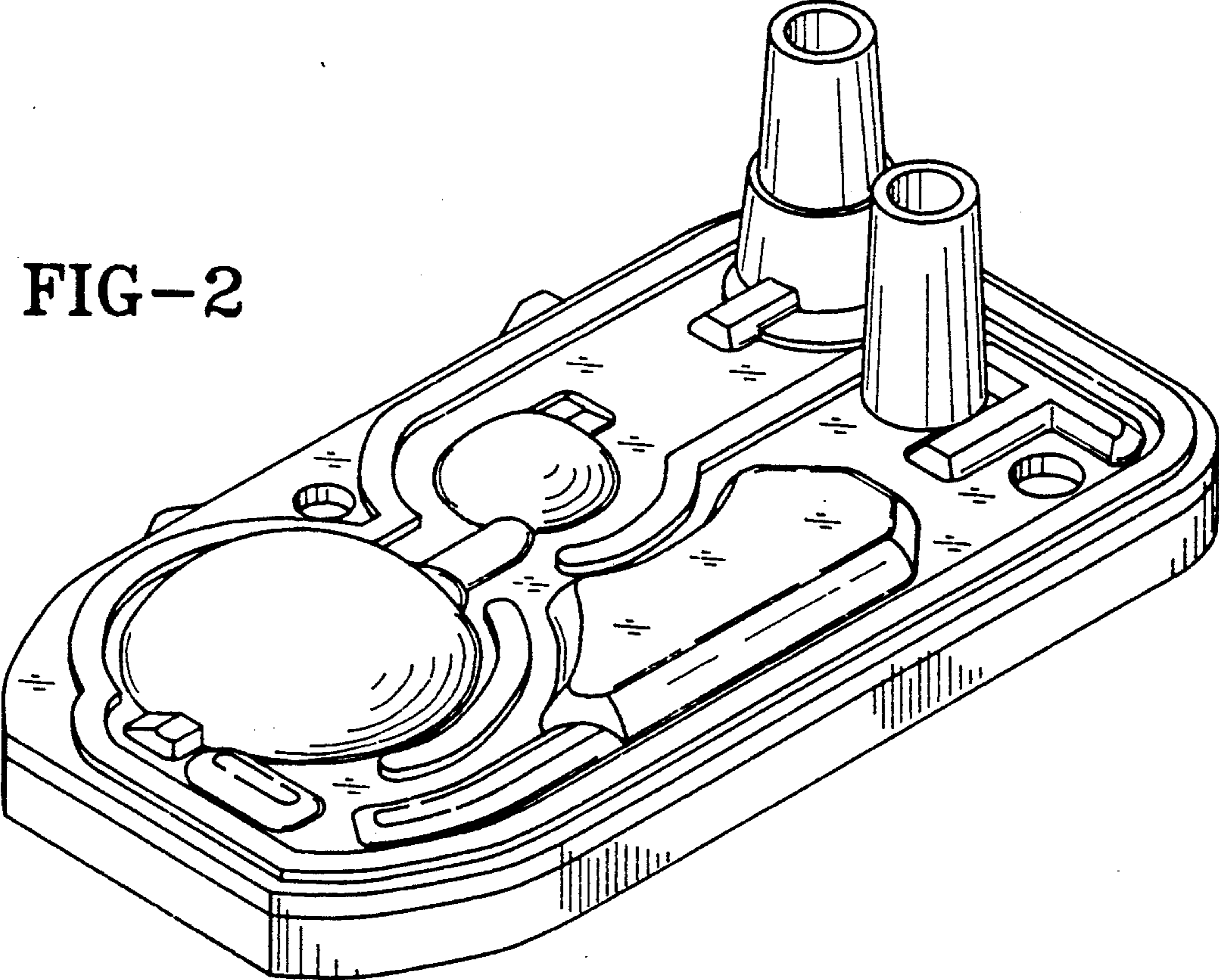


FIG-2



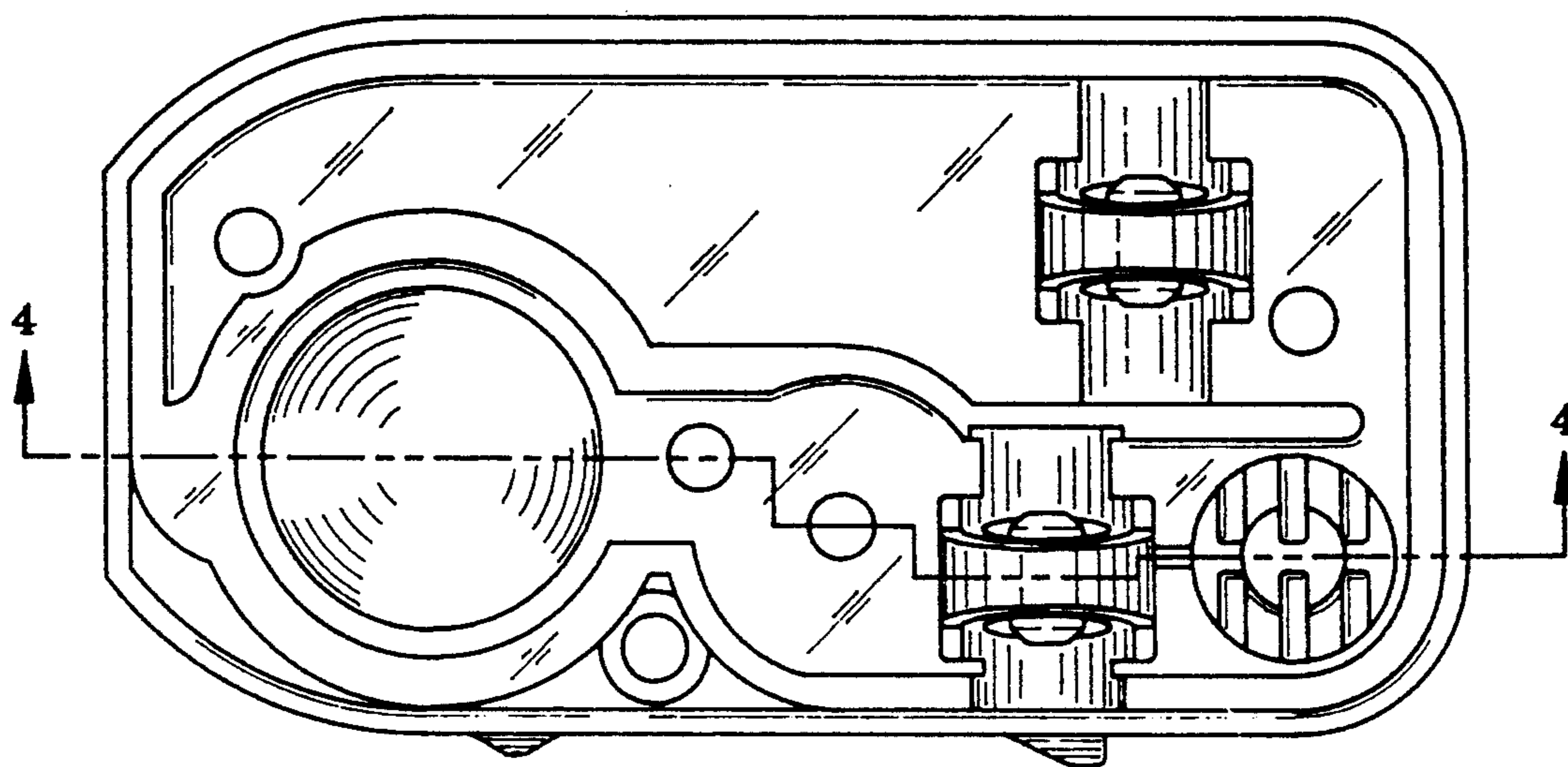


FIG-3

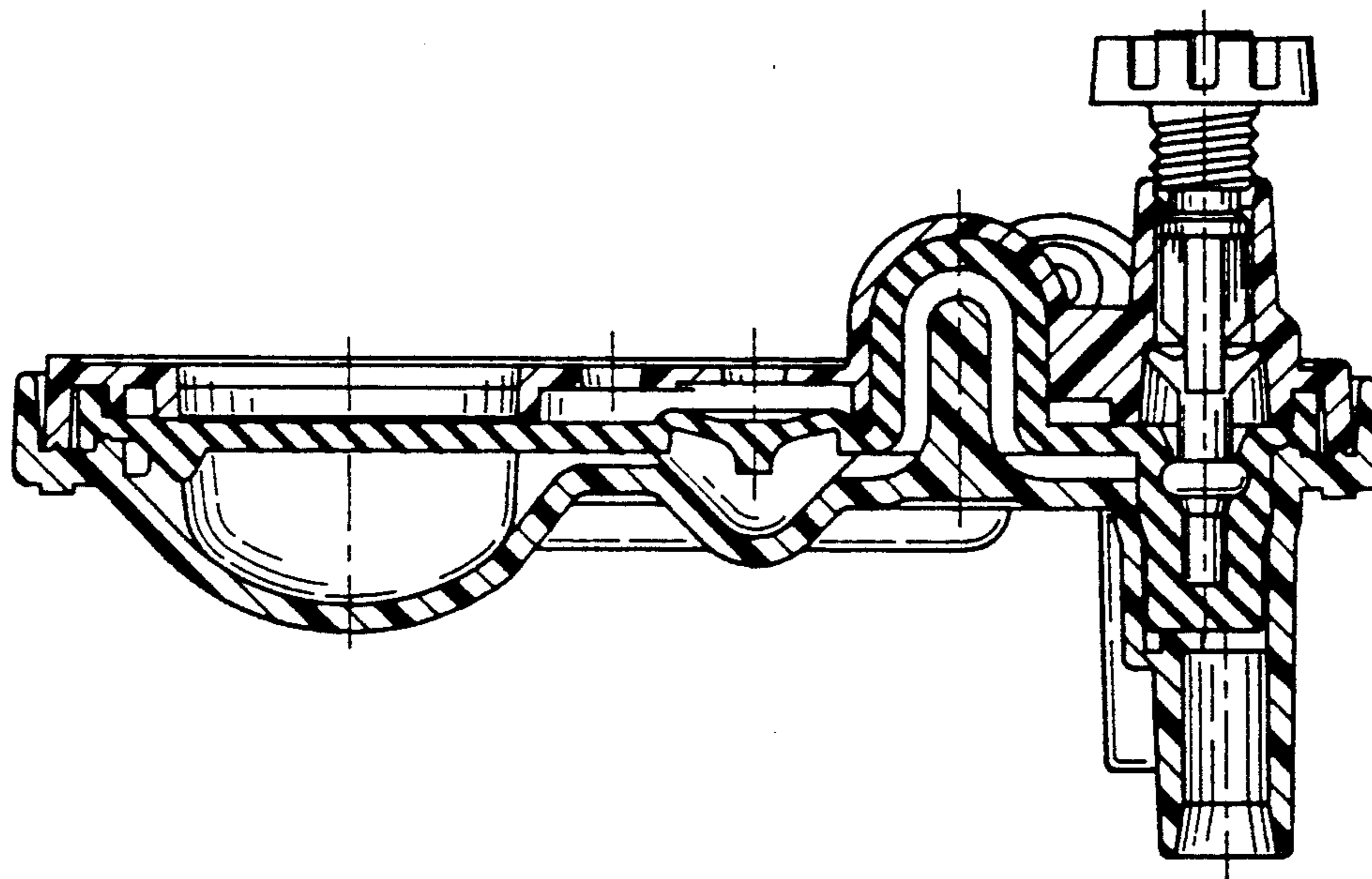


FIG-4

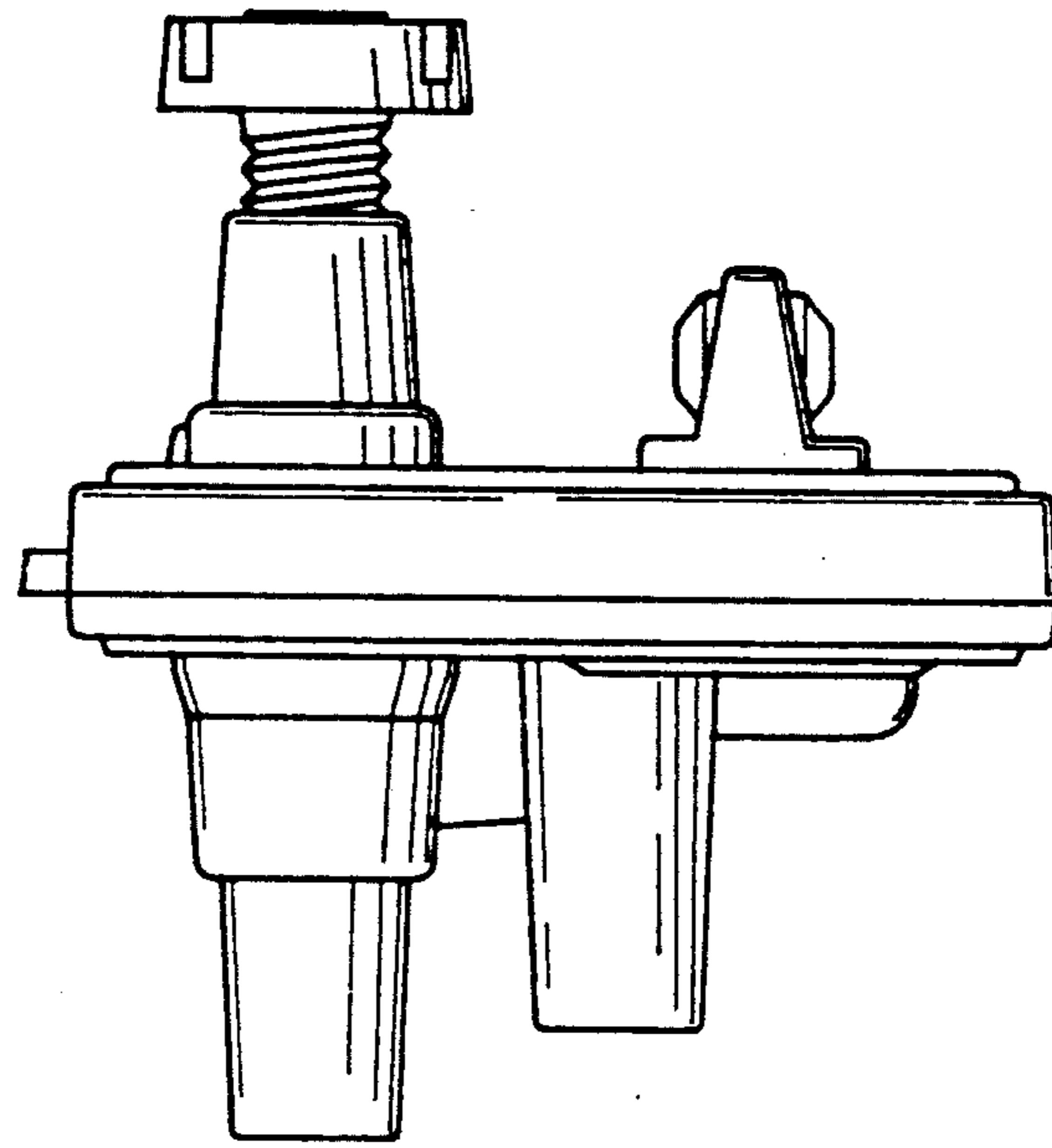


FIG-6

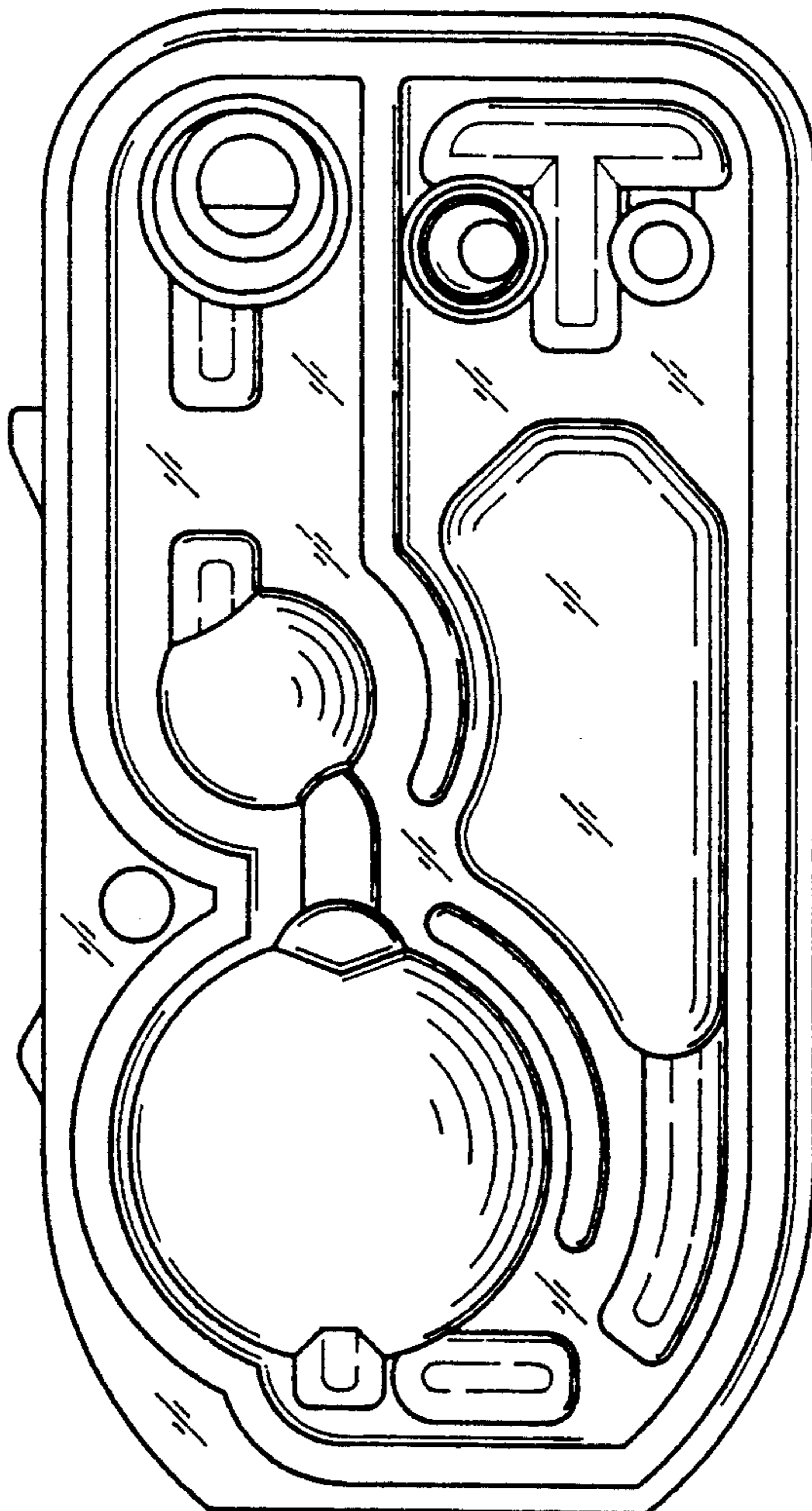


FIG-5

FIG-7

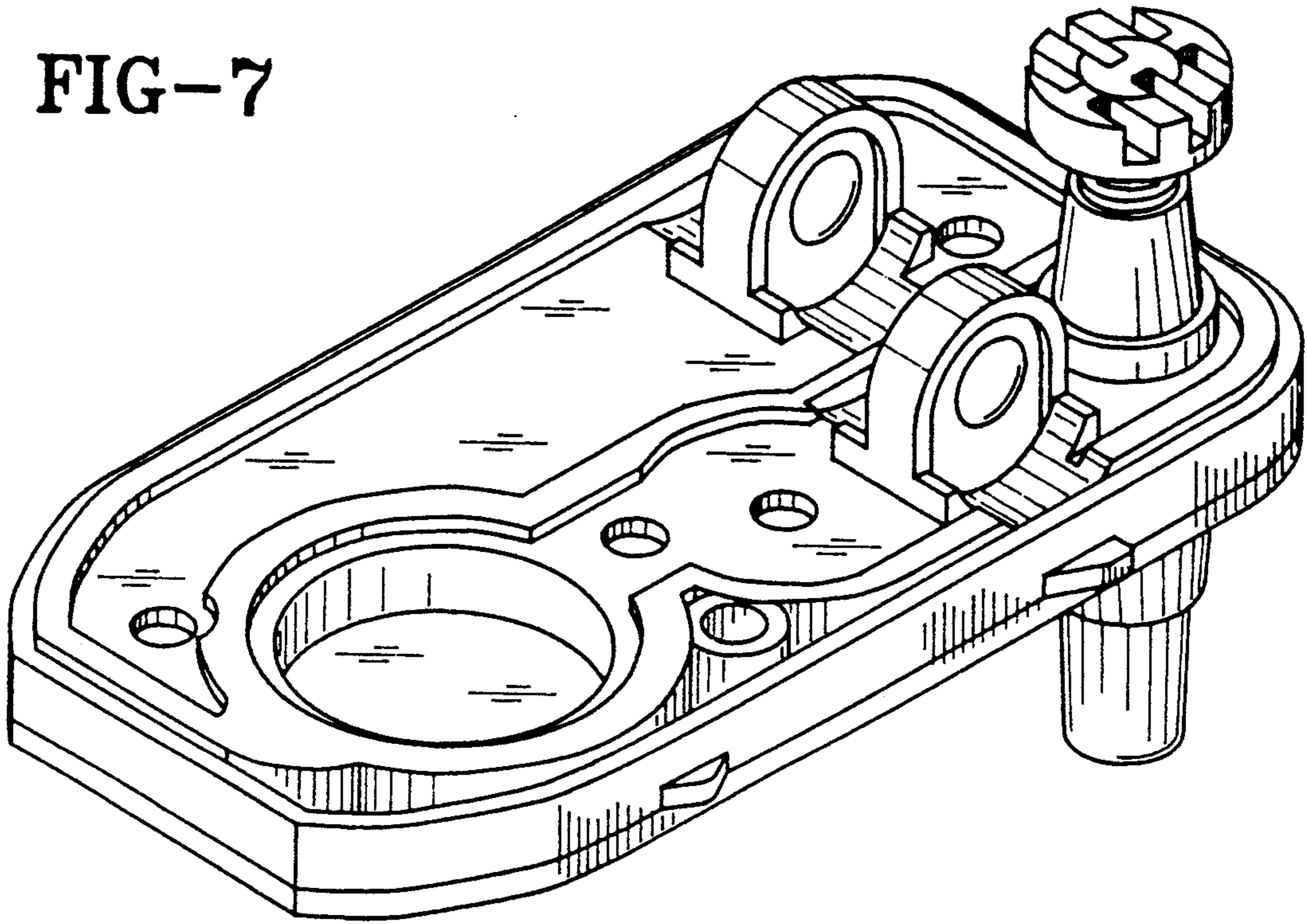
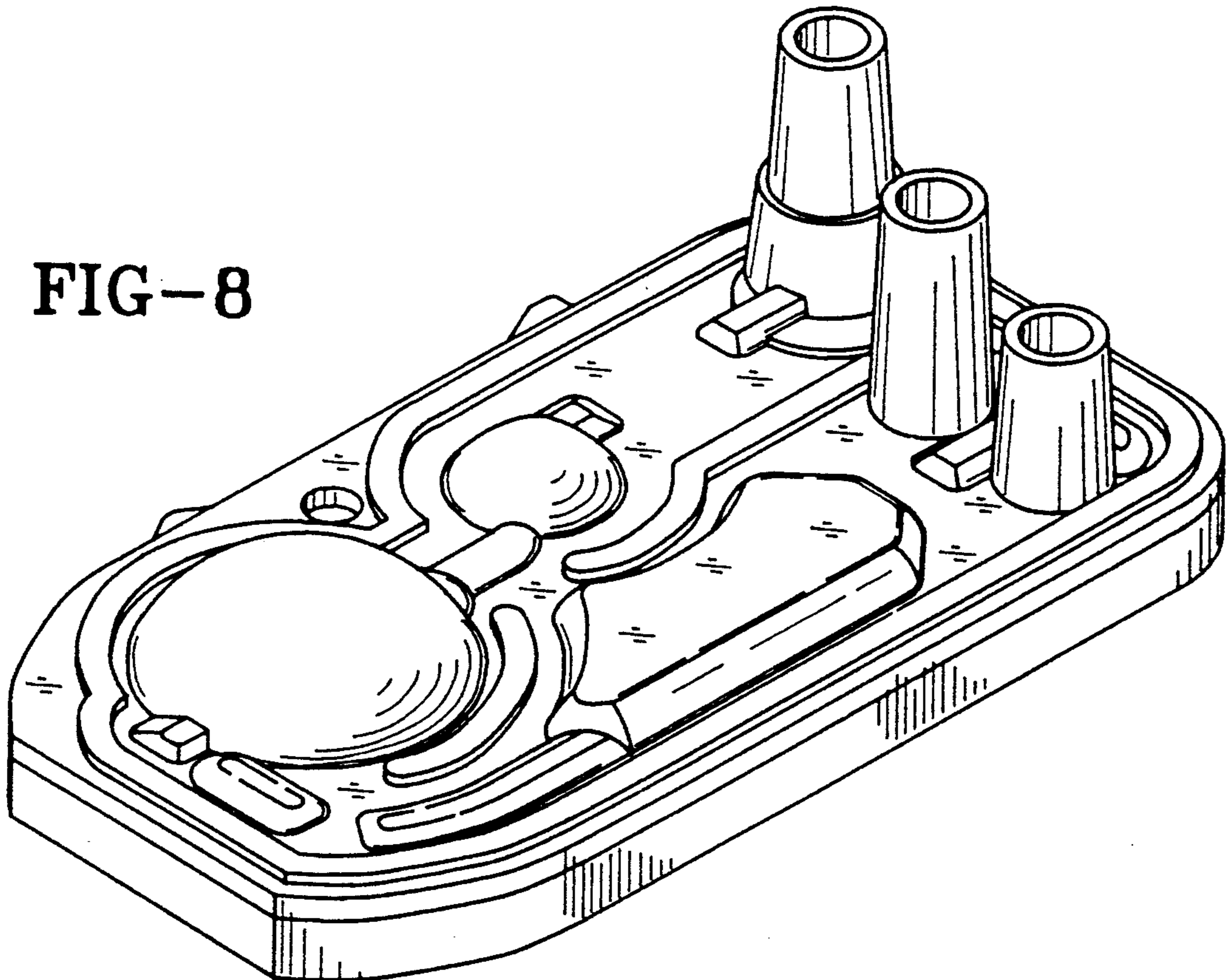


FIG-8



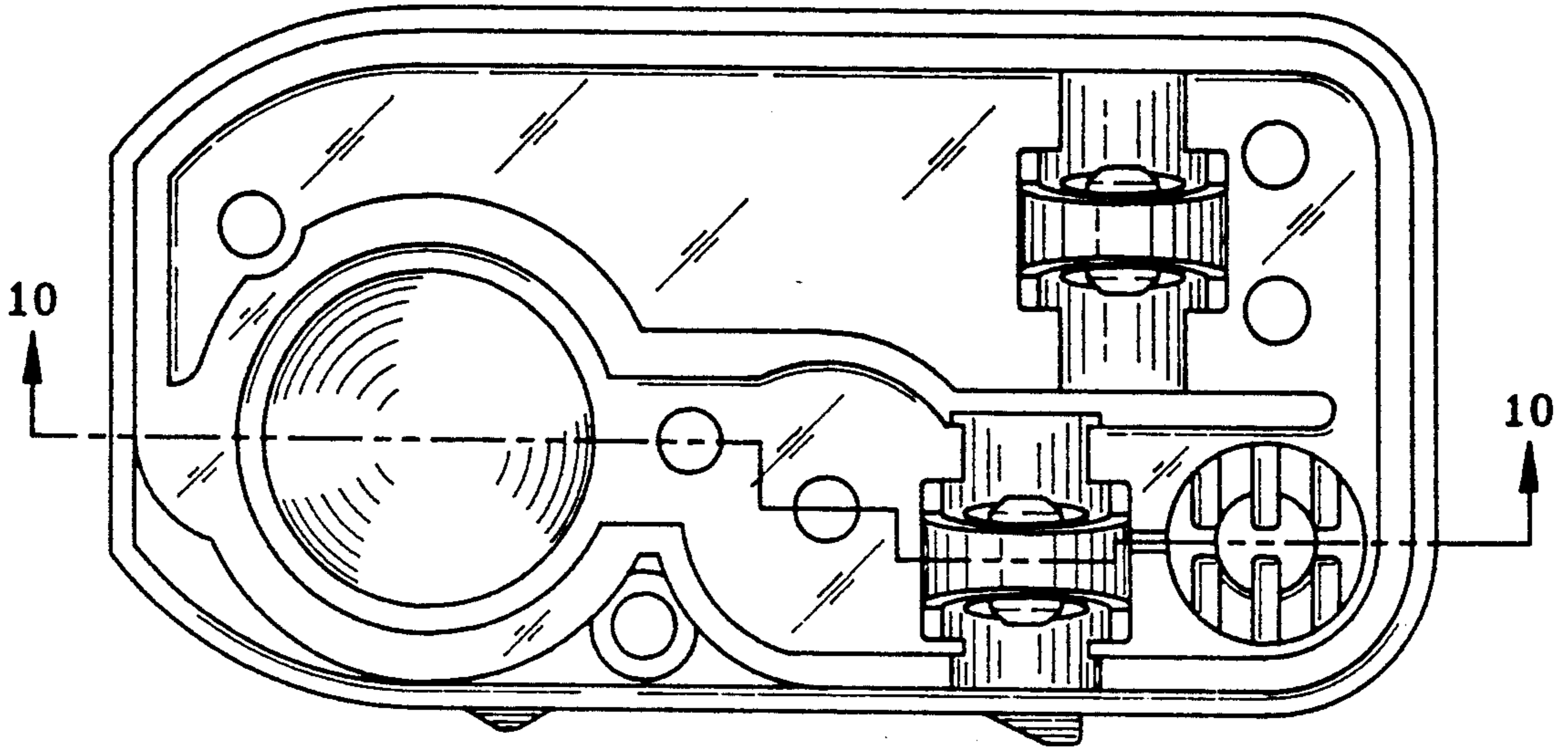


FIG-9

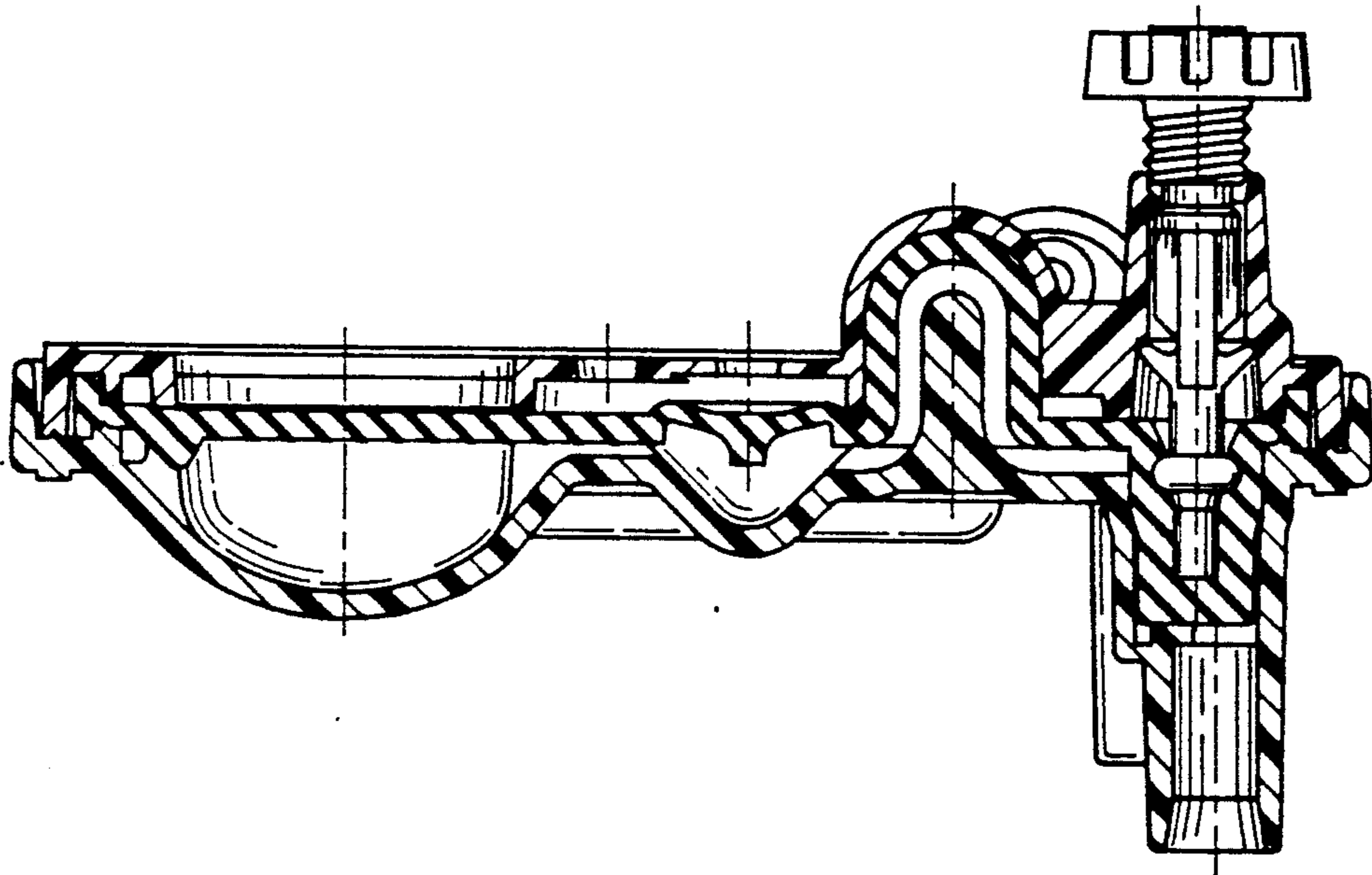


FIG-10

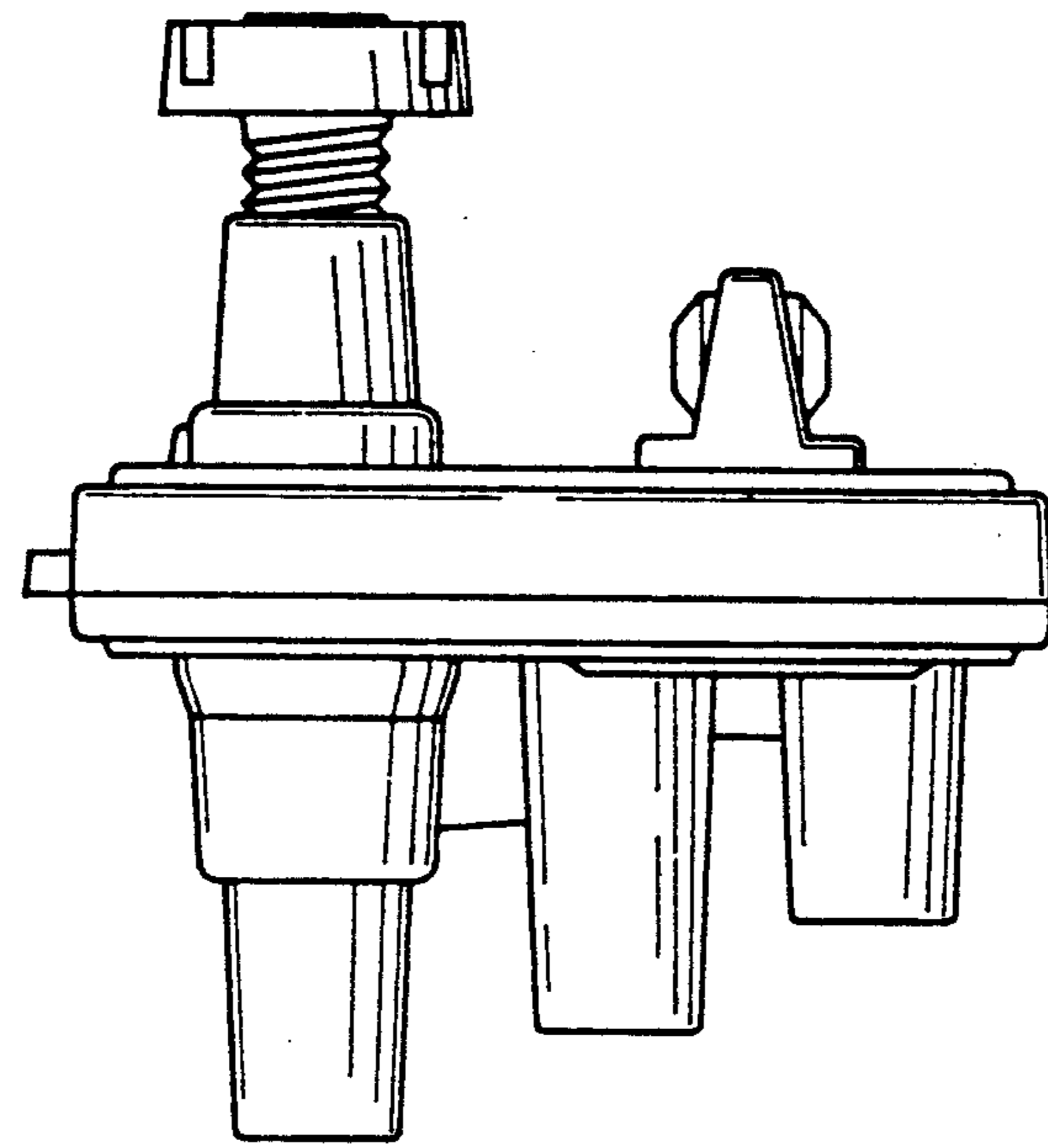


FIG-12

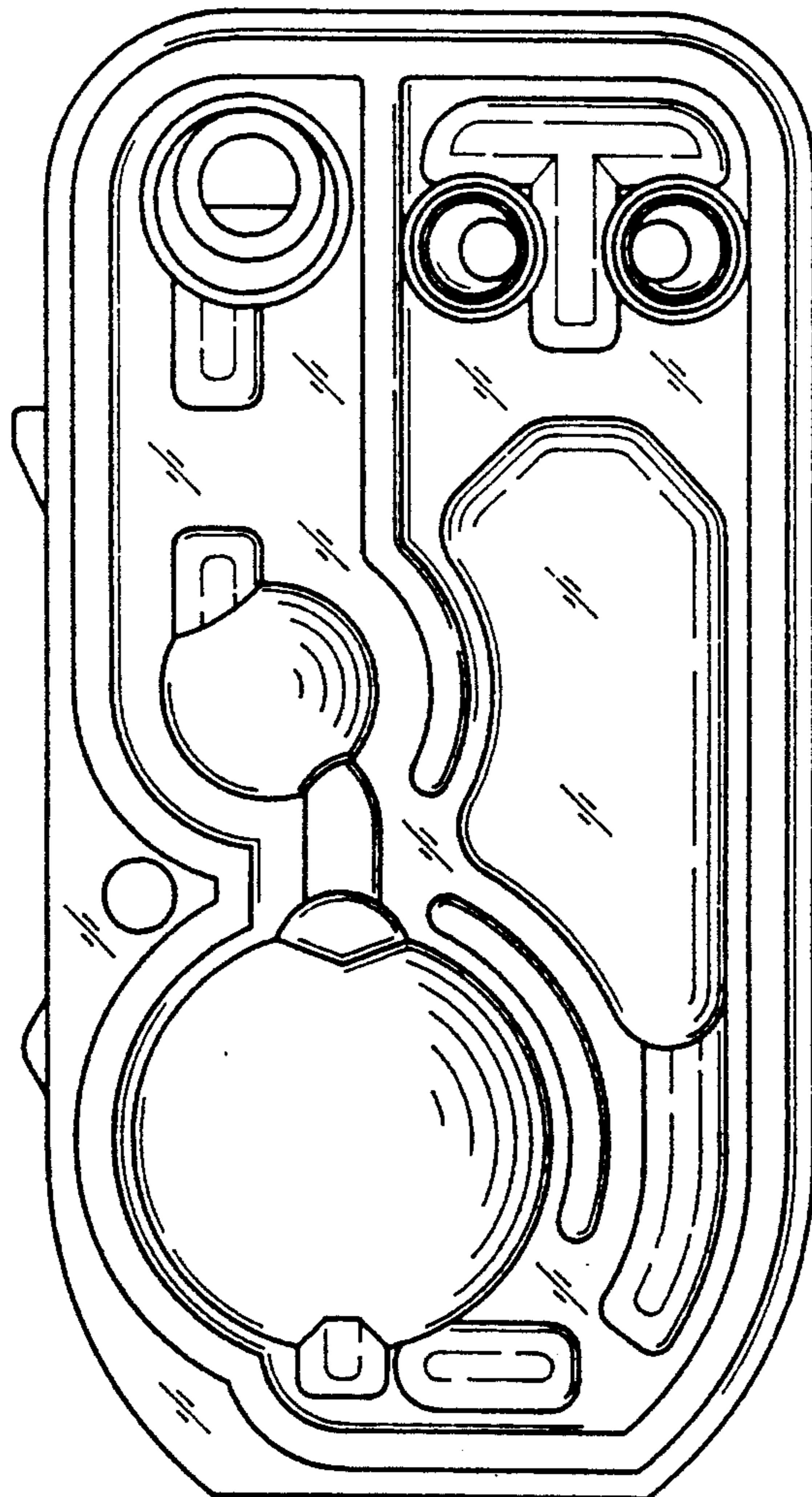


FIG-11