



US00D342311S

# United States Patent [19]

[11] Patent Number: **Des. 342,311**

**Rezek**

[45] Date of Patent: **\*\* Dec. 14, 1993**

[54] **COMBINED CEILING FAN AND LIGHT**

[56] **References Cited**

[75] Inventor: **Ron Rezek, Los Angeles, Calif.**

### U.S. PATENT DOCUMENTS

D. 270,942	10/1983	McCain	.....	D23/379
D. 328,638	8/1992	Hsieh	.....	D23/377
4,884,947	12/1989	Rezek	.....	416/5

[73] Assignee: **Beverly Hills Fan Company, Woodland Hills, Calif.**

### FOREIGN PATENT DOCUMENTS

967171 10/1950 France ..... 416/244

[\*\*] Term: **14 Years**

*Primary Examiner*—Wallace R. Burke  
*Assistant Examiner*—Lisa Lichtenstein  
*Attorney, Agent, or Firm*—Rothwell, Figg, Ernst & Kurz

[21] Appl. No.: **3,585**

### [57] CLAIM

[22] Filed: **Jan. 8, 1993**

The ornamental design of a combined ceiling fan and light, as shown and described.

### Related U.S. Application Data

### DESCRIPTION

[63] Continuation-in-part of Ser. No. 817,411, Jan. 6, 1992, abandoned.

[52] U.S. Cl. .... D23/377; D23/379; D23/385

[58] Field of Search ..... D23/328, 370, 377, 379, D23/385; 416/5; 392/364; 362/96

FIG. 1 is a perspective view of the combined ceiling fan and light new design, as seen from below;

FIG. 2 is a side elevational view which would be identical to the view as seen from all four sides;

FIG. 3 is a bottom plan view; and,

FIG. 4 is a top plan view.

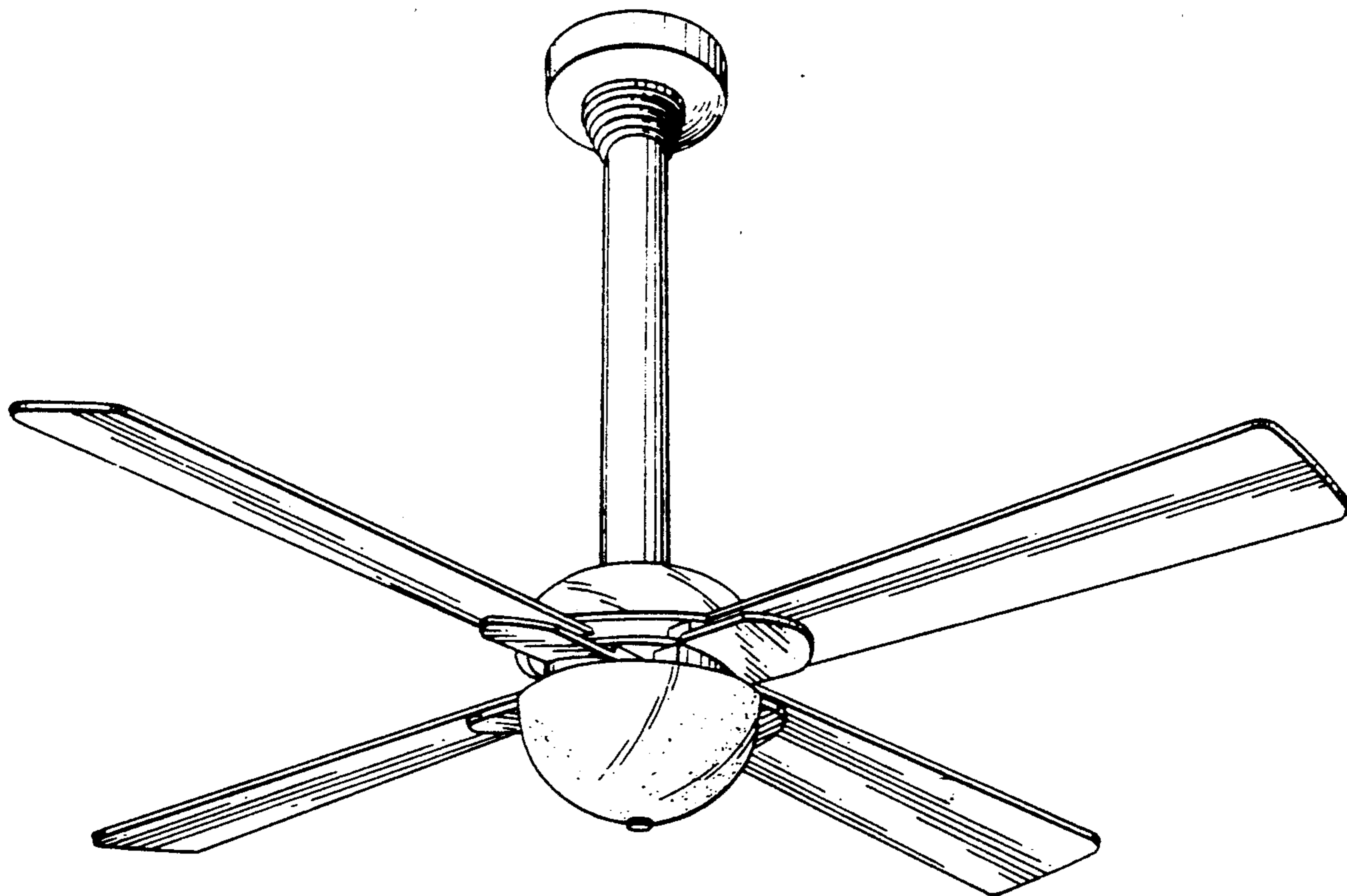


FIG. 1

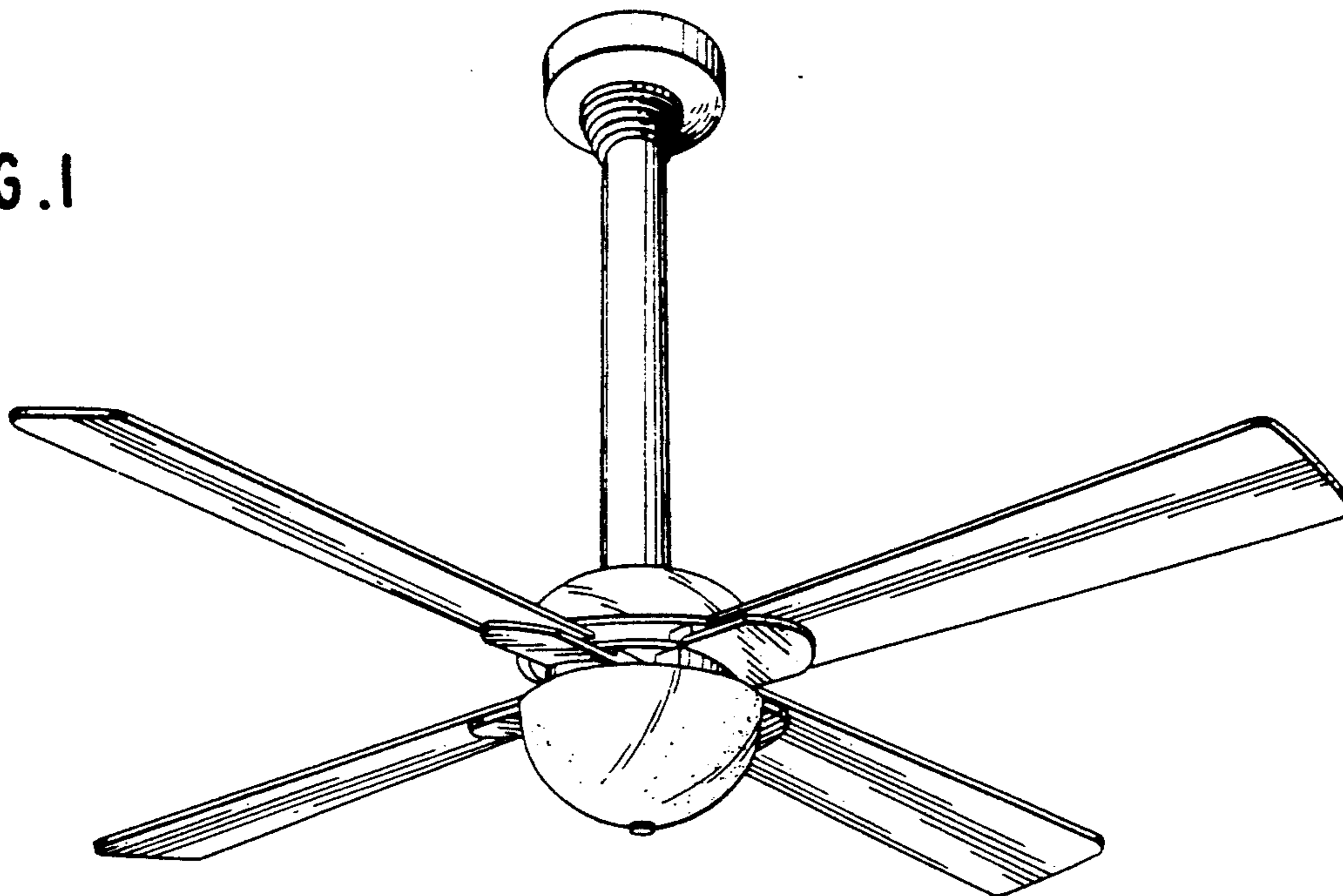


FIG. 2

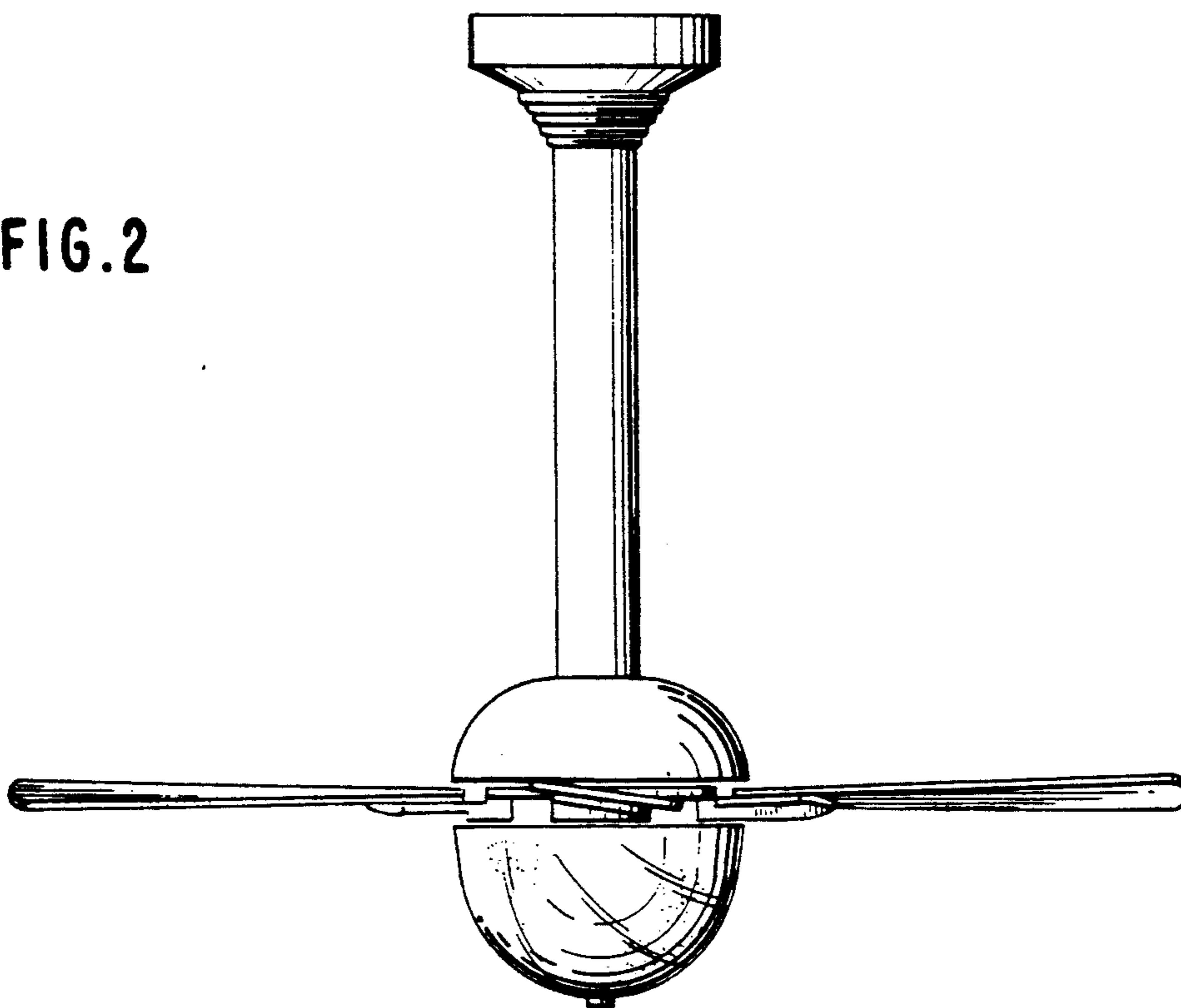


FIG. 3

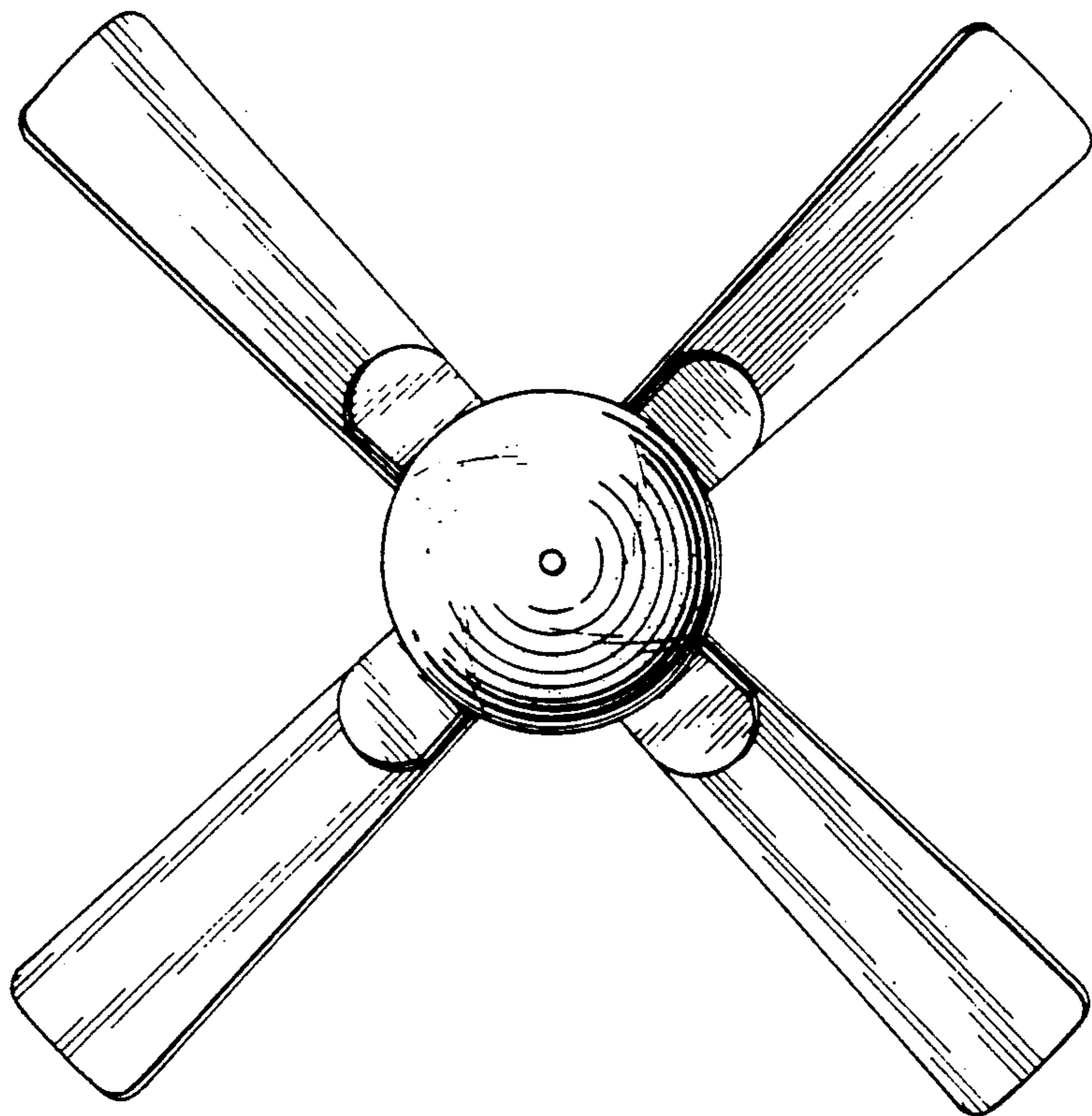
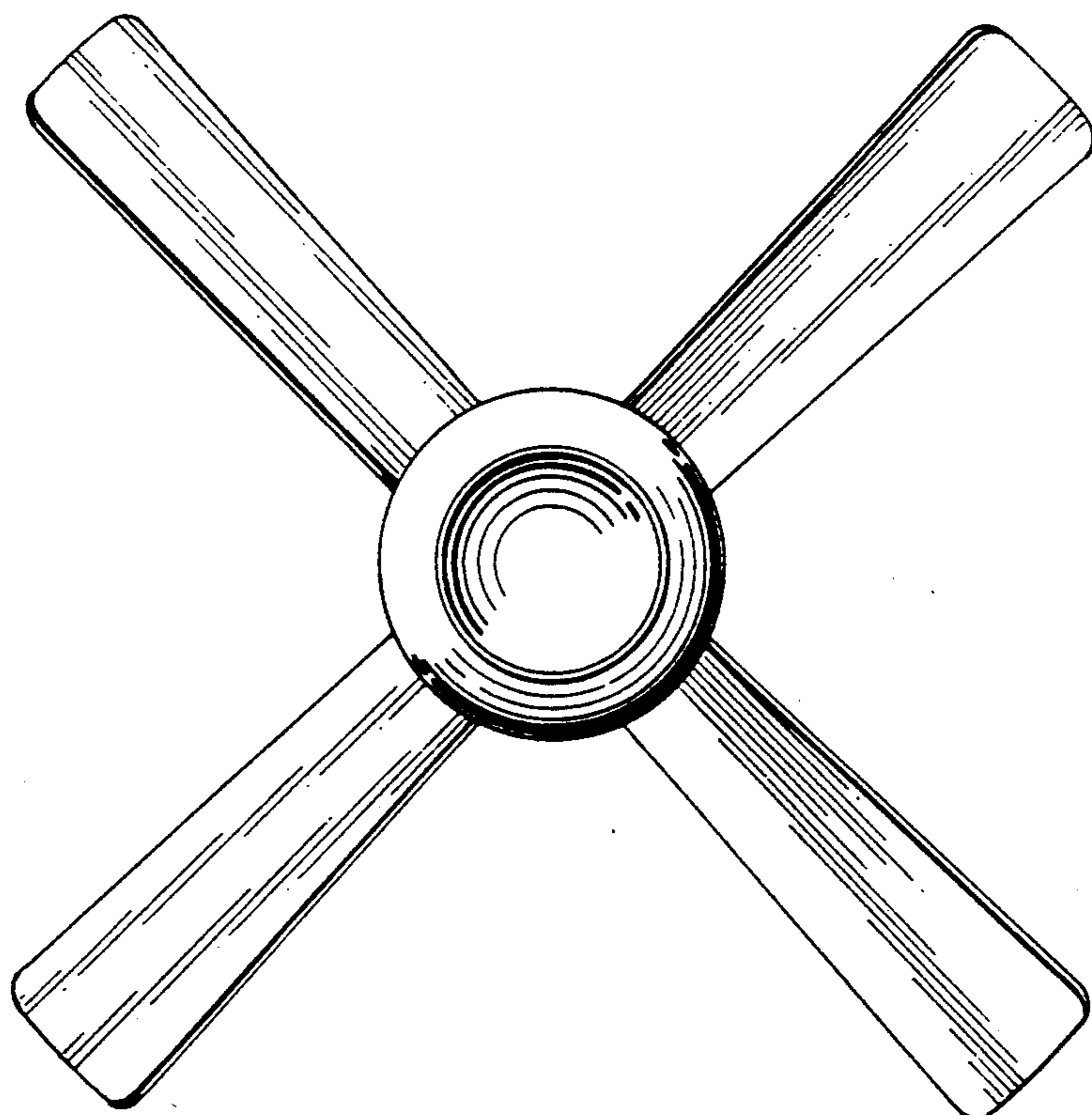


FIG. 4



UNITED STATES PATENT AND TRADEMARK OFFICE  
**CERTIFICATE OF CORRECTION**

PATENT NO. : Des. 342,311  
DATED : December 14, 1993  
INVENTOR(S) : Ron REZEK

It is certified that error appears in the above-identified patent and that said Letters Patent is hereby corrected as shown below:

On the title page, under "DESCRIPTION", line 2, insert --of my-- after "light".

Signed and Sealed this  
Twenty-first Day of June, 1994

Attest:



BRUCE LEHMAN

Attesting Officer

Commissioner of Patents and Trademarks