



US00D342308S

**United States Patent** [19]  
**McKeone**

[11] **Patent Number: Des. 342,308**  
[45] **Date of Patent: \*\* Dec. 14, 1993**

[54] **SPOUT**

[75] **Inventor: William C. McKeone, Sheboygan, Wis.**

[73] **Assignee: Kohler Co., Kohler, Wis.**

[\*\*] **Term: 14 Years**

[21] **Appl. No.: 824,194**

[22] **Filed: Jan. 22, 1992**

[52] **U.S. Cl. .... D23/257**

[58] **Field of Search .... D23/238-243, D23/255-257; 4/688, 691, 692, 693**

[56] **References Cited**

**U.S. PATENT DOCUMENTS**

D. 265,229	6/1980	Paul .	
D. 273,512	4/1984	Arnolds .....	D23/242
D. 278,271	4/1985	Nieman .....	D23/255
D. 279,598	7/1985	Rademacher .....	D23/255
D. 291,236	8/1987	Delepine .....	D23/242
D. 298,274	10/1988	Fabian .....	D23/242
D. 316,137	4/1991	Razumov .....	D23/242
D. 322,840	12/1991	Rodstein .....	D23/255
4,624,415	11/1986	Hofstetter, Jr. ....	137/801 X
4,757,841	7/1988	Lucas .....	137/801
4,884,596	12/1989	Byers et al. ....	137/801
5,165,121	11/1992	McTargett et al. ....	137/81 X

**OTHER PUBLICATIONS**

Undated, admitted prior art, Altman's ad for an A Spout.

Undated, admitted prior art, Jacob Delafon ad showing an Elite Spout.

Undated, admitted prior art, Moen ad for various bathroom fixtures.

Undated, admitted prior art, Andre Collection ad for a Sphinx lavatory set.

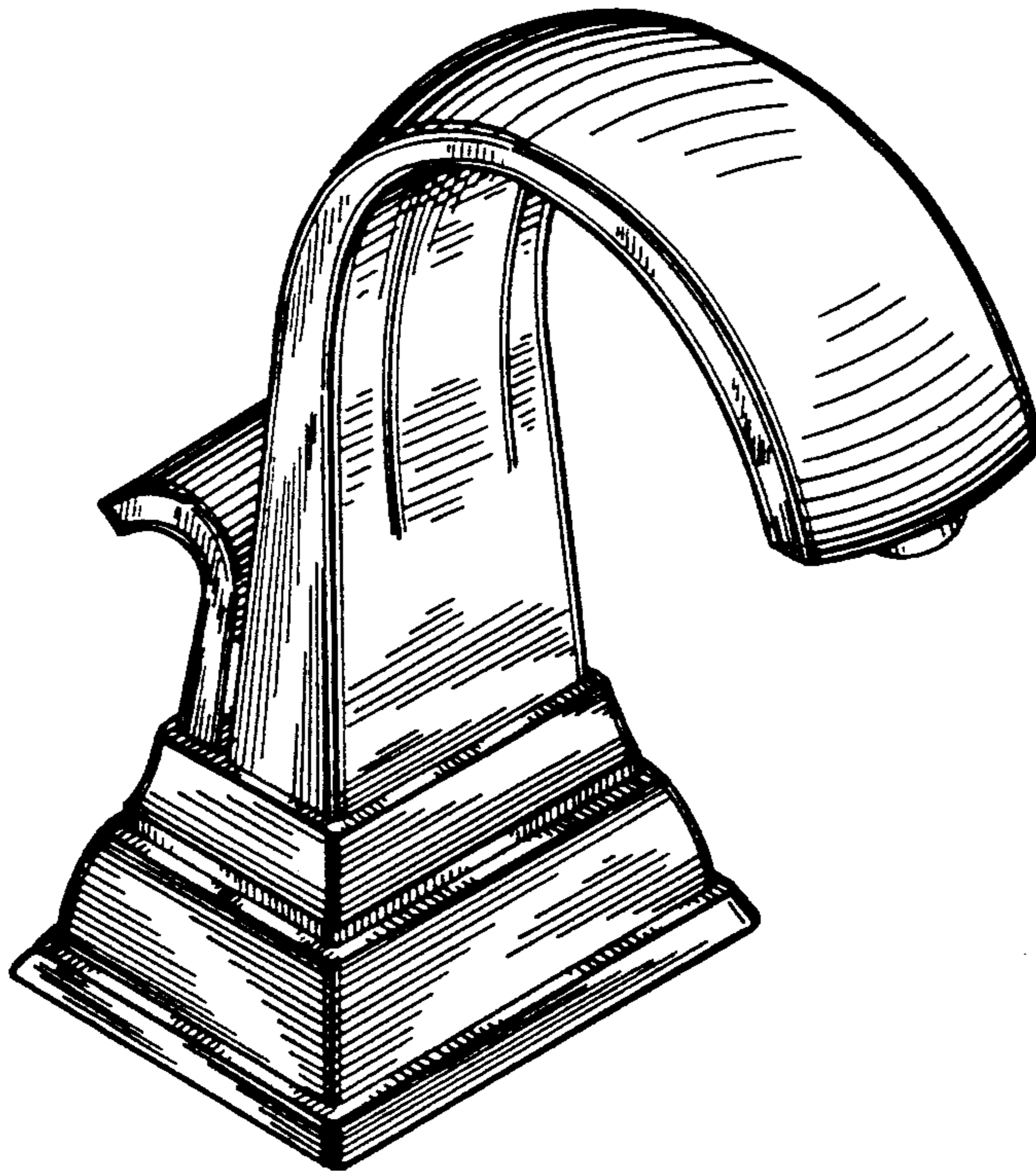
*Primary Examiner*—James R. Largen  
*Attorney, Agent, or Firm*—Quarles & Brady

[57] **CLAIM**

The ornamental design for a spout, as shown and described.

**DESCRIPTION**

FIG. 1 is a perspective view taken from the top, front and left side of a spout showing my new design;  
 FIG. 2 is a front elevational view thereof;  
 FIG. 3 is a rear elevational view thereof;  
 FIG. 4 is a right side elevational view thereof, the left side elevational view being the mirror image of the right side shown;  
 FIG. 5 is a top plan view thereof;  
 FIG. 6 is a bottom plan view thereof;  
 FIG. 7 is a cross-sectional view taken on line 7—7 of FIG. 4;  
 FIG. 8 is a cross-sectional view taken on line 8—8 of FIG. 4;  
 FIG. 9 is a cross-sectional view taken on line 9—9 of FIG. 4;  
 FIG. 10 is a cross-sectional view taken on line 10—10 of FIG. 4; and,  
 FIG. 11 is a cross-sectional view taken on line 11—11 of FIG. 4.



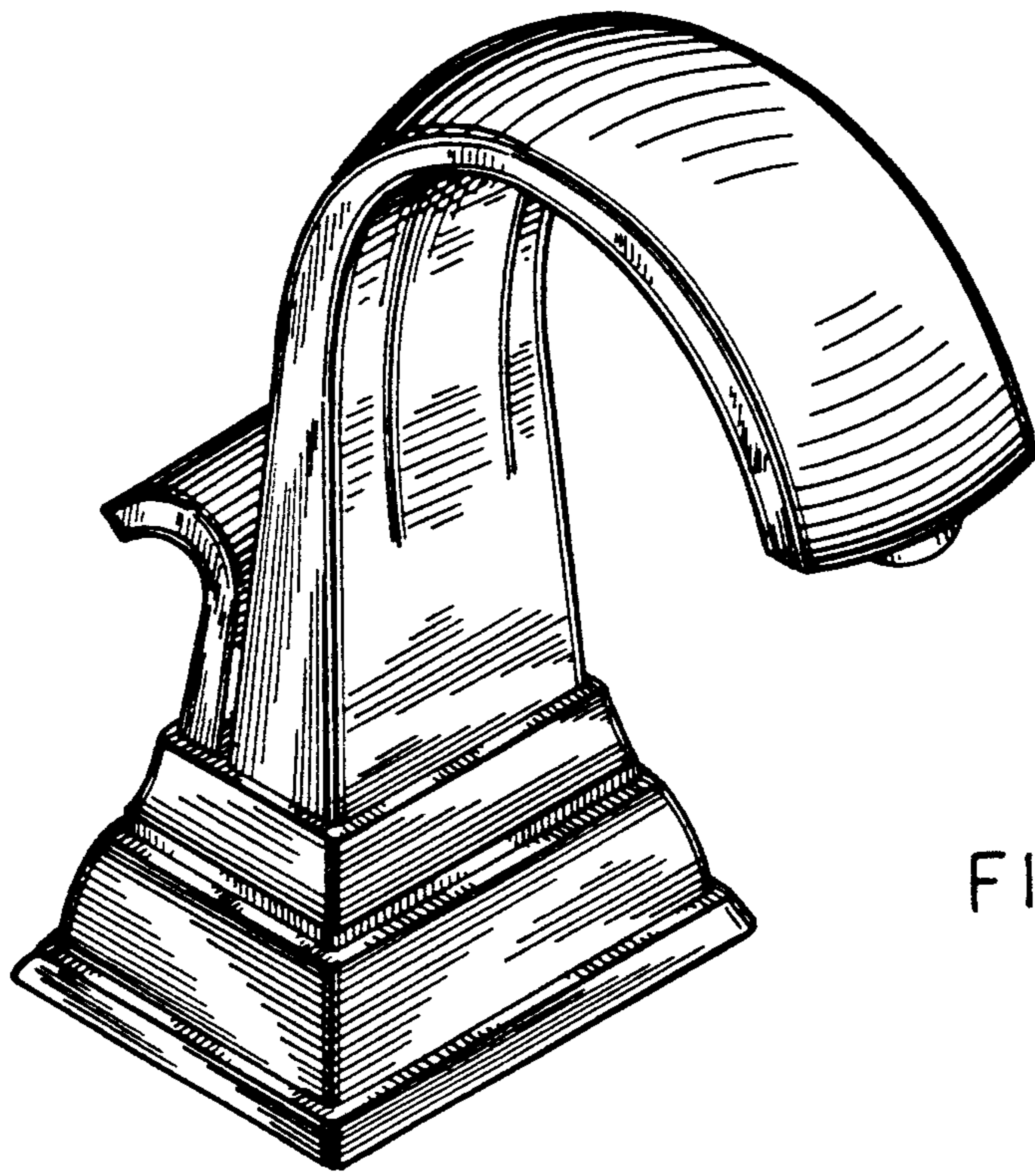


FIG. 1

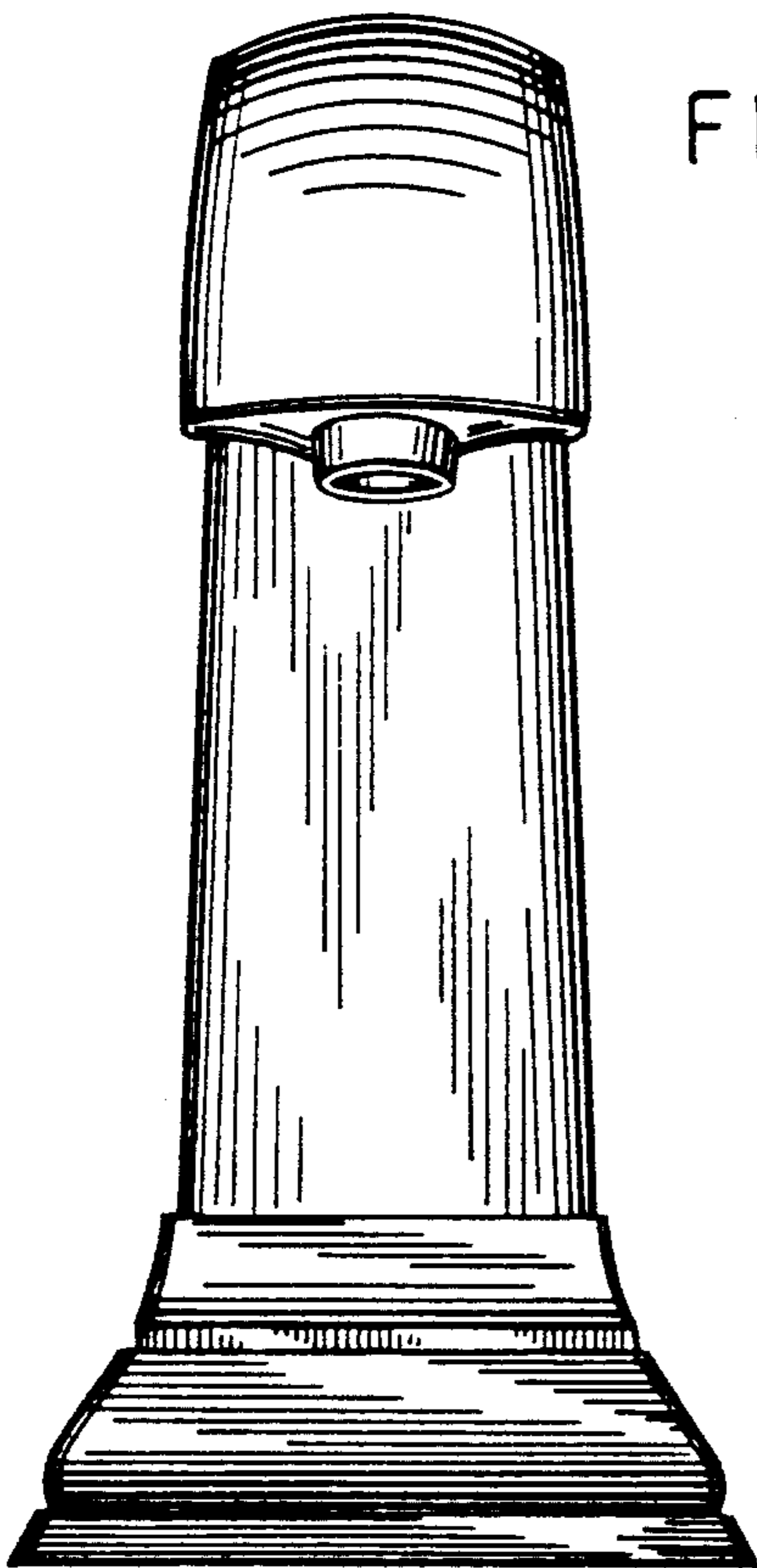


FIG. 2

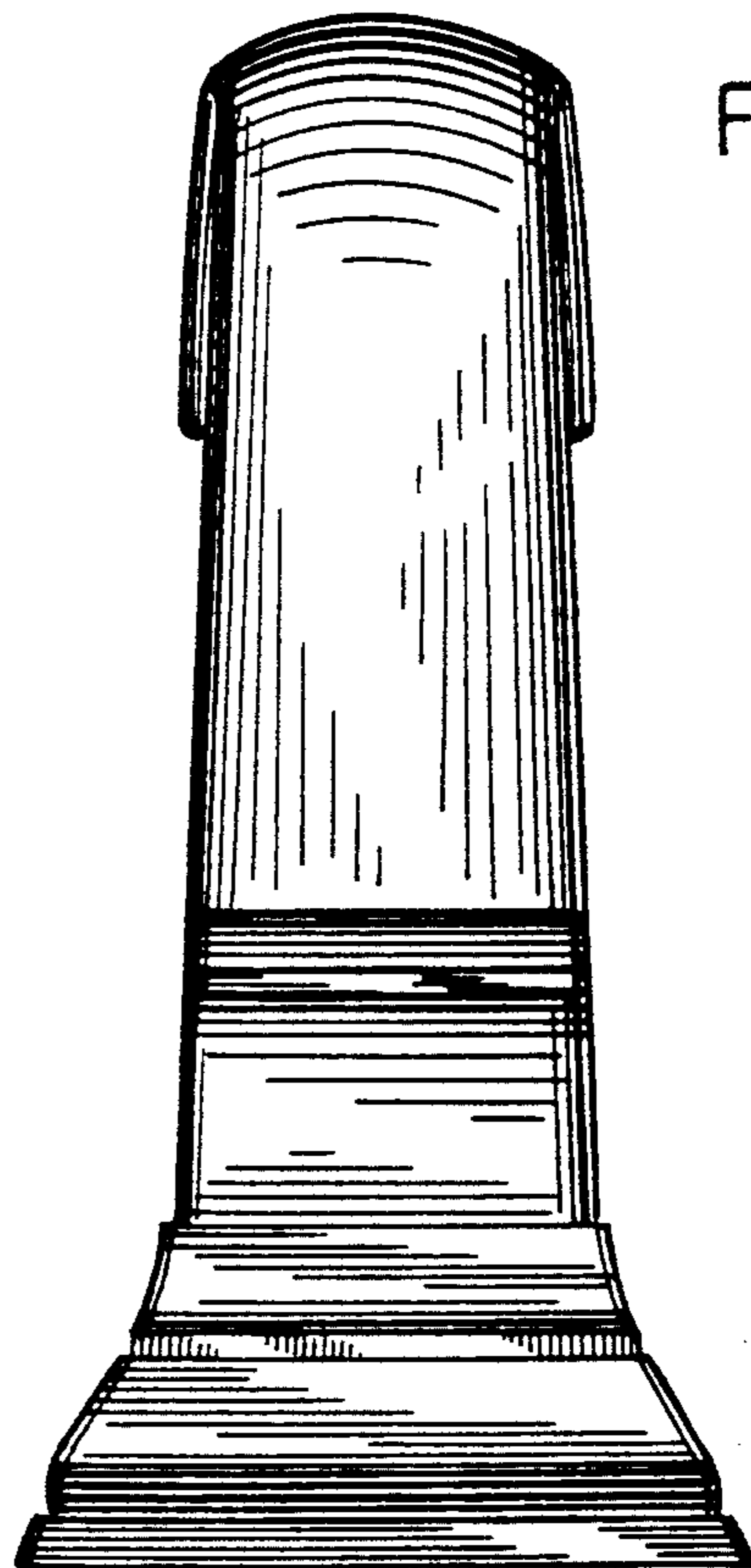
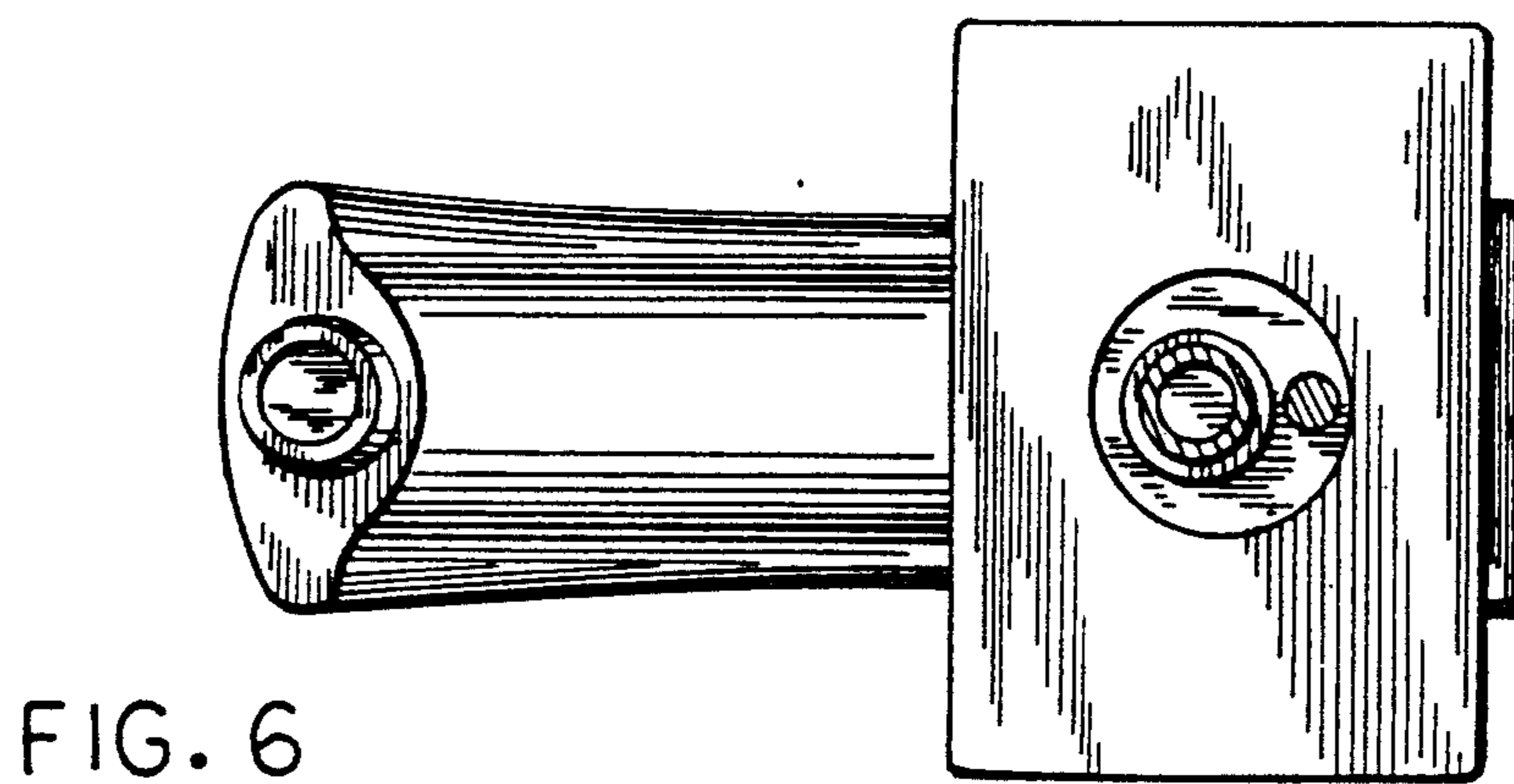
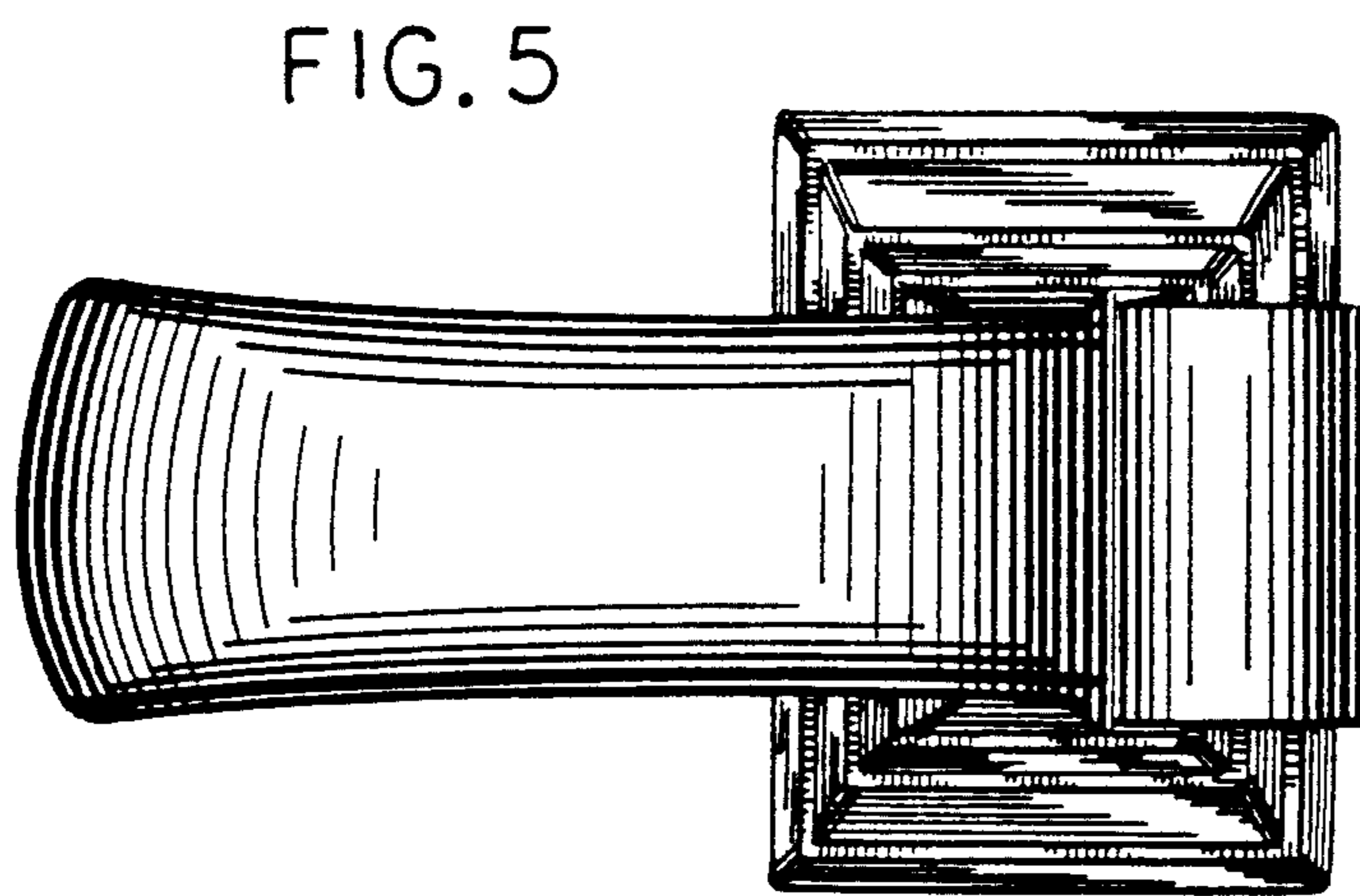
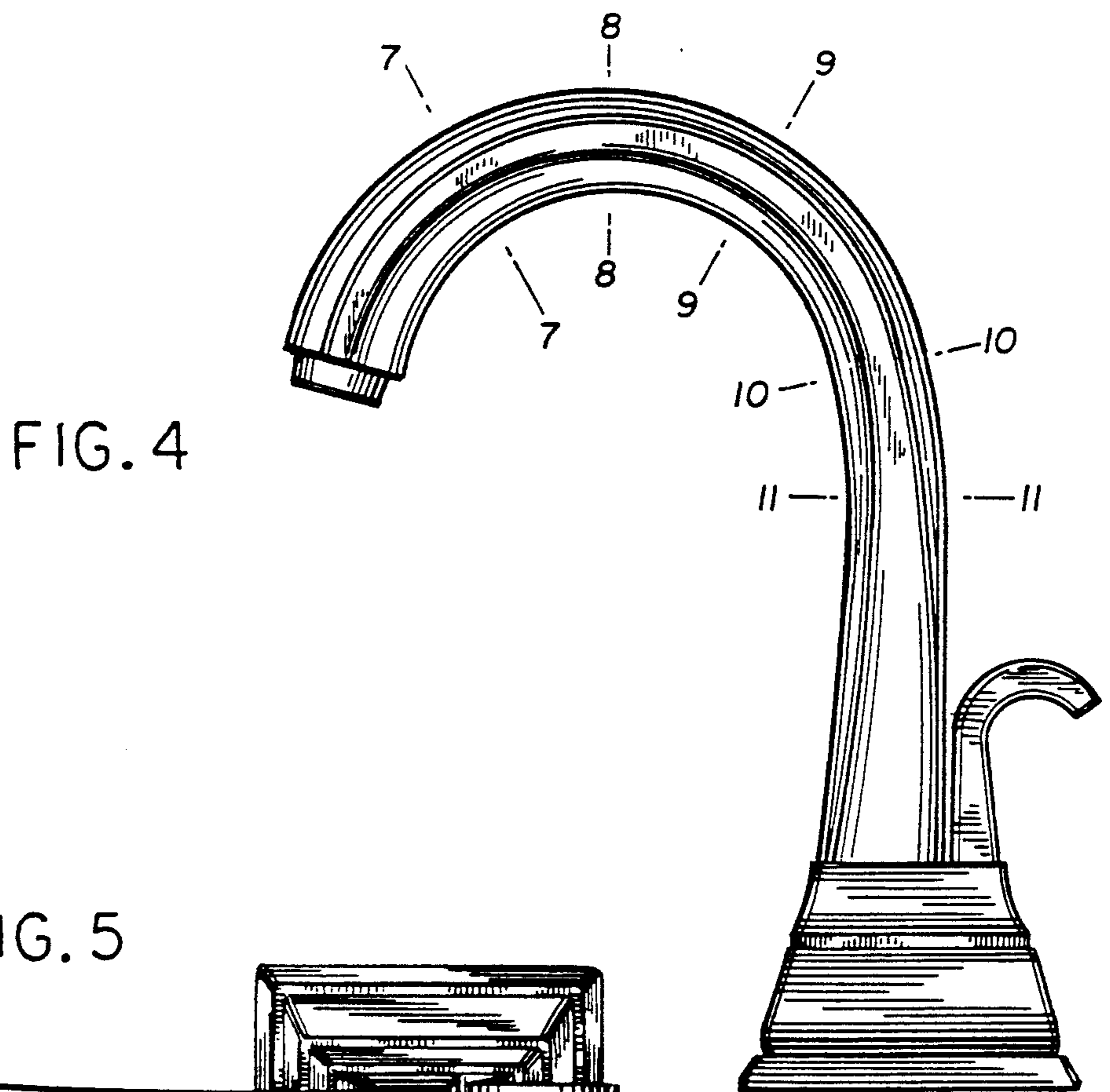


FIG. 3



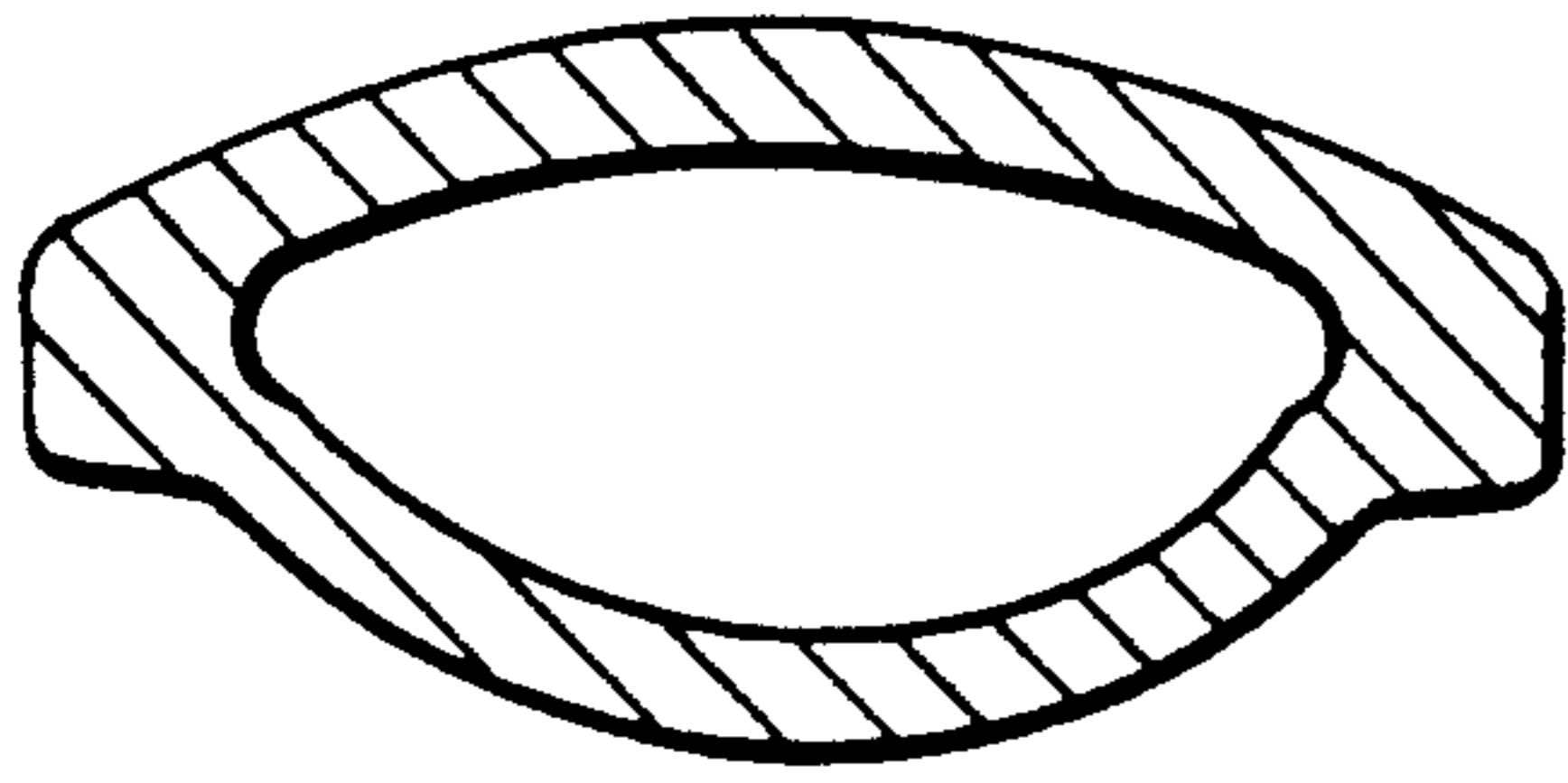


FIG. 7

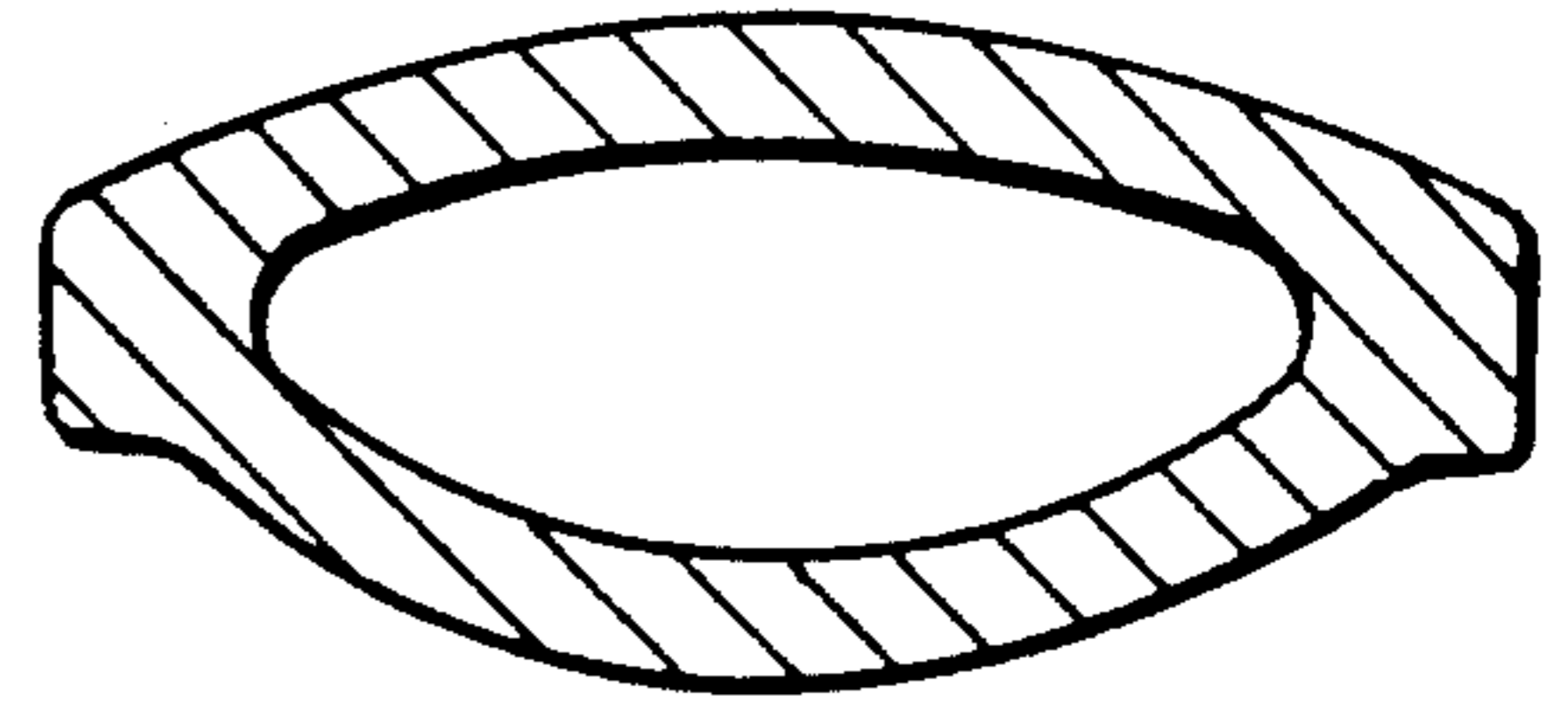


FIG. 8

FIG. 9

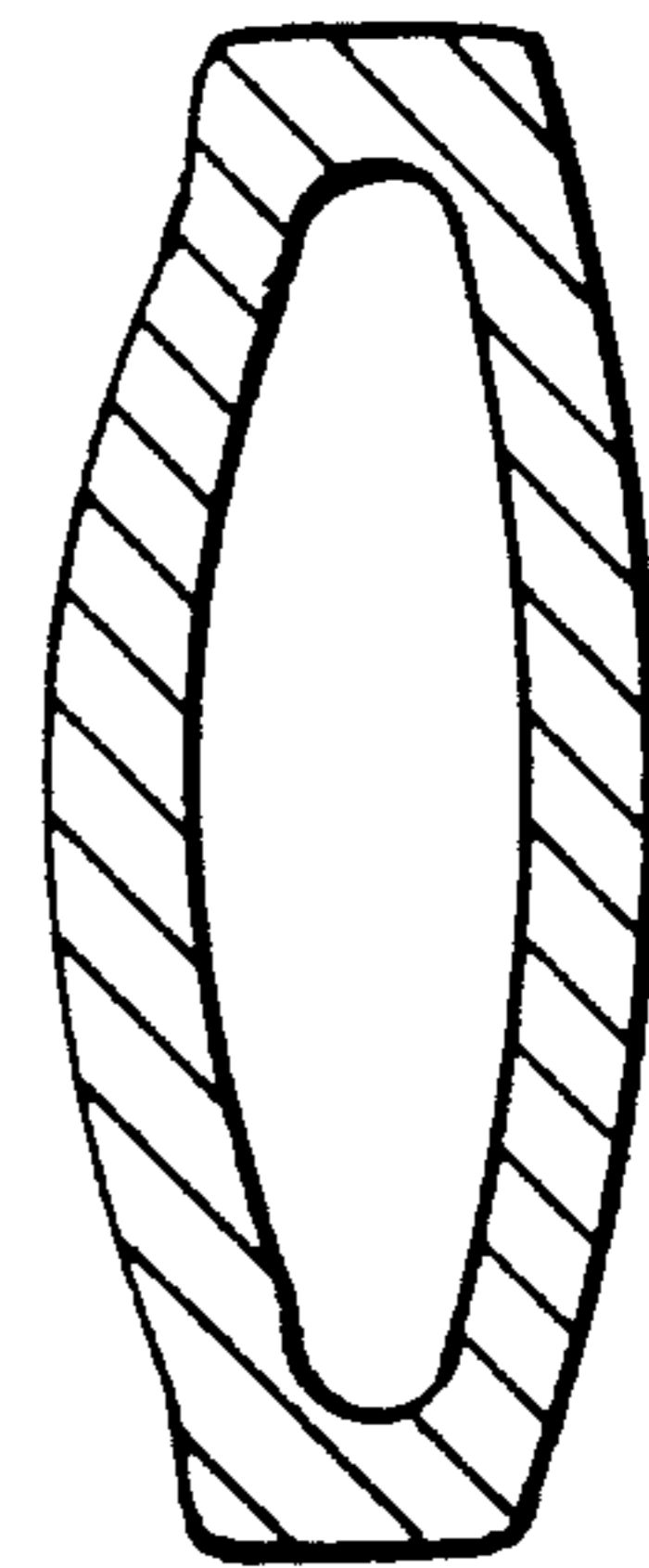
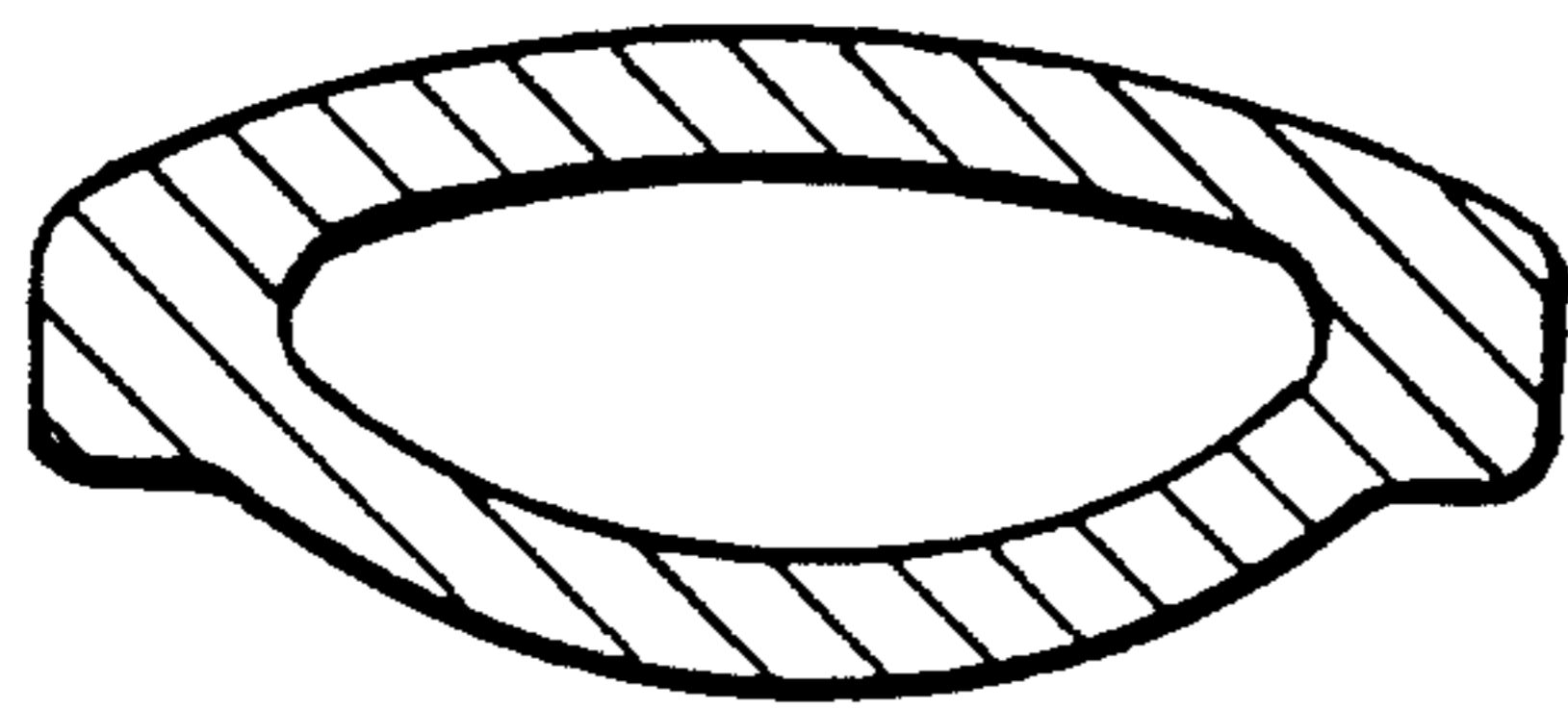


FIG. 10

FIG. 11

