



US00D342307S

# United States Patent [19]

[11] Patent Number: **Des. 342,307**

**Bartholf et al.**

[45] Date of Patent: **\*\* Dec. 14, 1993**

[54] VALVE

[75] Inventors: **Thomas Bartholf, Stockholm; Folke Landquist, Balsta; Bengt Sodergard, Upplands Vashy, all of Sweden**

[73] Assignee: **ITT Flygt Ab, Solna, Sweden**

[\*\*] Term: **14 Years**

[21] Appl. No.: **666,873**

[22] Filed: **Mar. 8, 1991**

[30] **Foreign Application Priority Data**

Sep. 12, 1990 [SE] Sweden ..... 90-1910

[52] U.S. Cl. .... **D23/245**

[58] Field of Search ..... **D23/233-237, D23/244-249; 251/57; 417/299, 360**

[56] **References Cited**

**U.S. PATENT DOCUMENTS**

- D. 114,497 4/1939 Ray ..... D23/248
- D. 142,771 11/1945 Chapman, Jr. .... D23/247
- D. 286,907 11/1986 Hilpert ..... D23/249

- D. 287,268 12/1986 Hilpert ..... D23/249
- 4,052,035 10/1977 Kenny et al. .... 251/57 X
- 4,265,268 5/1981 Hetz ..... 417/299 X
- 4,462,766 7/1984 Carlsson et al. .... 417/430
- 4,925,375 5/1990 Carlsson ..... 417/299 X
- 4,948,342 8/1990 Landquist ..... 417/430 X
- 5,161,958 11/1992 Landquist ..... 417/299

*Primary Examiner*—James R. Largen  
*Attorney, Agent, or Firm*—M. J. Lombardi

[57] **CLAIM**

The ornamental design for a valve, as shown and described.

**DESCRIPTION**

FIG. 1 is a perspective view taken from the rear and right side of a valve showing our new design; FIG. 2 is a top plan view thereof; FIG. 3 is a front elevational view thereof; FIG. 4 is a left side elevational view thereof; FIG. 5 is a right side elevational view thereof; FIG. 6 is a rear elevational view thereof; and, FIG. 7 is a bottom plan view thereof.

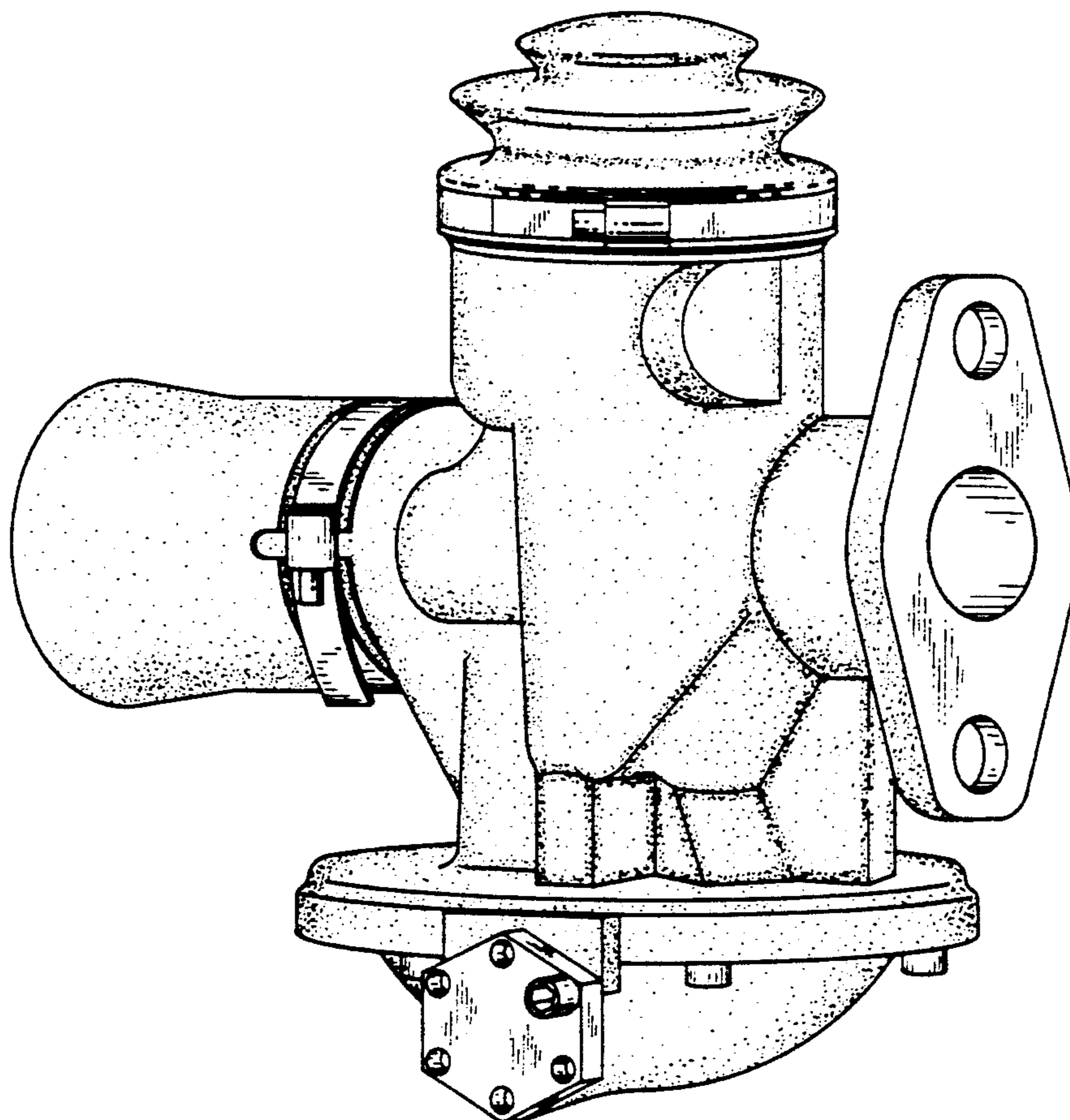


FIG. 1

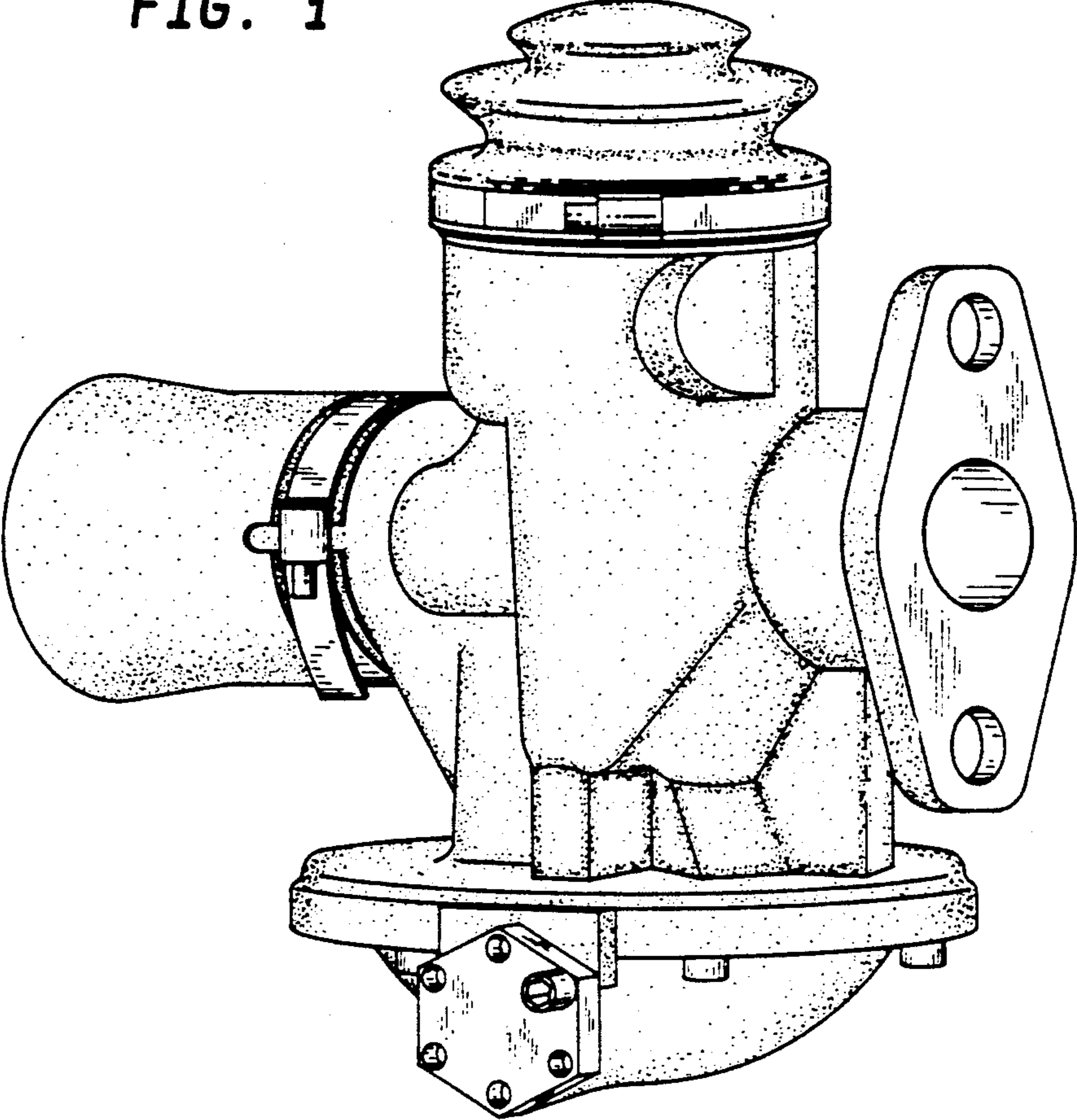


FIG. 2

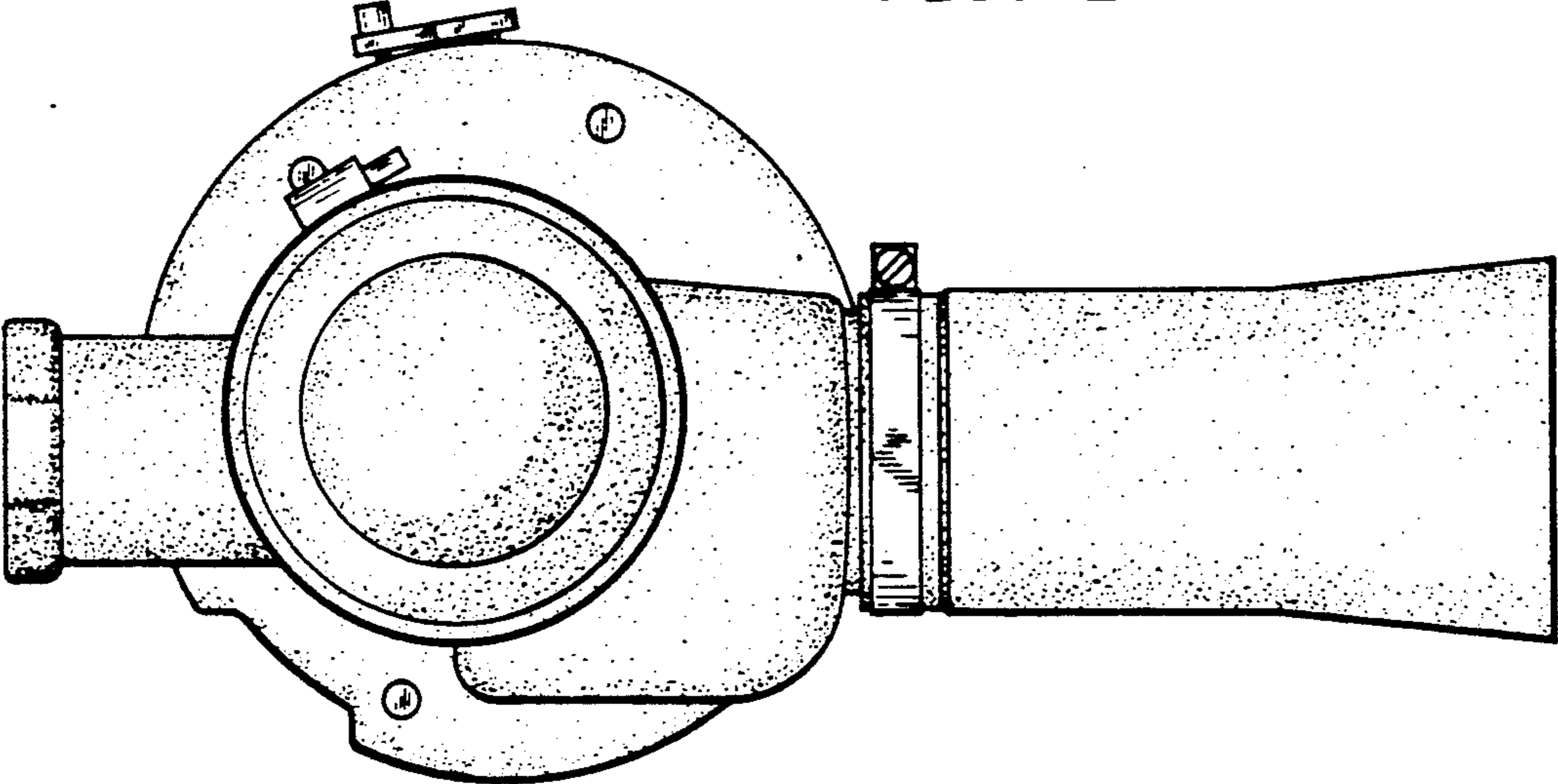


FIG. 3

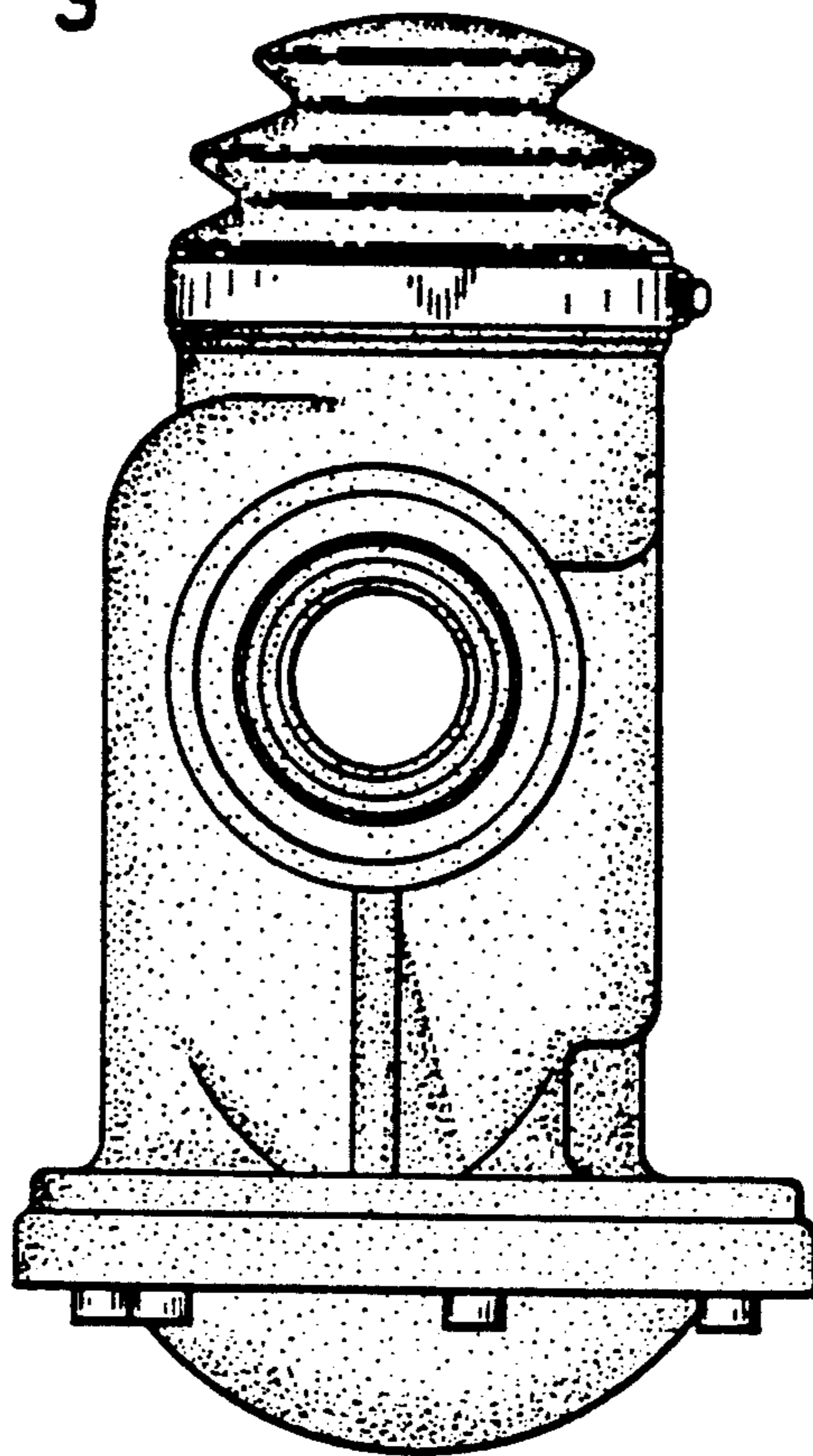


FIG. 4

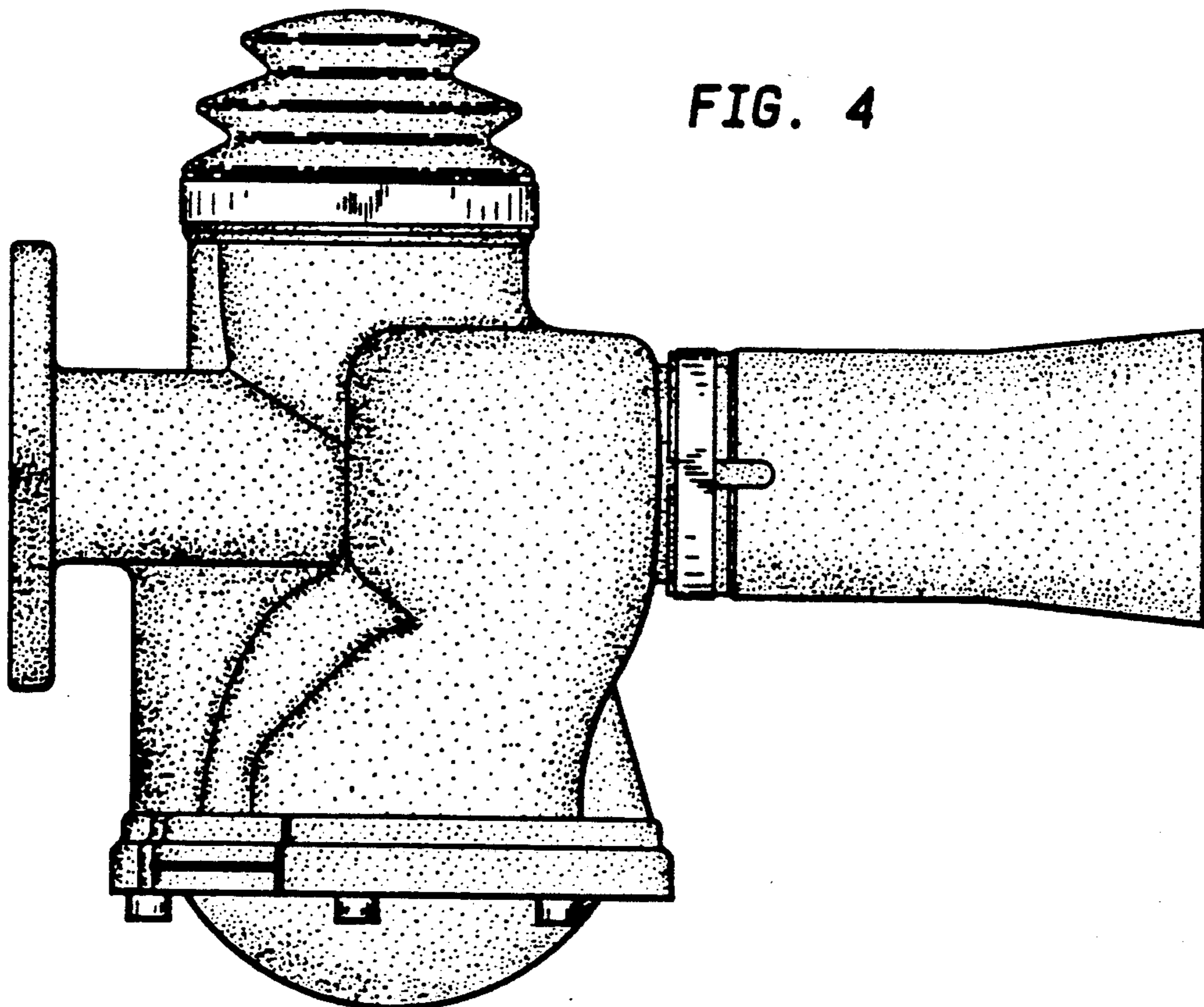


FIG. 5

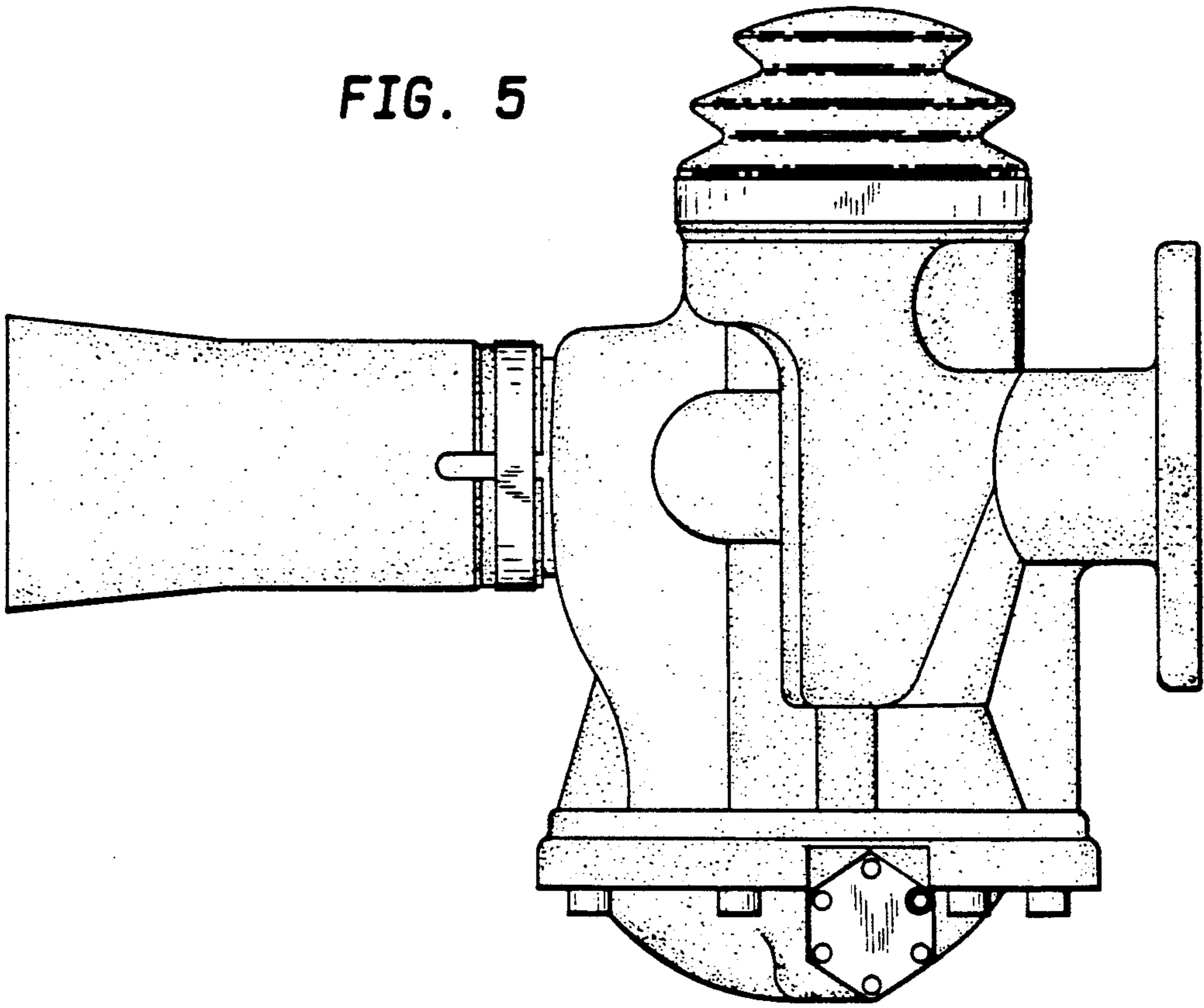


FIG. 6

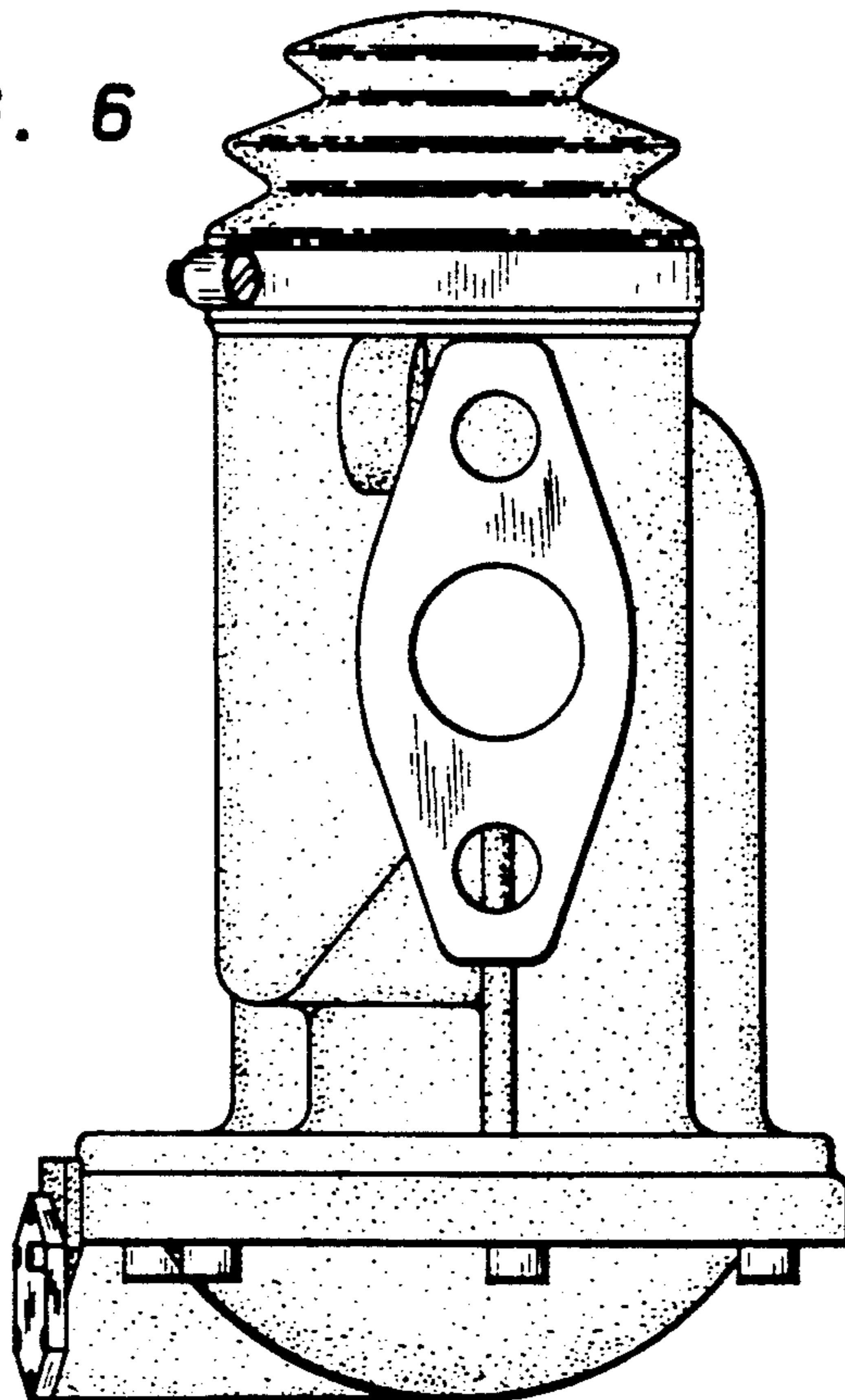


FIG. 7

