



US00D342306S

**United States Patent** [19]  
**Young**

[11] **Patent Number: Des. 342,306**

[45] **Date of Patent: \*\* Dec. 14, 1993**

[54] **NITROGEN-REMOVING AQUARIUM FILTER**

[76] **Inventor: Forrest A. Young, 2970 Dolphin Dr., Marathon, Fla. 33050**

[\*\*] **Term: 14 Years**

[21] **Appl. No.: 363,194**

[22] **Filed: Jun. 8, 1989**

[52] **U.S. Cl. .... D23/210**

[58] **Field of Search .... D23/200, 207-210, D23/316; D30/101, 106; 210/169, 301, 323.1, 416.2, 416.3, 470, 445, 231, 321.75, 321-384, 456, 488, 227-228**

[56] **References Cited**

**U.S. PATENT DOCUMENTS**

1,966,274	7/1934	Wells .....	210/445 X
2,665,009	1/1954	Marstick .....	210/445 X
3,497,065	2/1970	Johnson, Jr. ....	210/231
3,543,938	12/1970	Busse .....	210/231 X

*Primary Examiner*—Susan J. Lucas  
*Assistant Examiner*—M. H. Tung

[57] **CLAIM**

The ornamental design for a nitrogen-removing aquarium filter, as shown and described.

**DESCRIPTION**

FIG. 1 is a top plan view of a nitrogen-removing aquarium filter showing my new design;  
 FIG. 2 is a side elevational view thereof, all sides being identical;  
 FIG. 3 is a bottom plan view thereof;  
 FIG. 4 is a cross-sectional view thereof, taken on line 4—4 of FIG. 2;  
 FIG. 5 is a top plan view of a second embodiment thereof;  
 FIG. 6 is a cross-sectional view thereof, taken on line 6—6 of FIG. 5;  
 FIG. 7 is a cross-sectional view thereof, taken on line 7—7 of FIG. 6;  
 FIG. 8 is a top plan view of a third embodiment thereof, the third embodiment is the same as the first except for a circular configuration;  
 FIG. 9 is a cross-sectional view thereof, taken on line 9—9 of FIG. 8;  
 FIG. 10 is a top perspective view of the original embodiment;  
 FIG. 11 is a side elevational view of the second embodiment thereof, all sides being identical; and,  
 FIG. 12 is a side elevational view of the third embodiment thereof, all sides, being identical.

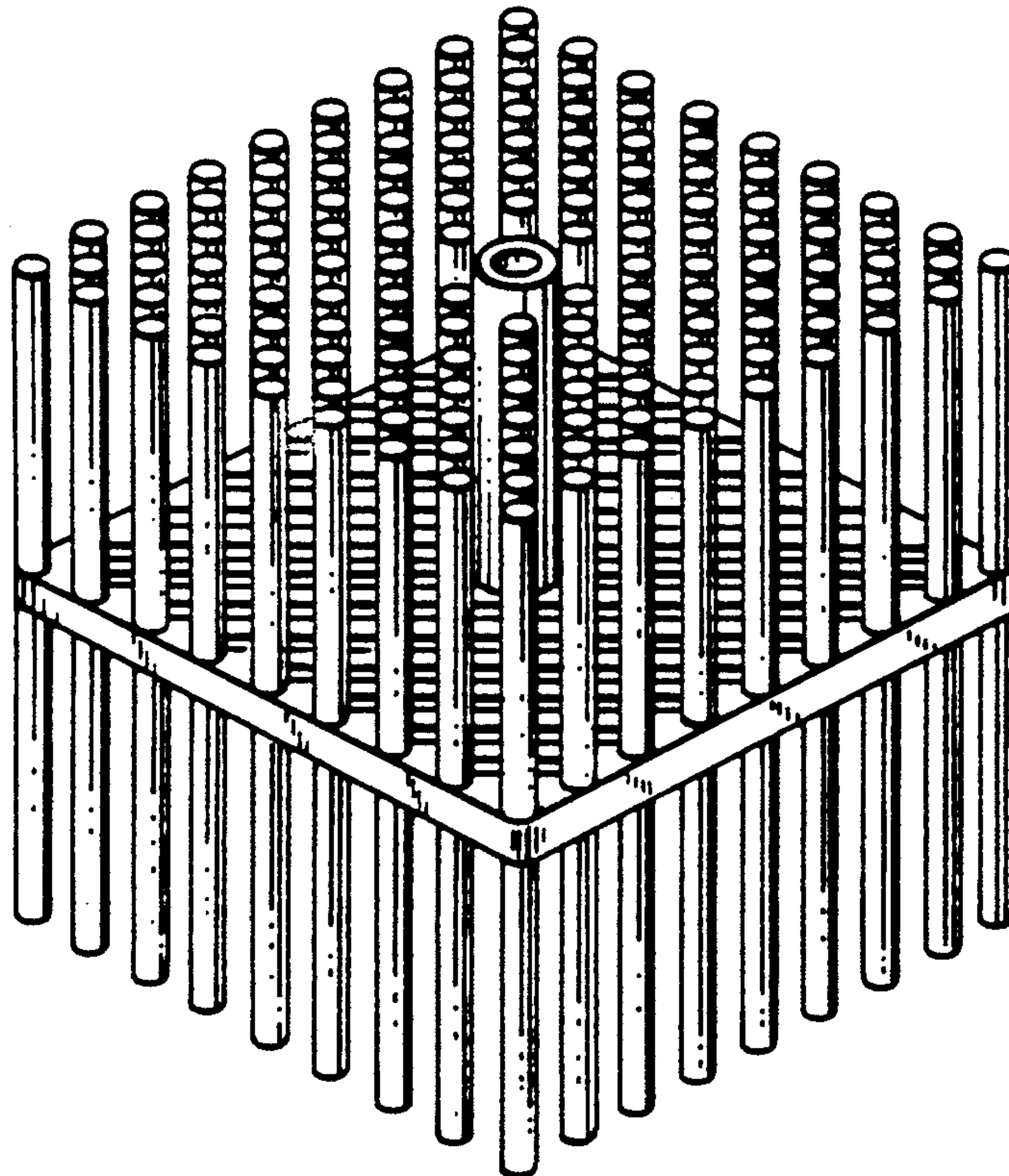


FIG. 1

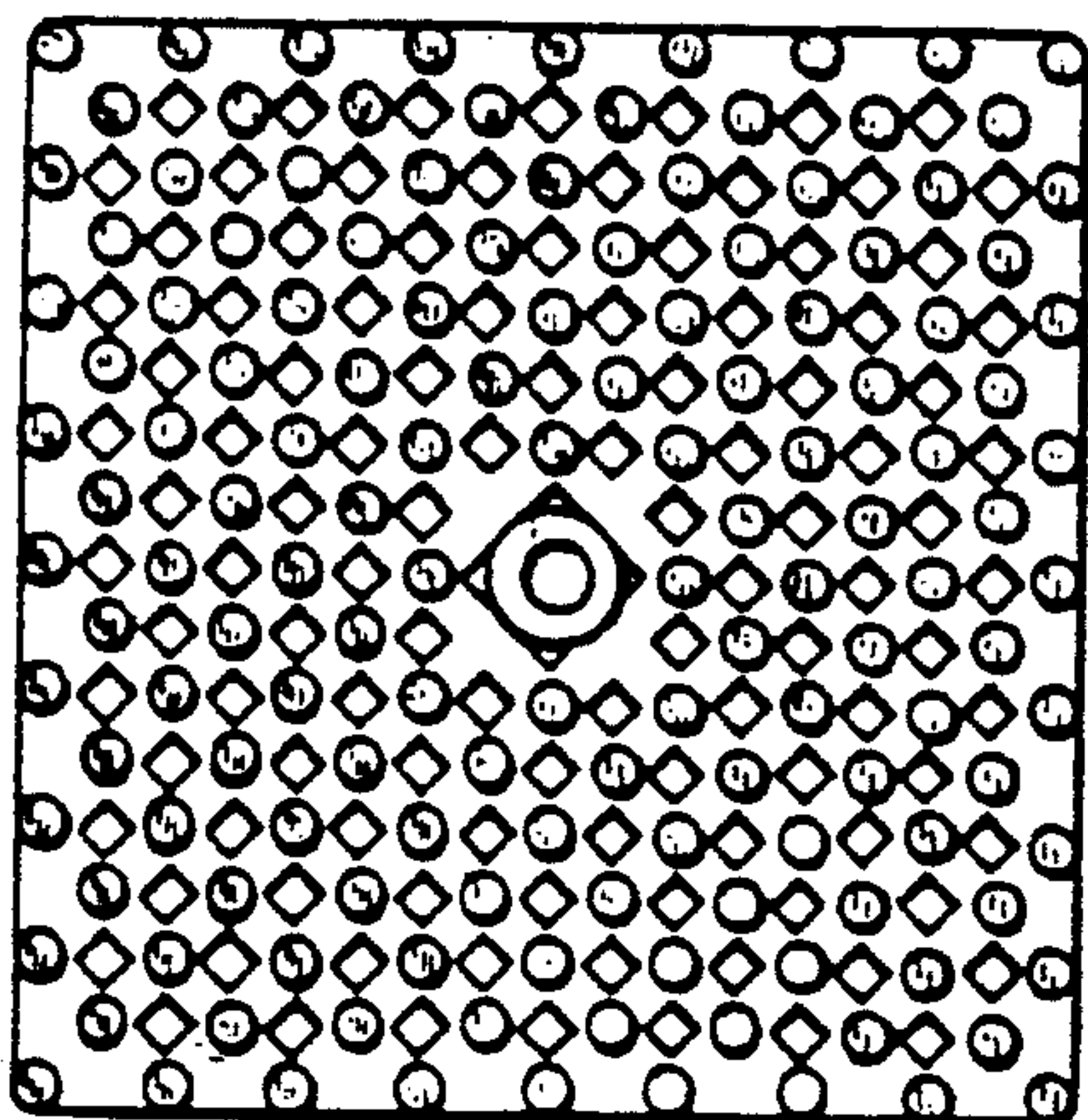


FIG. 2

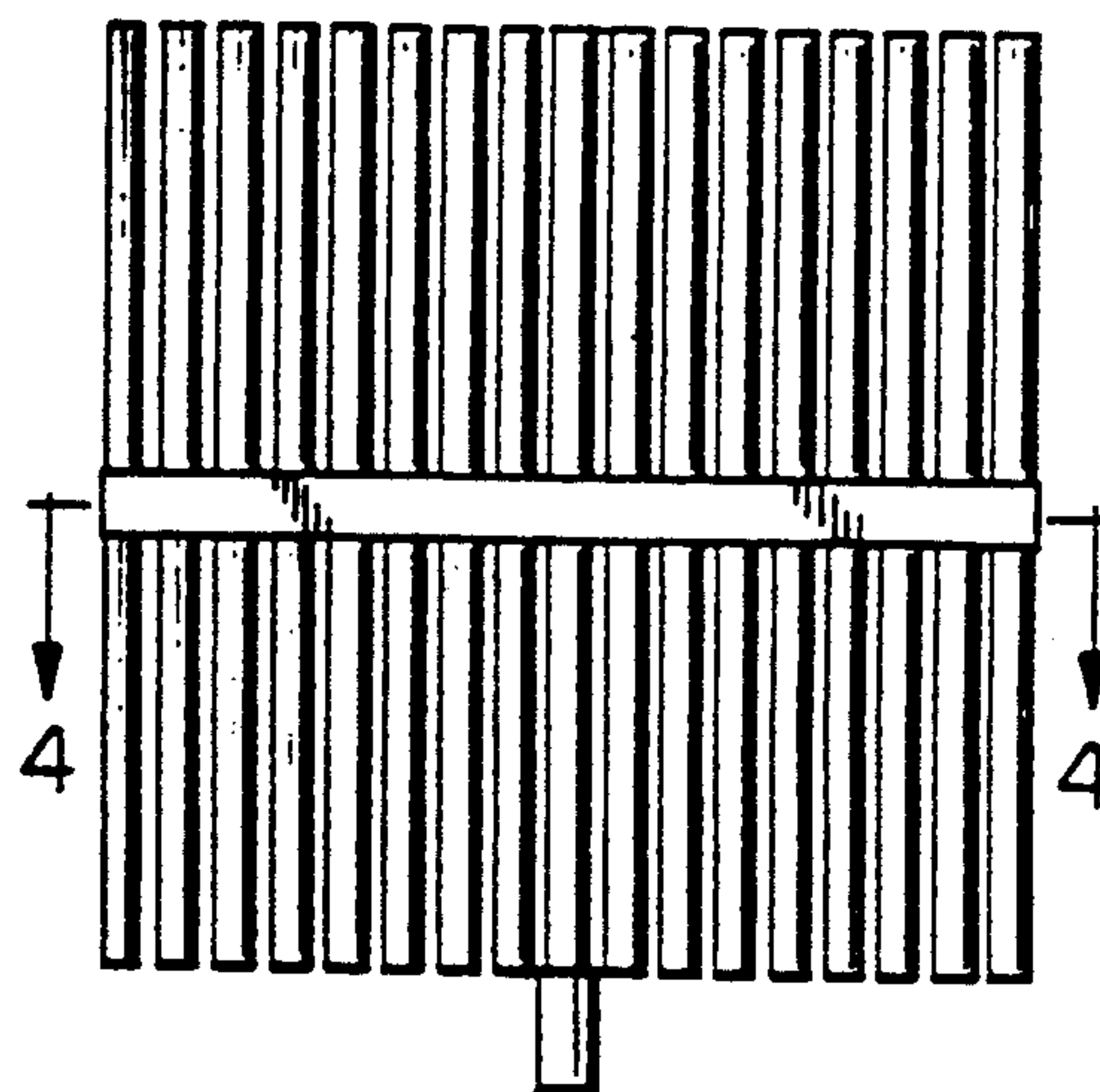


FIG. 3

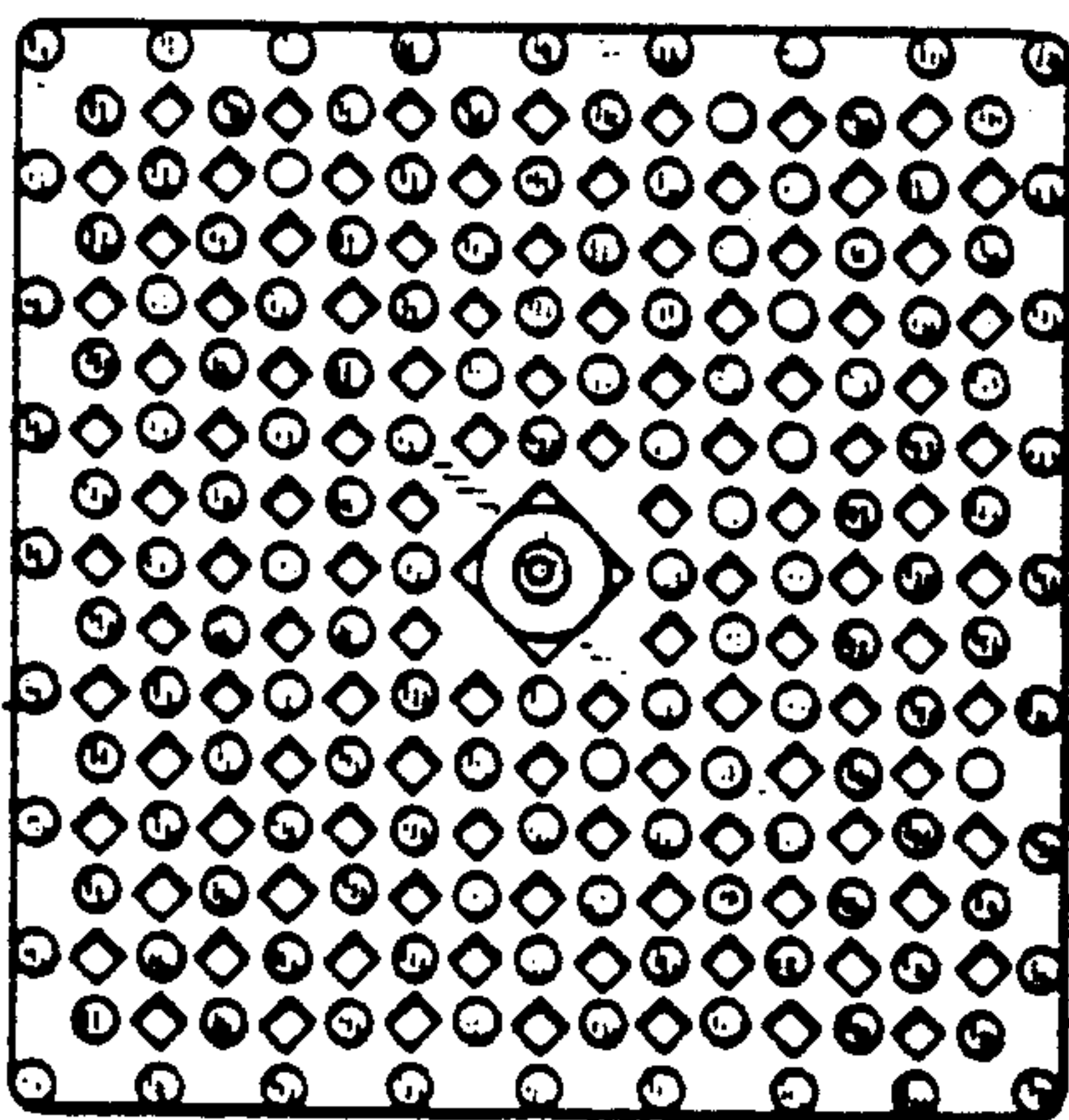
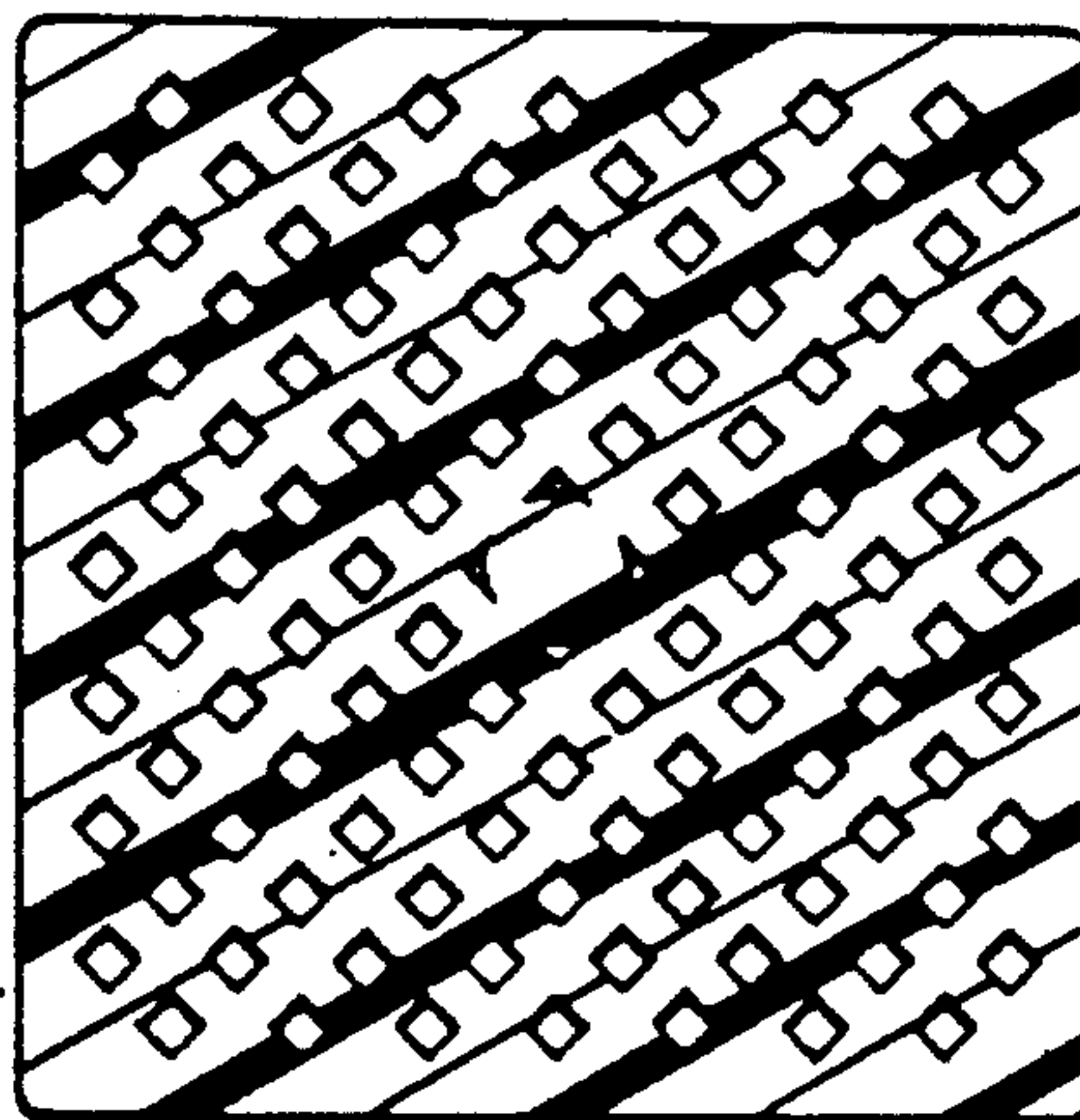


FIG. 4





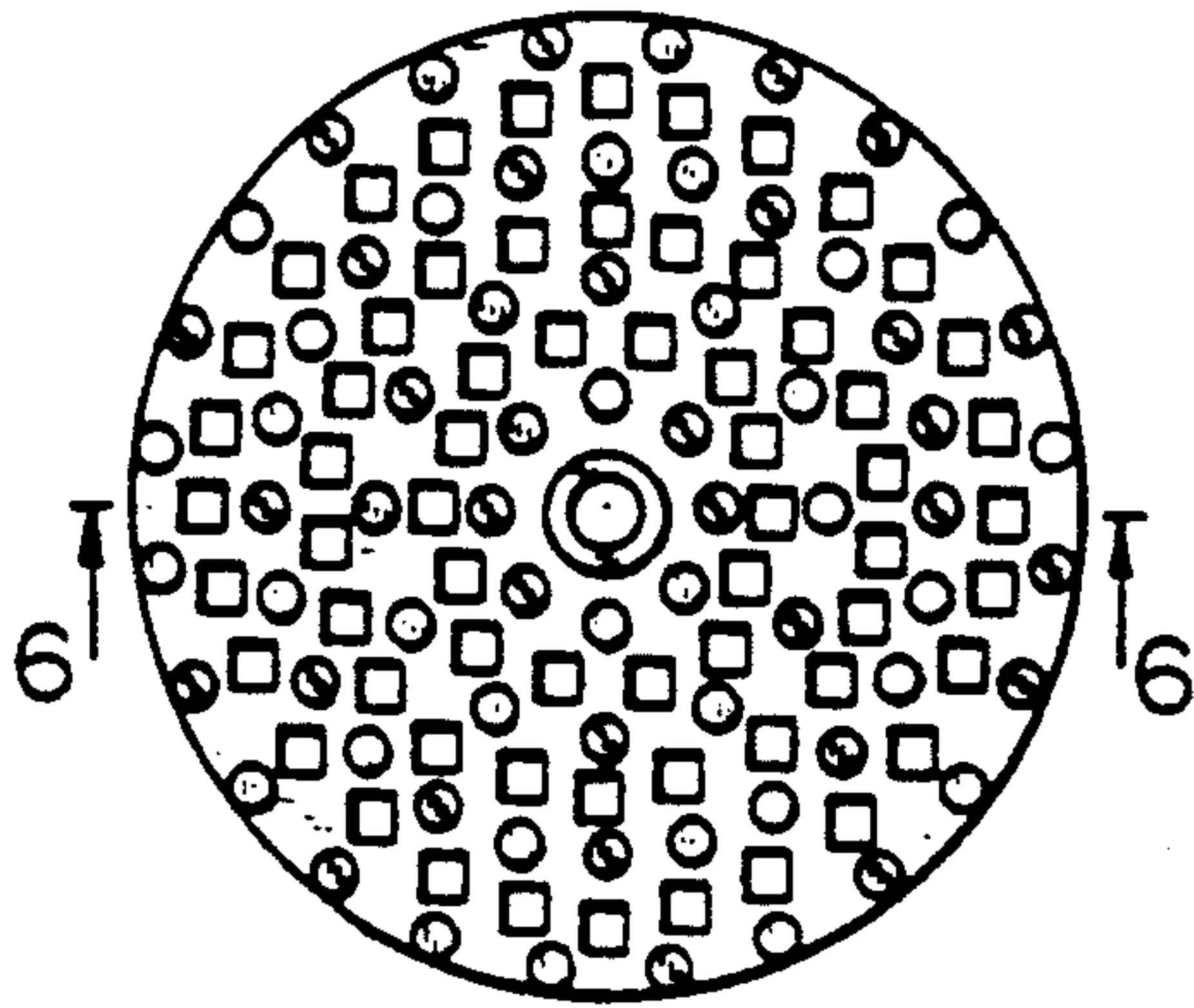


FIG. 5

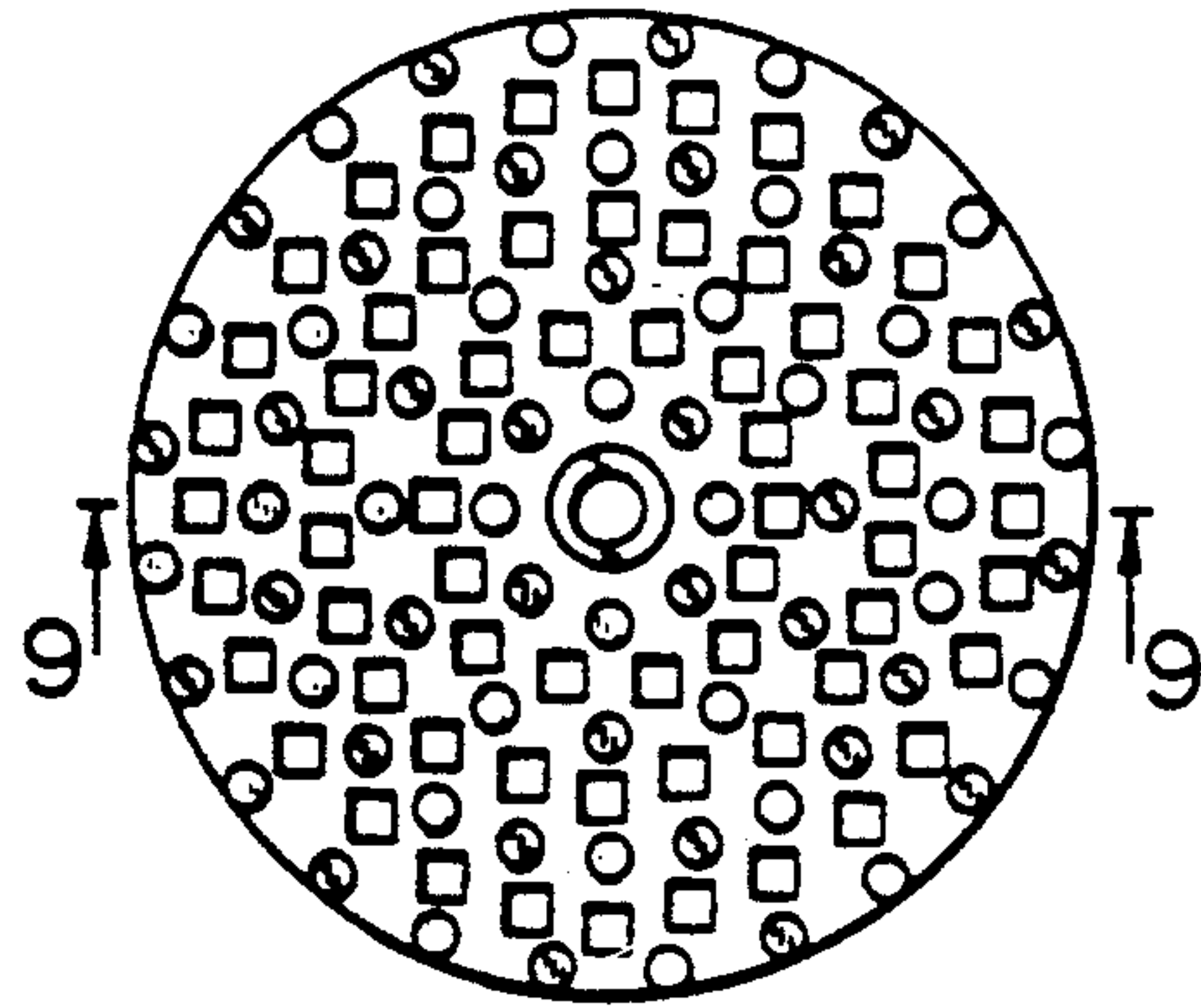


FIG. 8

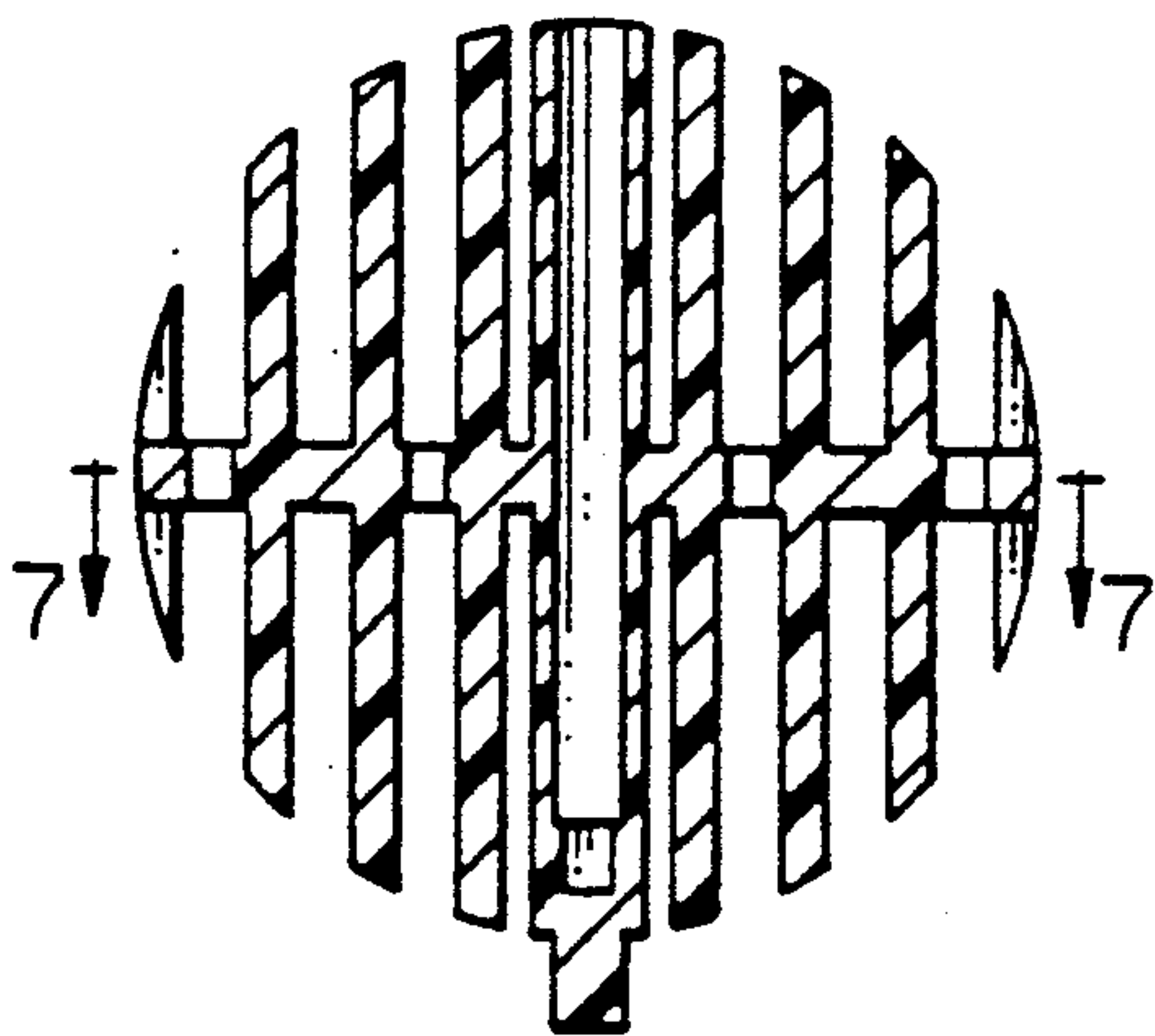


FIG. 6

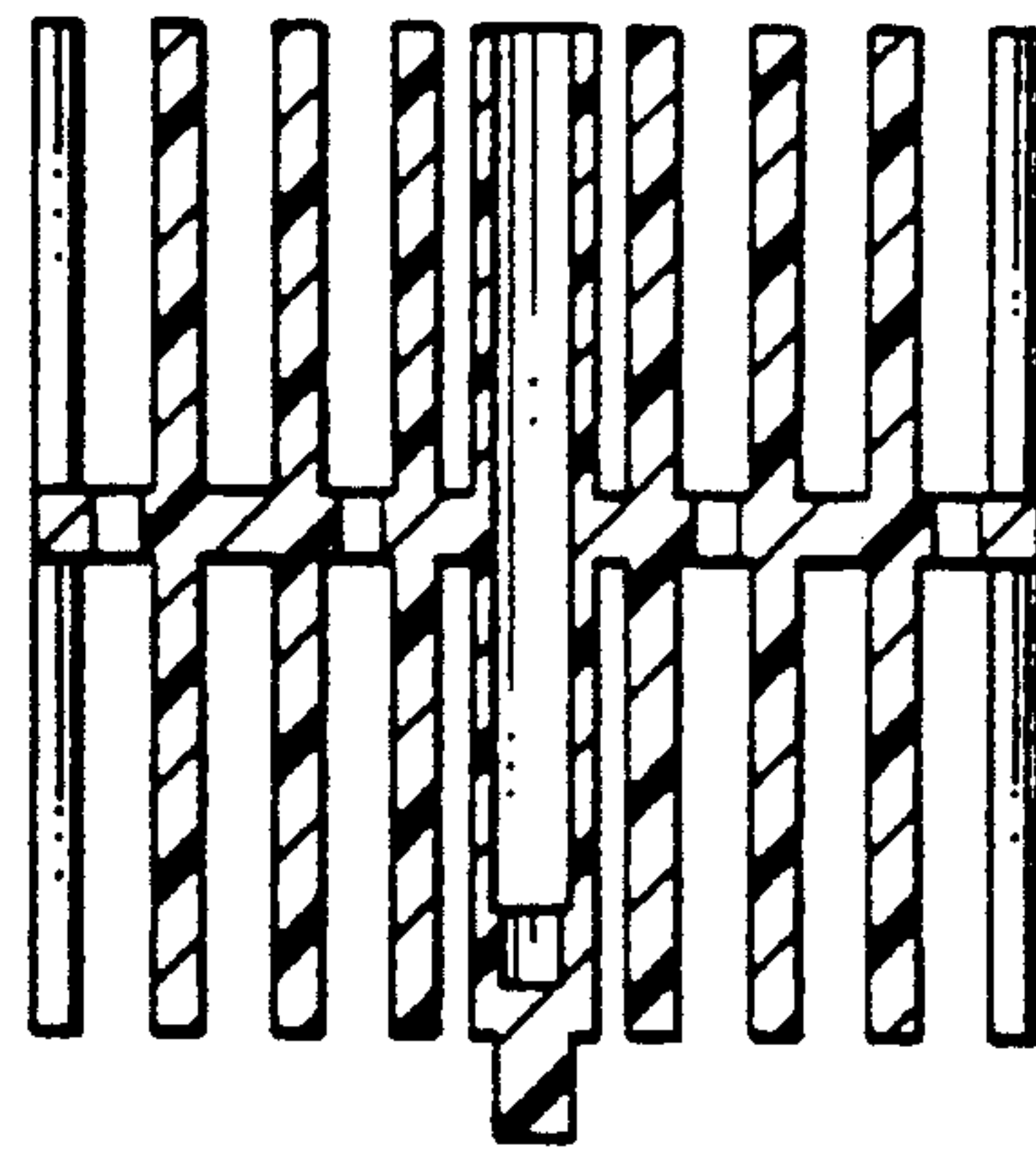


FIG. 9

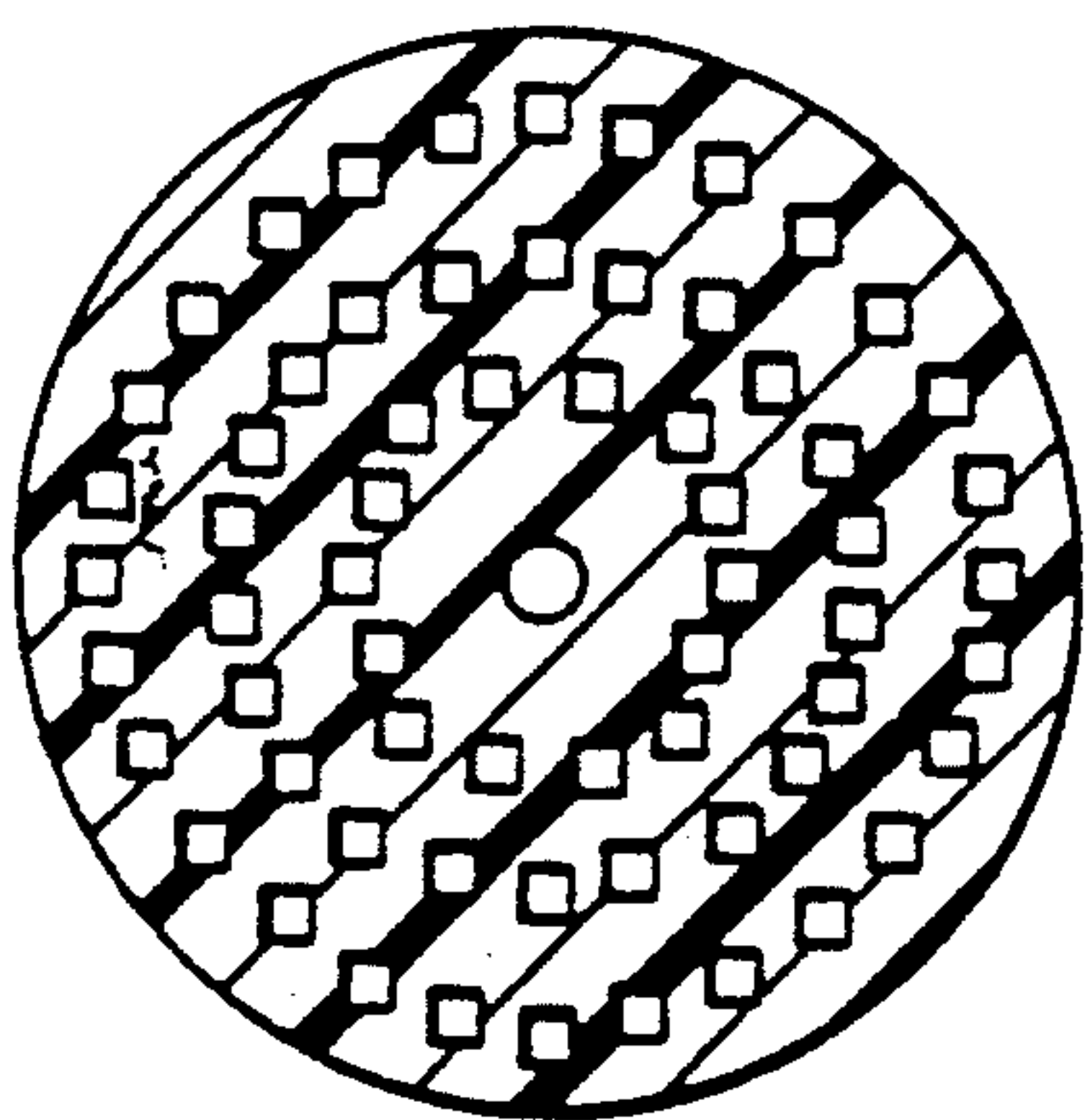


FIG. 7

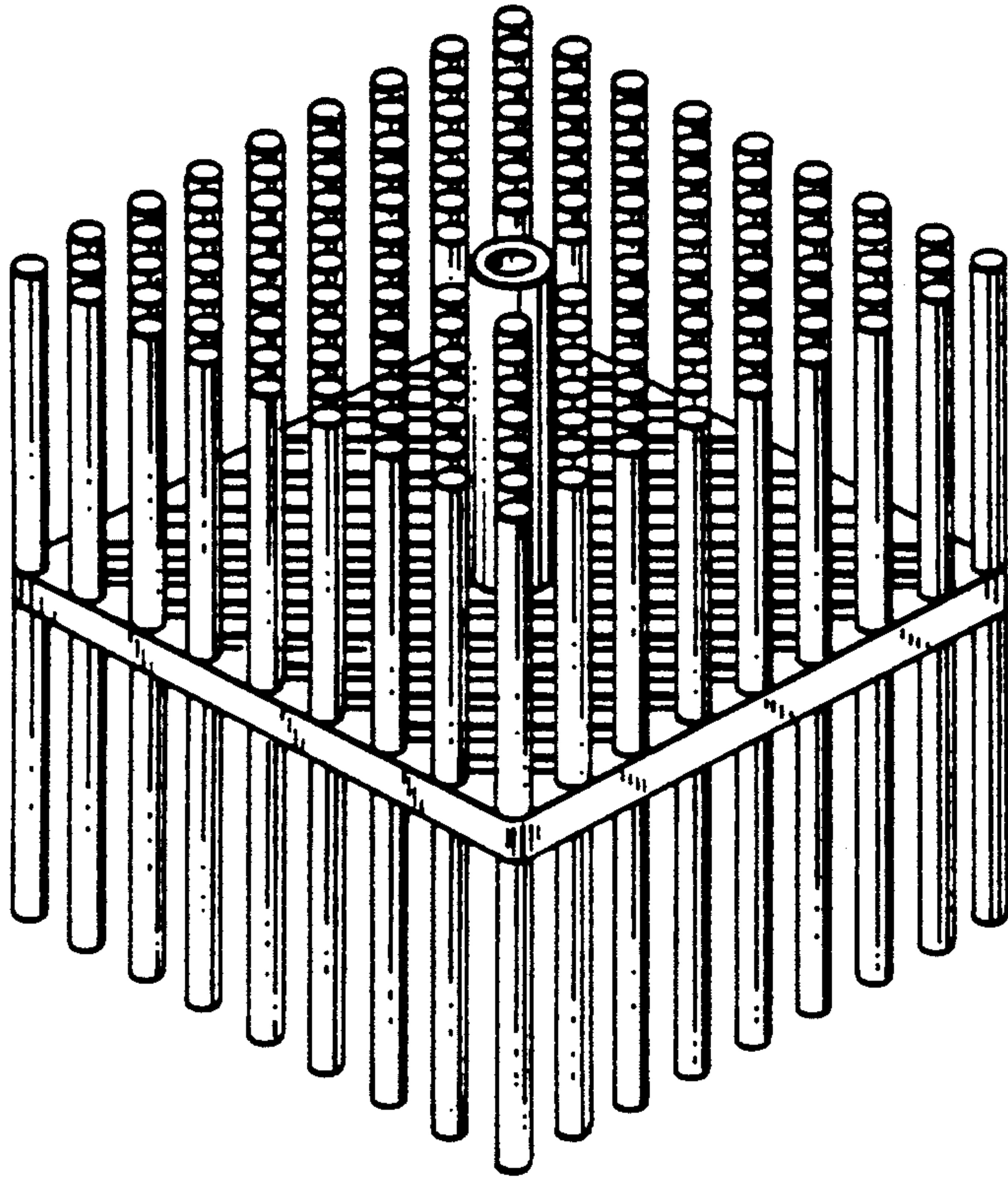


FIG. 10

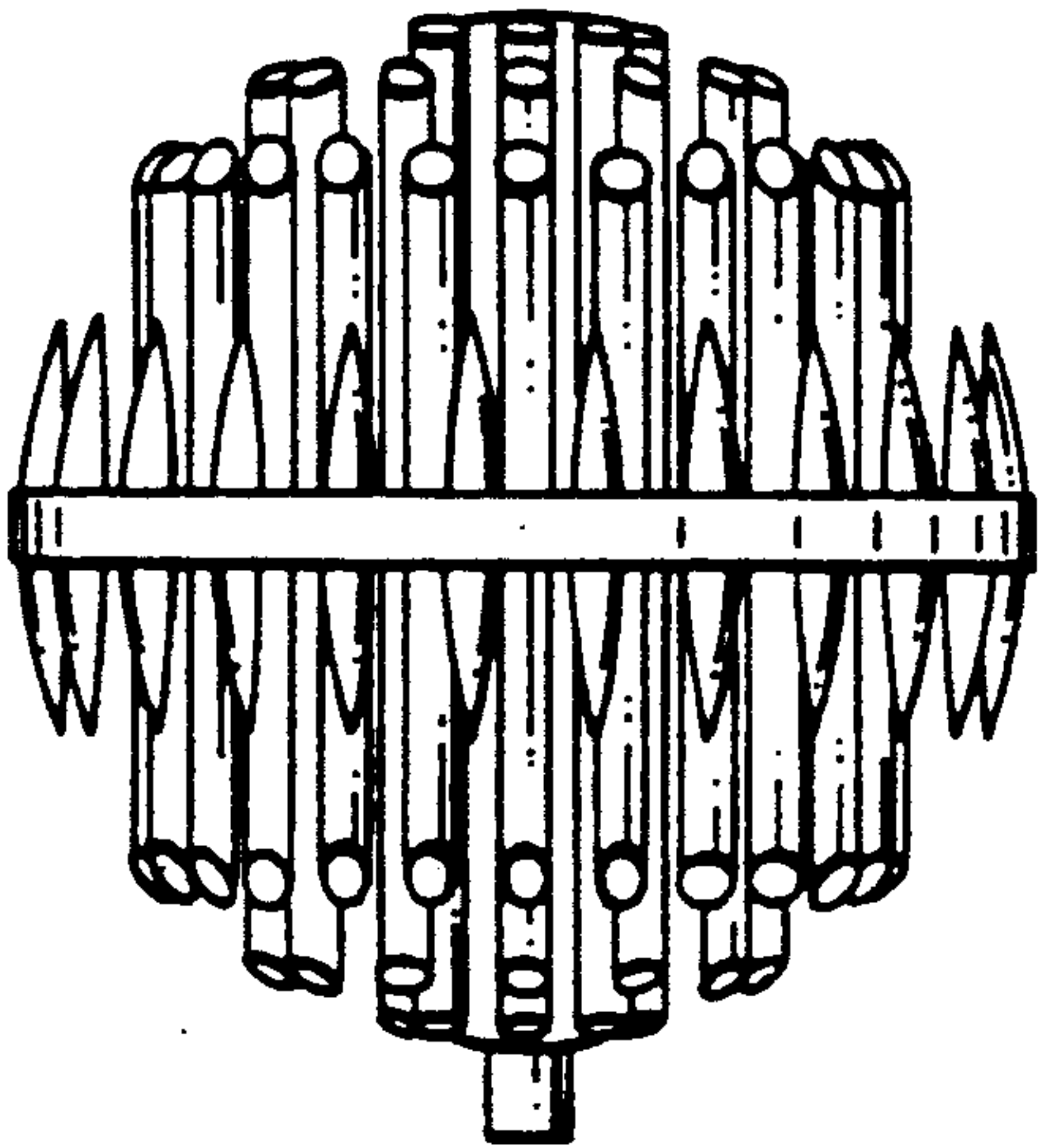


FIG. 11

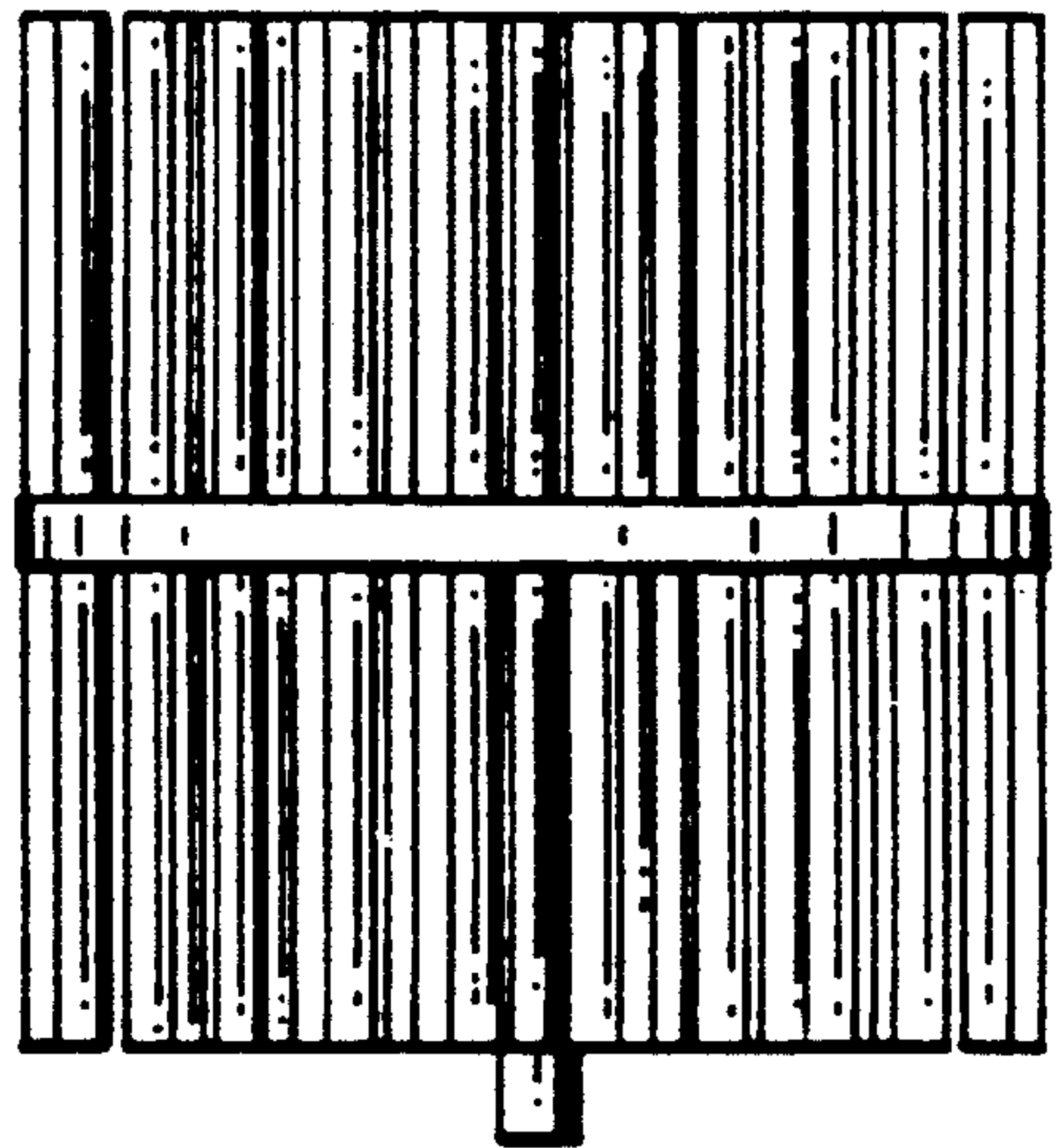


FIG. 12