



US00D342305S

# United States Patent [19]

[11] Patent Number: Des. 342,305

Bruno et al.

[45] Date of Patent: \*\* Dec. 14, 1993

[54] WALL MOUNTED SHOWER HEAD

4,588,130 5/1986 Trenary et al. .... 239/447 X

[75] Inventors: Robert H. Bruno, Avon; Tim C. Repp, New Hartford, both of Conn.

Primary Examiner—Wallace R. Burke  
Assistant Examiner—M. H. Tung  
Attorney, Agent, or Firm—Laff, Whitesel, Conte & Saret

[73] Assignee: Pollenex, Chicago, Ill.

[\*\*] Term: 14 Years

[57] CLAIM

[21] Appl. No.: 903,868

The ornamental design for a wall mounted shower head, as shown.

[22] Filed: Jun. 25, 1992

[52] U.S. Cl. .... D23/213

[58] Field of Search ..... D23/213, 223-229;  
4/567-570, 599-603, 596, 615, 675-678;  
239/276, 280-281, 282-283, 288.5, 310,  
443-449, 456-460, 525, 550-552, 556-559,  
562-565, 567, 581.1, 586.8

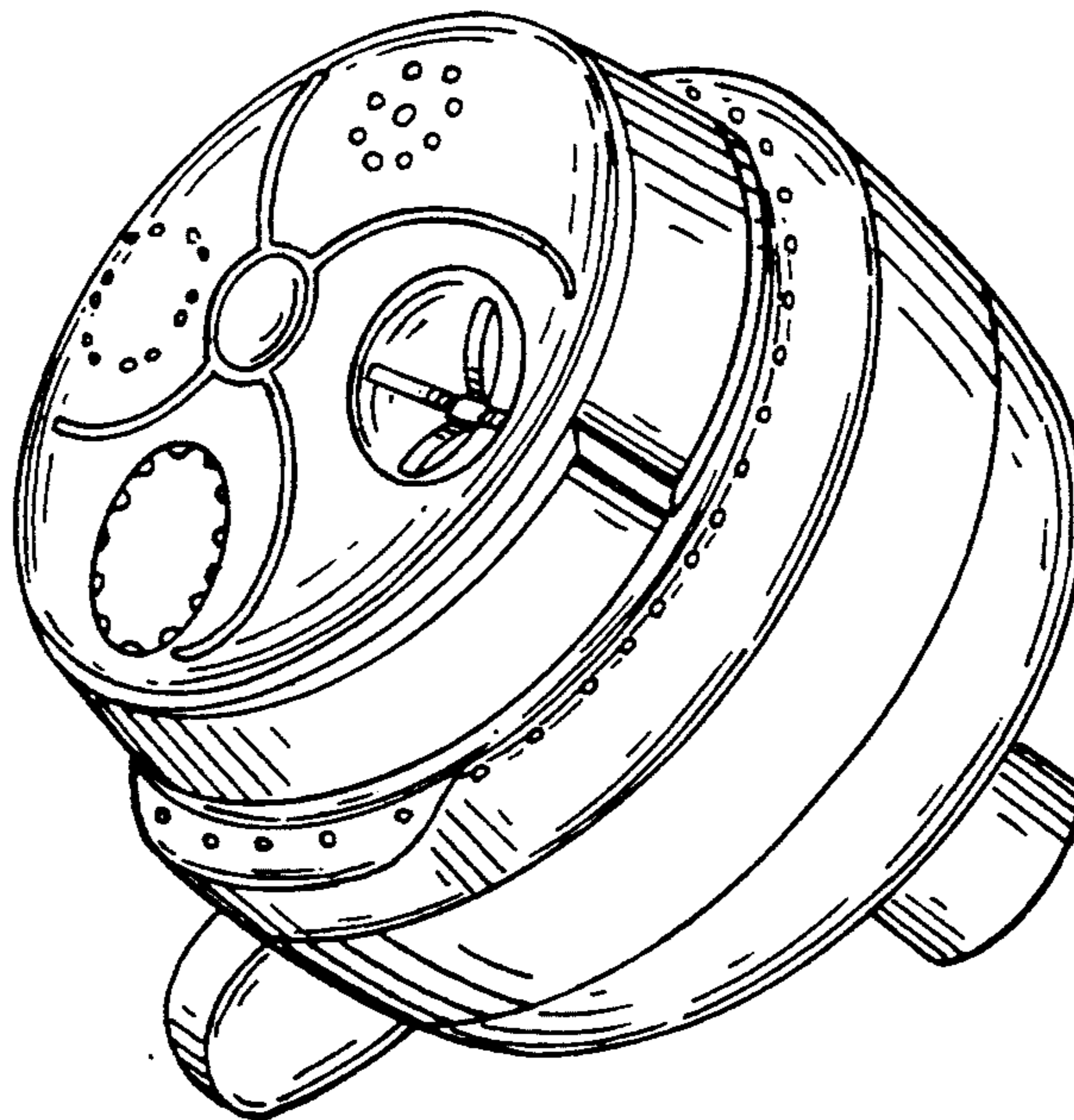
DESCRIPTION

[56] References Cited

U.S. PATENT DOCUMENTS

D. 245,860	9/1977	Grube	.....	D23/229
D. 268,359	3/1983	Klose	.....	D23/229
D. 313,456	1/1991	Pressman	.....	D23/213
D. 315,191	3/1991	Mikol	.....	D23/213
D. 325,770	4/1992	Hang et al.	.....	D23/213

FIG. 1 is a bottom plan view of the wall mounted shower head;  
FIG. 2 is a left side elevation of the wall mounted shower head;  
FIG. 3 is a right side elevation of the wall mounted shower head;  
FIG. 4 is a front elevation of the wall mounted shower head;  
FIG. 5 is a back elevation of the wall mounted shower head;  
FIG. 6 is a top plan view of the wall mounted shower head; and,  
FIG. 7 is a three-quarter perspective view taken from the front right of the wall mounted shower head.



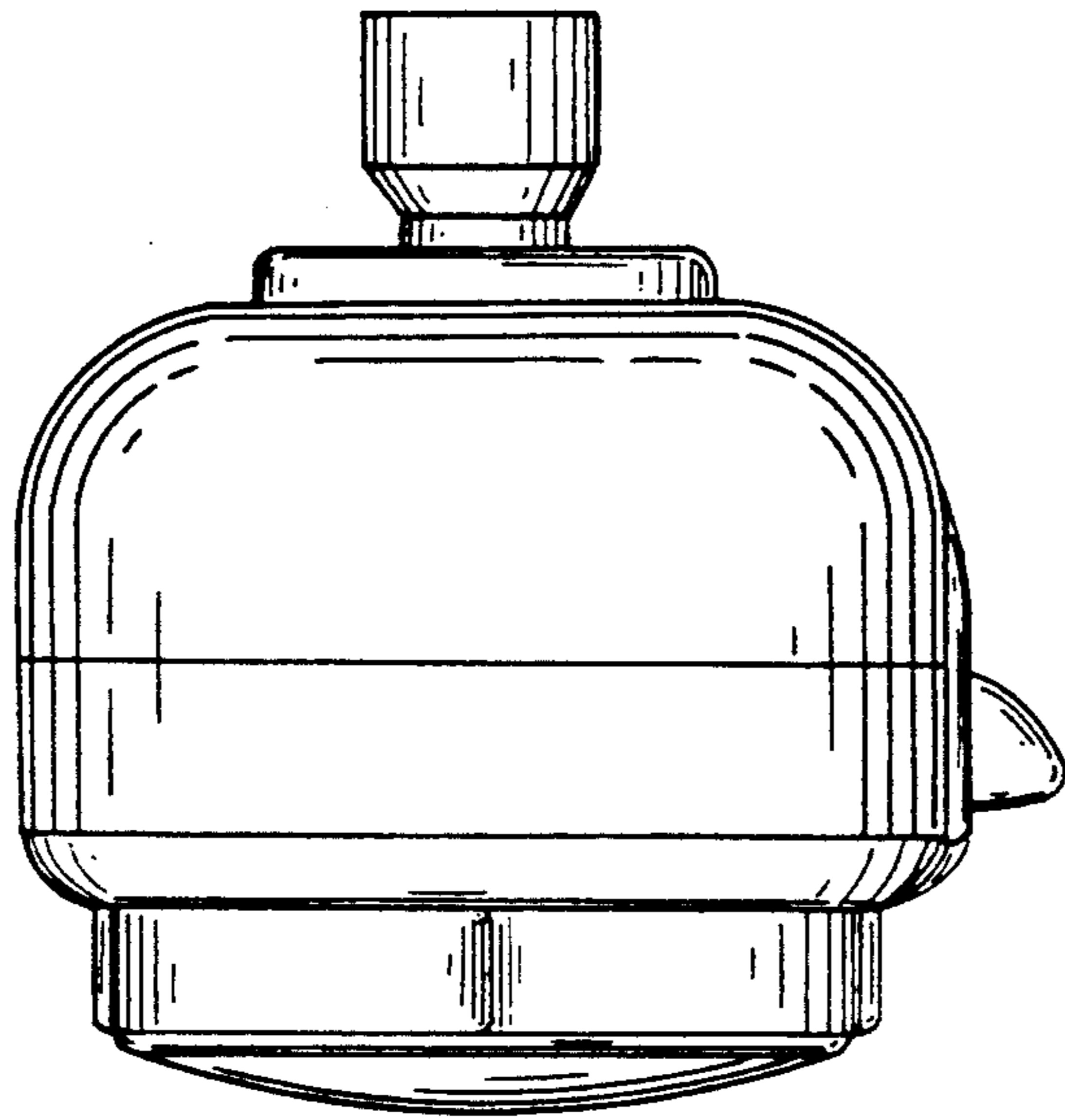


FIG. 3

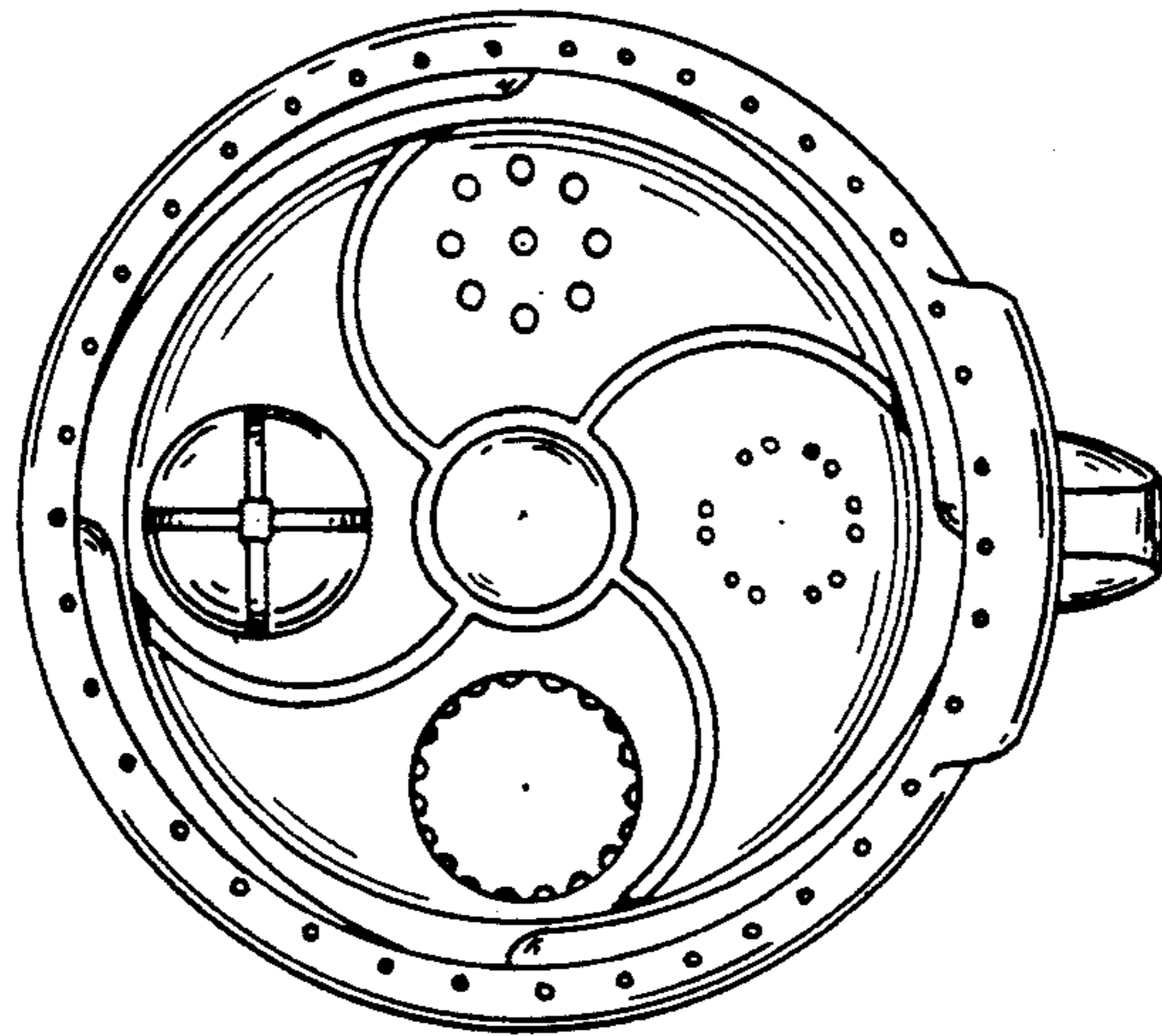


FIG. 1

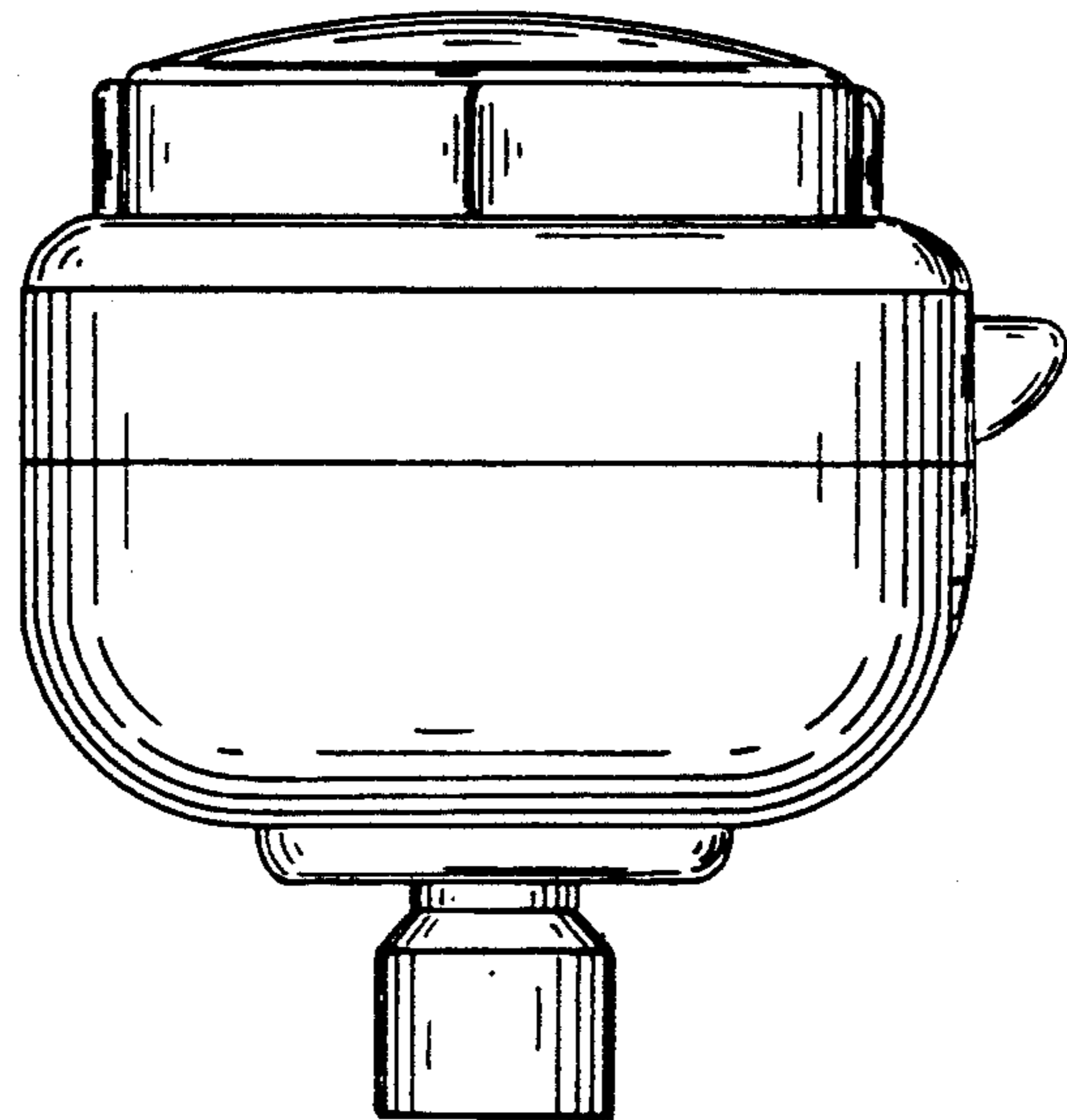


FIG. 2

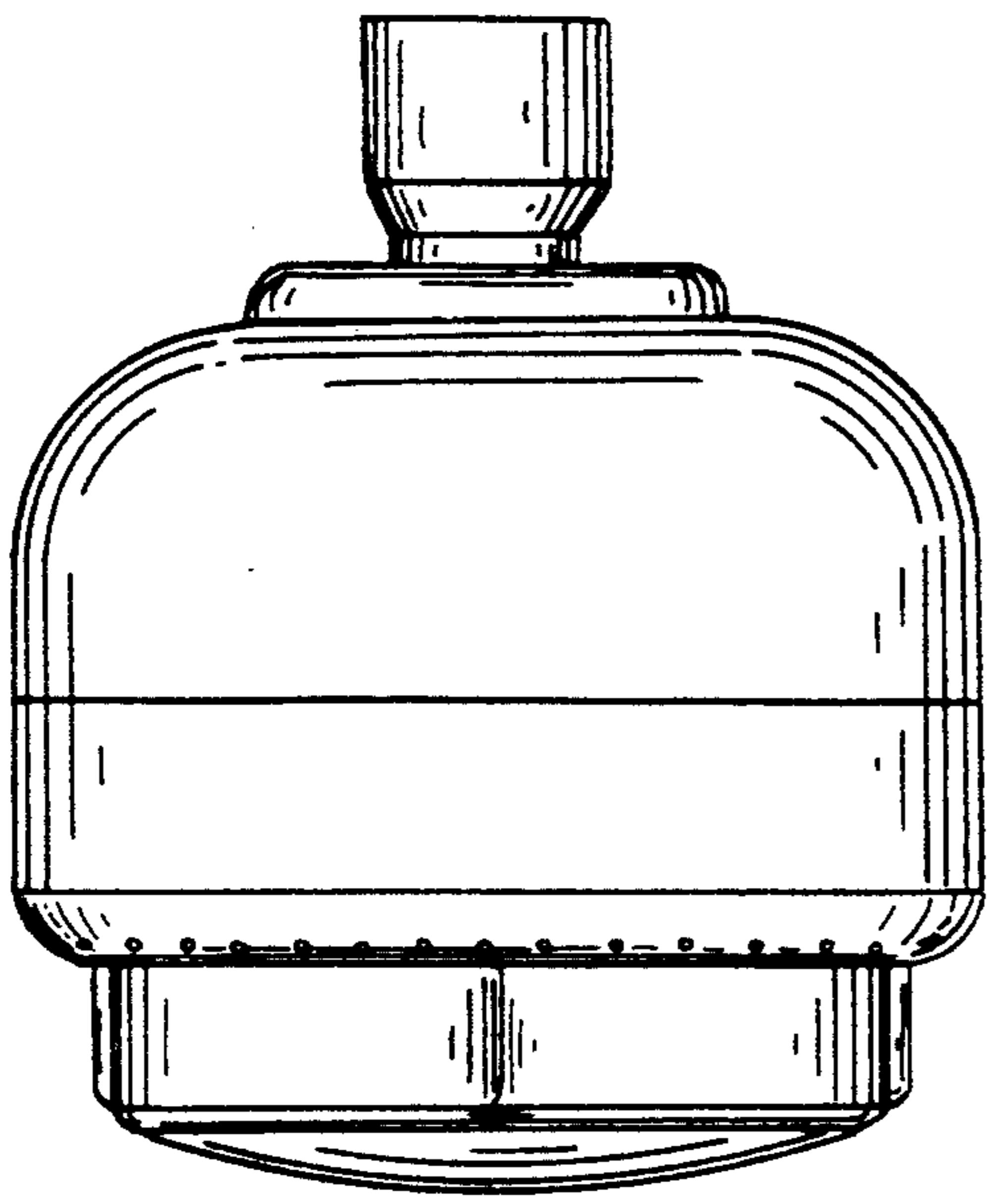


FIG. 4

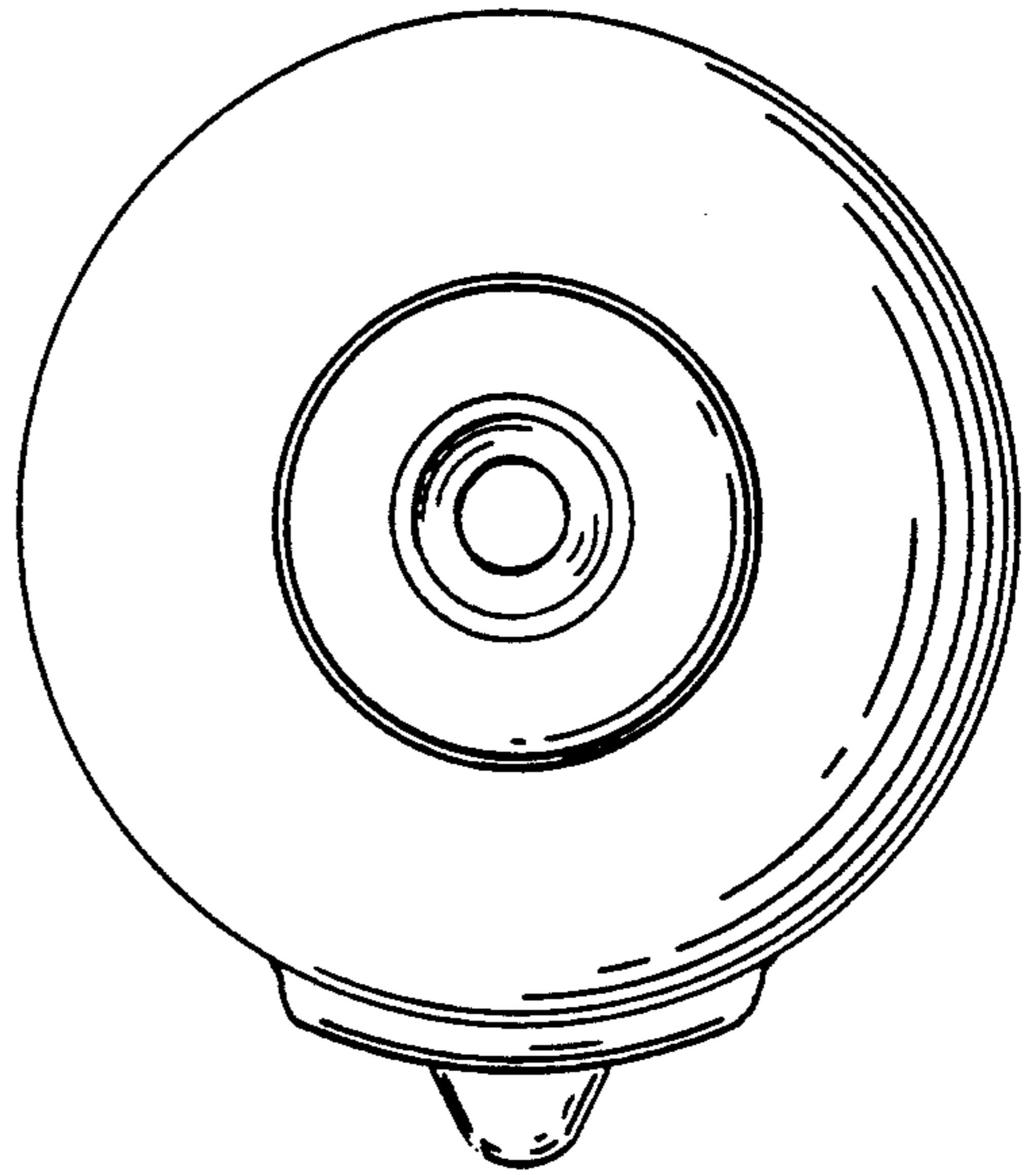


FIG. 6

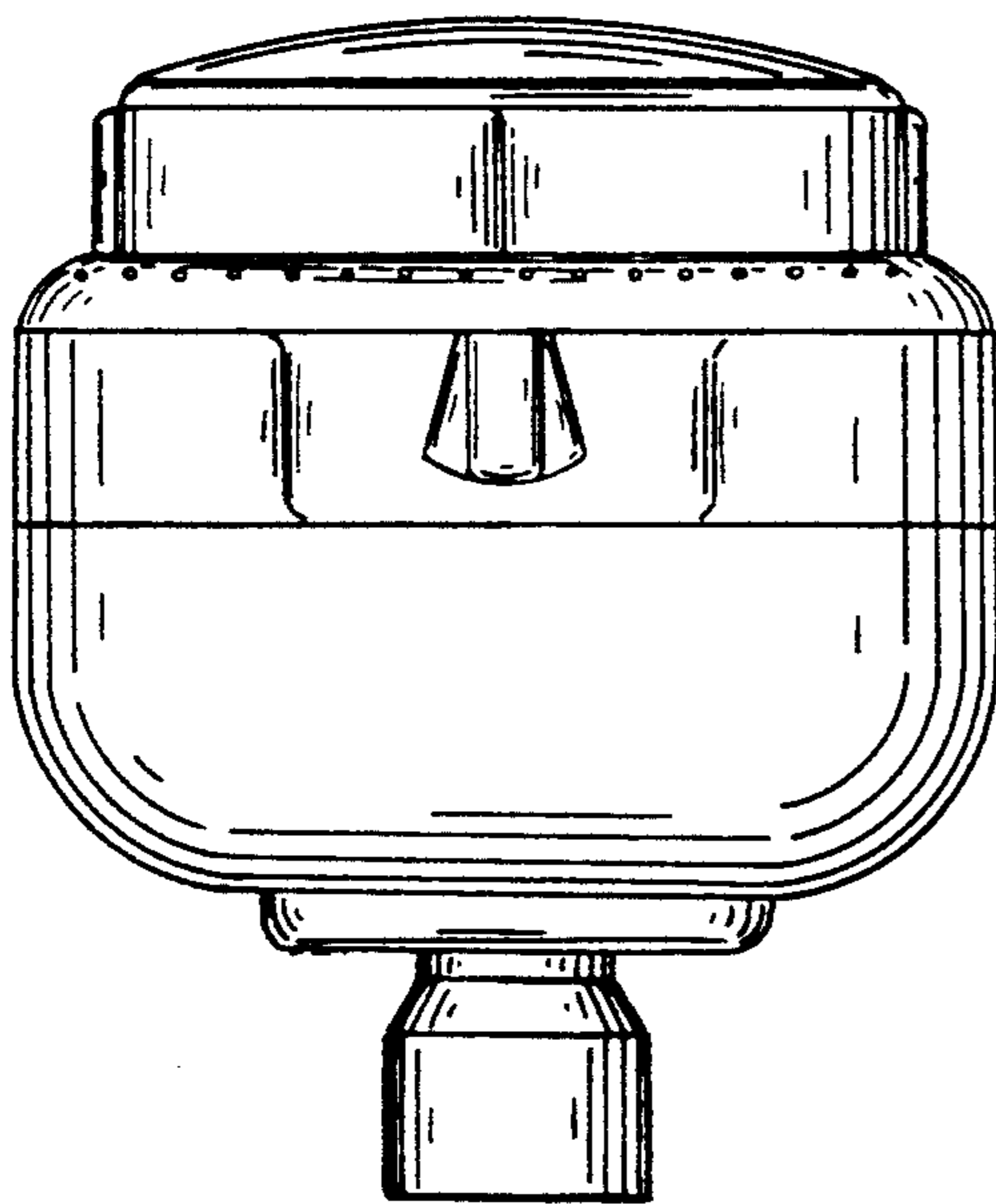


FIG. 5

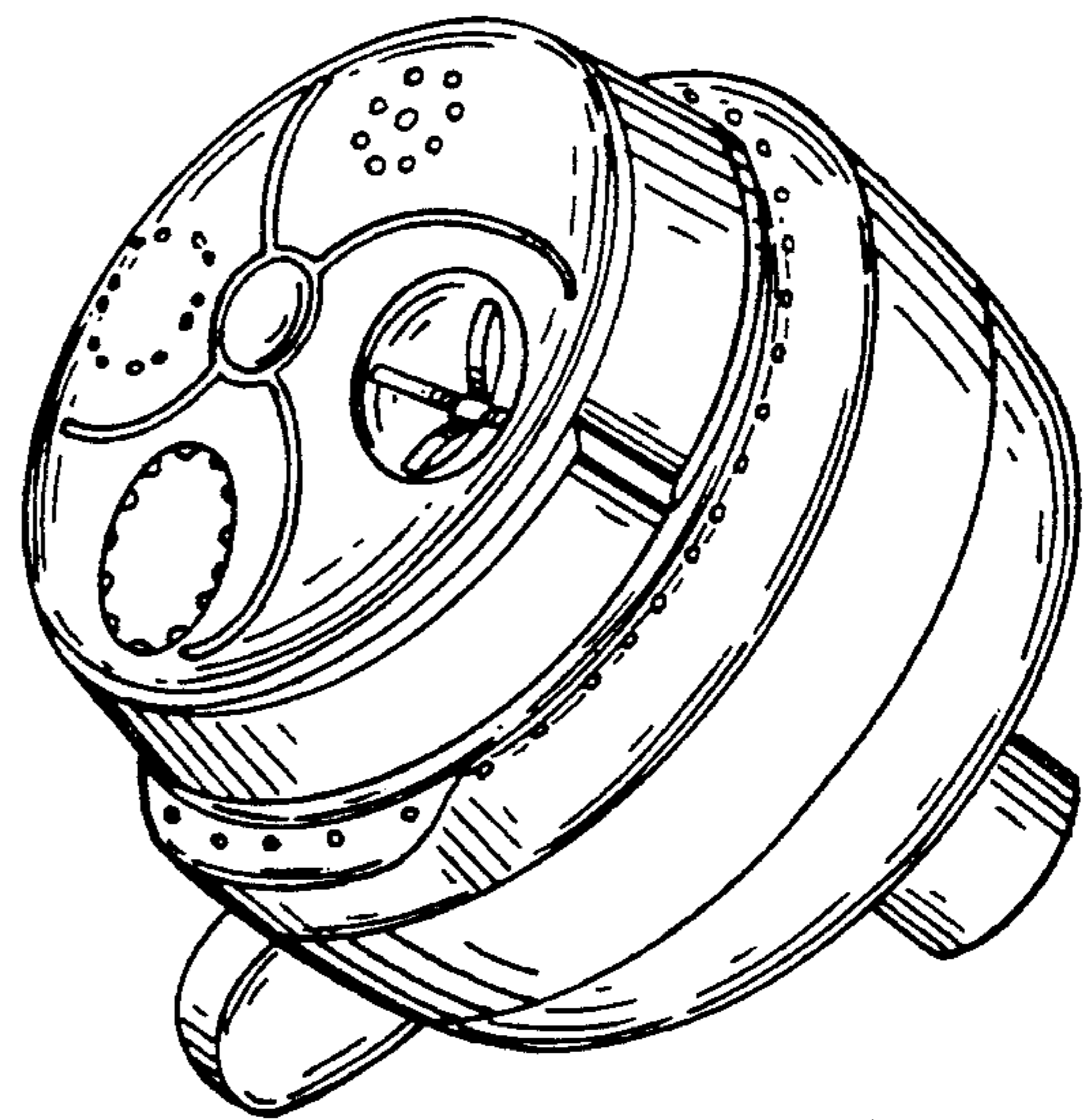


FIG. 7