



US00D342304S

United States Patent [19]

[11] Patent Number: **Des. 342,304**

Kashani

[45] Date of Patent: **** Dec. 14, 1993**

[54] **HOUSING FOR A MAGNETICALLY OPERATED FLUID CONDITIONER**

D. 331,274	11/1992	Kashani	D23/207
4,367,143	1/1983	Carpenter	210/222
4,808,306	2/1989	Mitchell et al.	210/222
4,888,113	12/1989	Holcomb	210/222

[75] Inventor: **Hooshang Kashani**, San Juan Capistrano, Calif.

Primary Examiner—Wallace R. Burke
Assistant Examiner—M. H. Tung
Attorney, Agent, or Firm—Hawes & Fischer

[73] Assignee: **Cashew Consulting, Inc.**, Irvine, Calif.

[**] Term: **14 Years**

[57] **CLAIM**

[21] Appl. No.: **802,445**

The ornamental design for a housing for a magnetically operated fluid conditioner, as shown and described.

[22] Filed: **Nov. 25, 1991**

DESCRIPTION

[52] U.S. Cl. **D23/207**

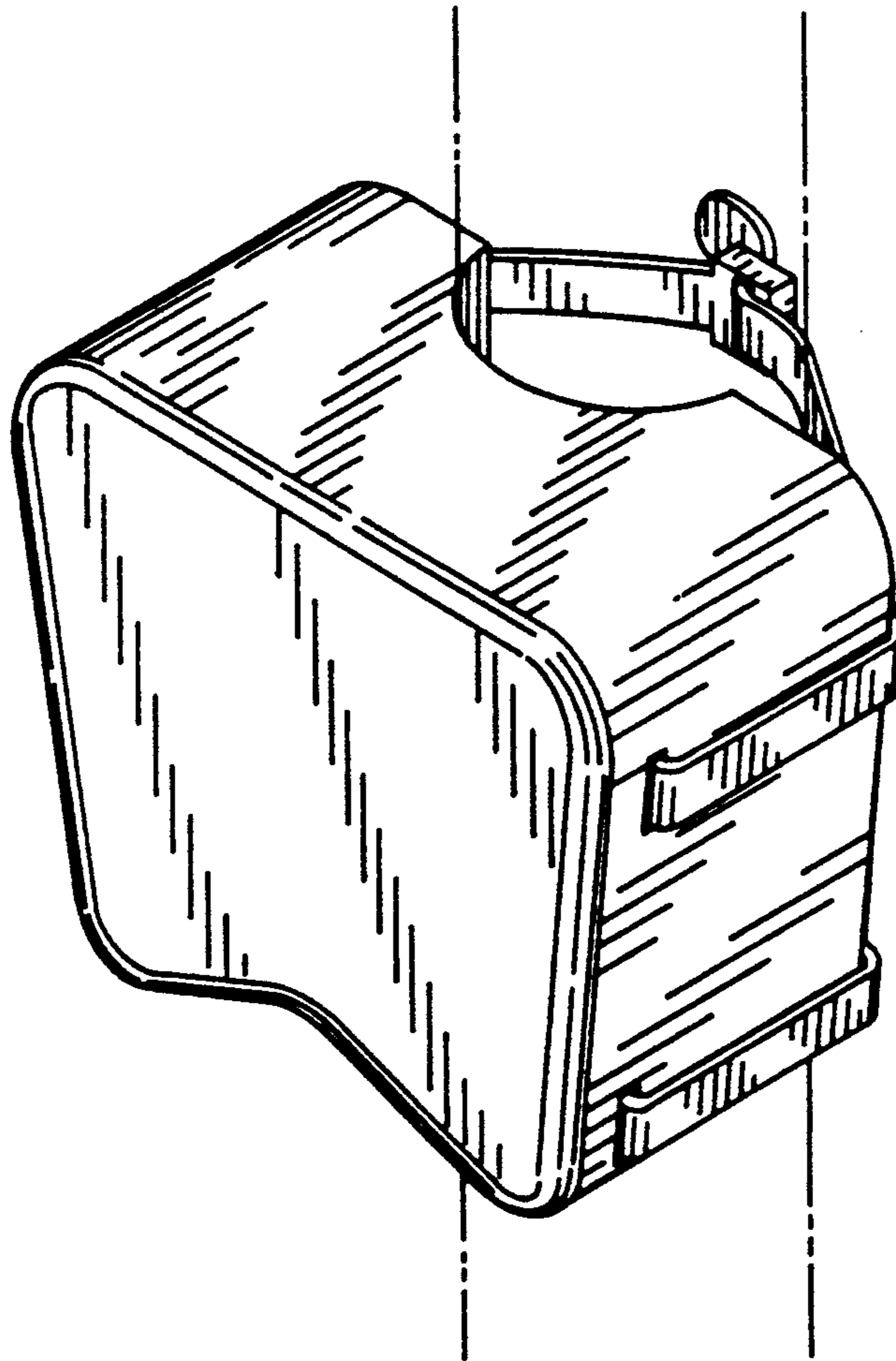
[58] **Field of Search** D23/200, 207-210; 210/97, 98.1, 205-206, 231, 244-246, 222-223, 257.1-257.2, 258, 260-261, 275, 282, 287-290, 295, 321.6, 321.78, 348, 416.3, 443-449

FIG. 1 is a perspective view showing the top, the front and the right side of a housing for a magnetically operated fluid conditioner which forms my invention, the broken lines in this and subsequent figures representing a fluid conduit that is shown for illustrative purposes only and forms no part of the claimed invention; FIG. 2 is a top plan view thereof; FIG. 3 is a bottom plan view thereof; FIG. 4 is a side elevational view thereof, this side and the opposite side being of identical design; FIG. 5 is a rear elevational view thereof; and, FIG. 6 is a front elevational view thereof.

[56] **References Cited**

U.S. PATENT DOCUMENTS

D. 262,306	12/1981	Carpenter	D23/207
D. 277,775	2/1985	Moran et al.	D23/207
D. 299,266	1/1989	Kulish	D23/207
D. 318,516	7/1991	Ellison et al.	D23/207



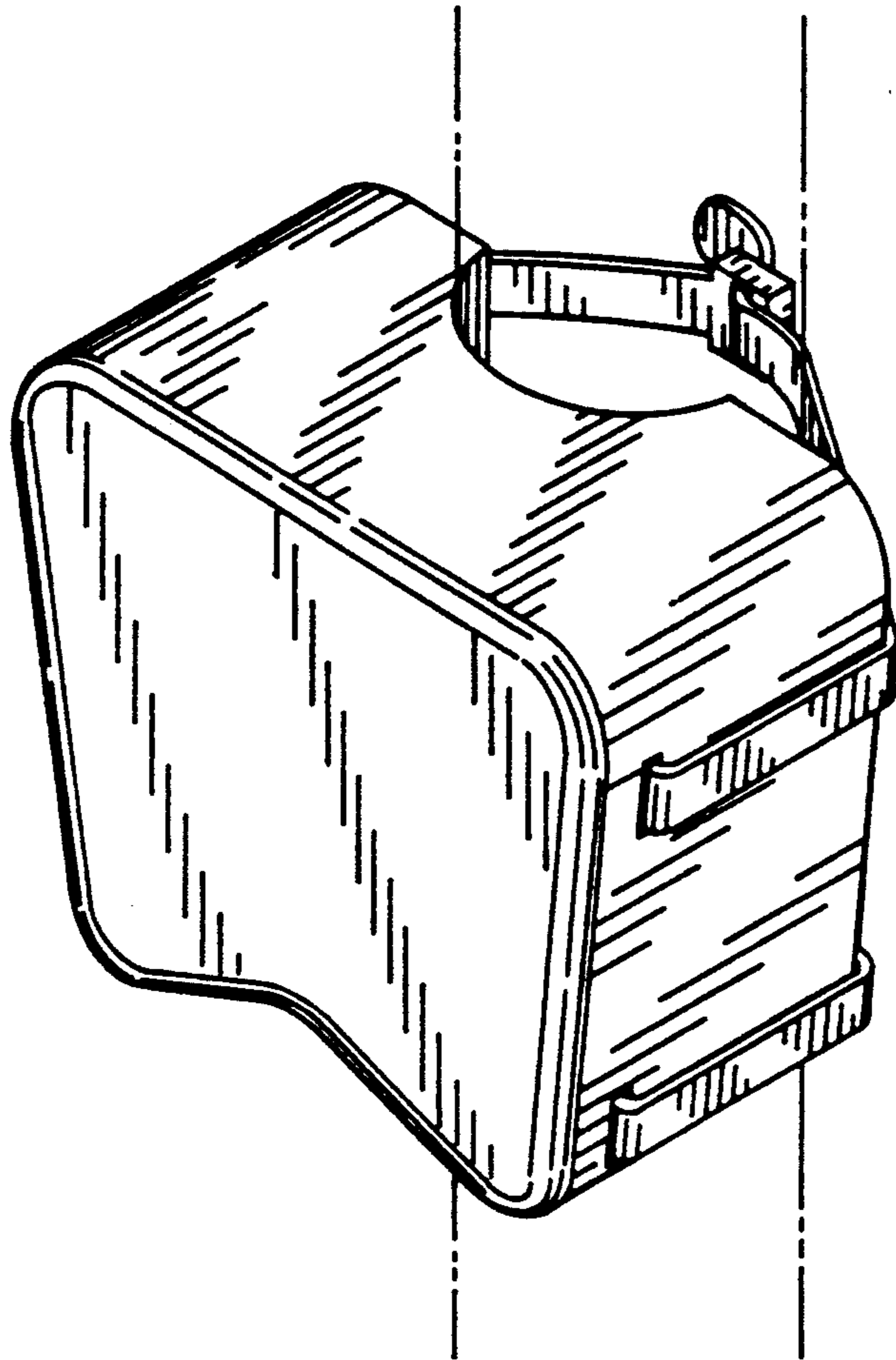


FIG. 1

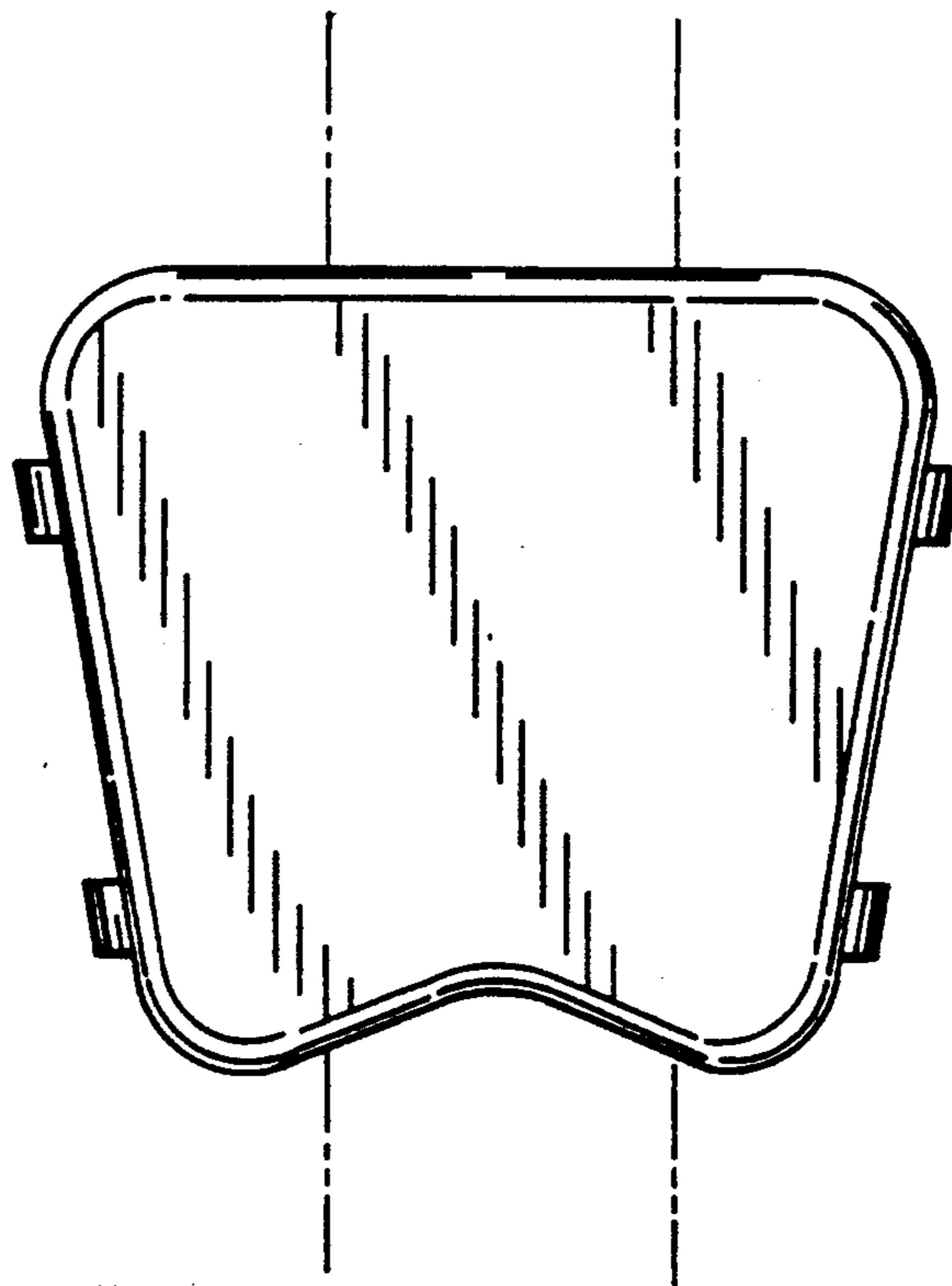


FIG. 2

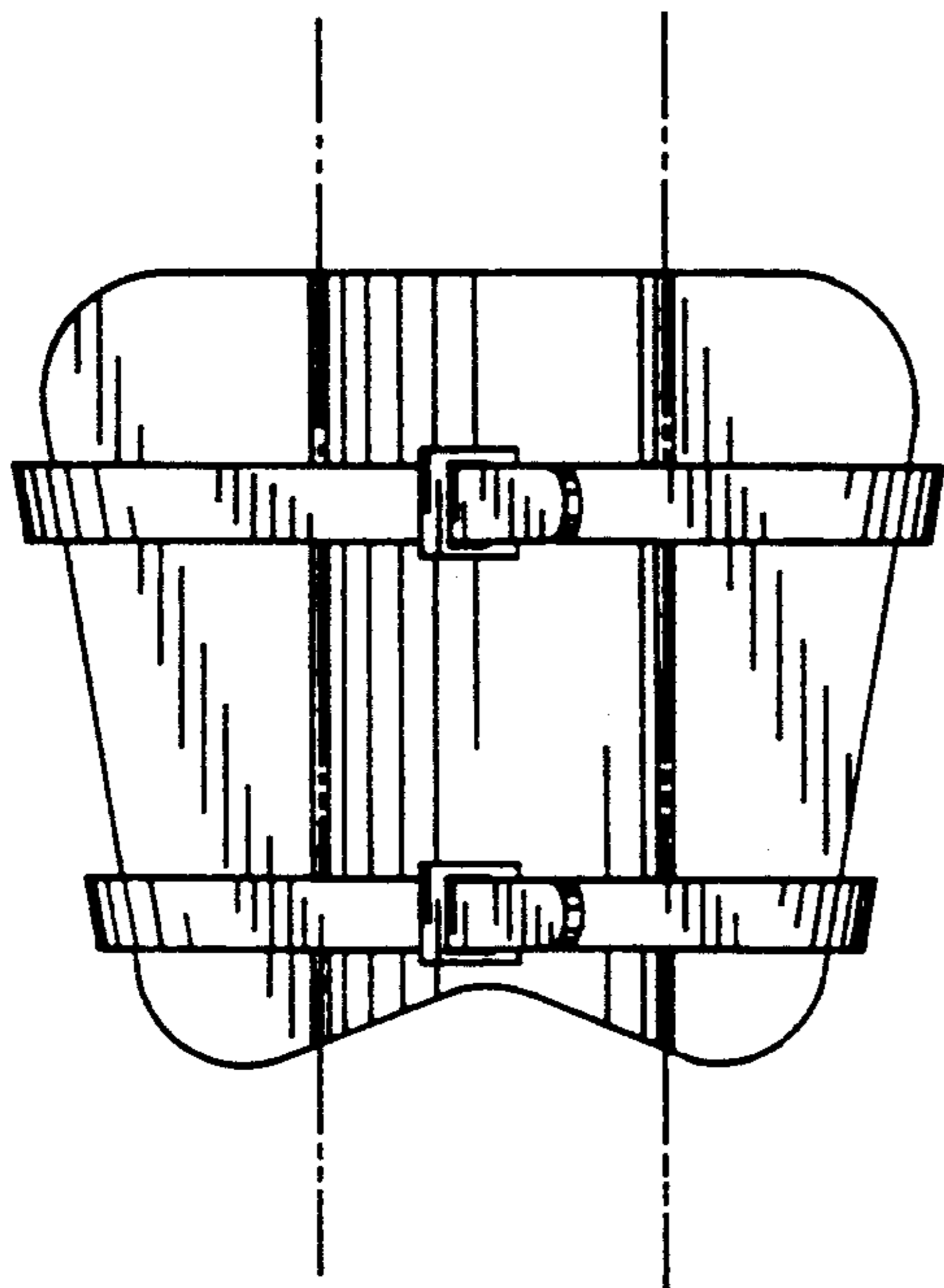


FIG. 3

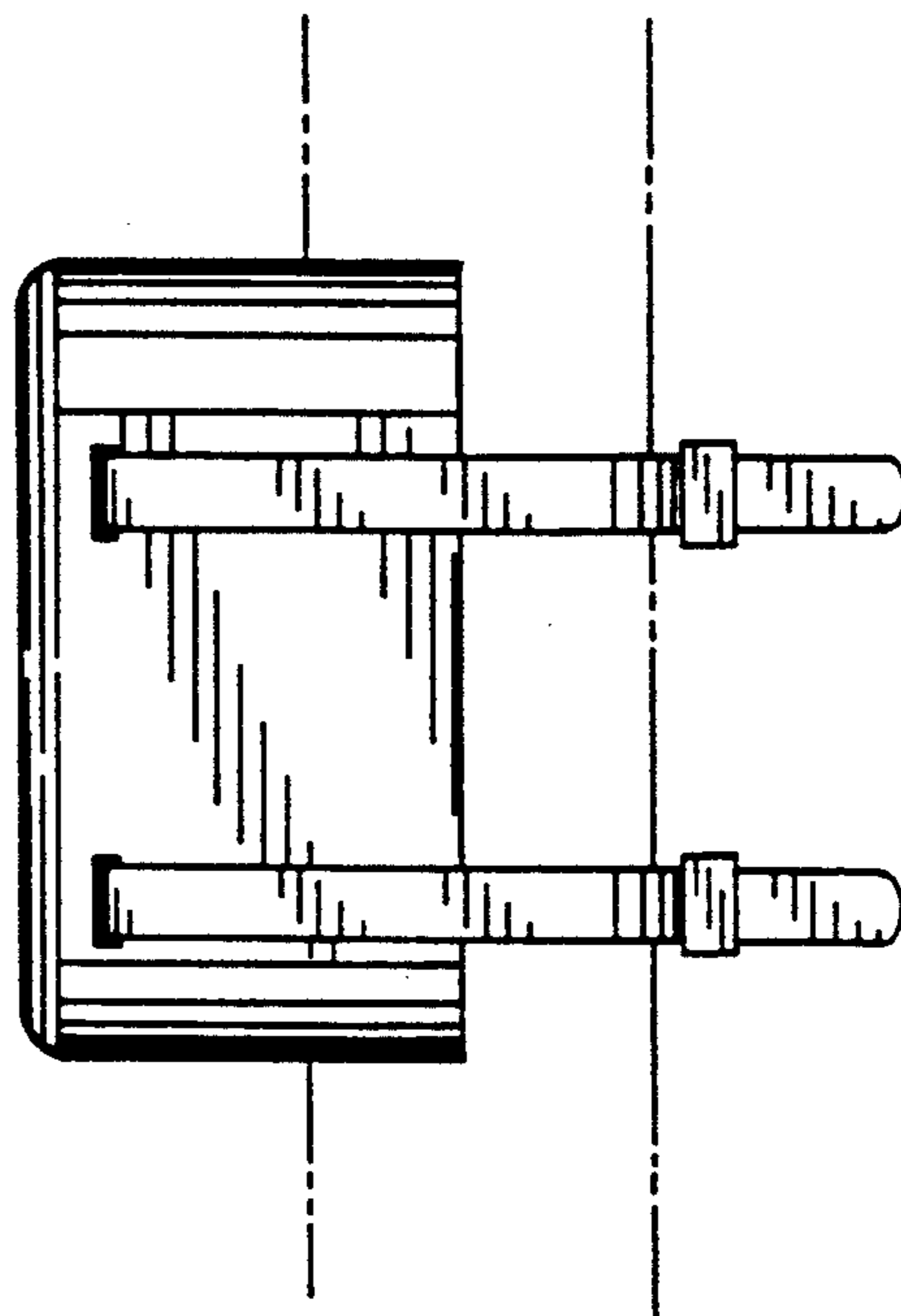


FIG. 4

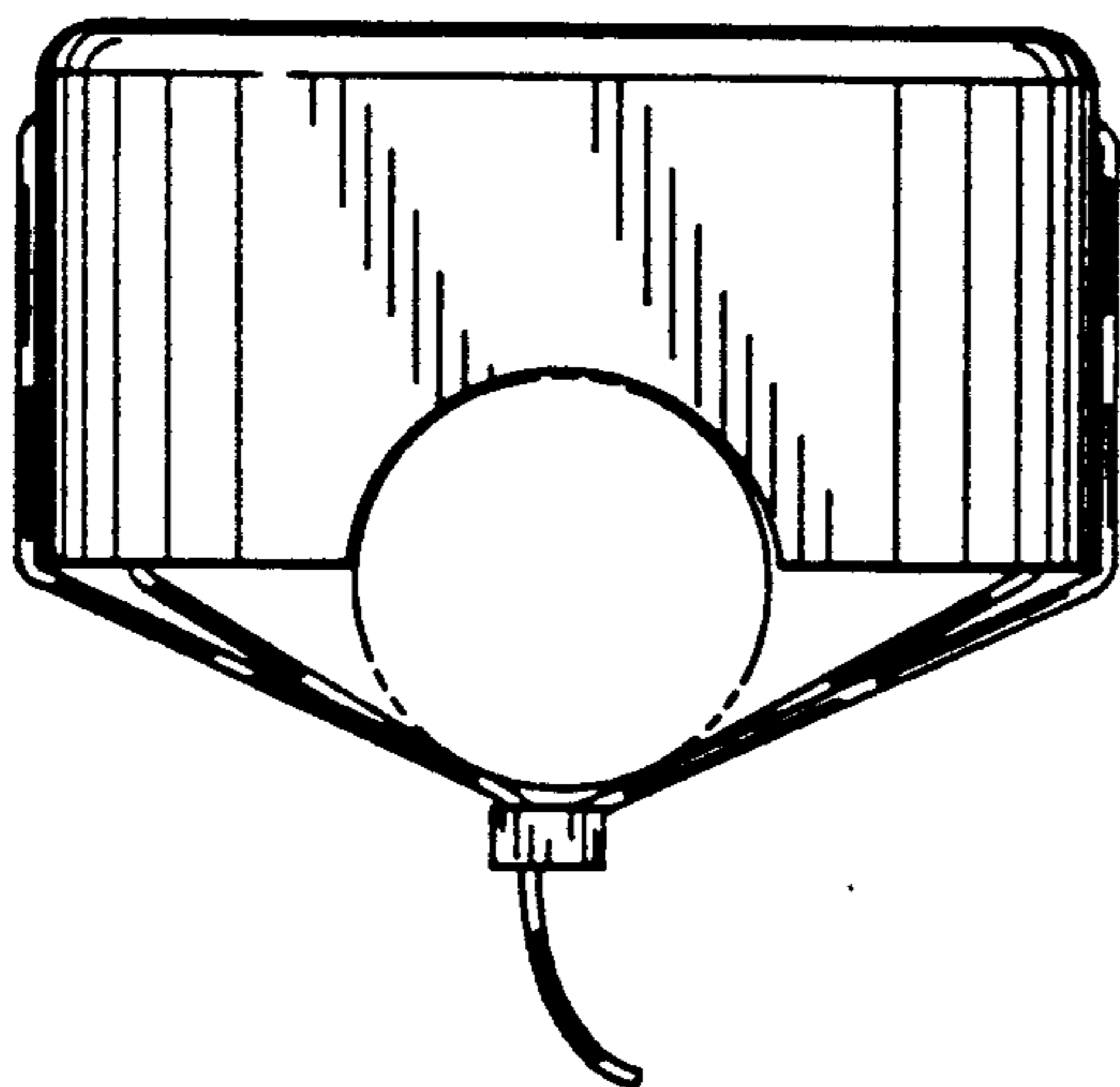


FIG. 5

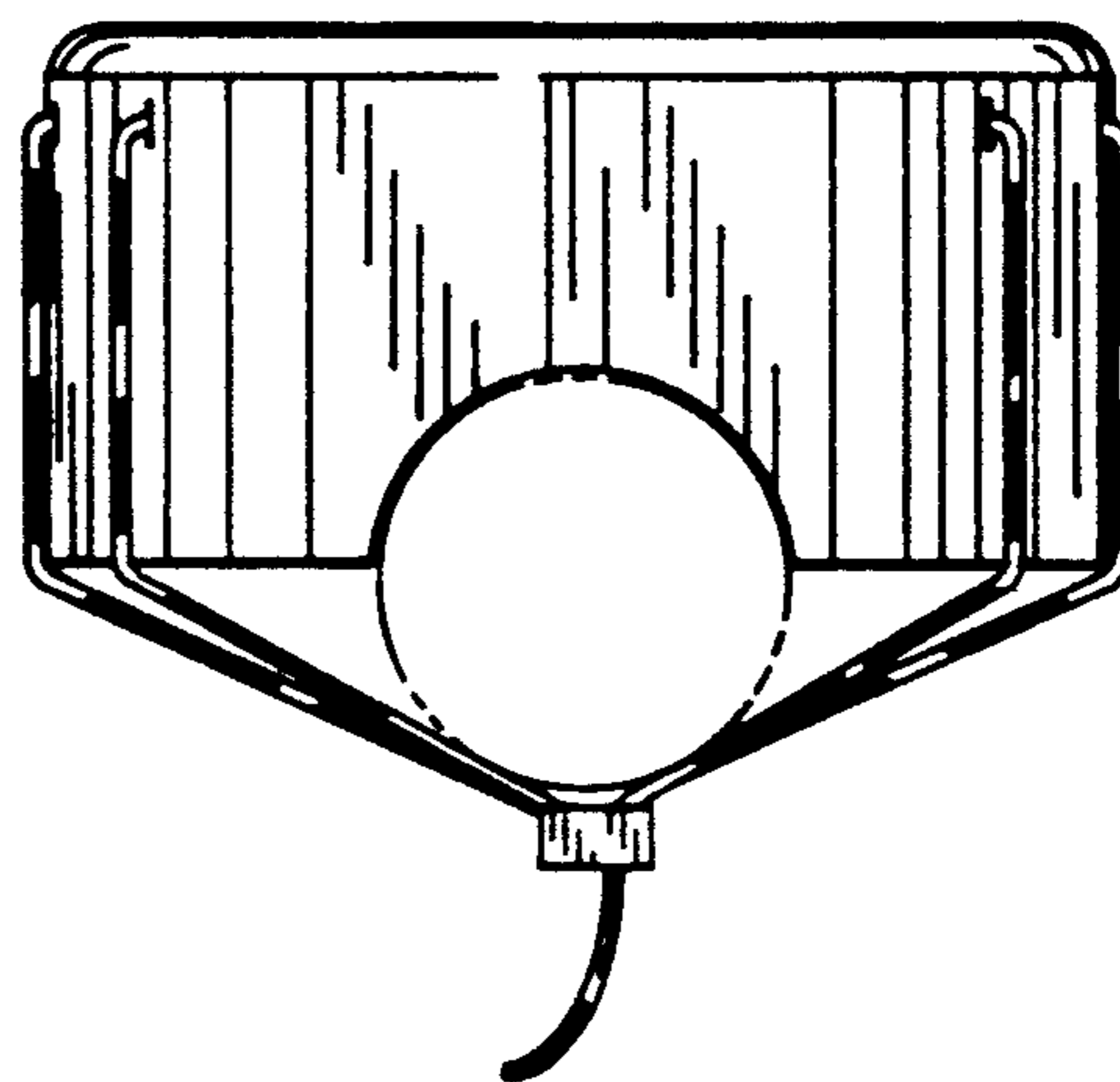


FIG. 6