



US00D342303S

United States Patent [19]

[11] Patent Number: Des. 342,303

Johnson

[45] Date of Patent: ** Dec. 14, 1993

[54] **BROADHEAD WITH EXPANDABLE BLADES AND RESILIENT O-RING**

4,976,443 12/1990 DeLucia 273/421
5,078,407 1/1992 Carlston et al. 273/421

[76] Inventor: **Gregory G. Johnson**, 3928 46th Ave., S., Minneapolis, Minn. 55406

Primary Examiner—A. Hugo Word
Assistant Examiner—Doris V. Coles
Attorney, Agent, or Firm—Burd, Bartz & Gutenkauf

[**] Term: **14 Years**

[21] Appl. No.: **725,273**

[57] **CLAIM**

[22] Filed: **Jul. 3, 1991**

The ornamental design for a broadhead with expandable blades and resilient O-ring, as shown and described.

[52] U.S. Cl. **D22/115**

[58] Field of Search **D22/115; 273/416, 418, 273/419, 421, 422**

DESCRIPTION

[56] **References Cited**

U.S. PATENT DOCUMENTS

D. 190,498	6/1961	Doonan	D22/115
D. 330,404	10/1992	Segovia	D22/115
2,289,284	7/1942	Chandler	273/422
2,568,417	9/1951	Steinbacher	273/422
2,820,634	1/1958	Vance	273/422
3,036,396	5/1962	Swails	43/6
3,578,328	5/1971	Rickey	273/422
3,738,657	6/1973	Cox	273/422
4,099,720	7/1978	Zeren	273/422
4,405,133	9/1983	Cartwright, Jr.	273/419
4,537,404	8/1985	Castellano et al.	273/422
4,579,348	4/1986	Jones	273/421
4,615,529	10/1986	Vocal	273/421
4,807,889	2/1989	Johnson	273/422
4,940,246	7/1990	Stagg	273/421

FIG. 1 is a perspective view of a broadhead with expandable blades and resilient O-ring showing of my new design;

FIG. 2 is a top plan view thereof;

FIG. 3 is a side elevational view of the left side thereof;

FIG. 4 is a side view of the right side thereof;

FIG. 5 is a bottom plan view thereof;

FIG. 6 is a front elevational view thereof;

FIG. 7 is a rear elevational view thereof;

FIG. 8 is a perspective view showing the resilient O-ring removed and the blades open;

FIG. 9 is a side view of the right side of FIG. 8;

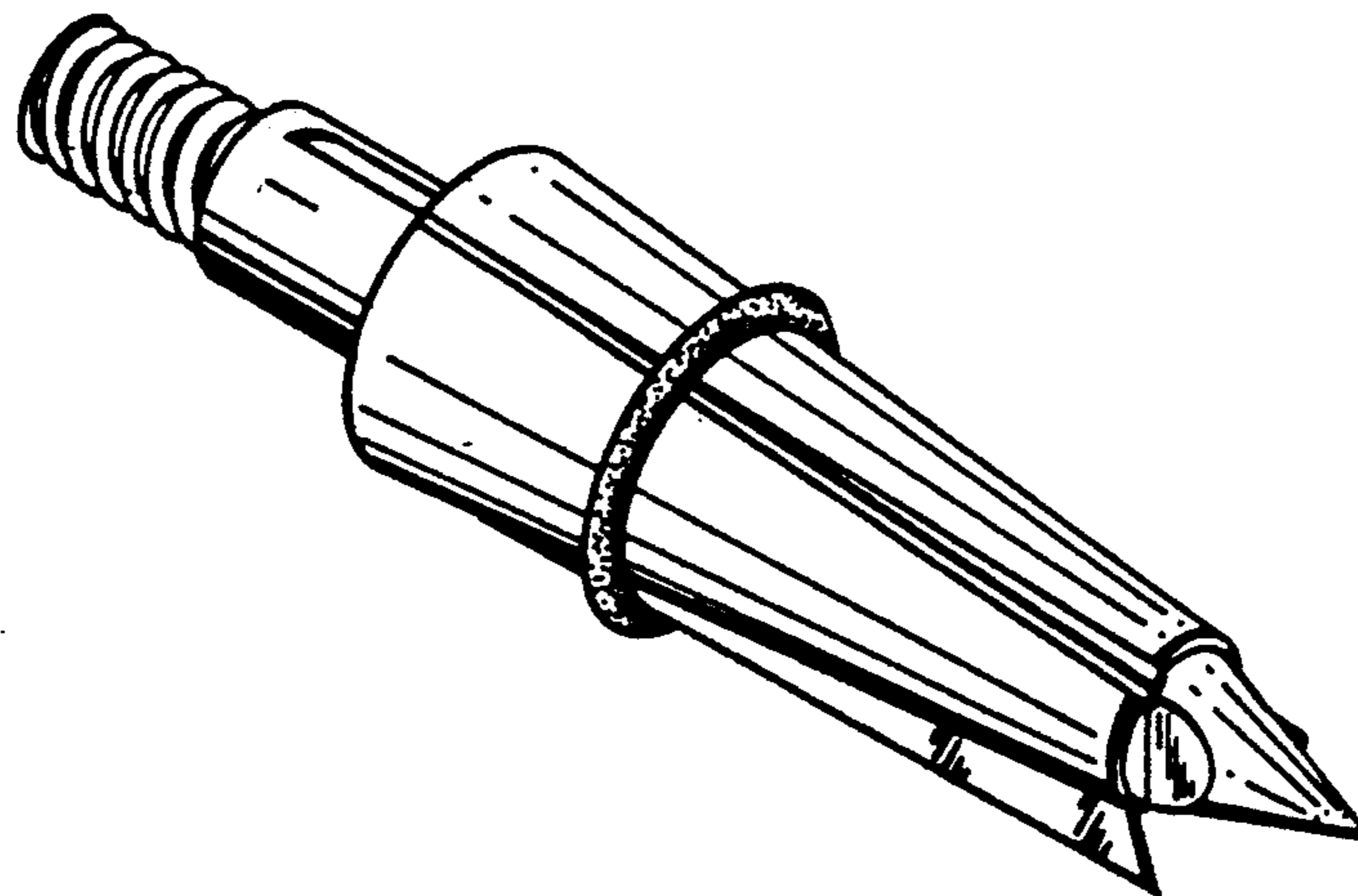
FIG. 10 is a side view of the left side of FIG. 8;

FIG. 11 is a bottom plan view of FIG. 8;

FIG. 12 is a top plan view of FIG. 8;

FIG. 13 is a front elevational view of FIG. 8; and,

FIG. 14 is a rear elevational view of FIG. 8.



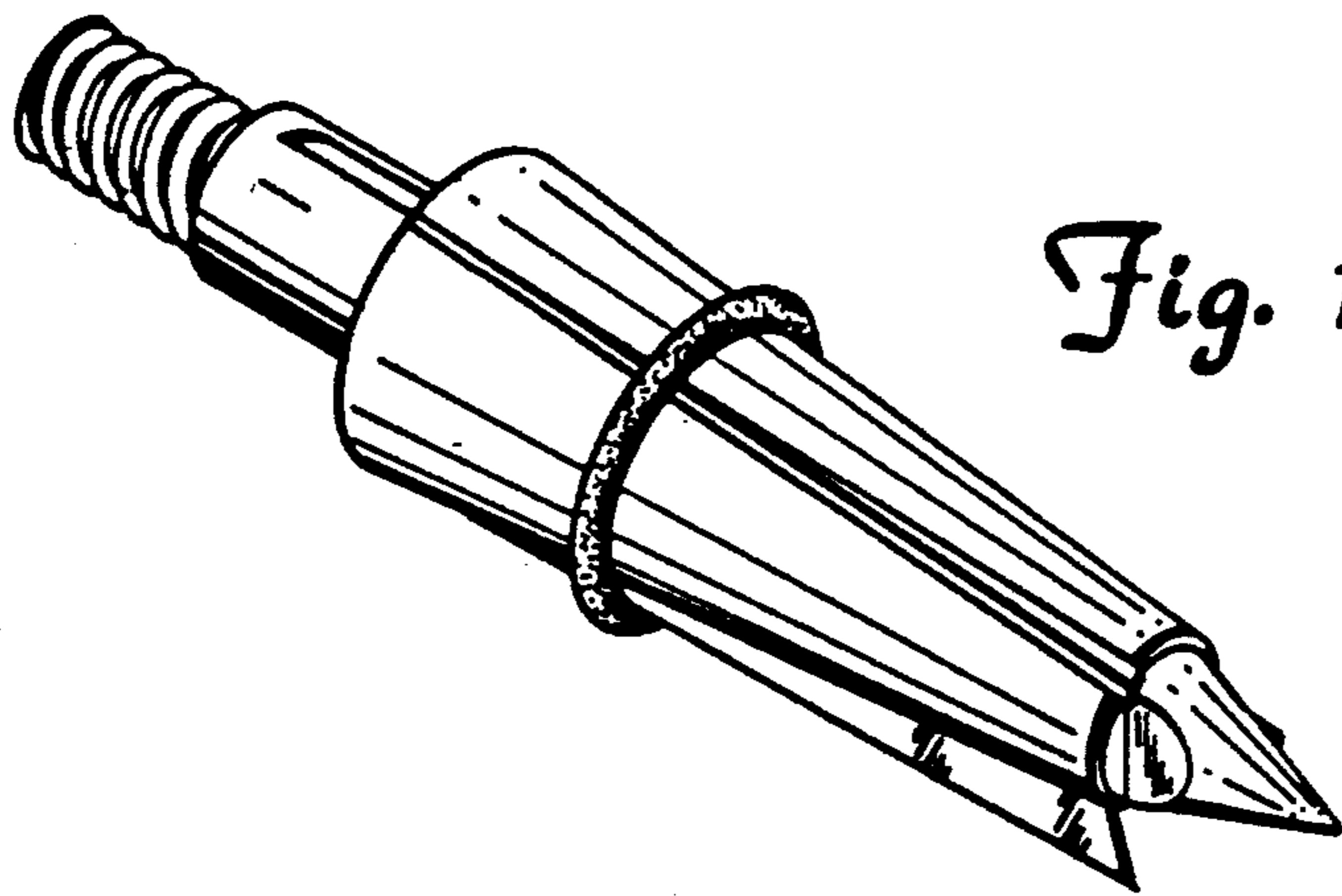


Fig. 1

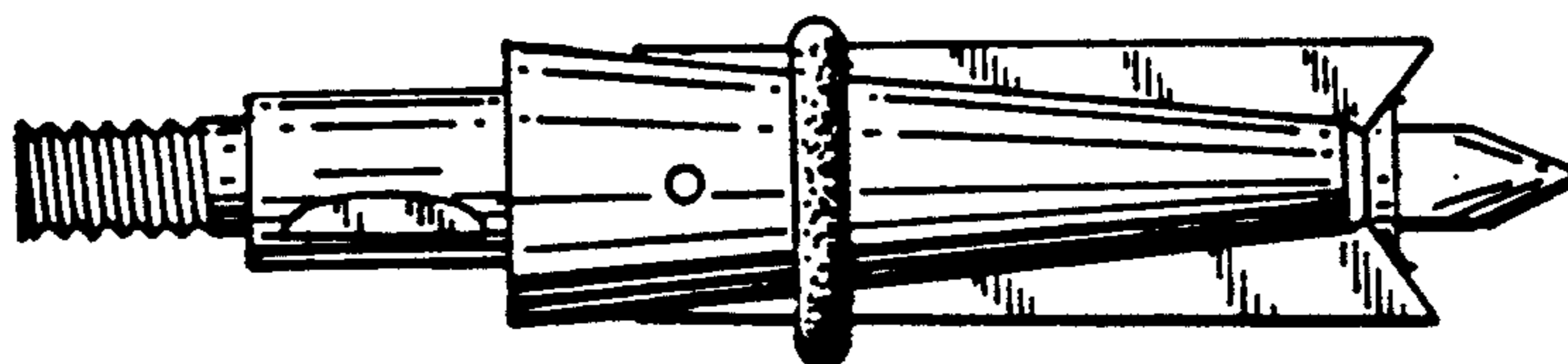


Fig. 2

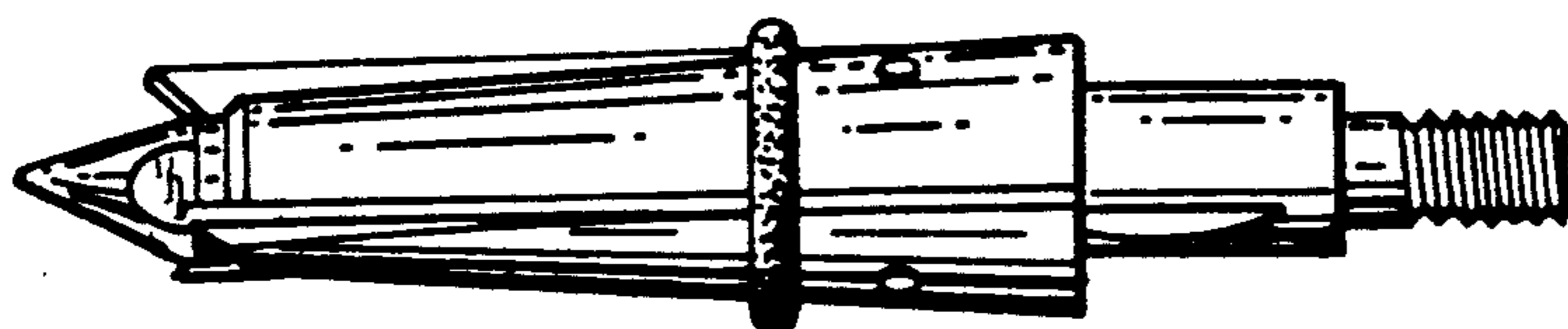


Fig. 3

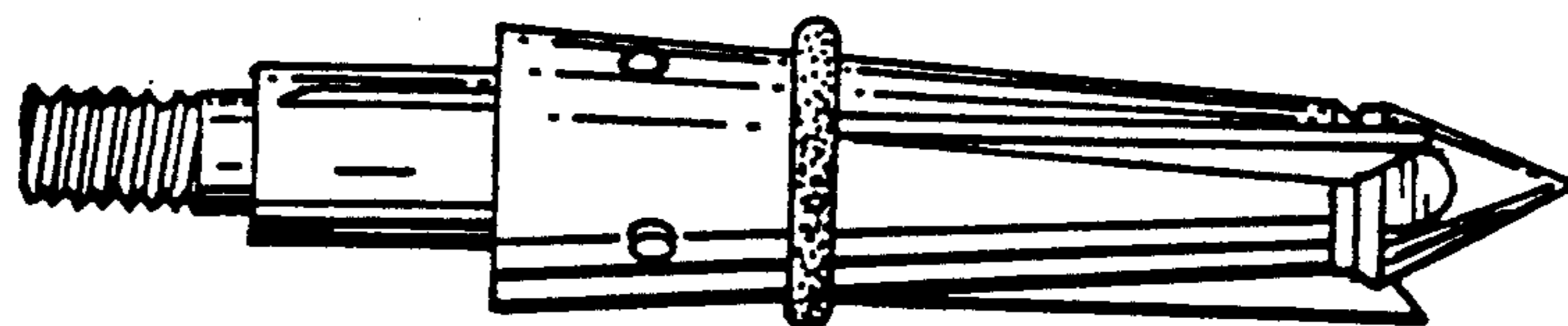


Fig. 4

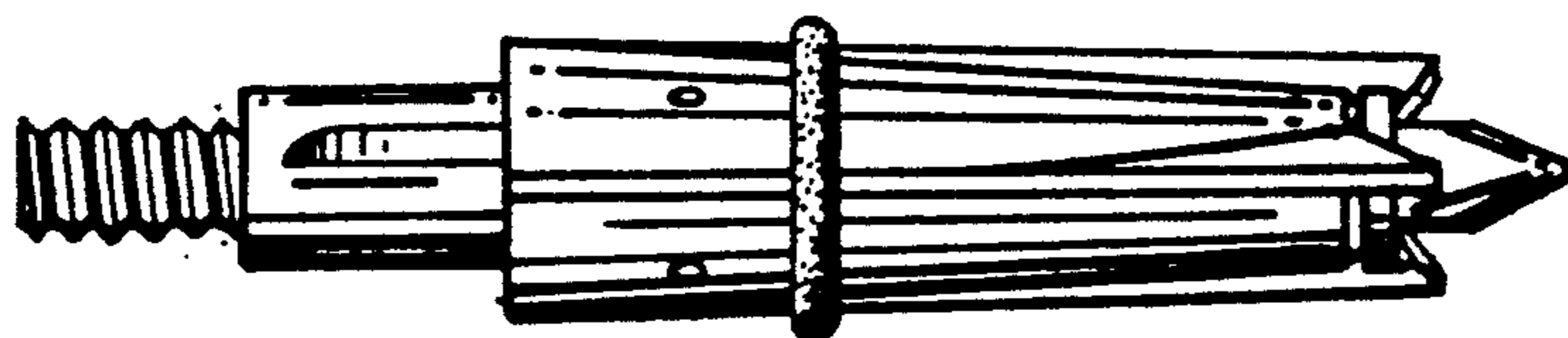


Fig. 5



Fig. 6



Fig. 7

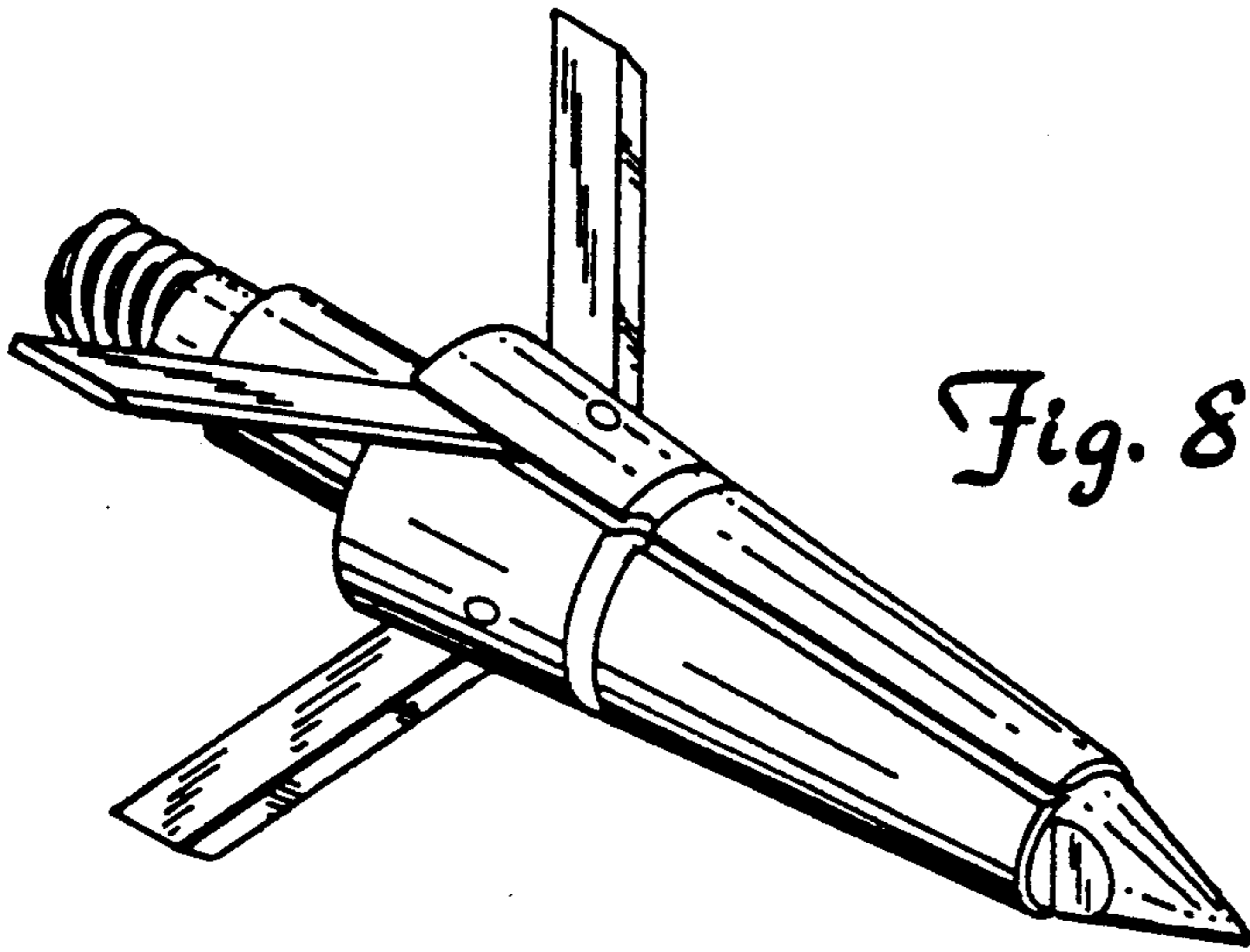


Fig. 8

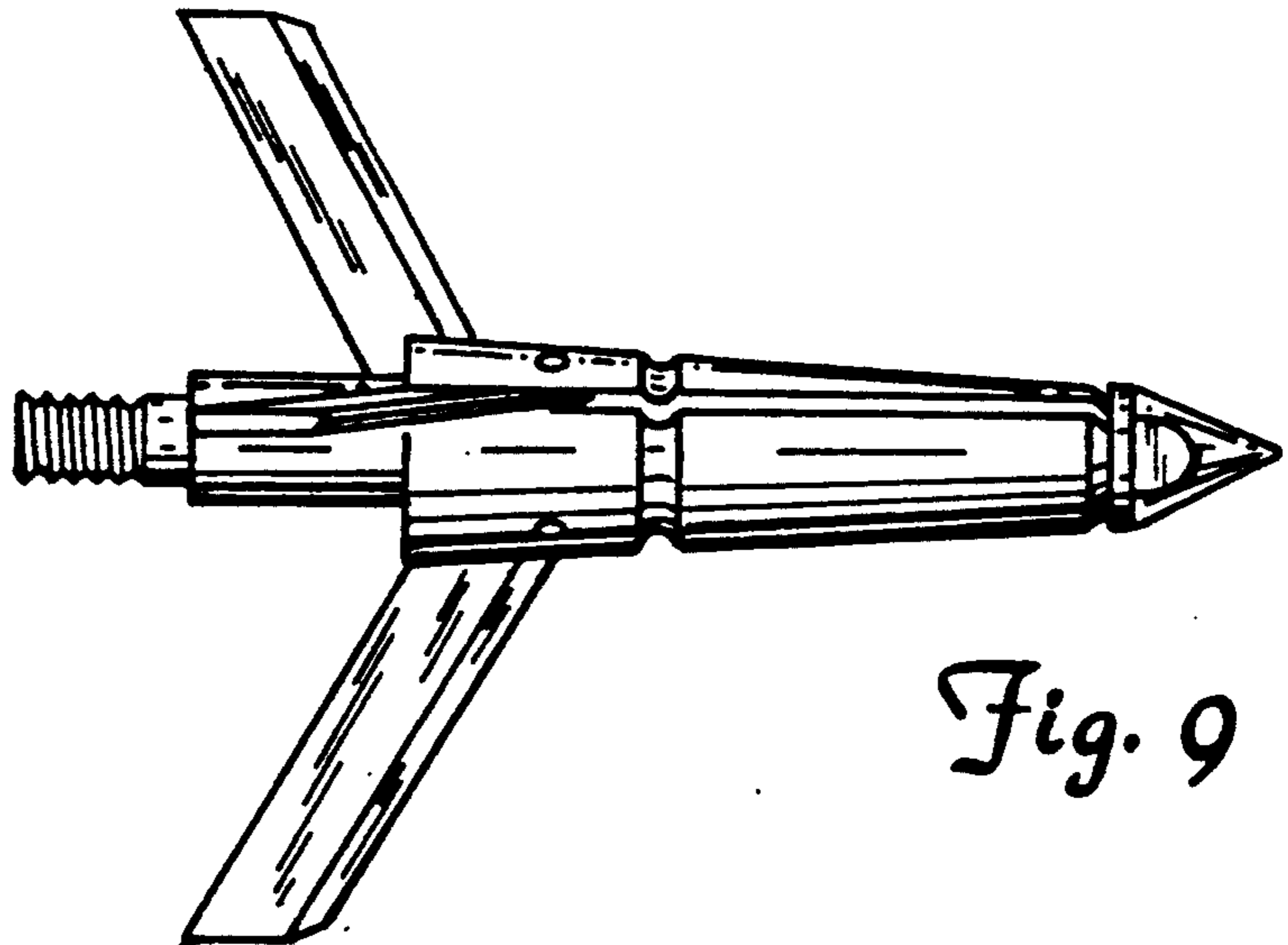


Fig. 9

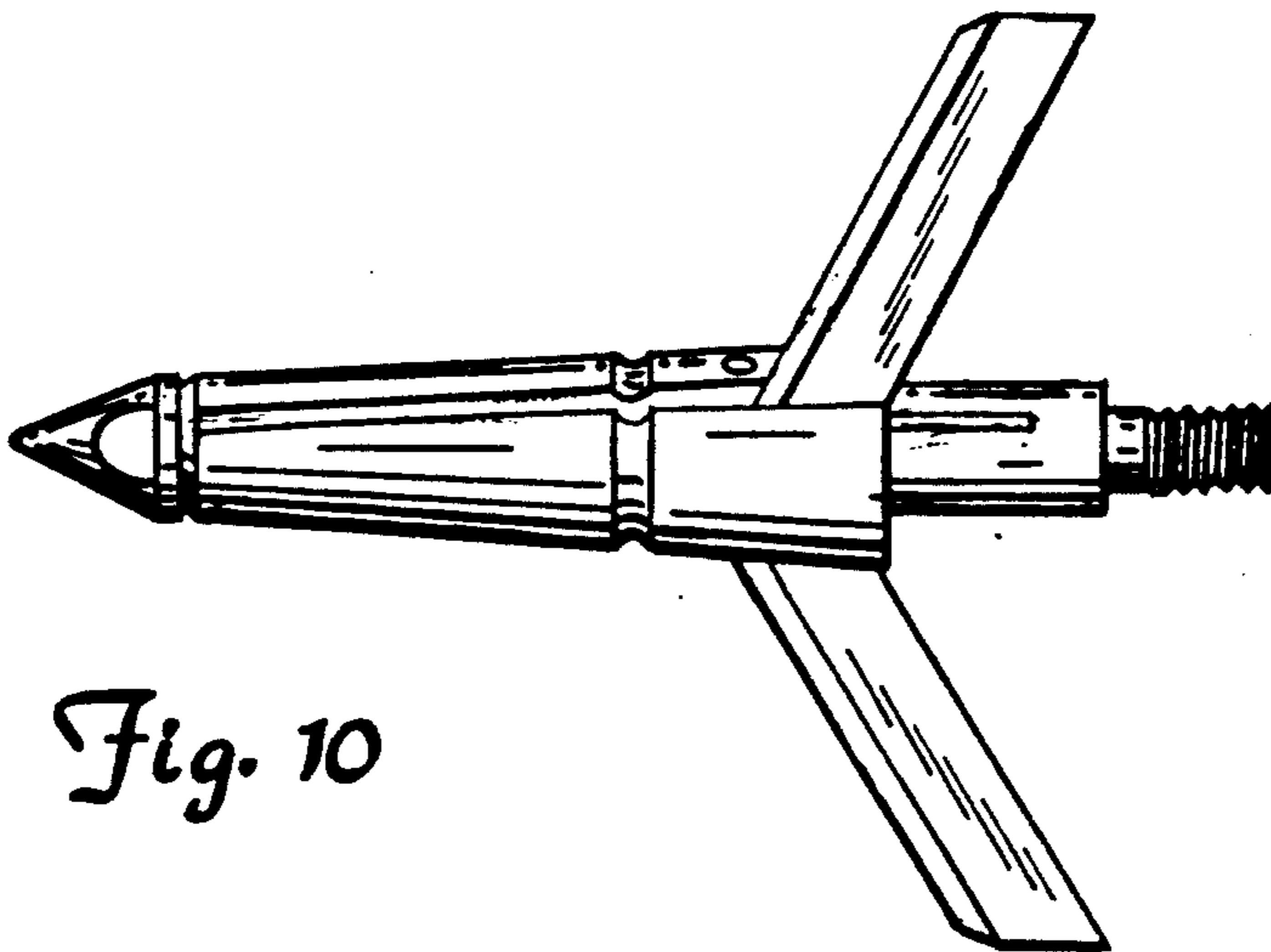


Fig. 10

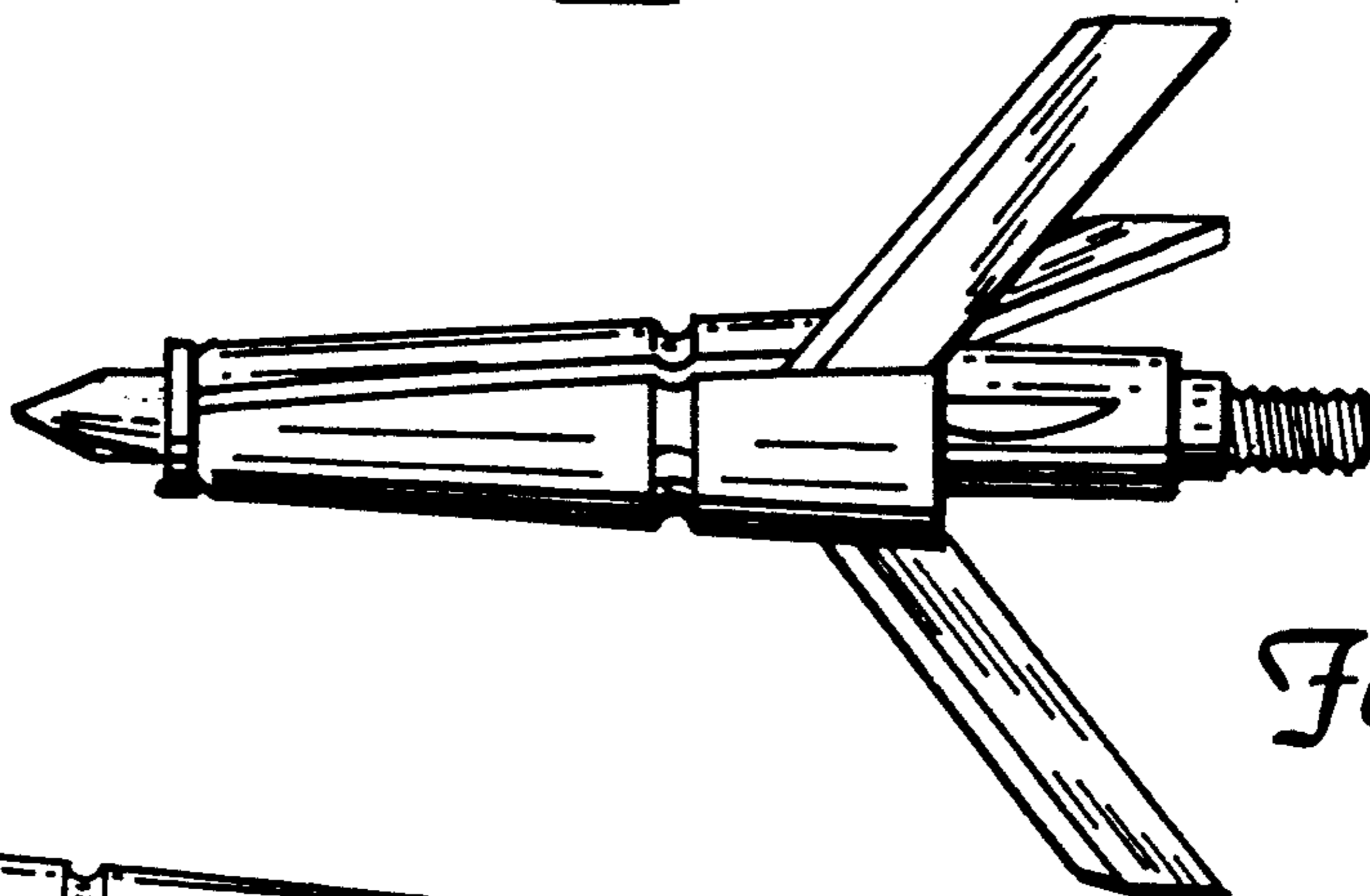


Fig. 11

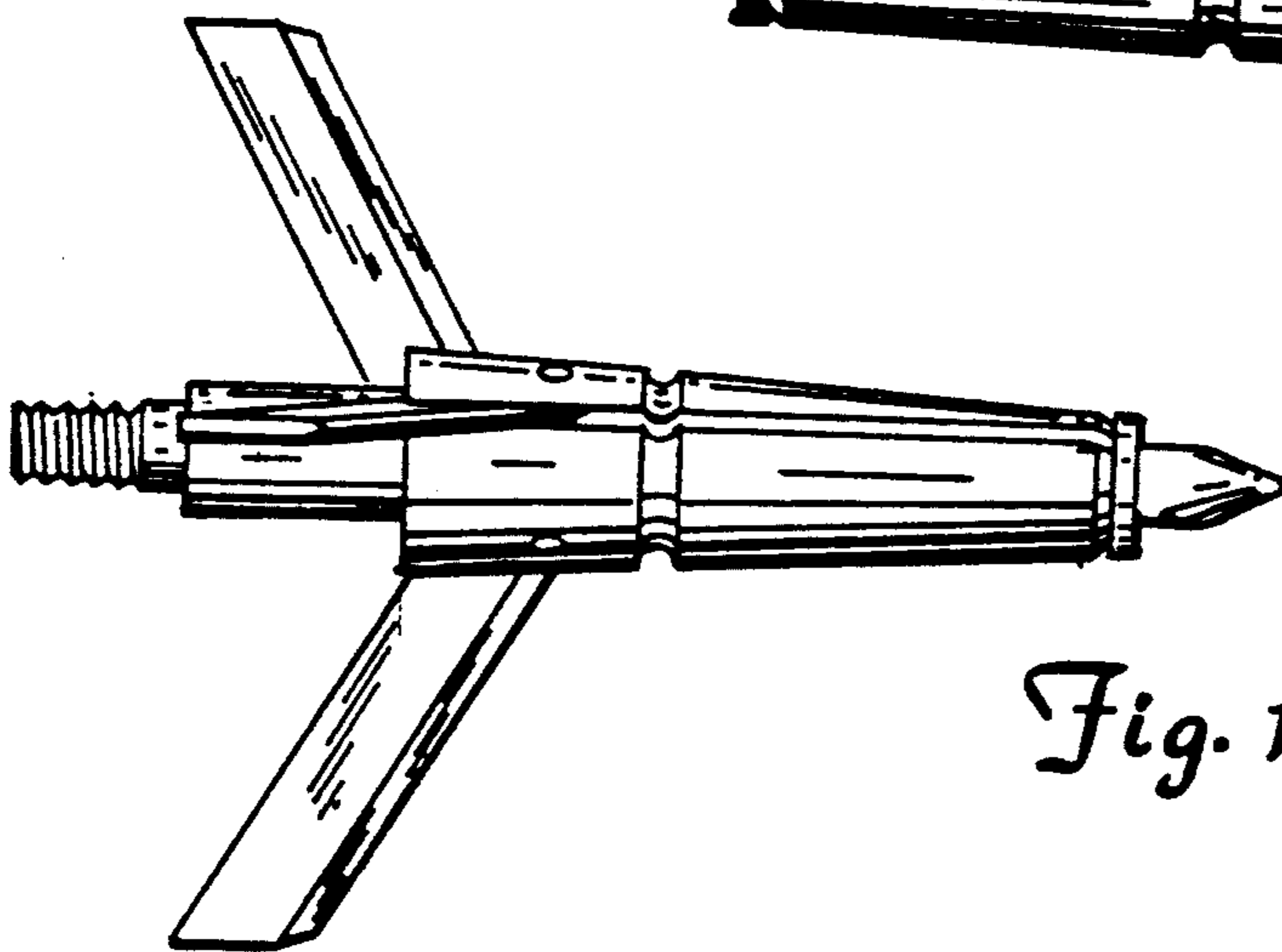


Fig. 12

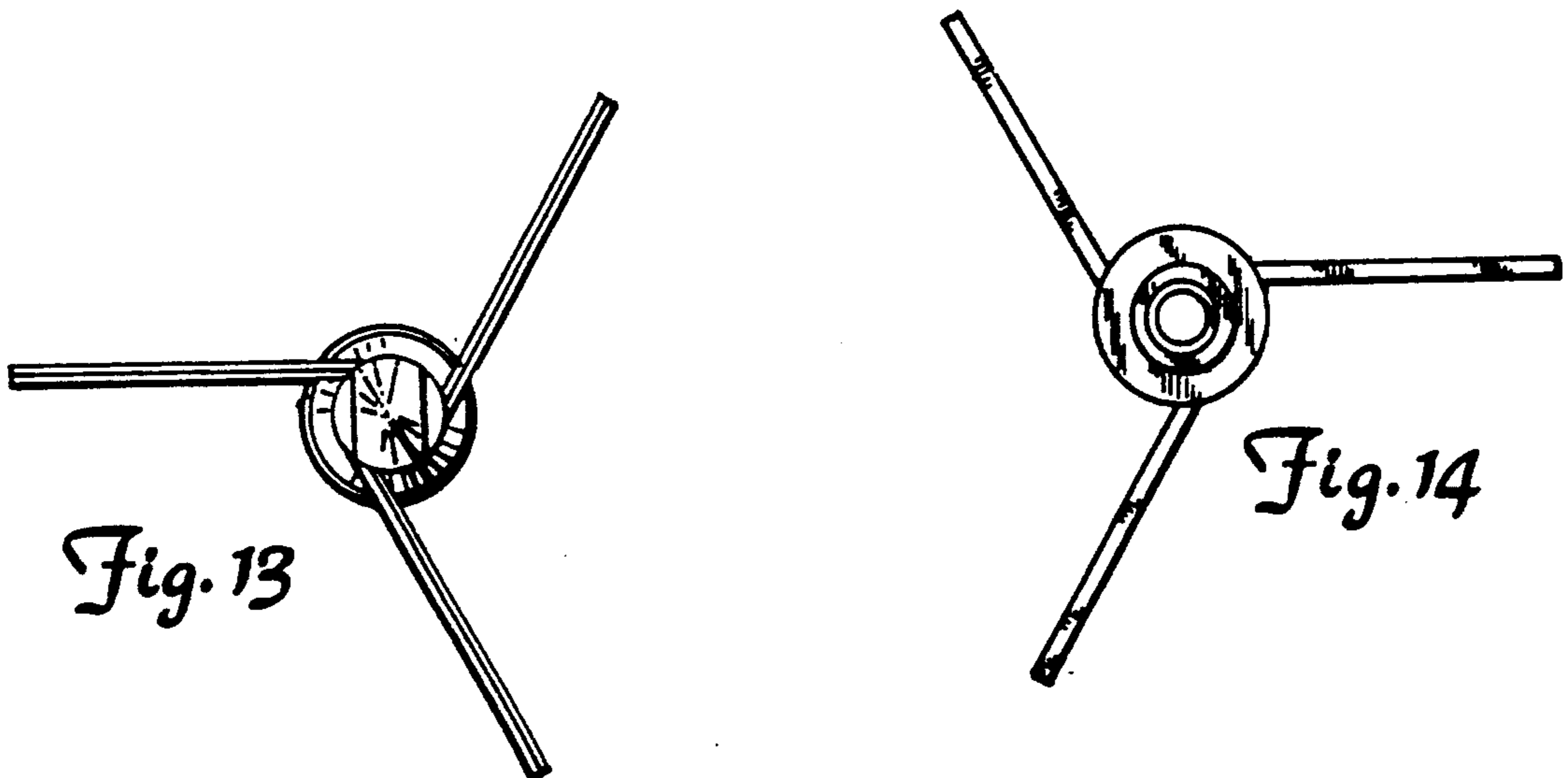


Fig. 13

Fig. 14