



US00D342299S

# United States Patent [19]

[11] Patent Number: **Des. 342,299**

Birrell et al.

[45] Date of Patent: **\*\* Dec. 14, 1993**

## [54] RECUMBENT EXERCISE CYCLE

[75] Inventors: **James S. Birrell, Seattle; David T. Littrell, Lynnwood; Timothy O. Armstrong, Bellevue, all of Wash.**

[73] Assignee: **Precor Incorporated, Bothell, Wash.**

[\*\*] Term: **14 Years**

[21] Appl. No.: **726,681**

[22] Filed: **Jul. 12, 1991**

[52] U.S. Cl. .... **D21/194**

[58] Field of Search ..... **D21/191, 194; 482/57, 482/58, 59**

## [56] References Cited

### U.S. PATENT DOCUMENTS

D. 218,107	7/1970	Feather et al. ....	D34/5
D. 283,151	3/1986	Knief .....	D21/194
D. 283,636	4/1986	Lepley .....	D21/194
D. 299,669	1/1989	Harter .....	D21/194
D. 300,046	2/1989	Armstrong et al. ....	D21/194
D. 305,677	1/1990	Beistegui .....	D21/194
D. 306,892	3/1990	Pitzen et al. ....	D21/194
D. 308,085	5/1990	Alberta .....	D21/194
4,538,804	9/1985	Zibell .....	272/73
4,589,656	5/1986	Baldwin .....	272/73
4,688,791	8/1987	Long .....	272/73

## FOREIGN PATENT DOCUMENTS

7830050 9/1989 Japan .

## OTHER PUBLICATIONS

Brochure entitled "3 Functions, One Machine." Triangle Manufacturing Corp., Morrisville, N.C. (1986).  
Brochure entitled "E504 Recumbent Cycle." Tunturi, Inc. of Bellevue, Washington (1989).  
Brochure entitled "Fitness Trainer ®" Magnetic Resistance Recumbent Cycle by Paramount Fitness Equipment Corp. of Los Angeles, California (1991).

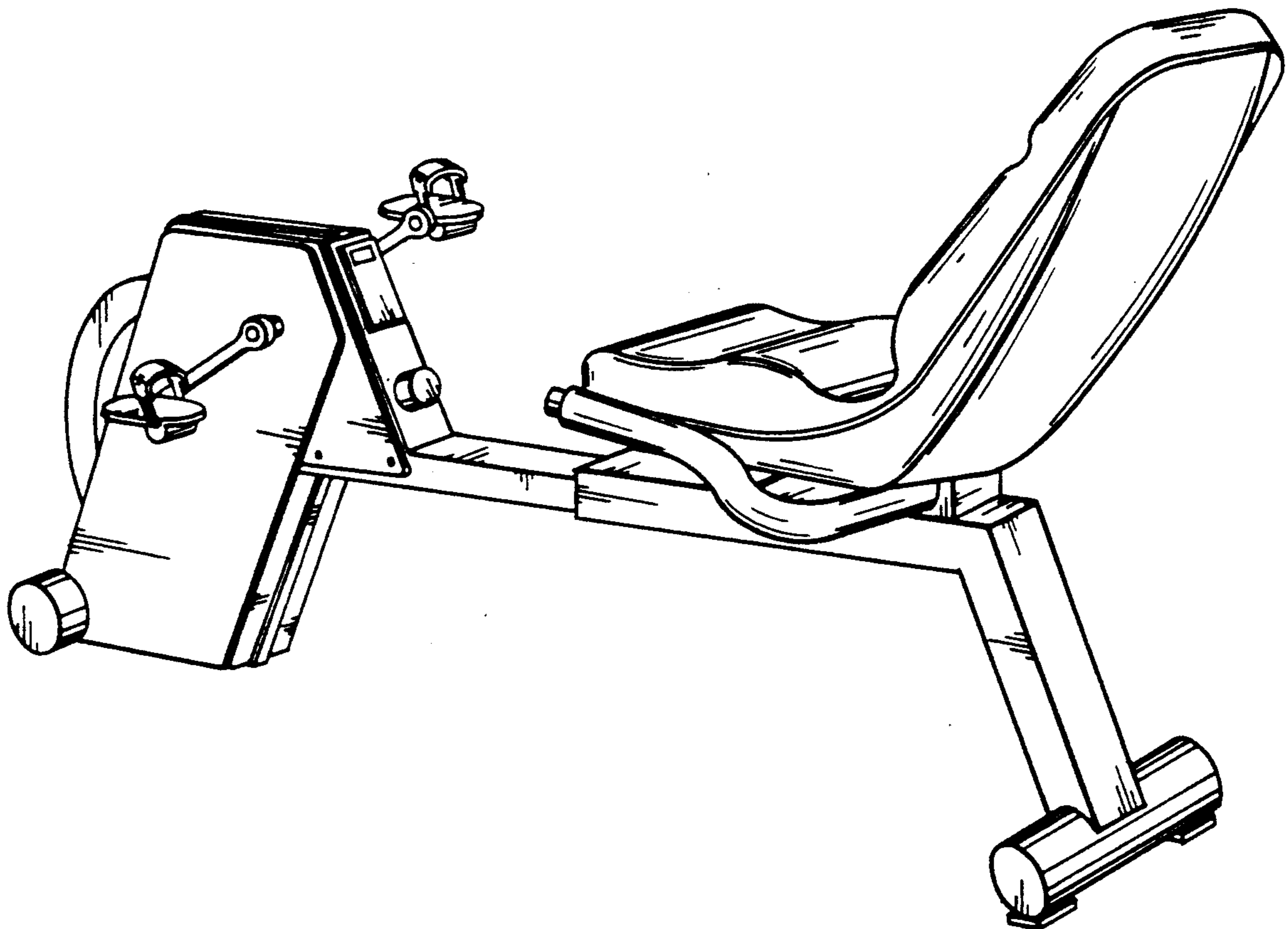
*Primary Examiner*—Bernard Ansher  
*Assistant Examiner*—Philip Hyder  
*Attorney, Agent, or Firm*—Christensen, O'Connor, Johnson & Kindness

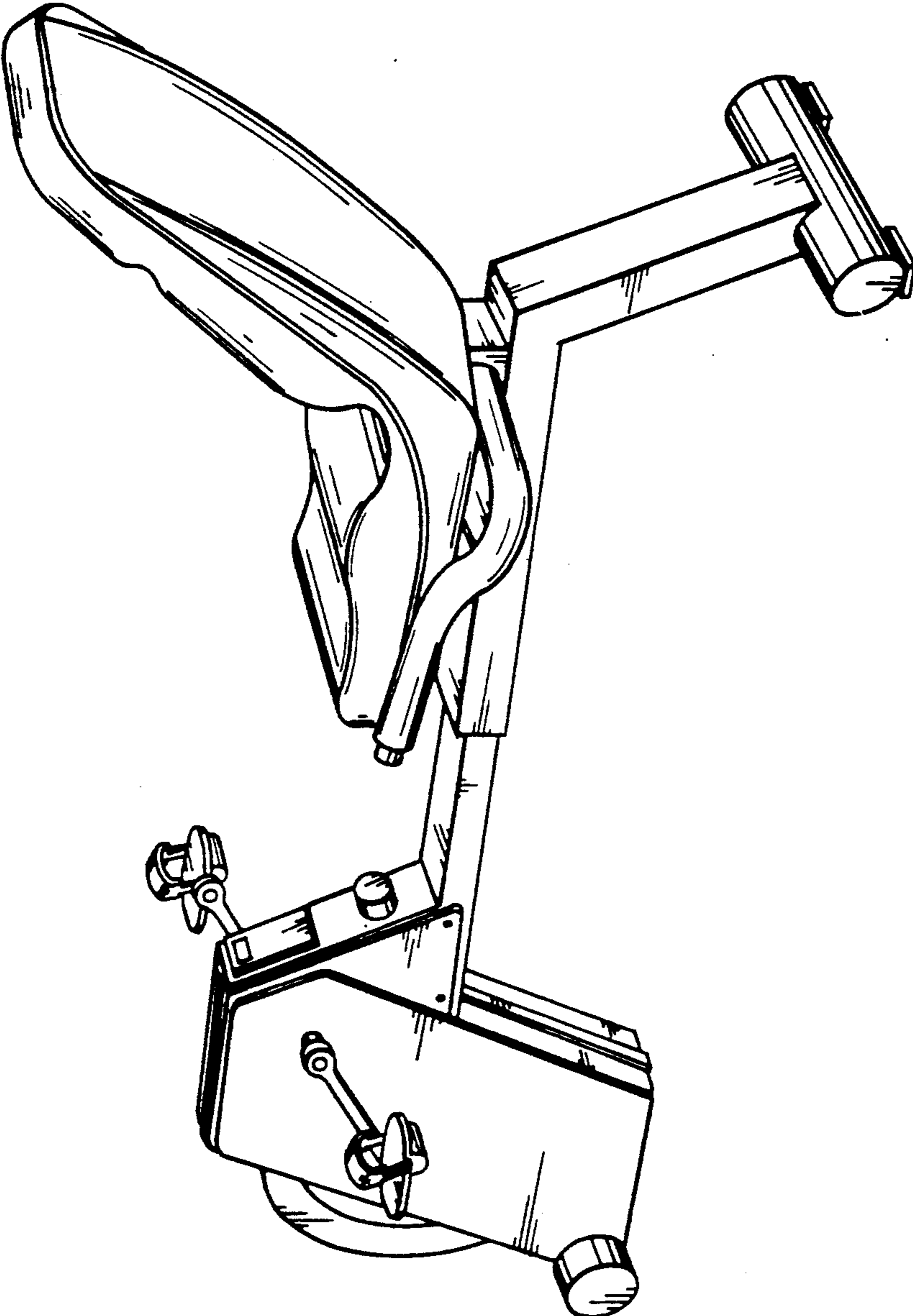
## [57] CLAIM

The ornamental design for a recumbent exercise cycle, as shown and described.

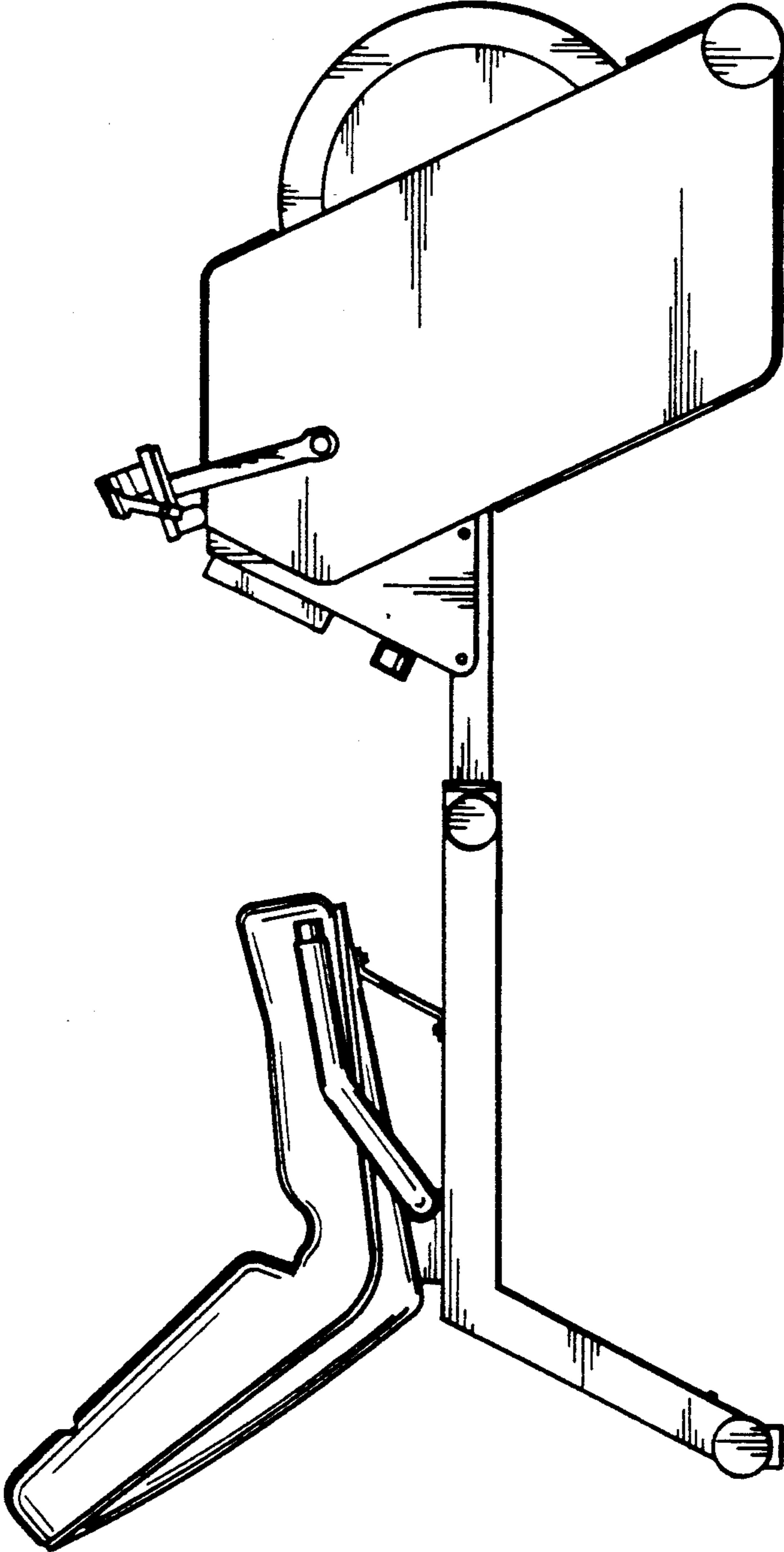
## DESCRIPTION

FIG. 1 is a perspective view of the recumbent exercise bicycle showing our new design;  
FIG. 2 is a side elevational view thereof, the opposite side being substantially a mere image thereof;  
FIG. 3 is a top view thereof;  
FIG. 4 is a bottom view thereof;  
FIG. 5 is a front elevational view thereof; and,  
FIG. 6 is a rear elevational view thereof.

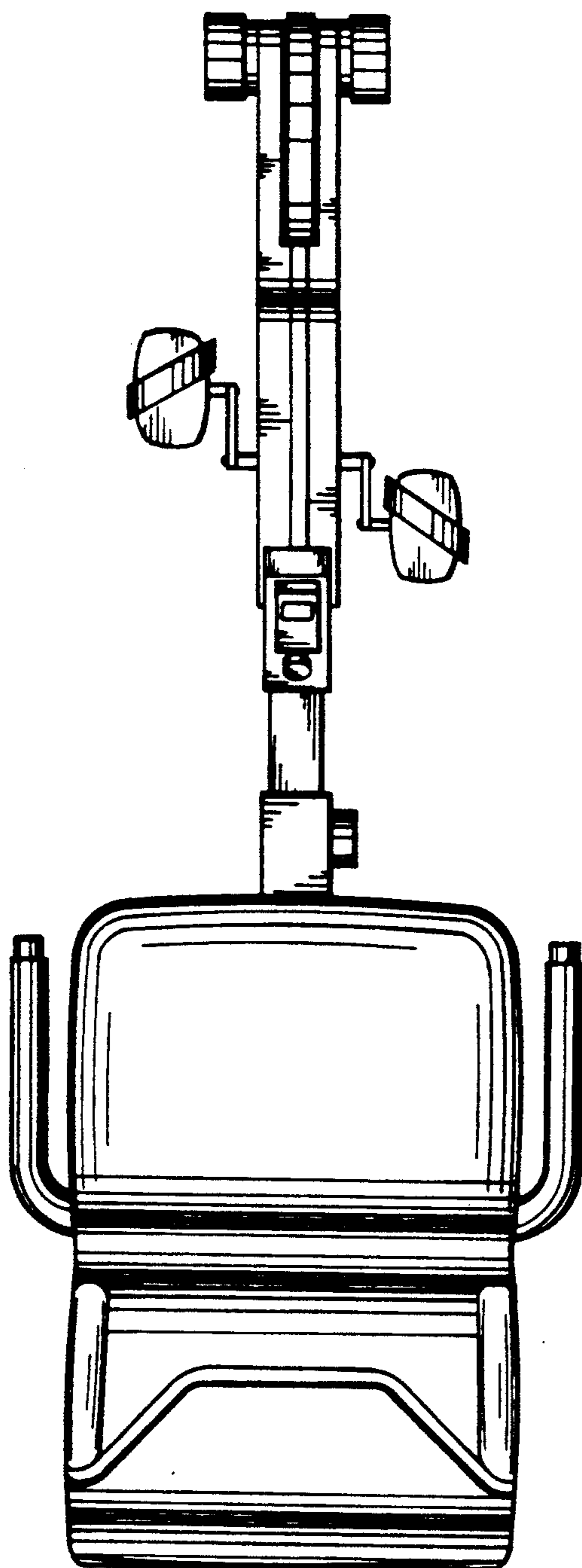




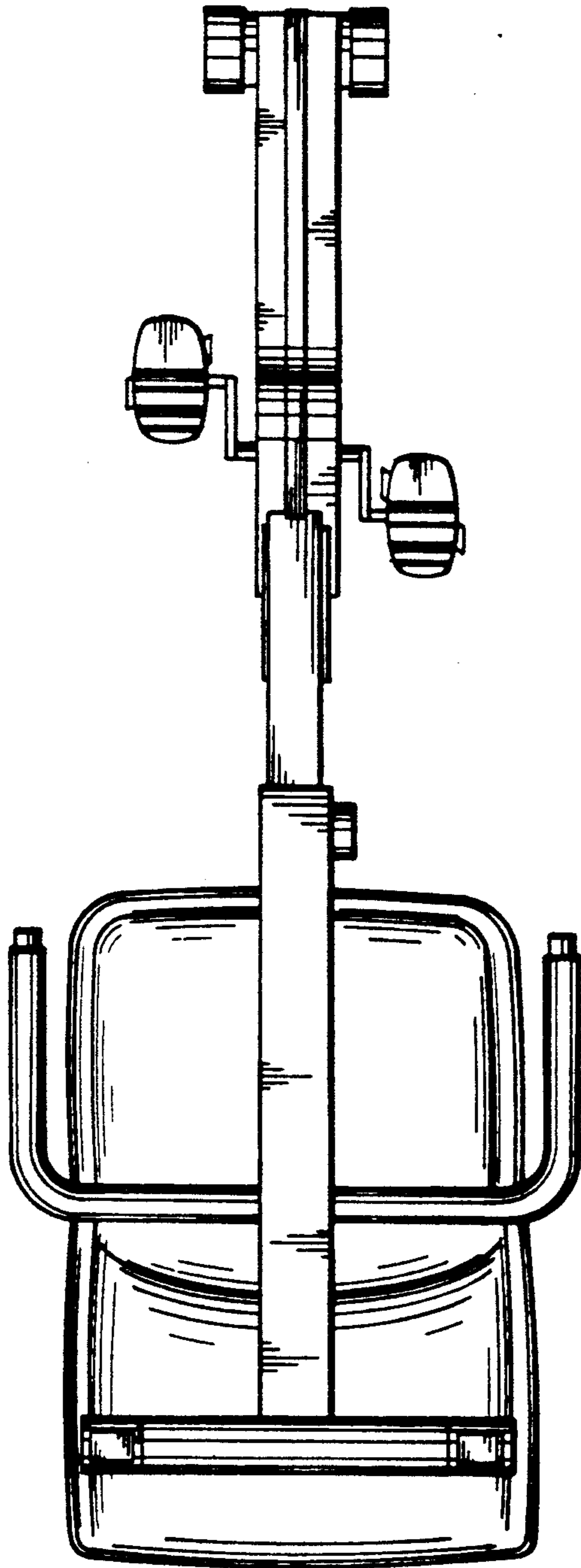
*Fig. 1.*



*Fig. 2.*

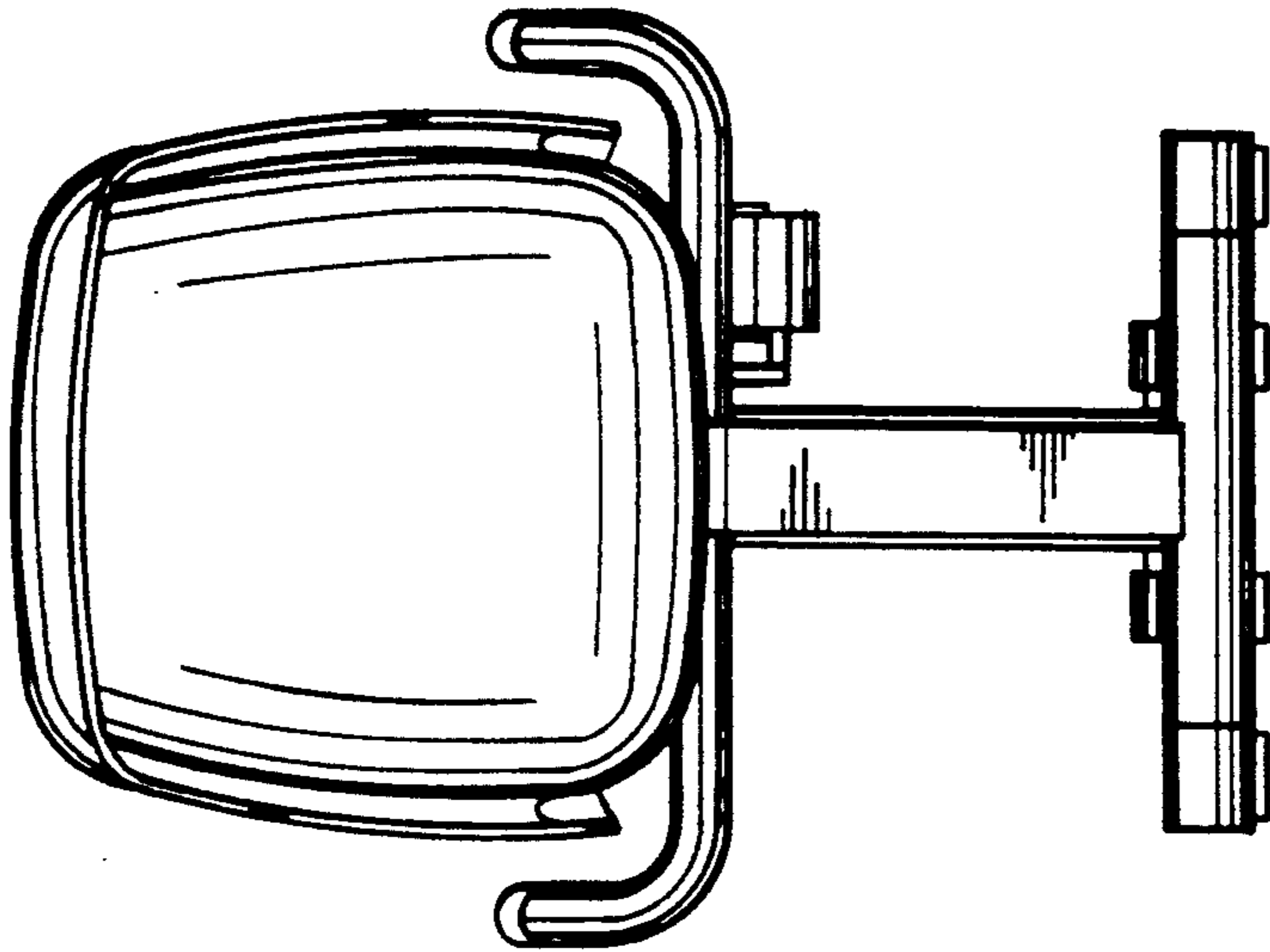


*Fig. 3.*

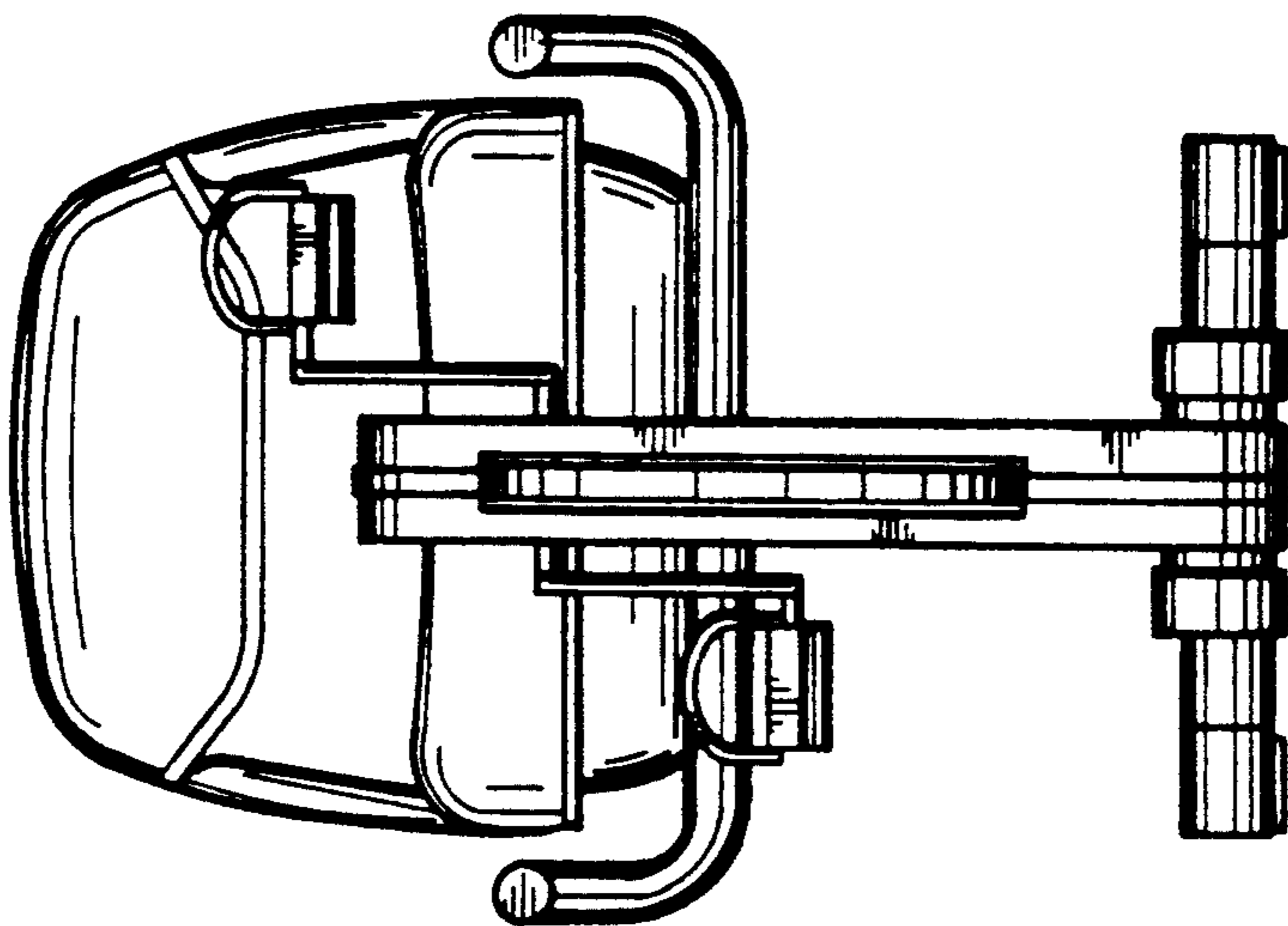


*Fig. 4.*





*Fig. 6.*



*Fig. 5.*