



US00D342297S

United States Patent [19]

[11] Patent Number: Des. 342,297

Kouno

[45] Date of Patent: ** Dec. 14, 1993

[54] RADIO REMOTE CONTROL UNIT

[75] Inventor: Tooru Kouno, Mobara, Japan

[73] Assignee: Futaba Denshi Kogyo K.K., Mobara, Japan

[**] Term: 14 Years

[21] Appl. No.: 814,904

[22] Filed: Dec. 31, 1991

[30] Foreign Application Priority Data

Jul. 26, 1991 [JP] Japan 3-022240

[52] U.S. Cl. D21/141.1

[58] Field of Search D21/141, 141.1; D14/155; 446/454, 455, 456; 273/86 B

[56] References Cited

U.S. PATENT DOCUMENTS

D. 313,439	1/1991	Kohno	D21/141.1
D. 331,083	11/1992	Gunderson	D21/141
4,617,002	1/1986	Ishimoto	446/456
4,882,942	11/1989	Hamilton	446/456

OTHER PUBLICATIONS

- R. C. Modeler Jan. 1990 p. 31.
- R. C. Modeler Jan. 1990 p. 252 #9VA, #5HLH.
- R. C. Modeler Jan. 1990 p. 10 top of page.
- Hong Kong Toys '88 p. 772 #021535.

Primary Examiner—Bernard Ansher
Assistant Examiner—R. Barkai
Attorney, Agent, or Firm—Oblon, Spivak, McClelland, Maier & Neustadt

[57] CLAIM

The ornamental design for a radio remote control unit, as shown.

DESCRIPTION

FIG. 1 is a perspective view of a radio remote control unit embodying my new design;
 FIG. 2 is a front elevational view thereof;
 FIG. 3 is a rear elevational view thereof;
 FIG. 4 is a top plan view thereof;
 FIG. 5 is a bottom view thereof;
 FIG. 6 is a right side elevational view thereof;
 FIG. 7 is a left side elevational view thereof; and,
 FIG. 8 is a perspective view thereof, with the antenna in an extended position.

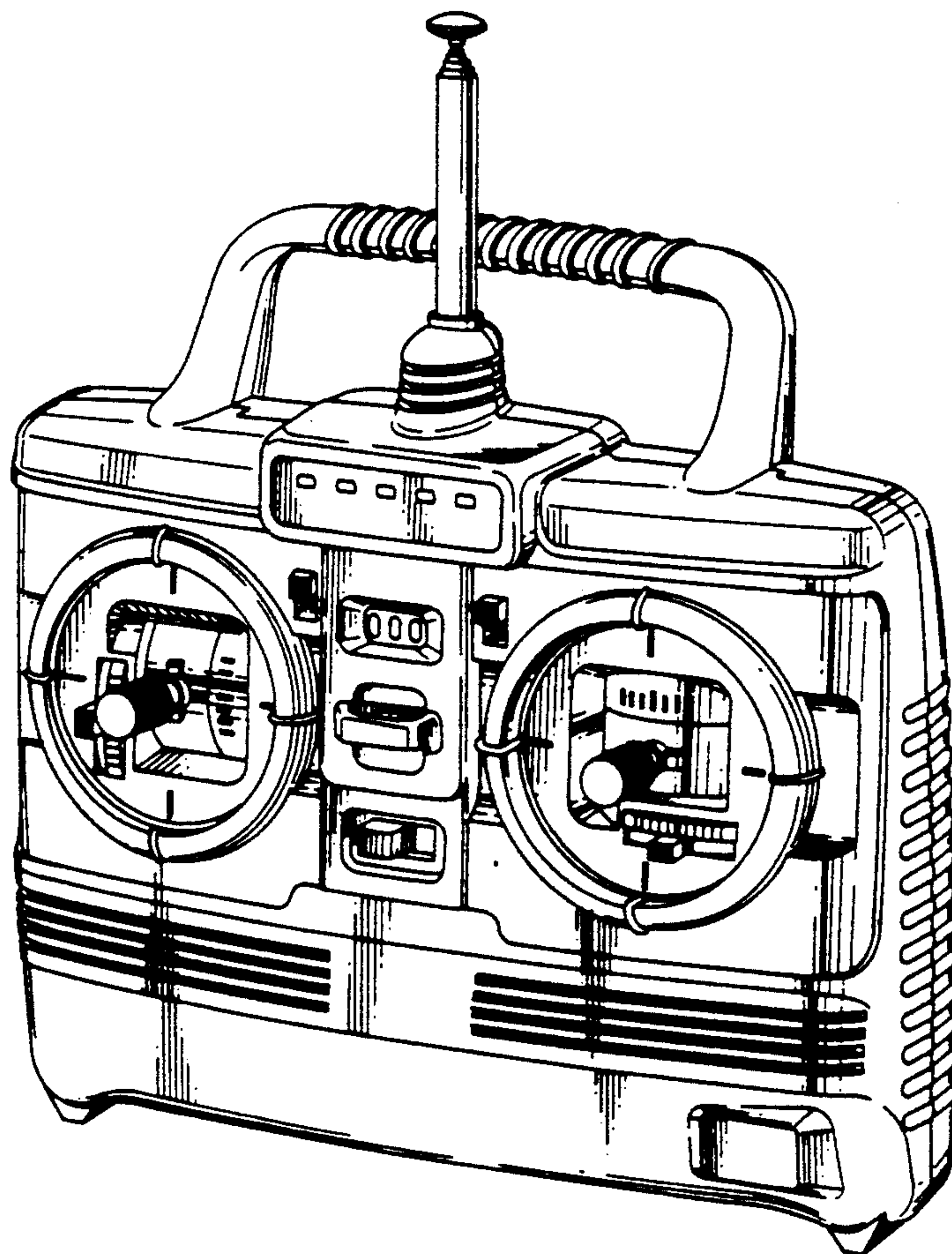


FIG. 1

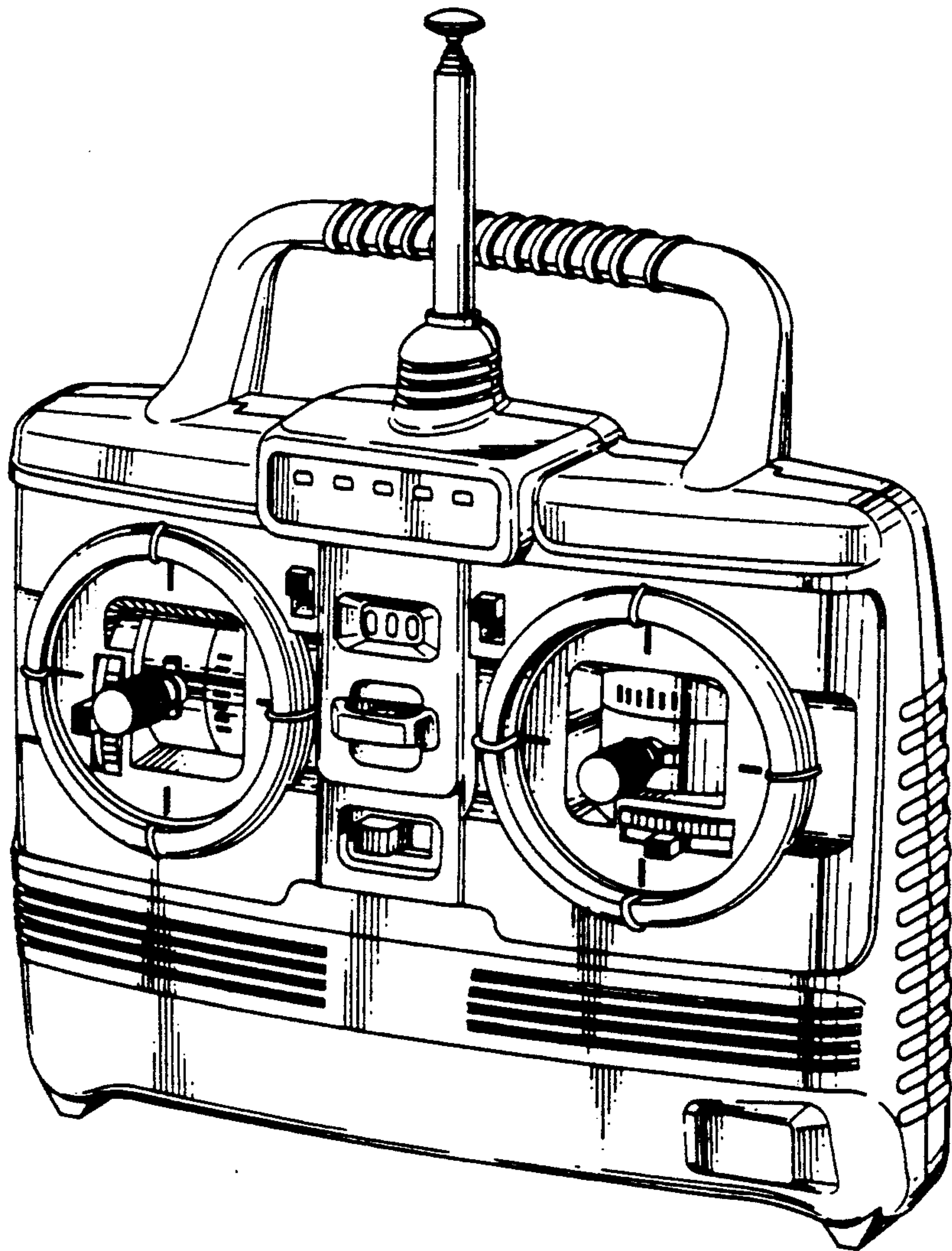


FIG. 2

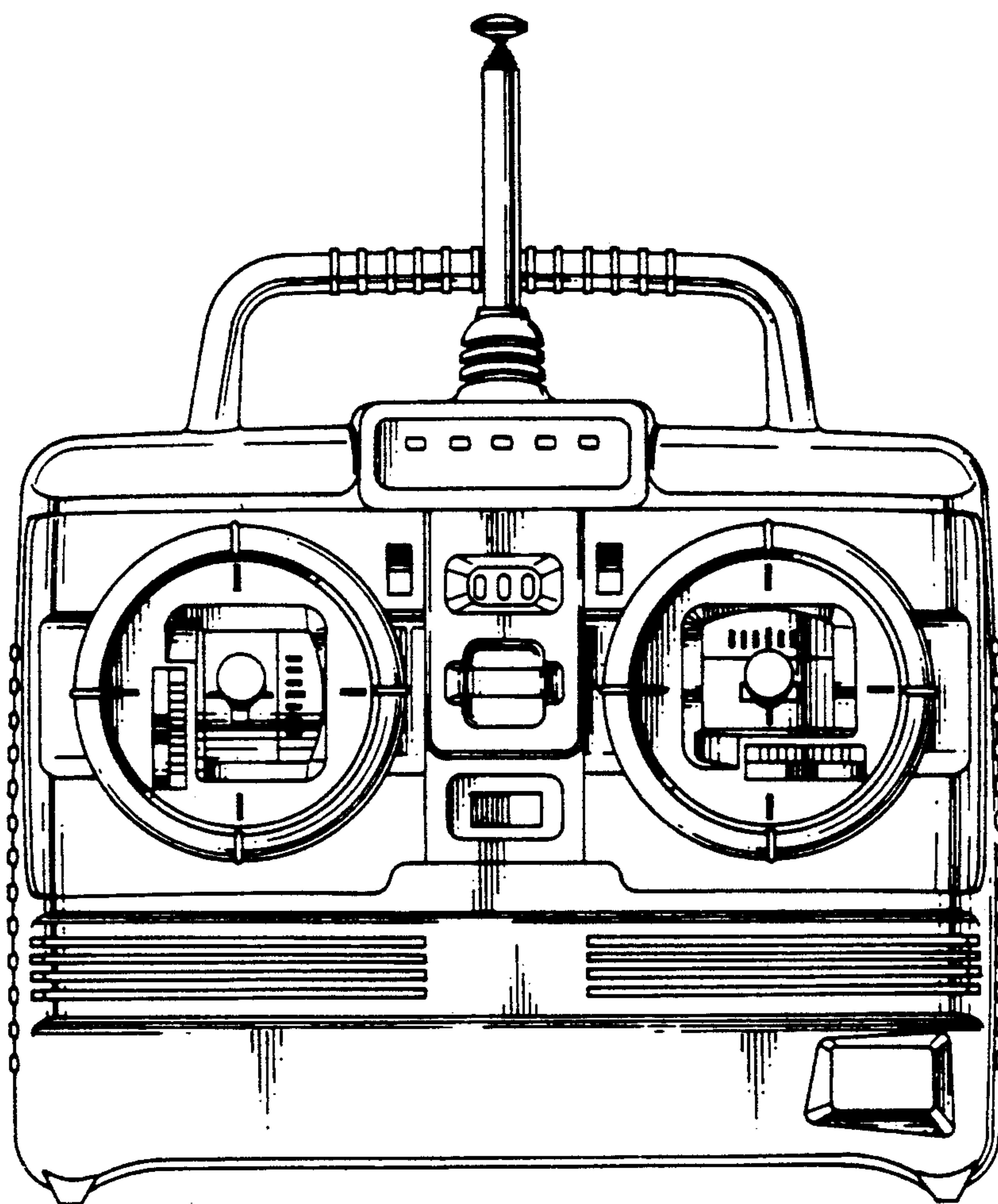


FIG. 3

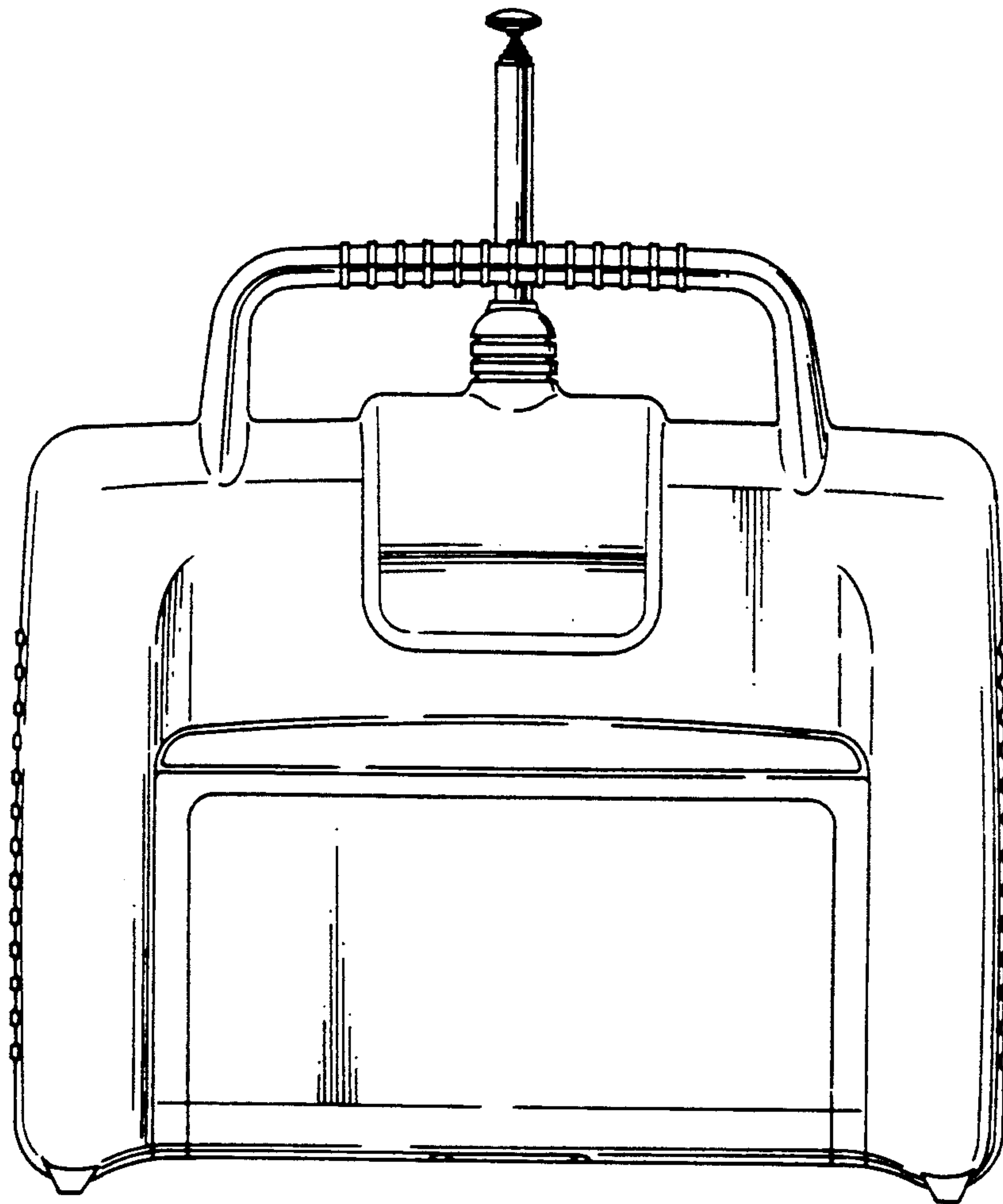


FIG. 4

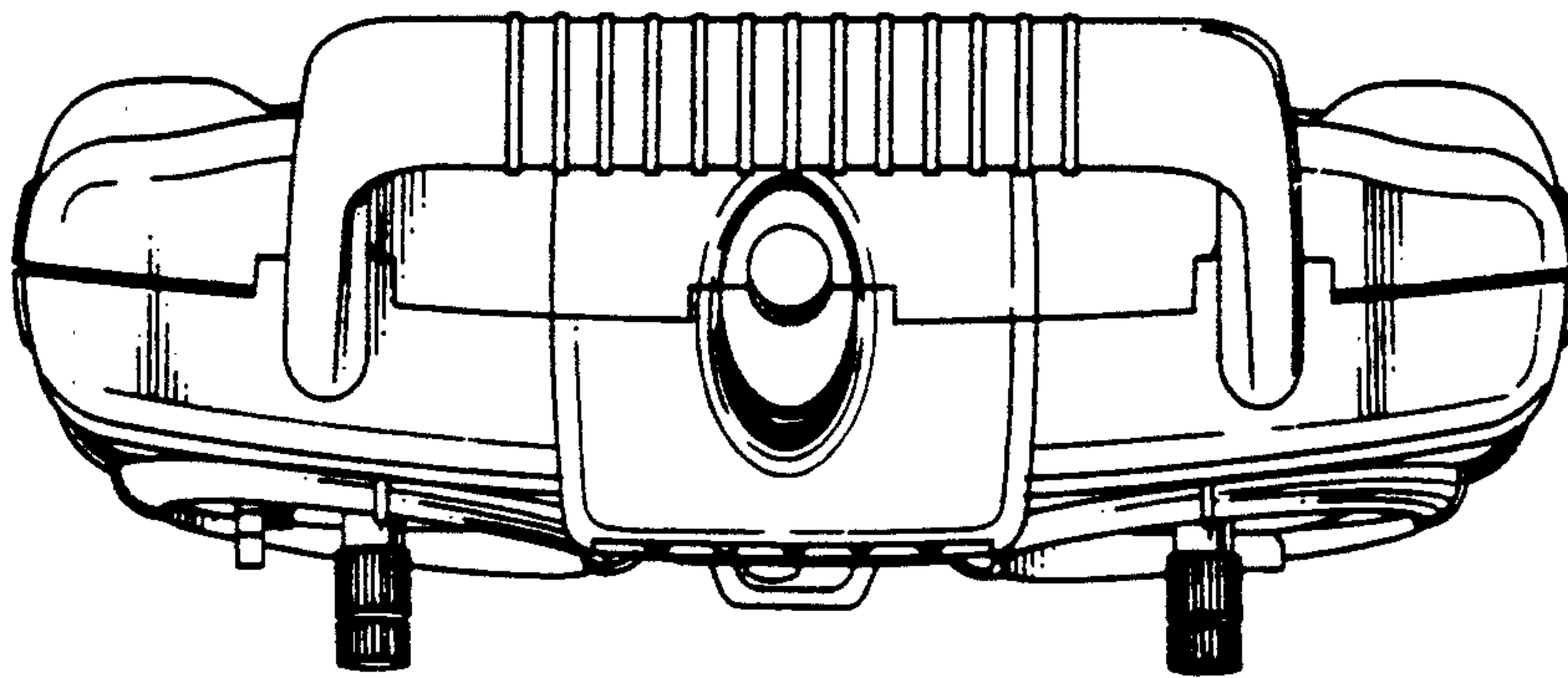


FIG. 5

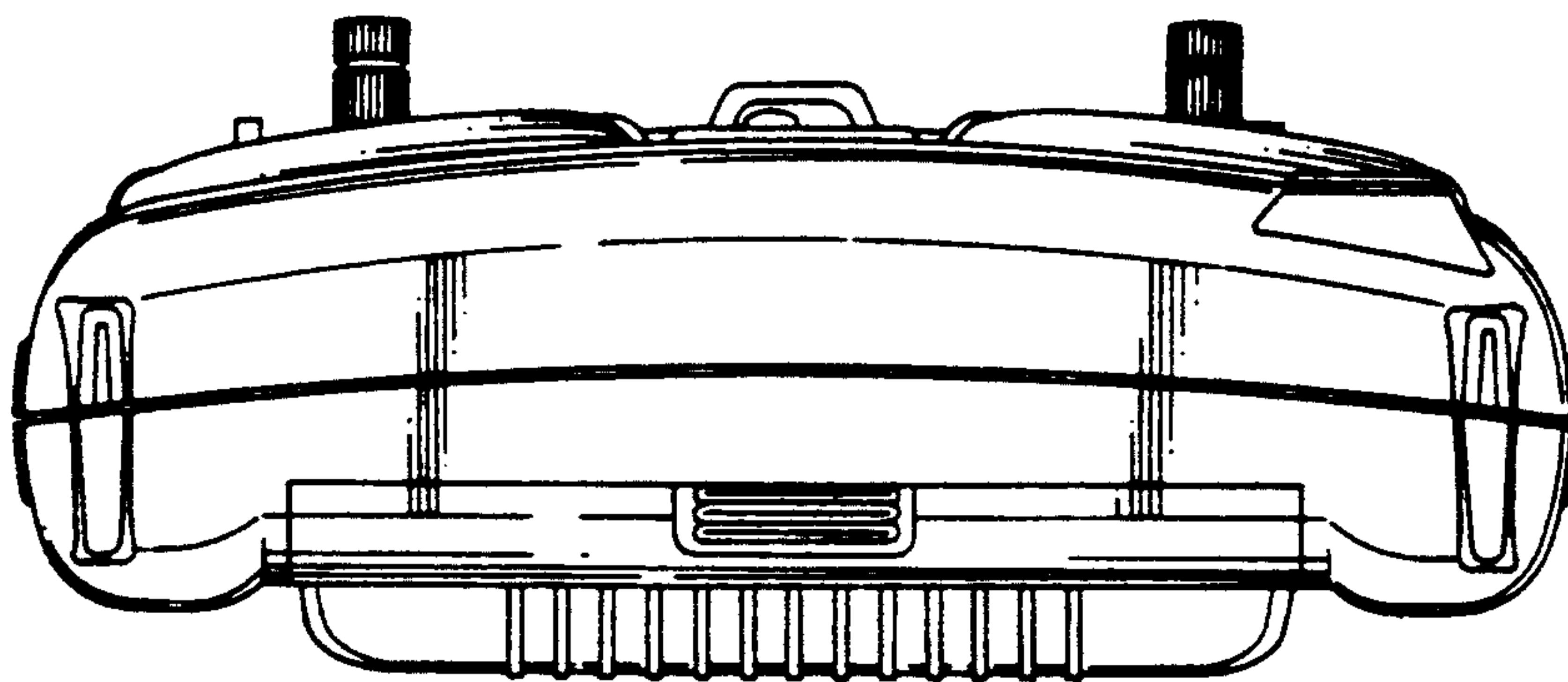


FIG. 7

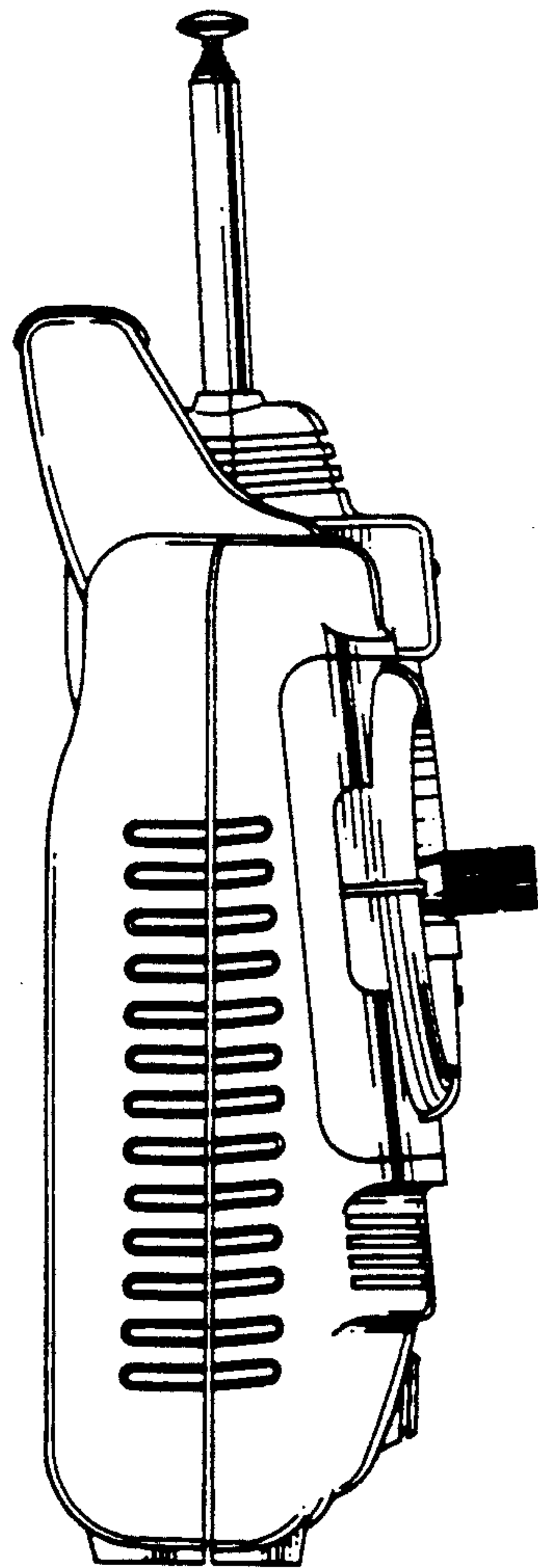


FIG. 6

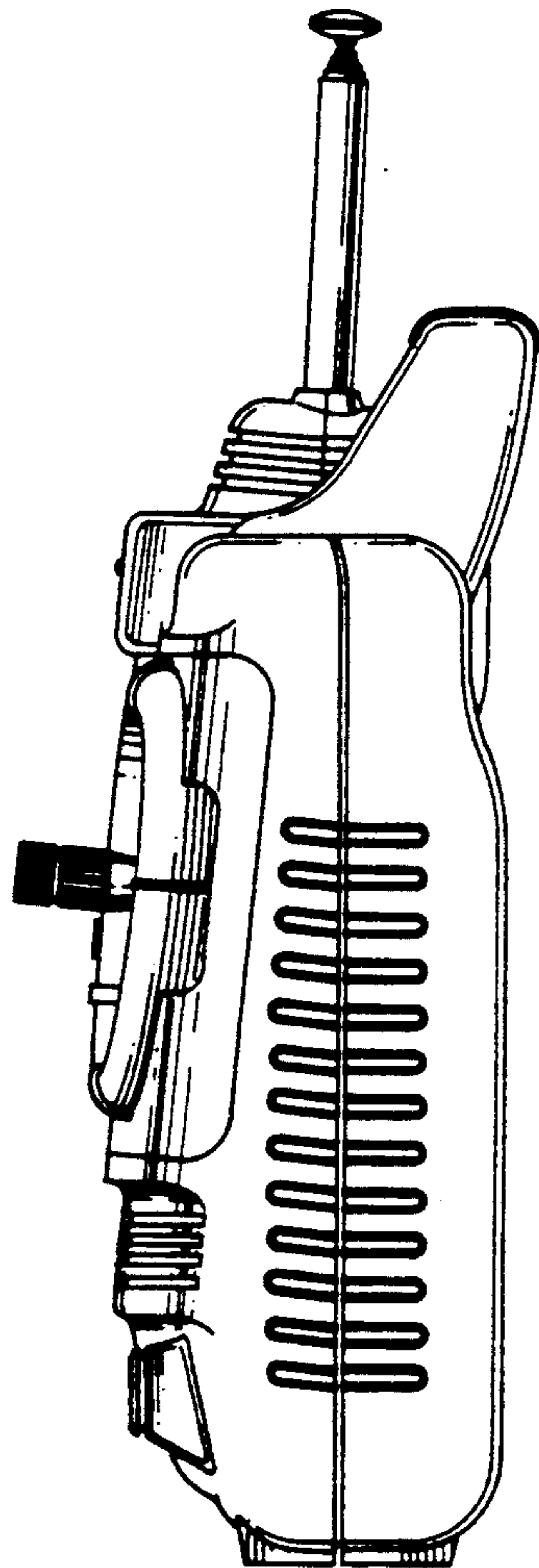


FIG. 8

