



US00D342295S

United States Patent [19]

[11] Patent Number: **Des. 342,295**

Houry et al.

[45] Date of Patent: **** Dec. 14, 1993**

[54] **TOY BEAUTY SALON**

[75] Inventors: **Robert L. Houry, Solon; John R. Nottingham; John W. Spirk, Jr.,** both of Moreland Hills, all of Ohio

[73] Assignee: **The Little Tikes Company, Hudson, Ohio**

[**] Term: **14 Years**

[21] Appl. No.: **825,164**

[22] Filed: **Jan. 24, 1992**

[52] U.S. Cl. **D21/121**

[58] Field of Search **D21/121-123; D6/333, 339, 360, 364-365, 367, 390; D7/339-340, 346, 348, 350-351; 446/144, 268, 296, 472, 474, 479, 481, 482; 5/93.1, 97**

[56] **References Cited**

U.S. PATENT DOCUMENTS

D. 132,243	4/1942	Pressman	D21/121
D. 152,185	12/1948	Barr	D21/121
D. 237,728	11/1975	Takahashi	D21/123
D. 277,020	1/1985	Mariol	D21/122
D. 321,219	10/1991	Monneret	D21/121
4,515,359	5/1985	Mariol	272/1 R

OTHER PUBLICATIONS

P. 17, Vanity Chair, Flexible Flyer Company, 100 Tubb

Avenue, West Point, Mississippi 39773. Publication date 1991.

P. 82, Chair, The Little Tikes Company, 2180 Barlow Road, Hudson, Ohio 44236. Publication date 1989.

P. 17, Vanity, Flexible Flyer Company, 100 Tubb Avenue, West Point, Mississippi 39773. Publication date 1991.

P. 75, Vanity, Fisher-Price, 636 Girard Avenue, East Aurora, New York 14052-1885. Publication date 1990.

P. 44, Vanity, Playmates, 16200 South Trojan Way, La Mirada, California 90638. Publication date 1990.

P. 71, Workshop, The Little Tikes Company, 2180 Barlow Road, Hudson, Ohio 44236. Publication date 1991.

Primary Examiner—Bernard Ansher

Assistant Examiner—R. Barkai

Attorney, Agent, or Firm—Richard B. O'Planick; Lisa B. Riedesel

[57] **CLAIM**

The ornamental design for a toy beauty salon, as shown and described.

DESCRIPTION

FIG. 1 is a top left front perspective view of a toy beauty salon showing our new design;

FIG. 2 is a front elevational view thereof;

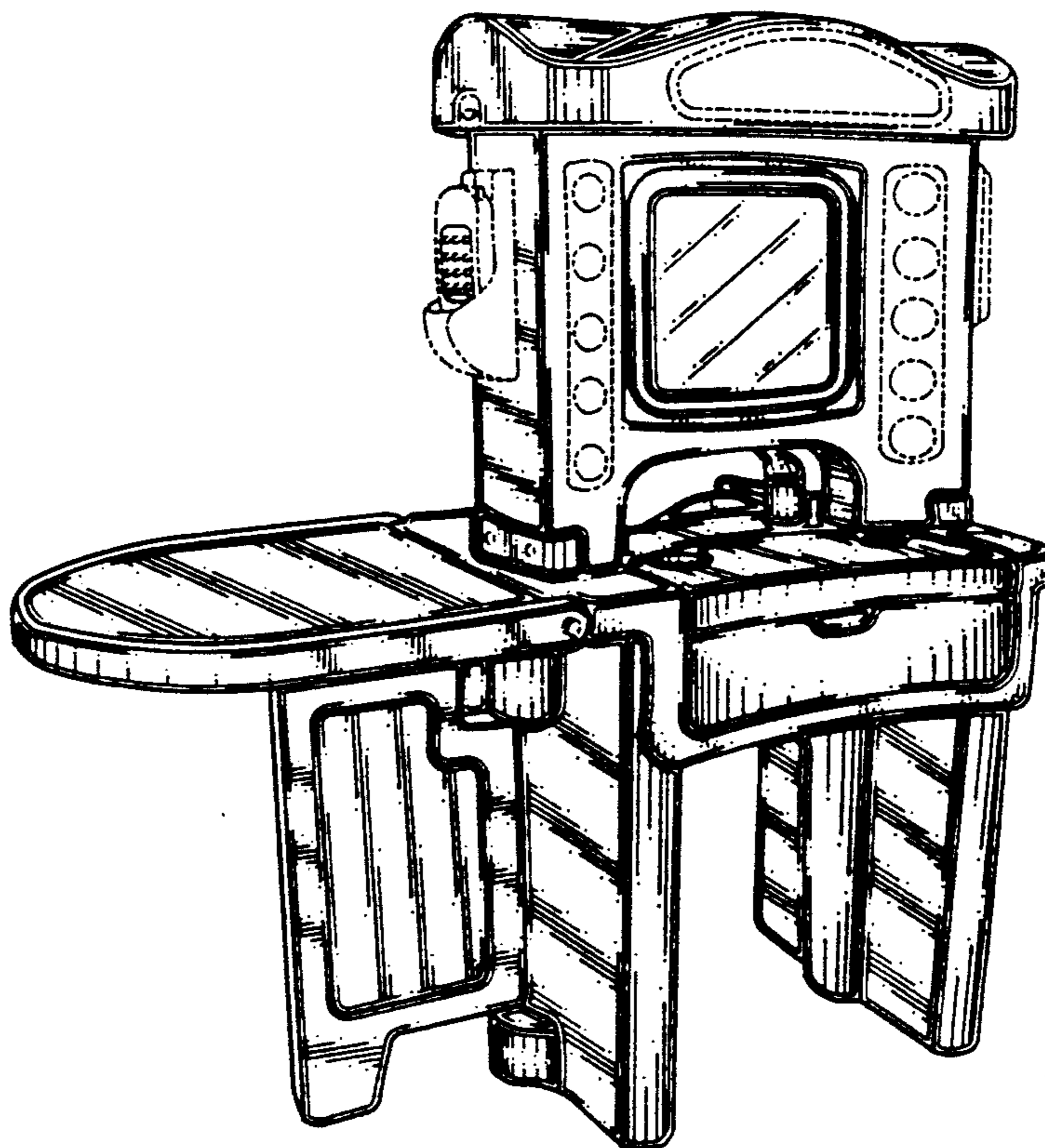
FIG. 3 is a rear elevational view thereof;

FIG. 4 is a right side elevational view thereof;

FIG. 5 is a left side elevational view thereof;

FIG. 6 is a top plan view thereof; and,

FIG. 7 is a bottom plan view thereof.



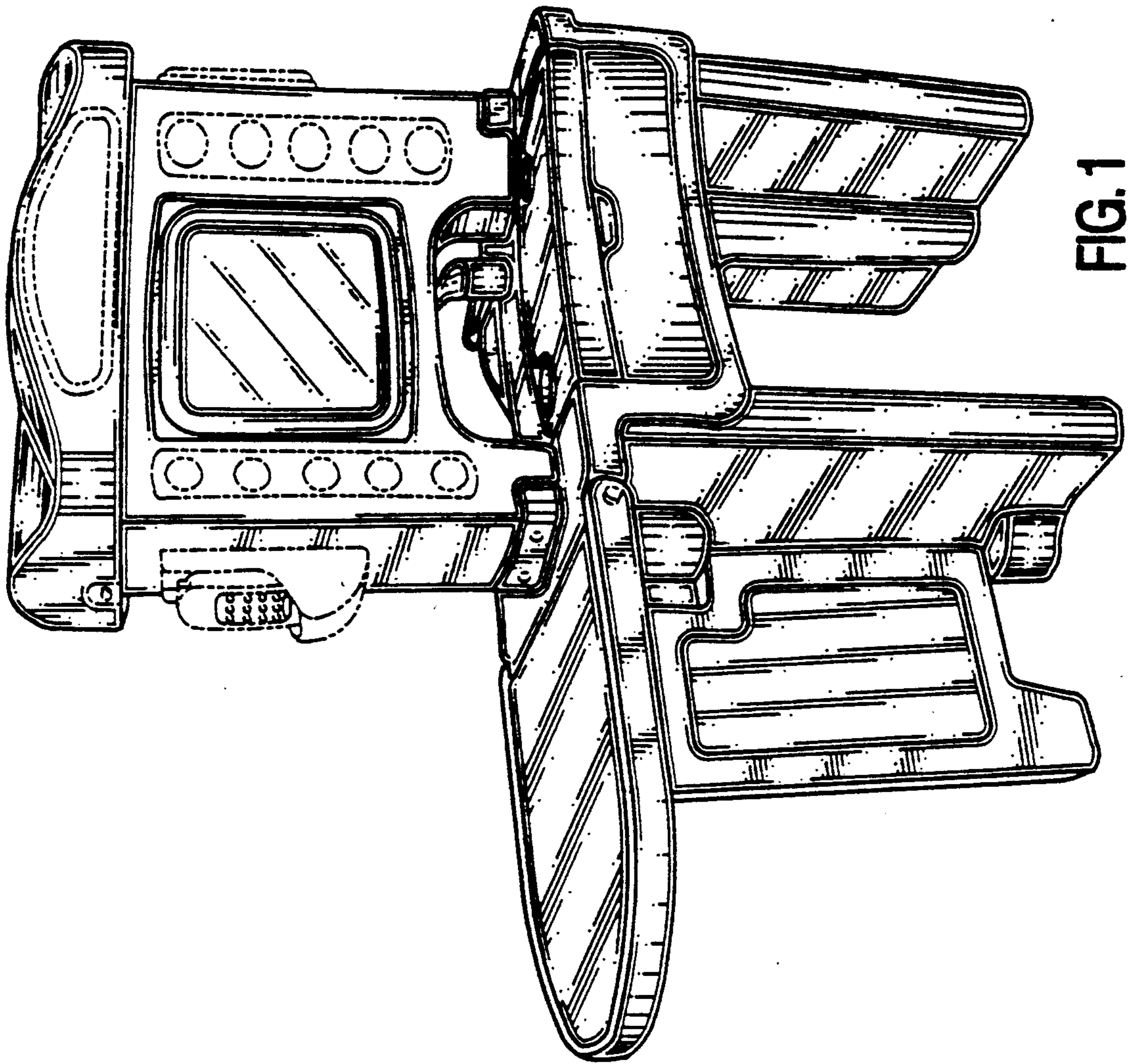


FIG. 1

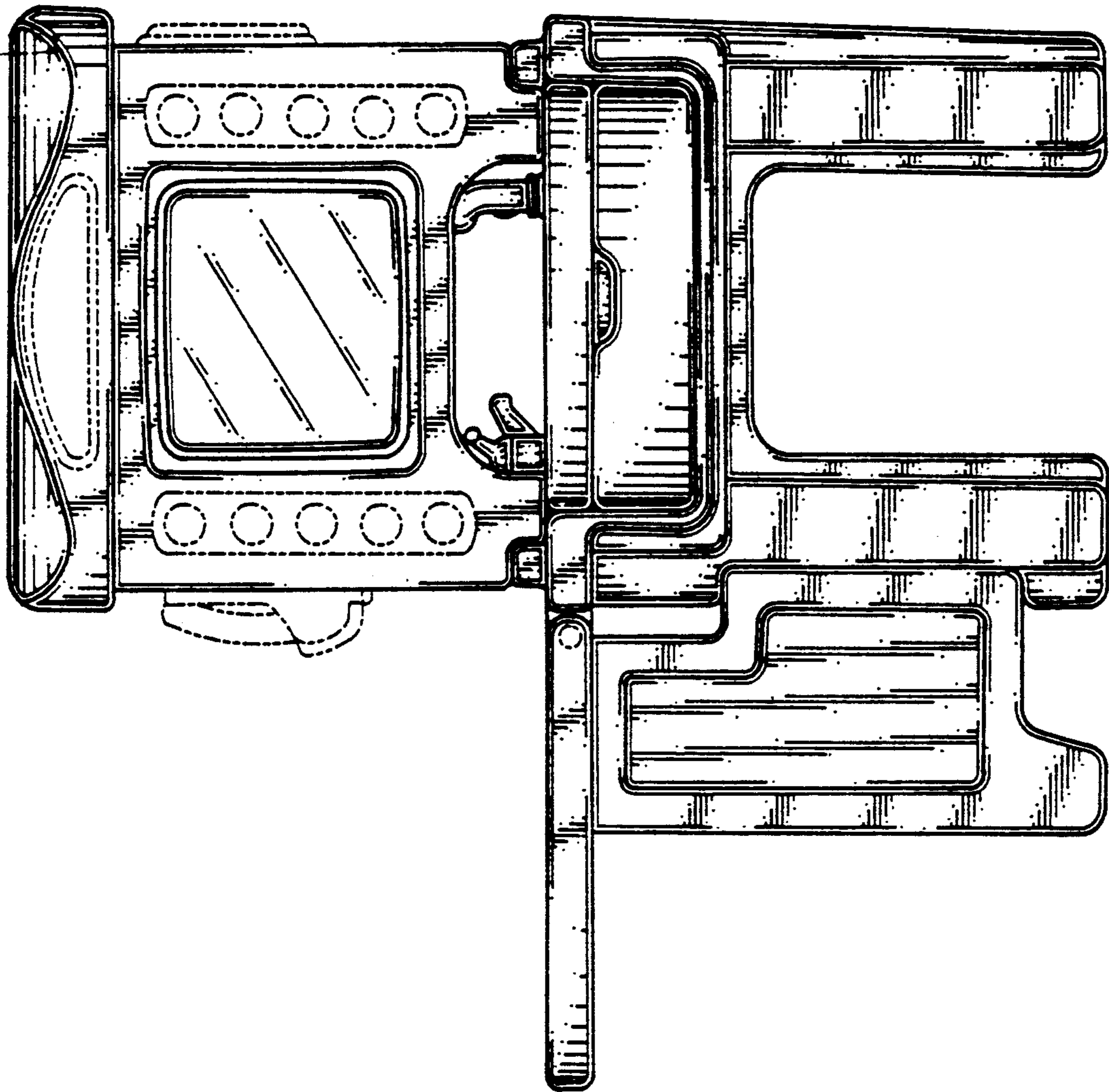


FIG. 2

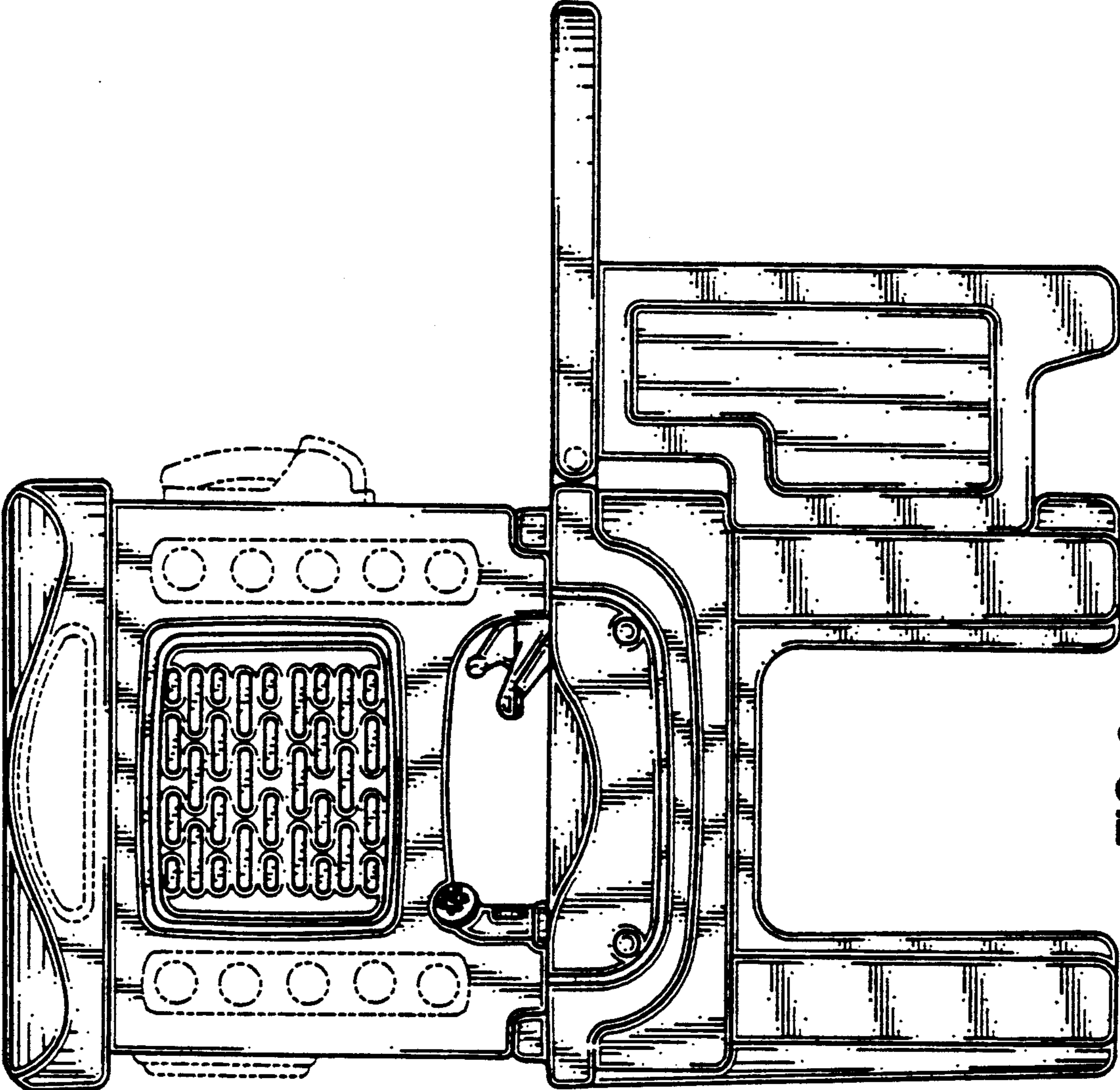


FIG. 3

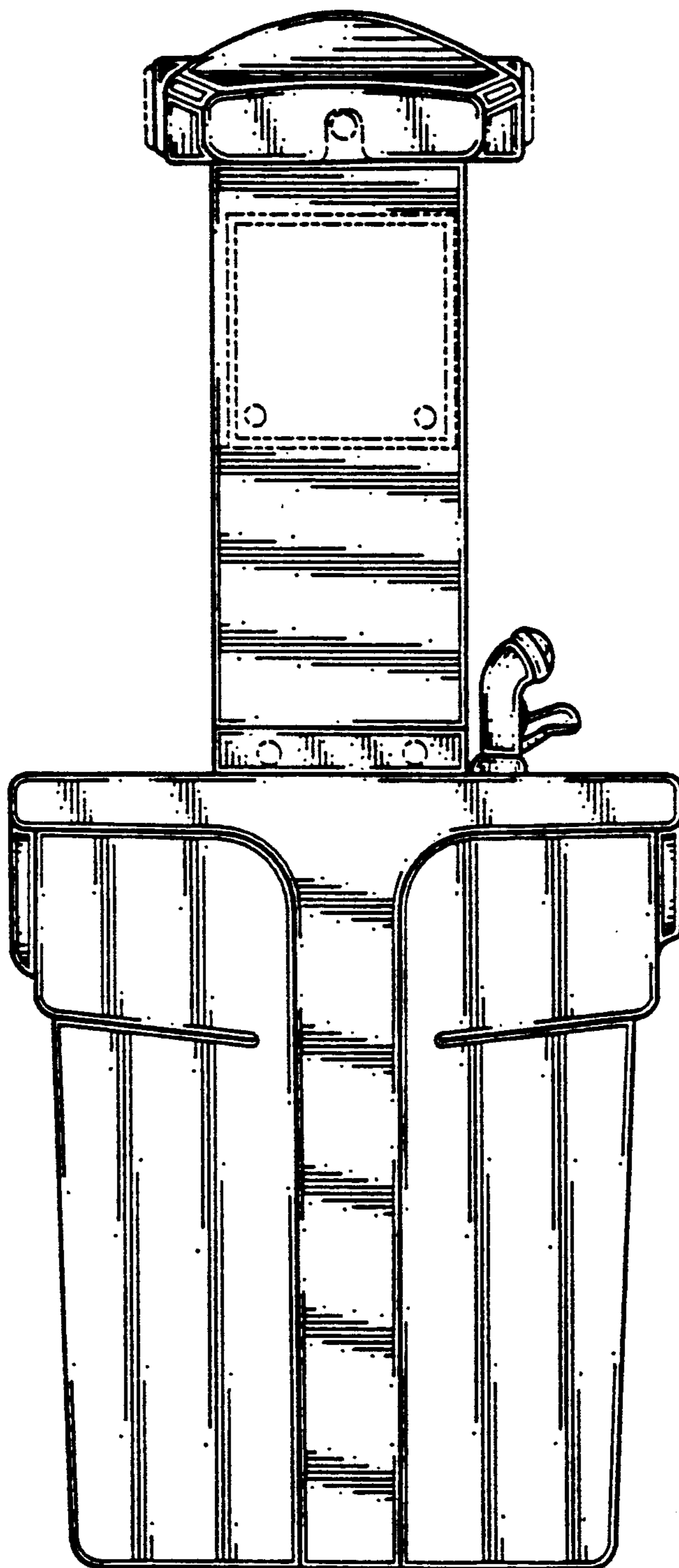


FIG. 4

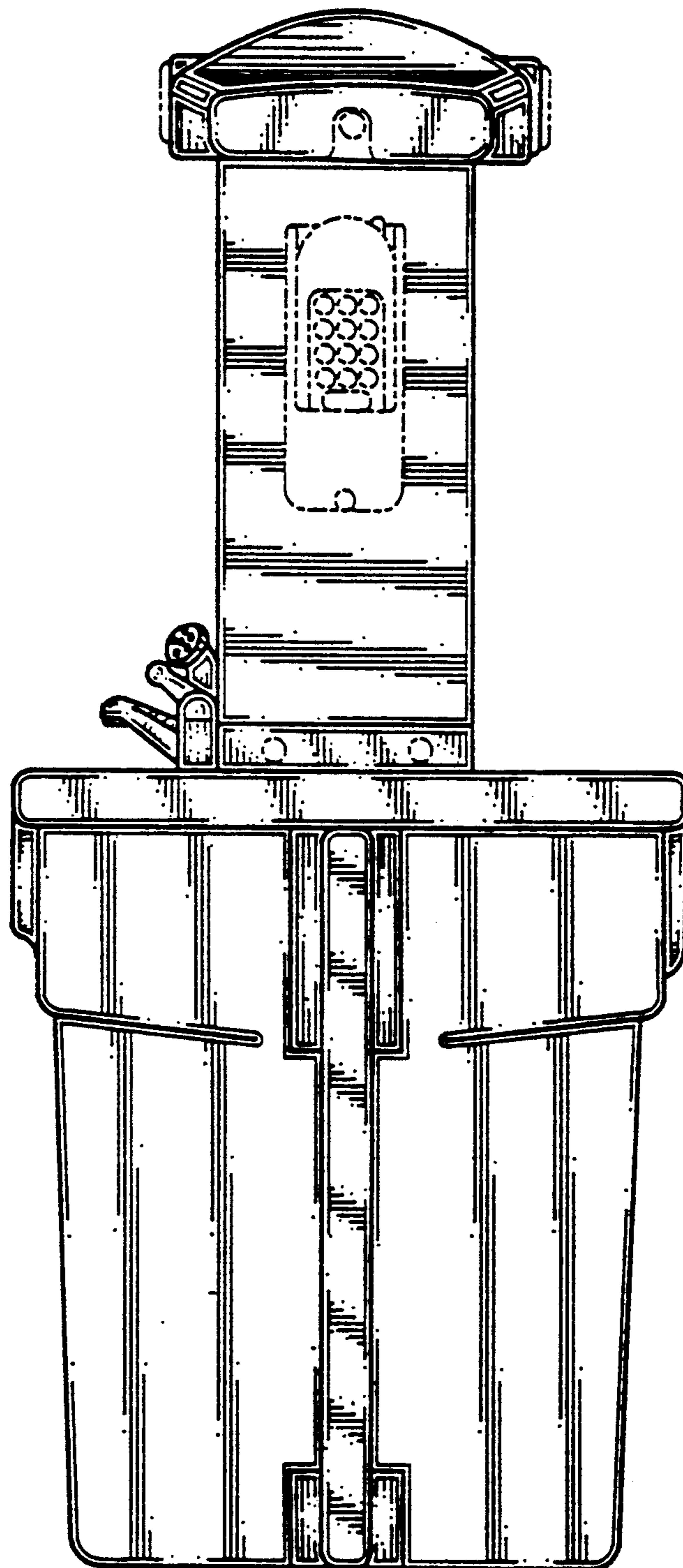


FIG. 5

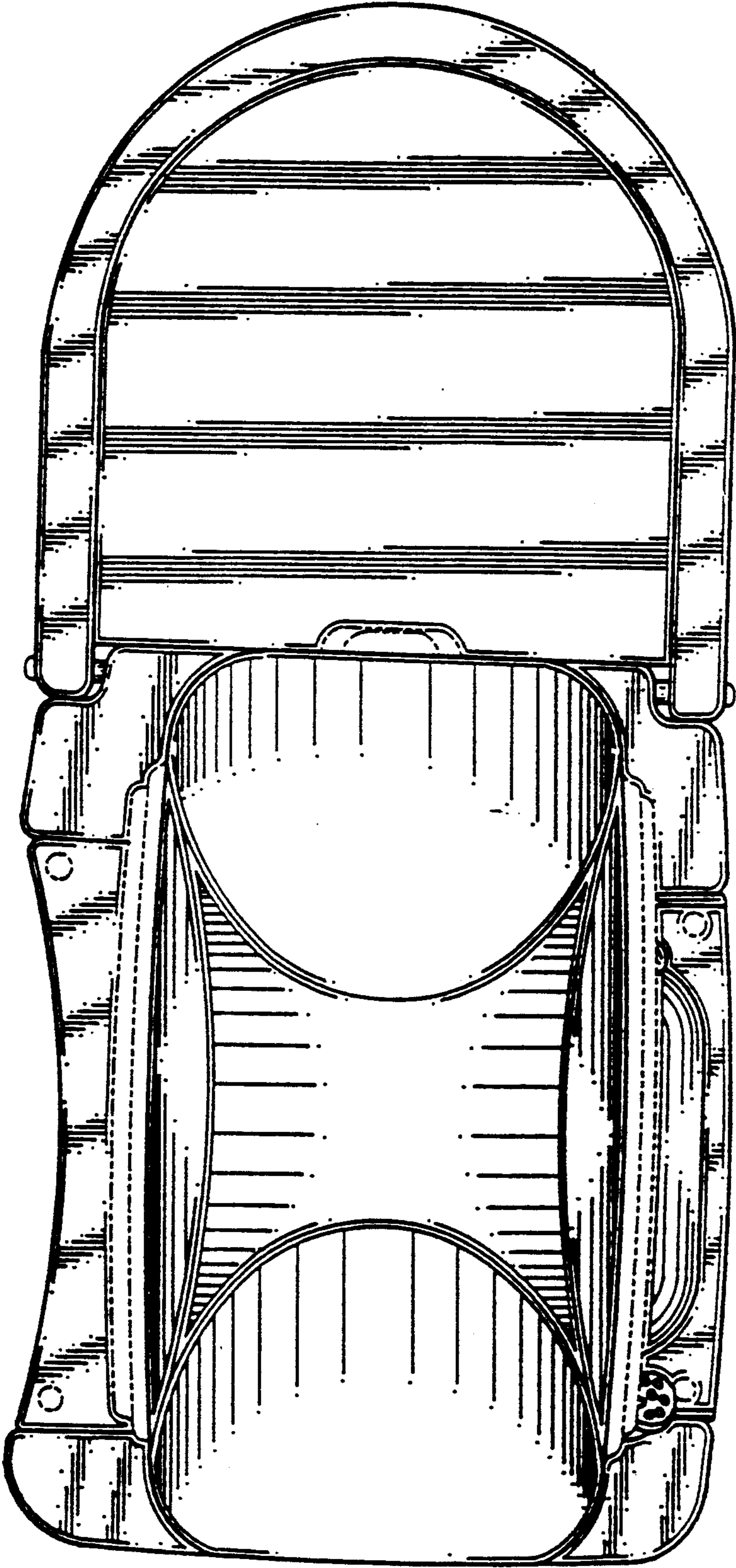


FIG. 6

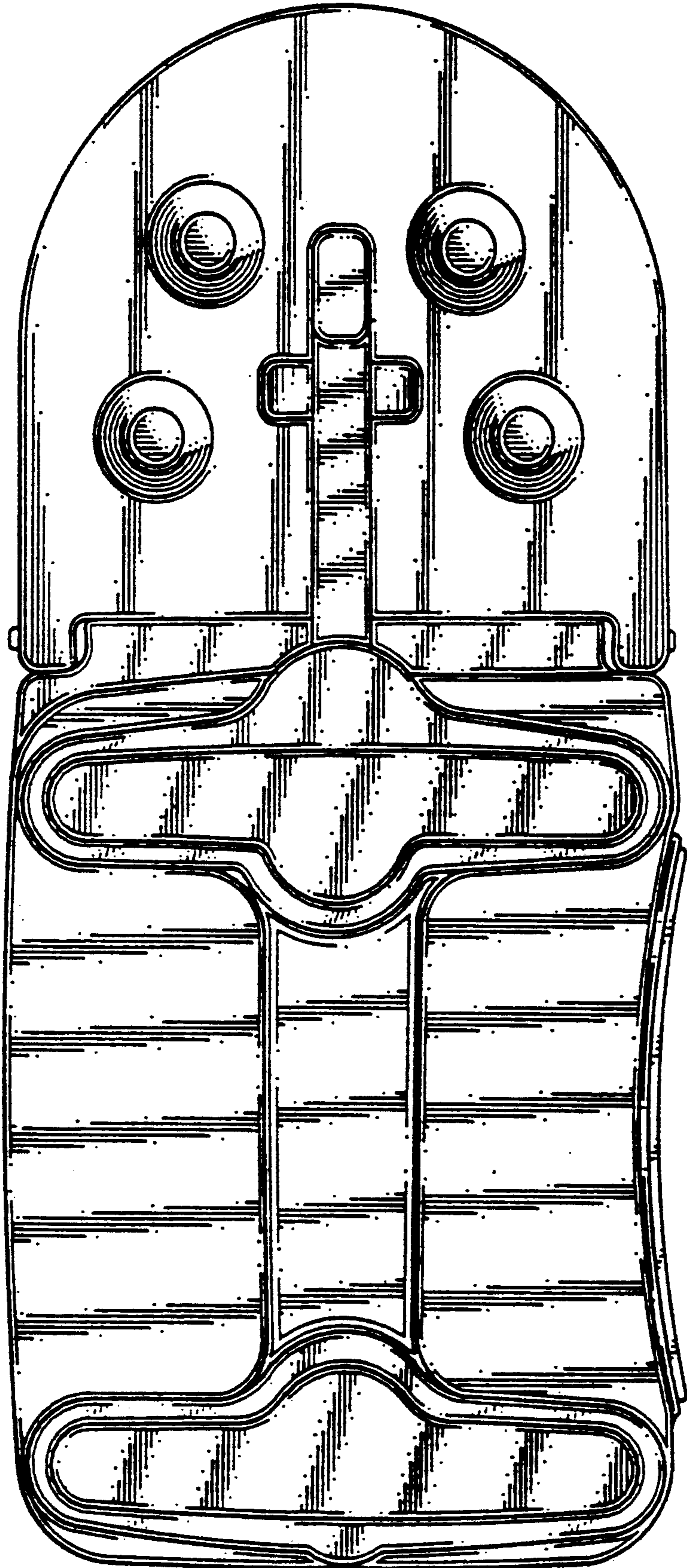


FIG. 7