



US00D342291S

# United States Patent [19]

[11] Patent Number: **Des. 342,291**

**Bertrand**

[45] Date of Patent: **\*\* Dec. 14, 1993**

[54] TOY BLOCK

[56] References Cited

[75] Inventor: **Victor J. Bertrand, Ile Bizard, Canada**

### U.S. PATENT DOCUMENTS

D. 311,936	11/1990	Andersen	.....	D21/108
243,567	6/1881	Ireland	.....	446/105
1,109,348	9/1914	McNerney	.....	446/105
4,371,166	2/1983	Ferris	.....	446/114

[73] Assignee: **The Ritvik Group Inc., Dorval, Canada**

*Primary Examiner*—Bernard Ansher  
*Assistant Examiner*—R. Barkai  
*Attorney, Agent, or Firm*—ROBIC

[\*\*] Term: **14 Years**

[57] CLAIM

[21] Appl. No.: **943,600**

The ornamental design for a toy block, as shown and described.

[22] Filed: **Sep. 11, 1992**

### DESCRIPTION

[30] Foreign Application Priority Data

FIG. 1 is a perspective view of a toy block showing my new design;

FIG. 2 is a top plan view thereof;

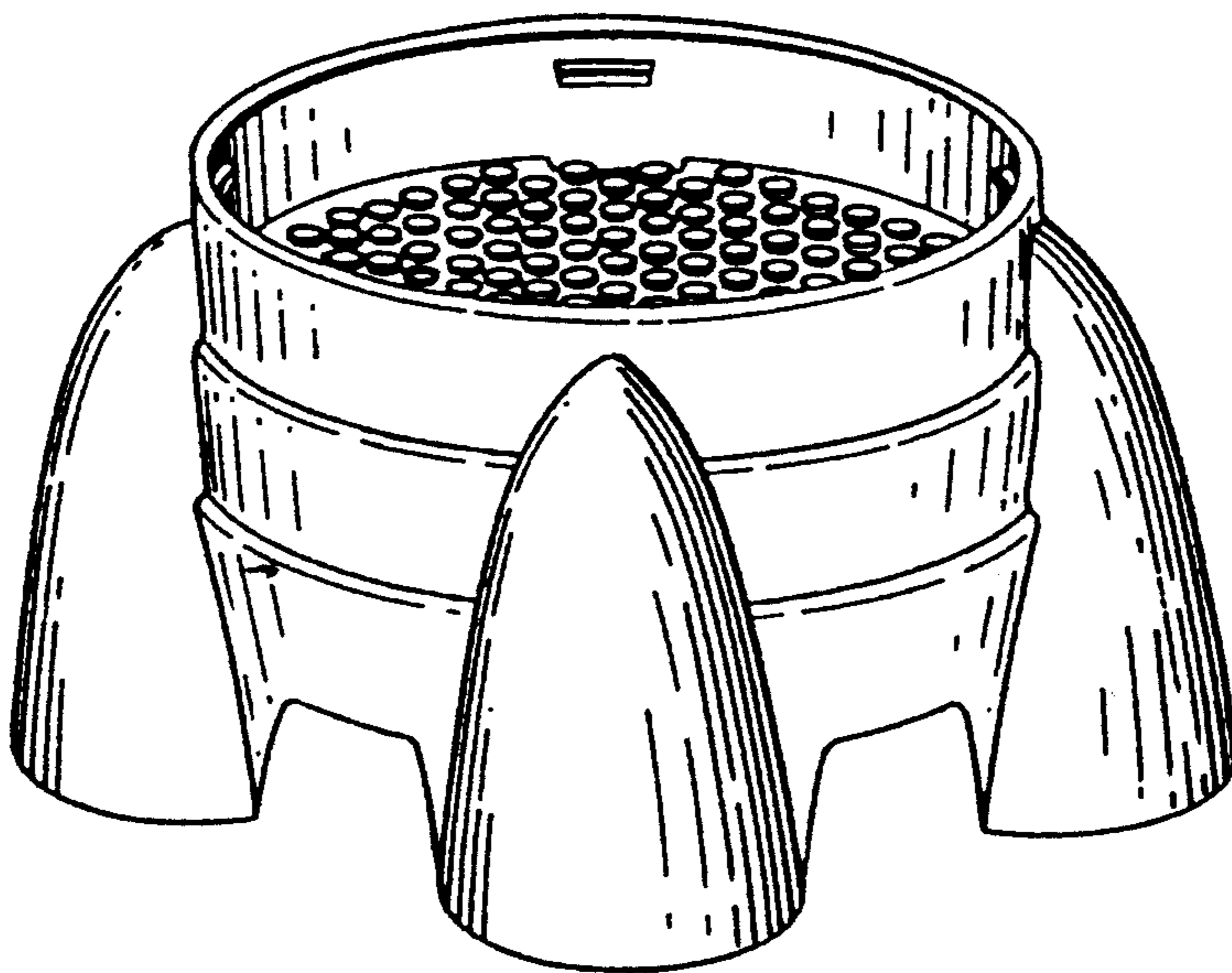
FIG. 3 is a side elevational view thereof, the side opposite, the front and rear elevational views are all identical; and,

FIG. 4 is a bottom plan view thereof.

May 12, 1992 [CA] Canada ..... 12-05-92-7

[52] U.S. Cl. .... **D21/108**

[58] Field of Search ..... D21/108; D25/126;  
446/105, 114, 125, 128, 231; 273/424, 425



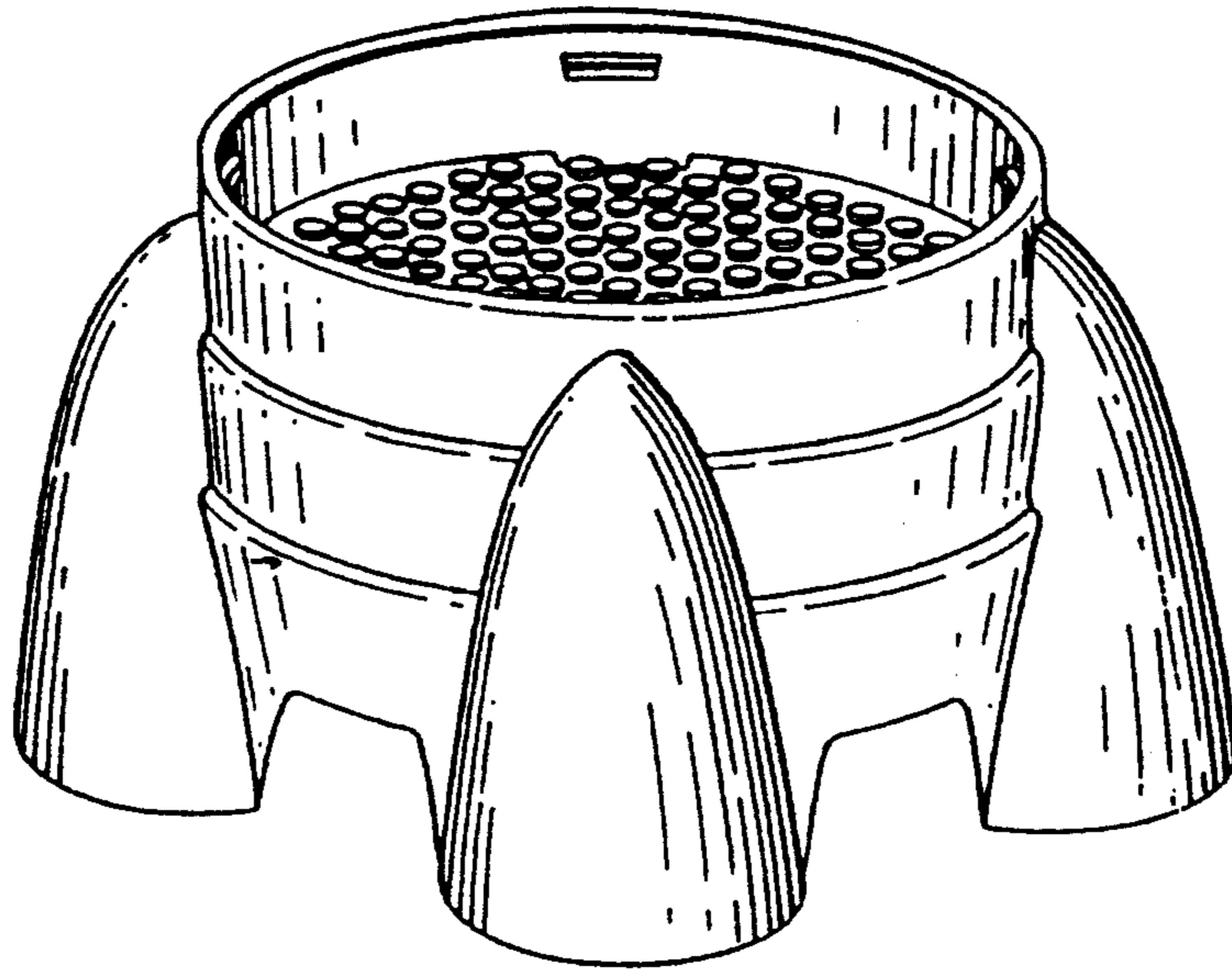


FIG 1

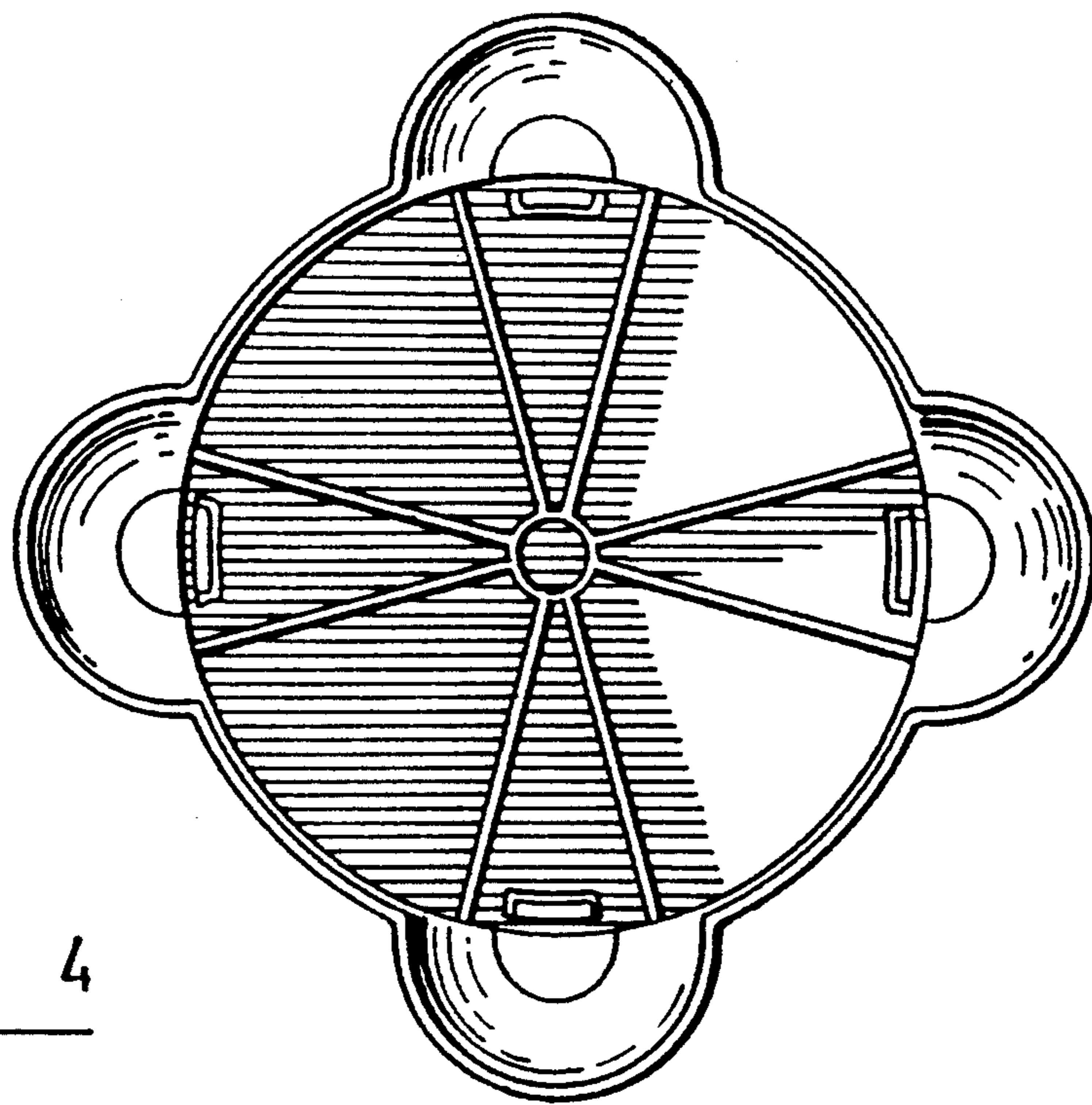


FIG. 4

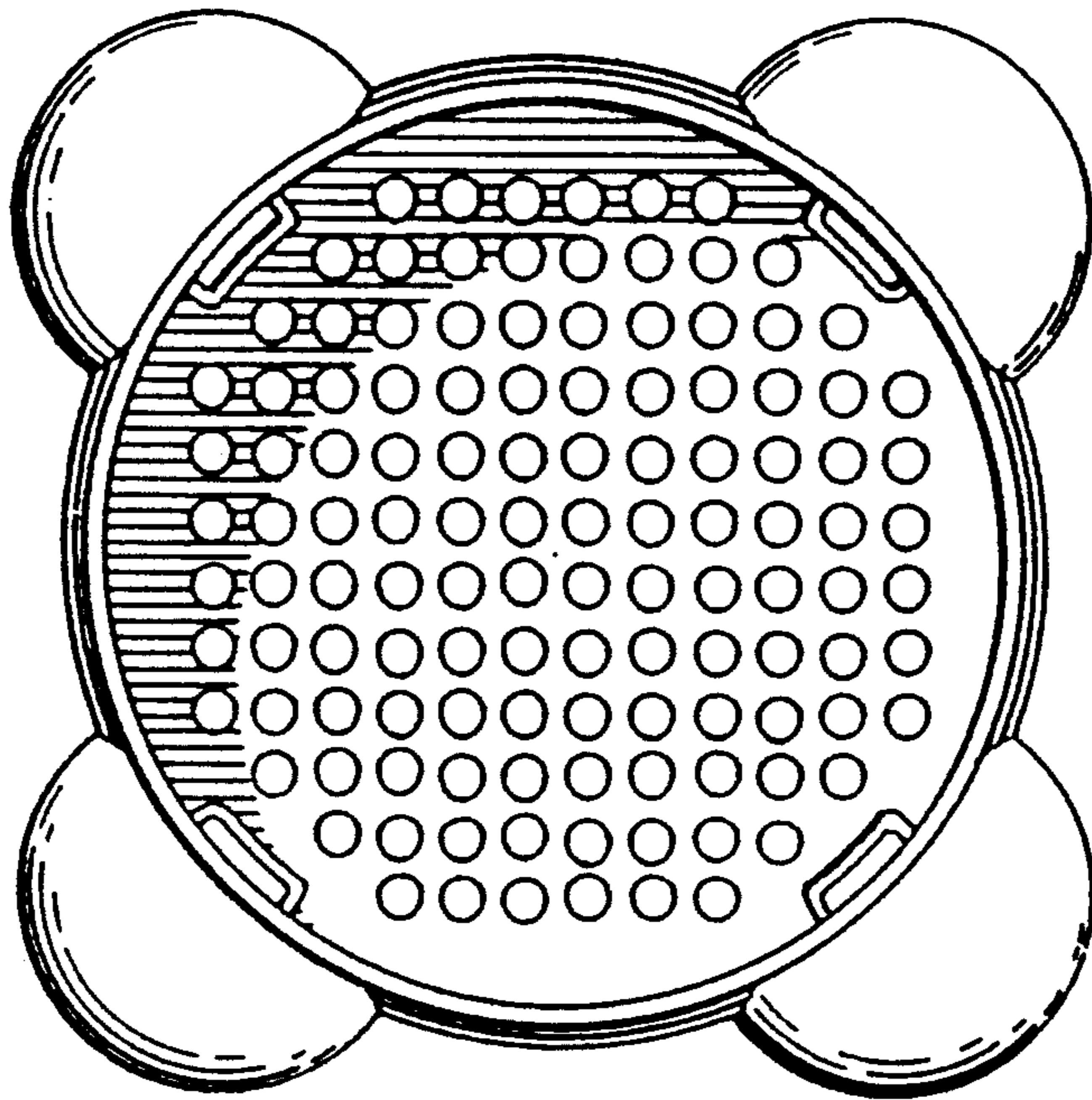


FIG. 2

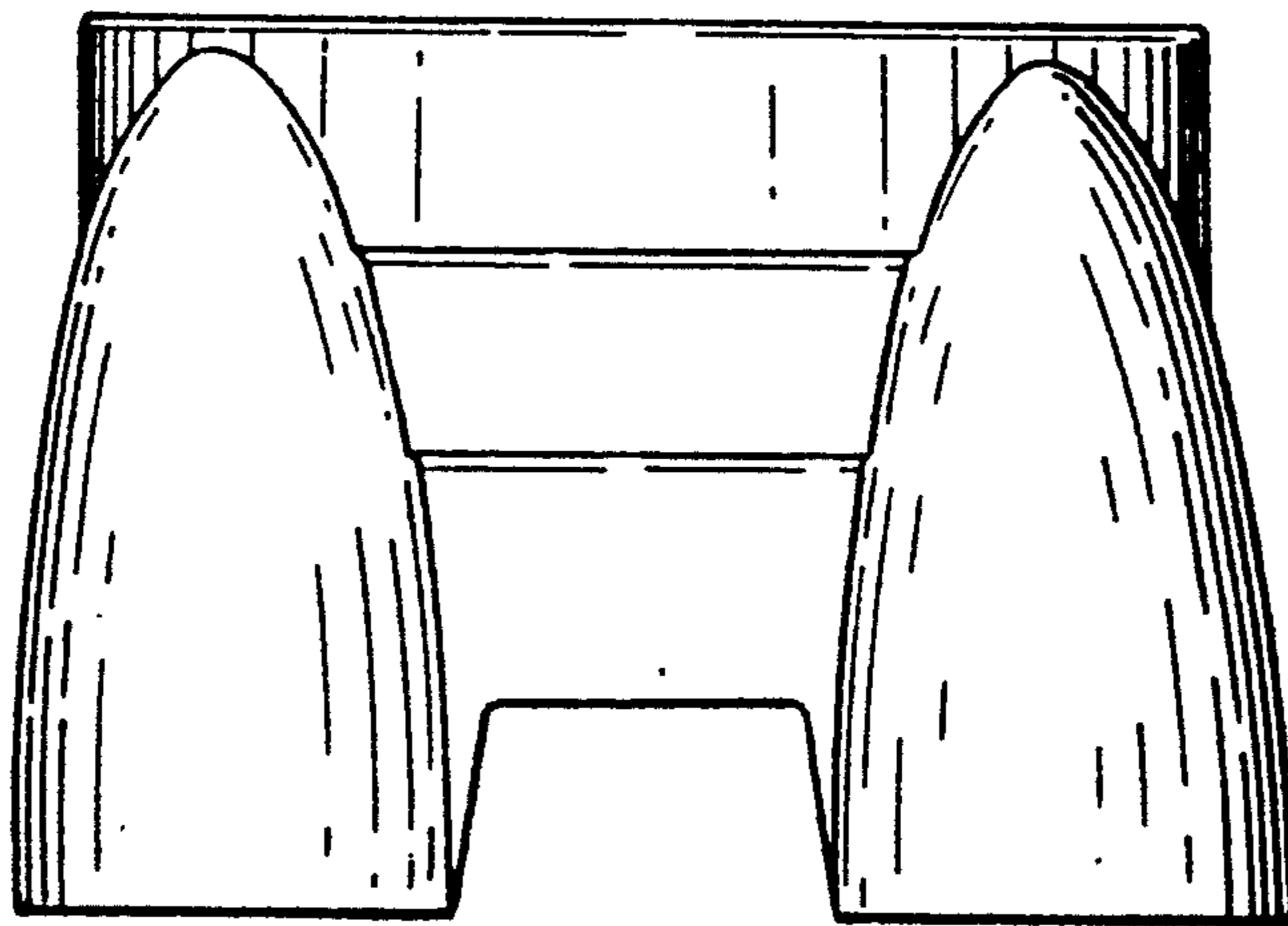


FIG. 3