



US00D342286S

United States Patent [19]

[11] Patent Number: Des. 342,286

Orsos

[45] Date of Patent: ** Dec. 14, 1993

[54] ADVERTISING DISPLAY SIGN HOLDER

[75] Inventor: Nicholas M. Orsos, Coogee New South Wales, Australia

[73] Assignee: Dimeprint (Australia) Pty Ltd., New South Wales, Australia

[**] Term: 14 Years

[21] Appl. No.: 918,643

[22] Filed: Jul. 21, 1992

[52] U.S. Cl. D20/43

[58] Field of Search D20/10, 40, 41, 43, D20/44, 99; 40/642, 644, 649, 657, 658, 660, 663, 664, 665, 666

[56] References Cited

U.S. PATENT DOCUMENTS

D. 205,986	10/1966	McCormick	D20/43
D. 206,786	1/1967	McCormick	D20/43
D. 208,084	7/1967	Hopp	D20/43
D. 208,105	7/1967	Haber	D20/43
D. 241,312	9/1976	McLintock	D20/43
D. 314,017	1/1991	Garfinkle	D20/43

OTHER PUBLICATIONS

Front cover, pp. 2, 9, 22, 30 and 31 of 1987 Hubert Company Product Identification Catalog.

Primary Examiner—Wallace R. Burke
Assistant Examiner—Marcus Jackson
Attorney, Agent, or Firm—Fulwider Patton Lee & Utecht

[57] CLAIM

The ornamental design for a advertising display sign holder, as shown and described.

DESCRIPTION

FIG. 1 is a front perspective view of an advertising display sign holder showing my new design, with the broken line showing for illustrative purposes only and forming no part of the claimed design; FIG. 2 is a rear elevational view thereof; FIG. 3 is a front elevational view thereof; FIG. 4 is a left side elevational view thereof, of which the right side is a mirror image; FIG. 5 is a bottom plan thereof; and, FIG. 6 is a top plan view thereof.

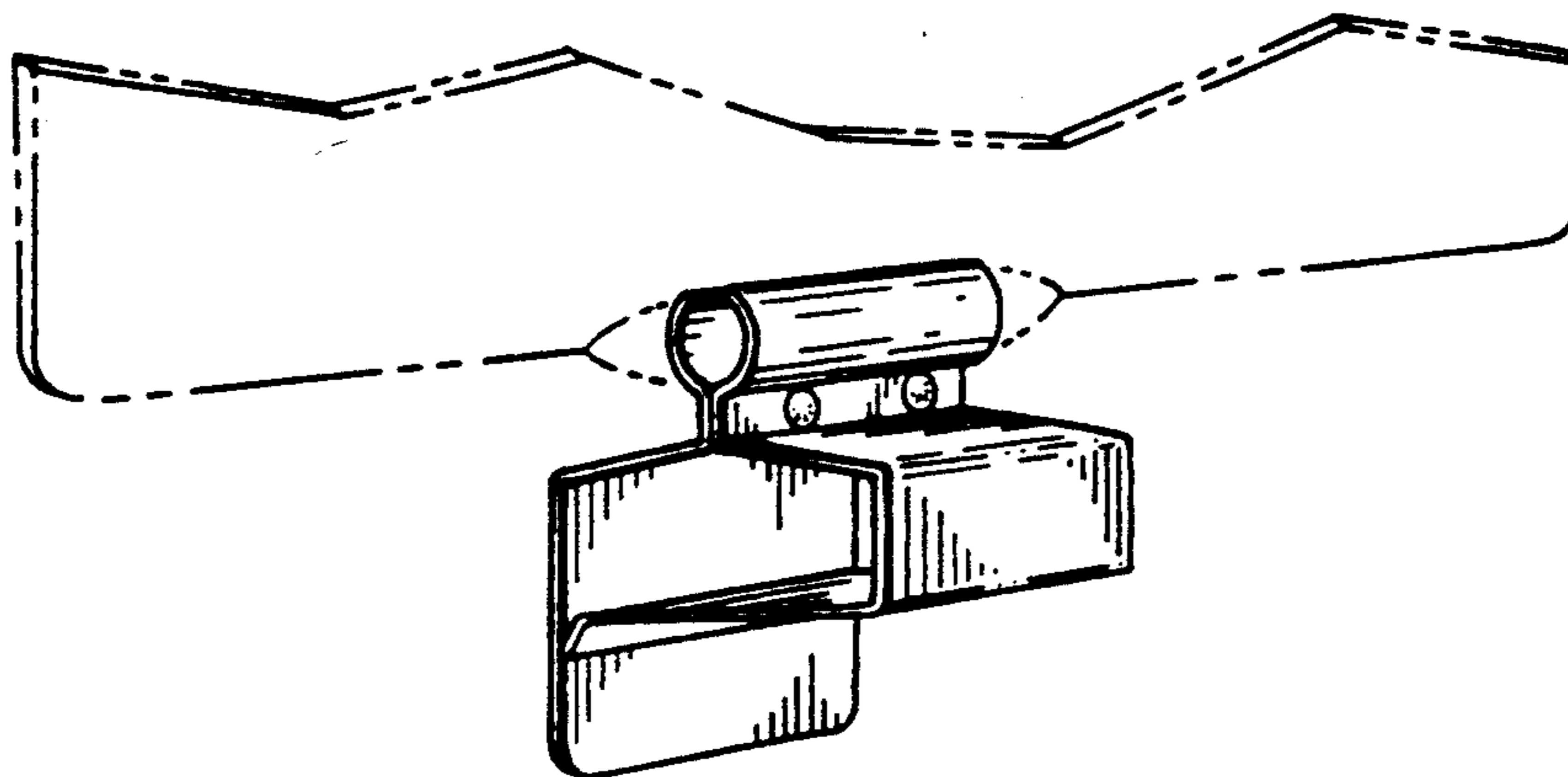


FIG. 1

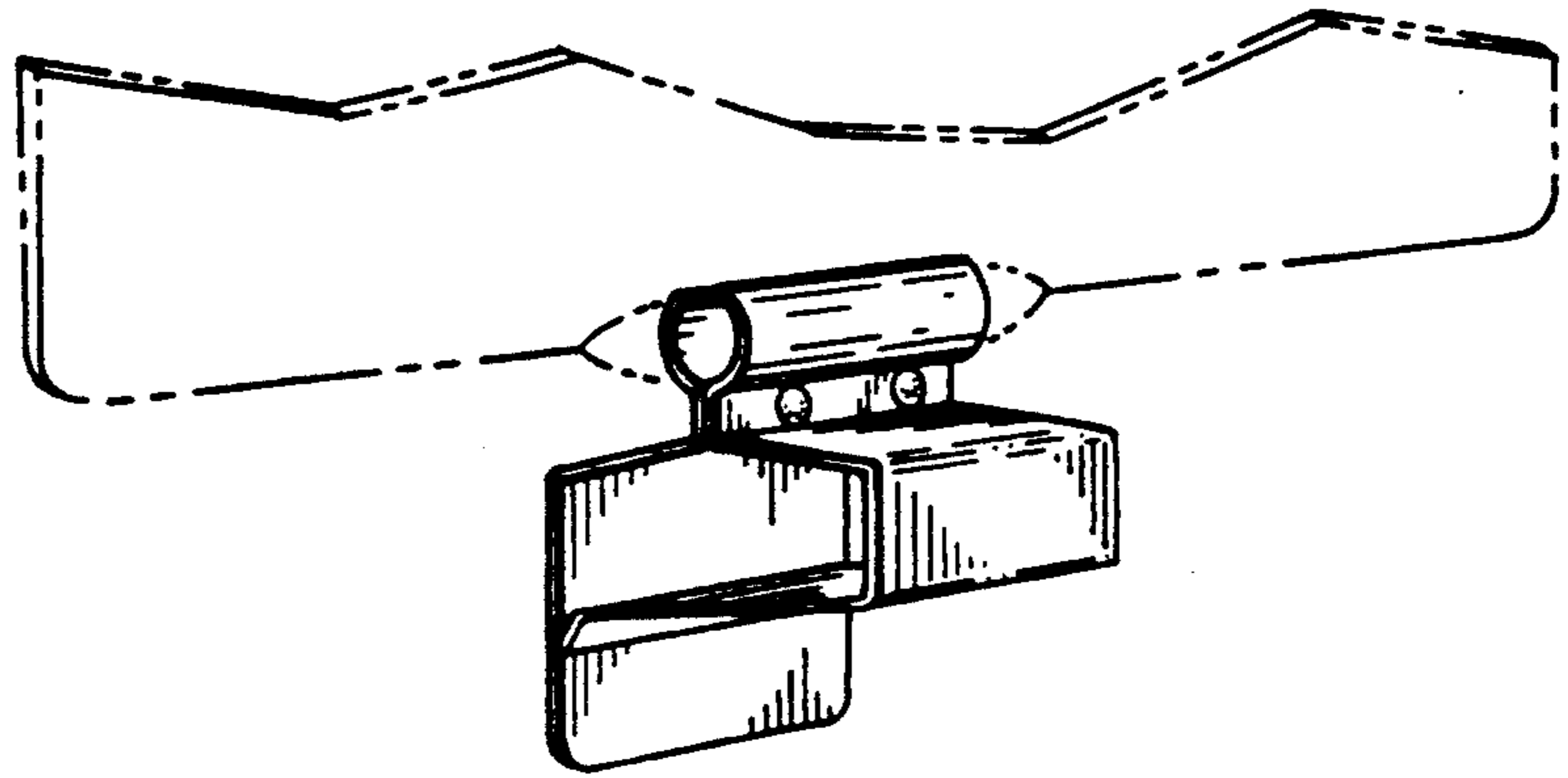


FIG. 5

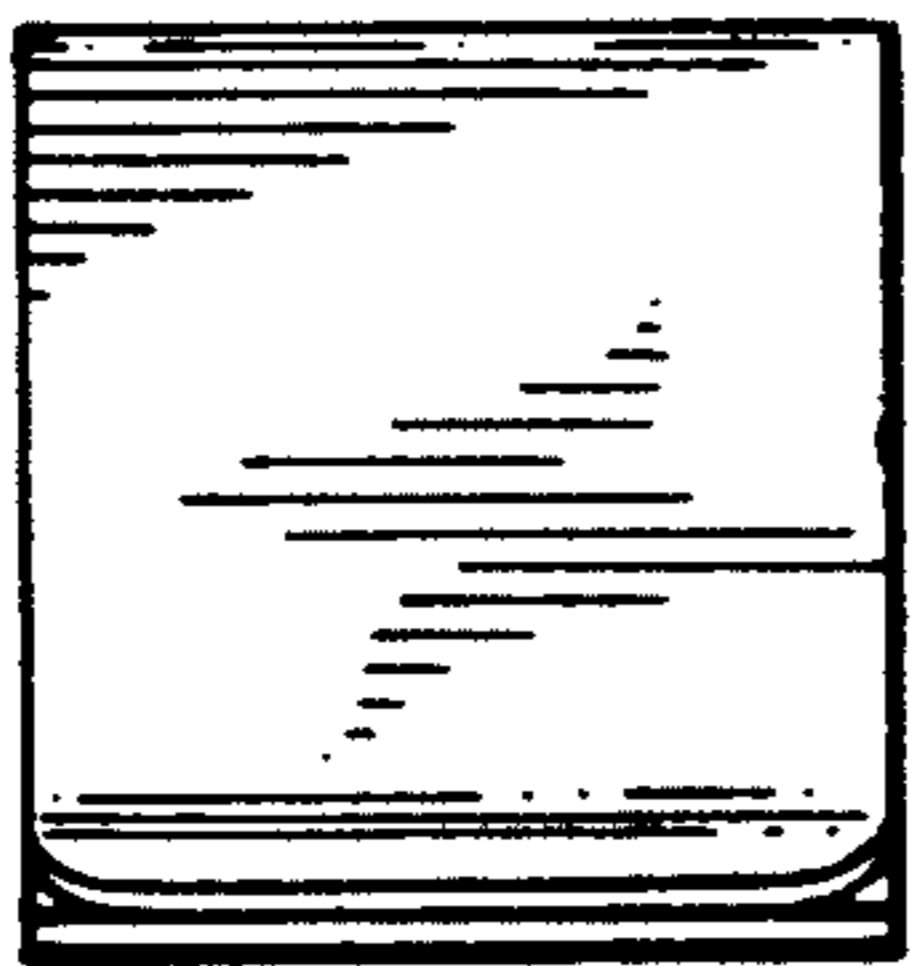


FIG. 2

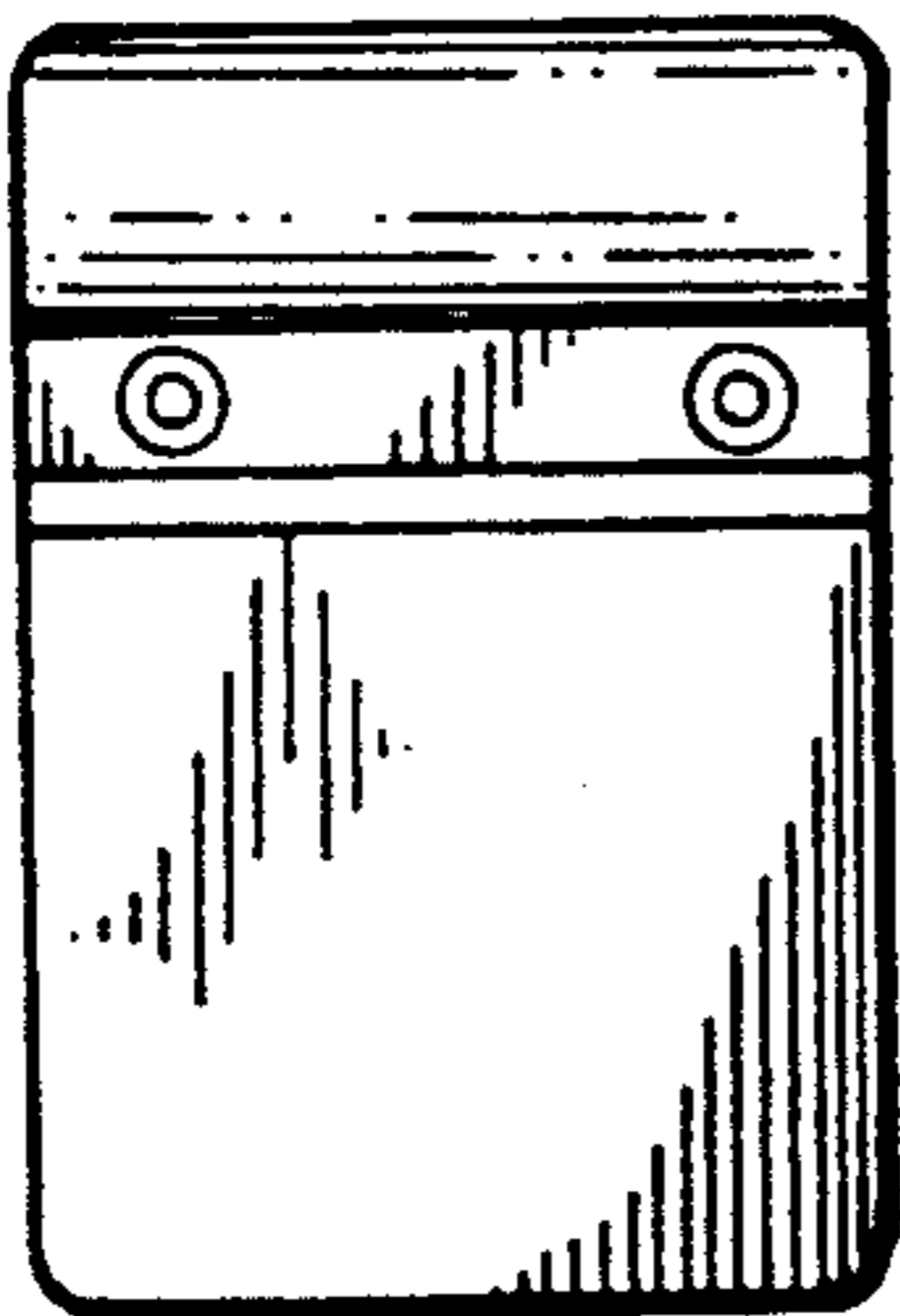


FIG. 4

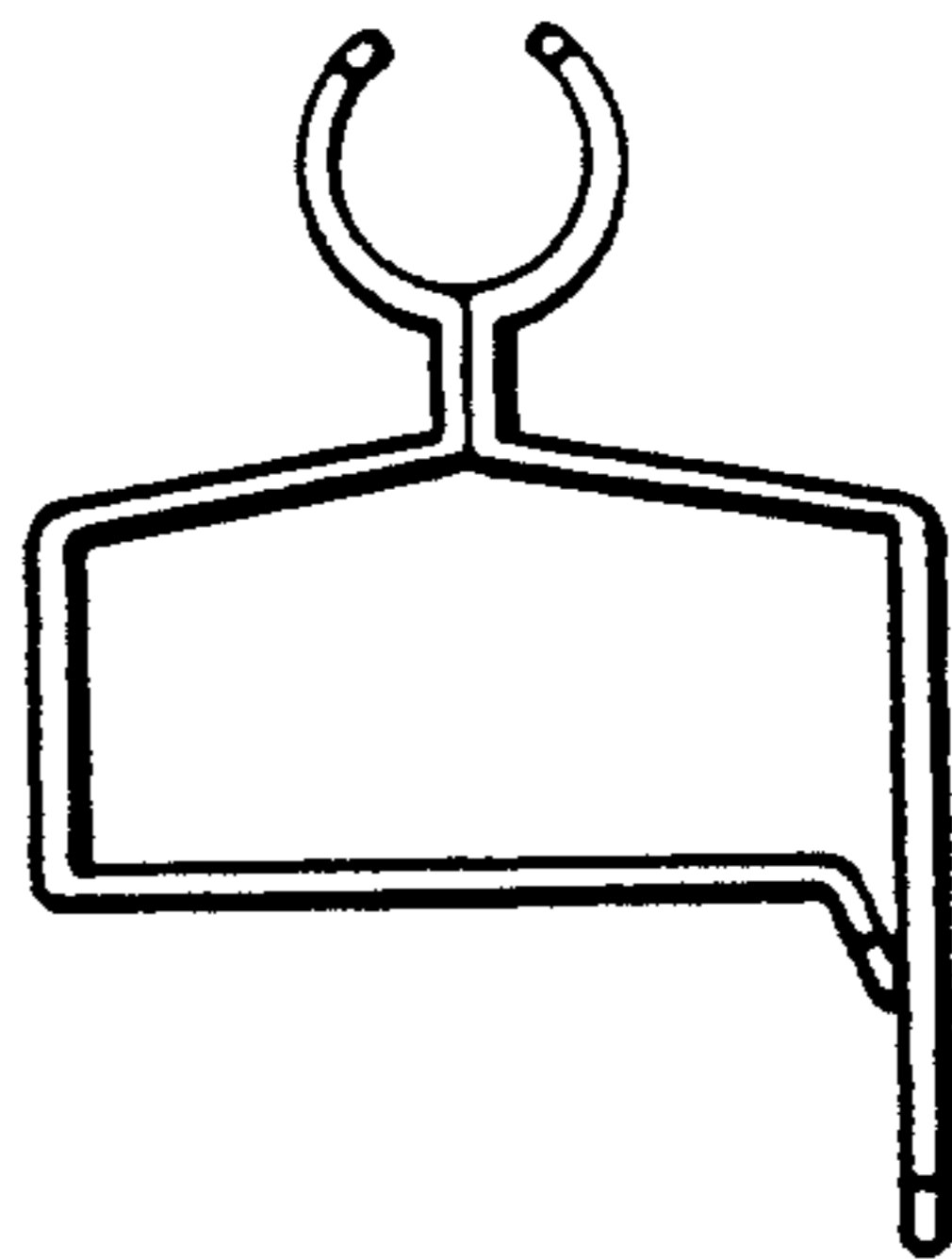


FIG. 6

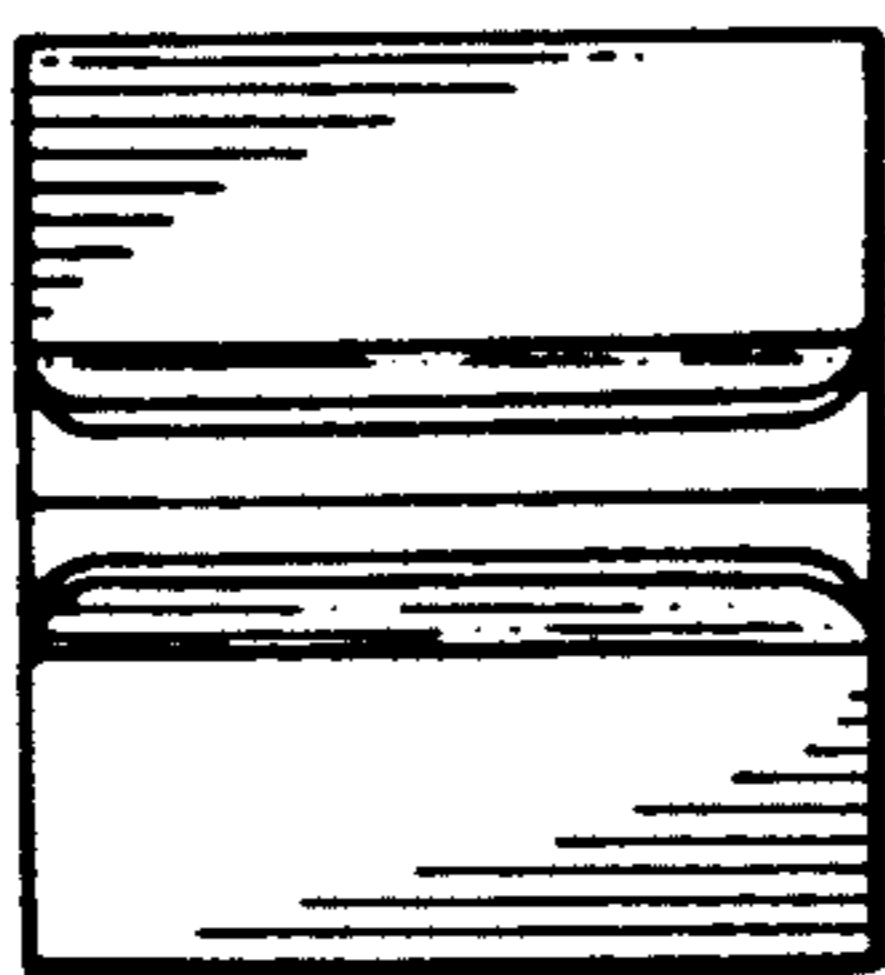


FIG. 3

