



US00D342282S

**United States Patent** [19]  
**Kennedy**

[11] **Patent Number: Des. 342,282**  
[45] **Date of Patent: \*\* Dec. 14, 1993**

[54] **COMBINED WRITING INSTRUMENT AND HOLDER THEREFOR**

[76] **Inventor: Guy W. Kennedy, 7 Cedar Close, Epsom, Surrey, KT17 4HG, England**

[\*\*] **Term: 14 Years**

[21] **Appl. No.: 923,042**

[22] **Filed: Jul. 31, 1992**

[30] **Foreign Application Priority Data**

Feb. 3, 1992 [GB] United Kingdom ..... 2020741  
[52] **U.S. Cl. .... D19/83; D19/48; D19/95**

[58] **Field of Search .... D19/35, 36, 41-51, D19/54-58, 81-85, 95, 99, 100; 211/69.1-69.9; 401/99, 100, 88**

[56] **References Cited**

**U.S. PATENT DOCUMENTS**

D. 40,583 3/1910 Sauereiseu ..... D19/77  
D. 136,660 11/1943 Kiser ..... D19/78

D. 144,350 4/1946 Botkin ..... D19/77  
D. 157,150 2/1950 Hanson ..... D19/78 X  
D. 181,096 10/1957 Greif ..... D19/78  
D. 186,701 11/1959 Bunn ..... D19/83  
D. 224,455 7/1972 Oberton ..... D19/51 X  
D. 238,945 2/1976 Macowski ..... D19/75  
D. 281,174 10/1985 Mahoney et al. .... D19/84 X  
D. 292,007 9/1987 Ambasz ..... D19/48  
2,693,788 11/1954 Spatz ..... 211/69.1

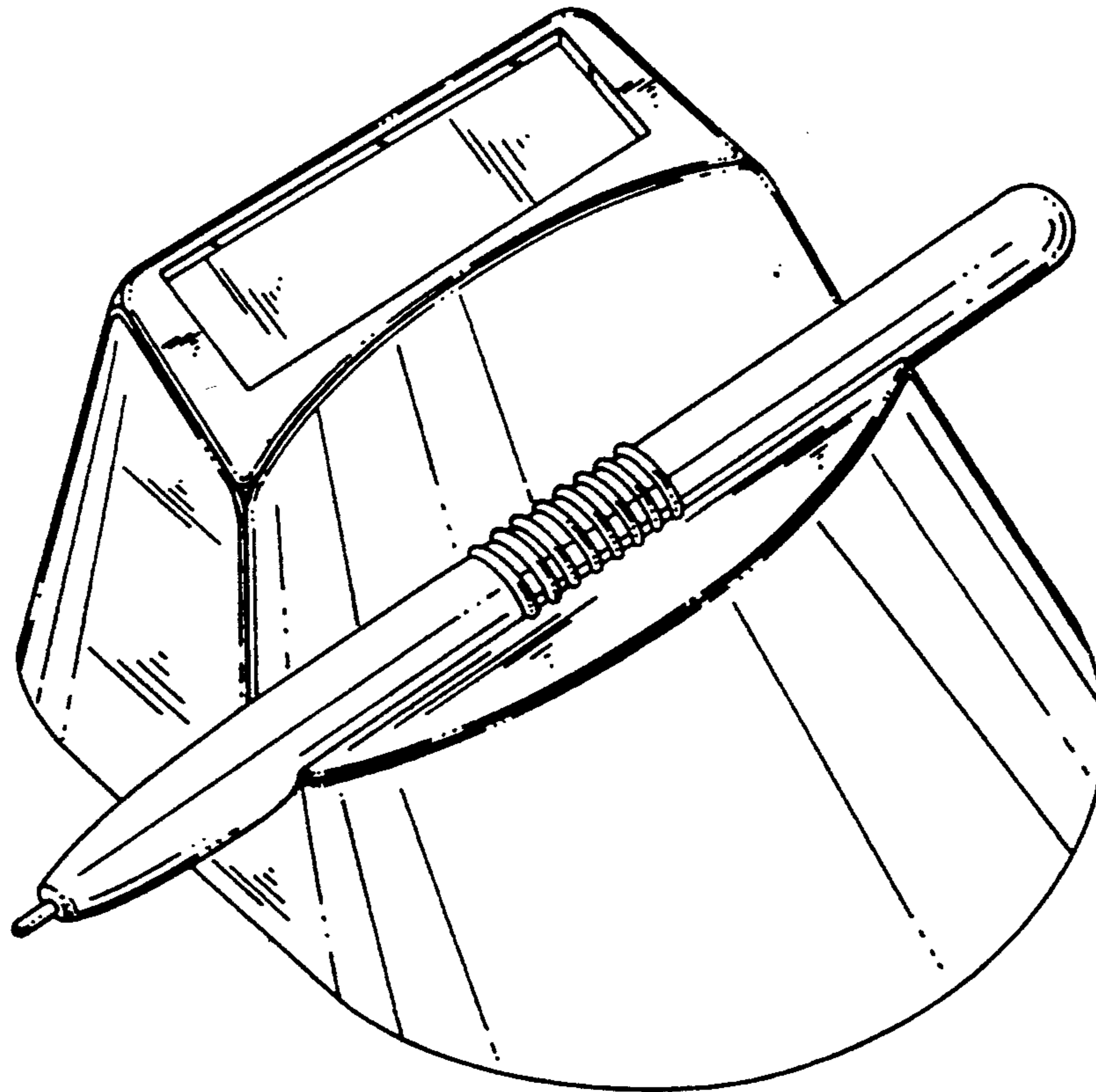
*Primary Examiner*—Nelson C. Holtje  
*Assistant Examiner*—Martha Thompson

[57] **CLAIM**

The ornamental design for a combined writing instrument and holder therefor, as shown and described.

**DESCRIPTION**

FIG. 1 is a perspective view of a combined writing instrument and holder therefor showing my new design; FIG. 2 is a top plan view thereof; FIG. 3 is a front elevational view thereof; FIG. 4 is a rear elevational view thereof; FIG. 5 is a left side elevational view thereof; and, FIG. 6 is a right side elevational view thereof.



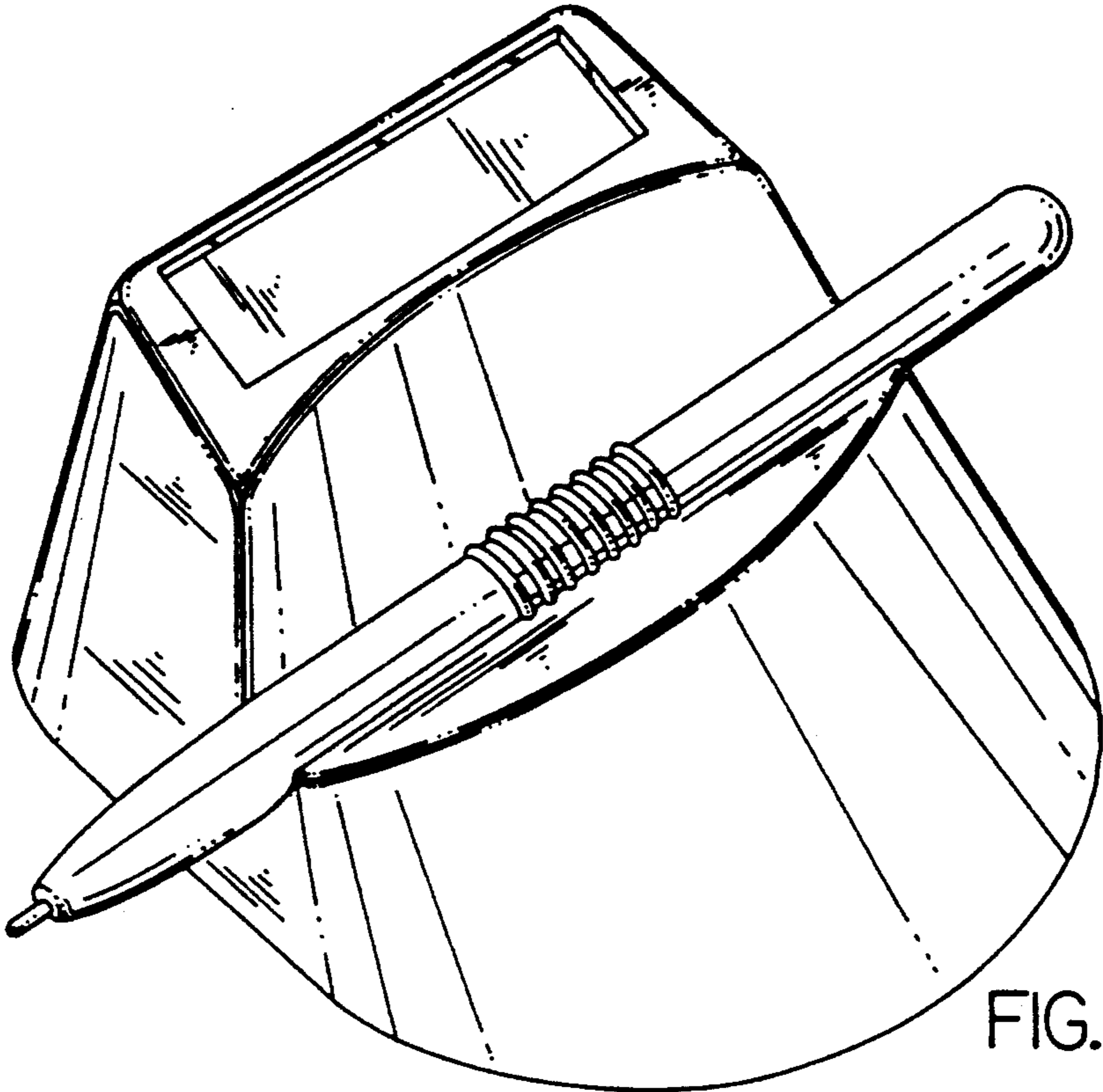


FIG. 1

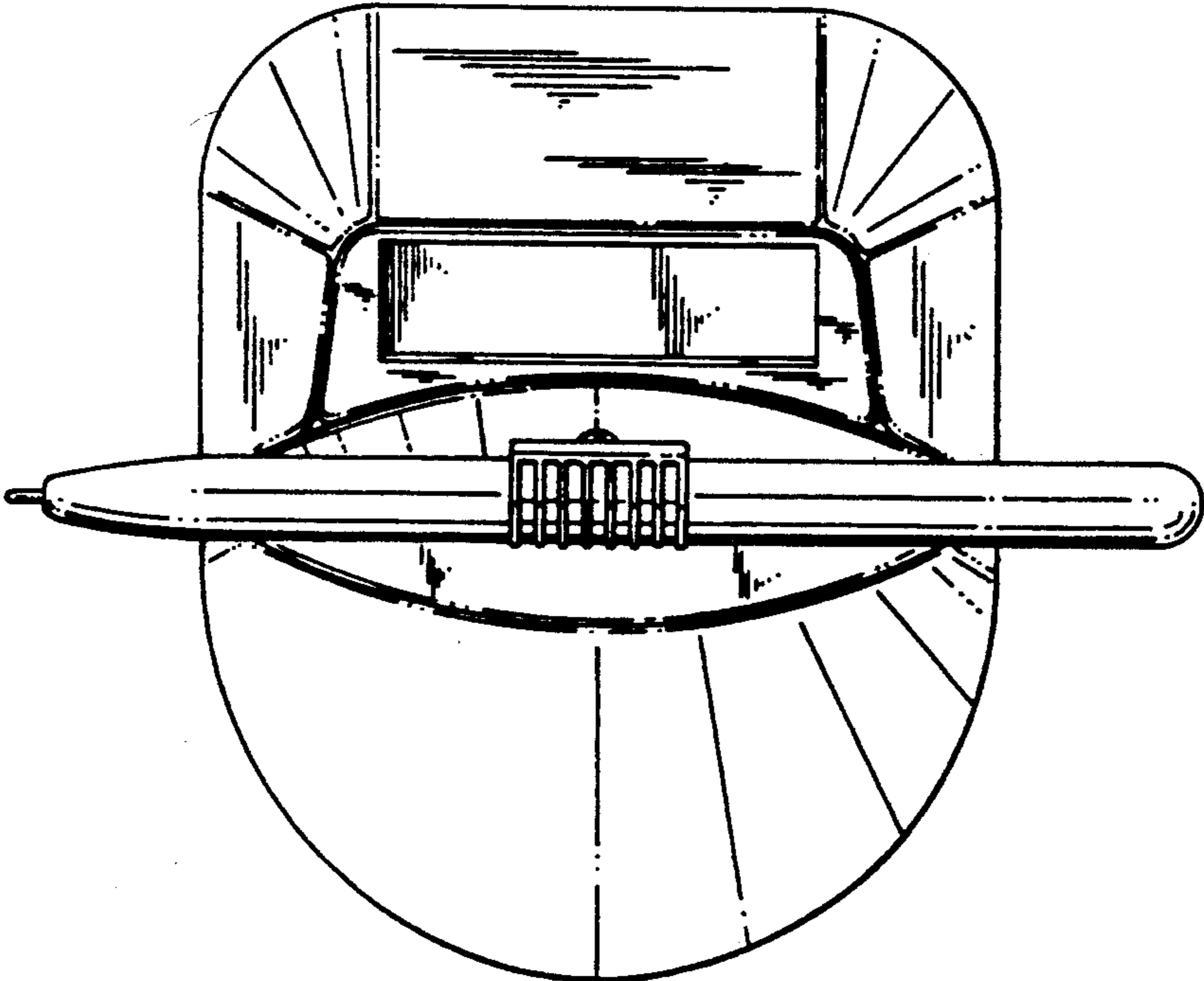


FIG. 2

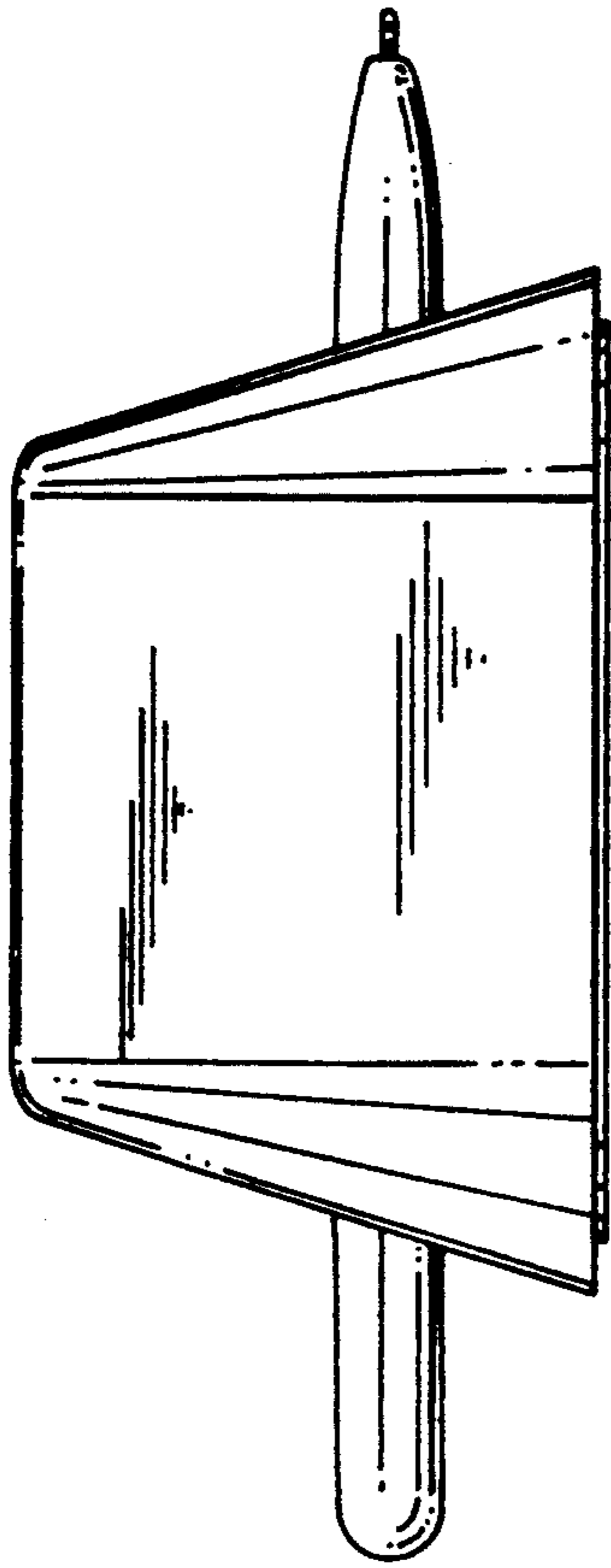


FIG. 4

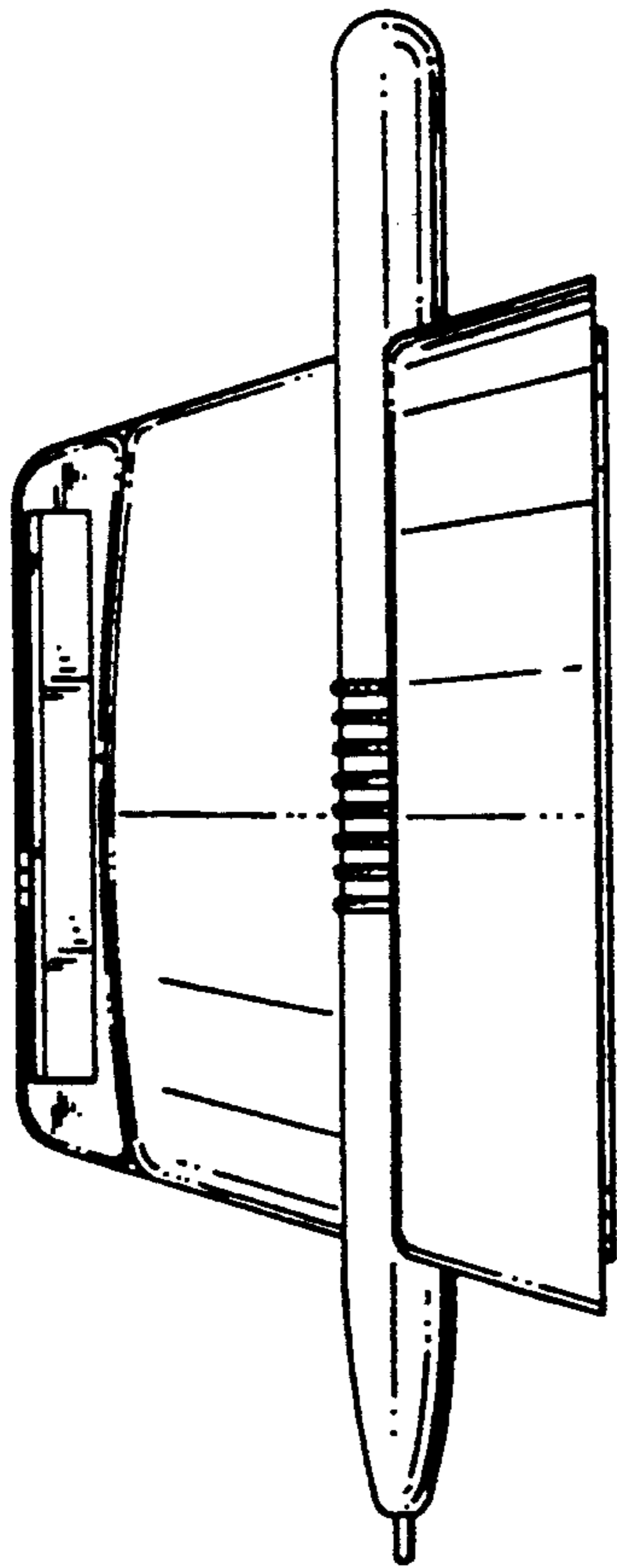


FIG. 3

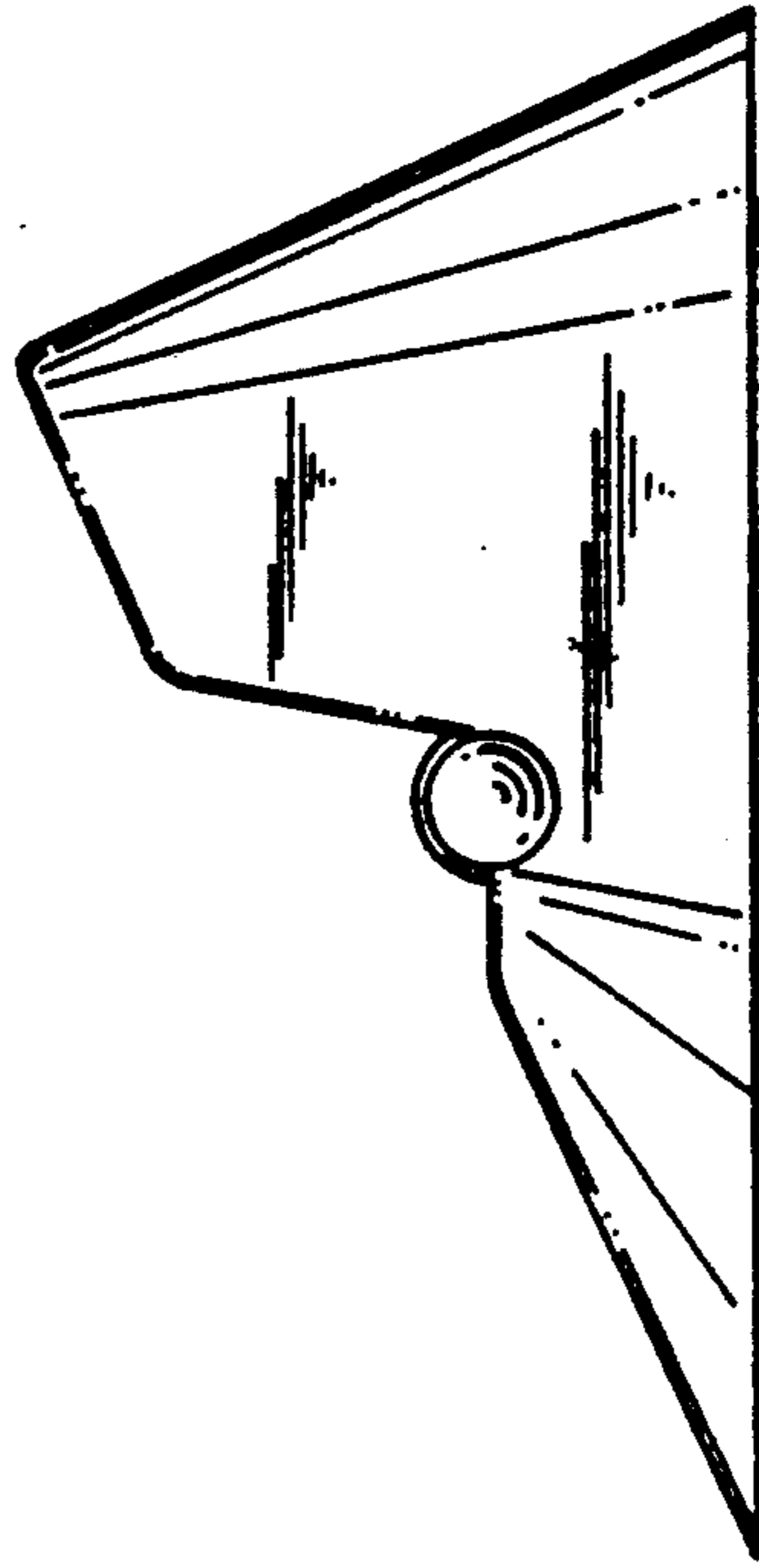


FIG. 6

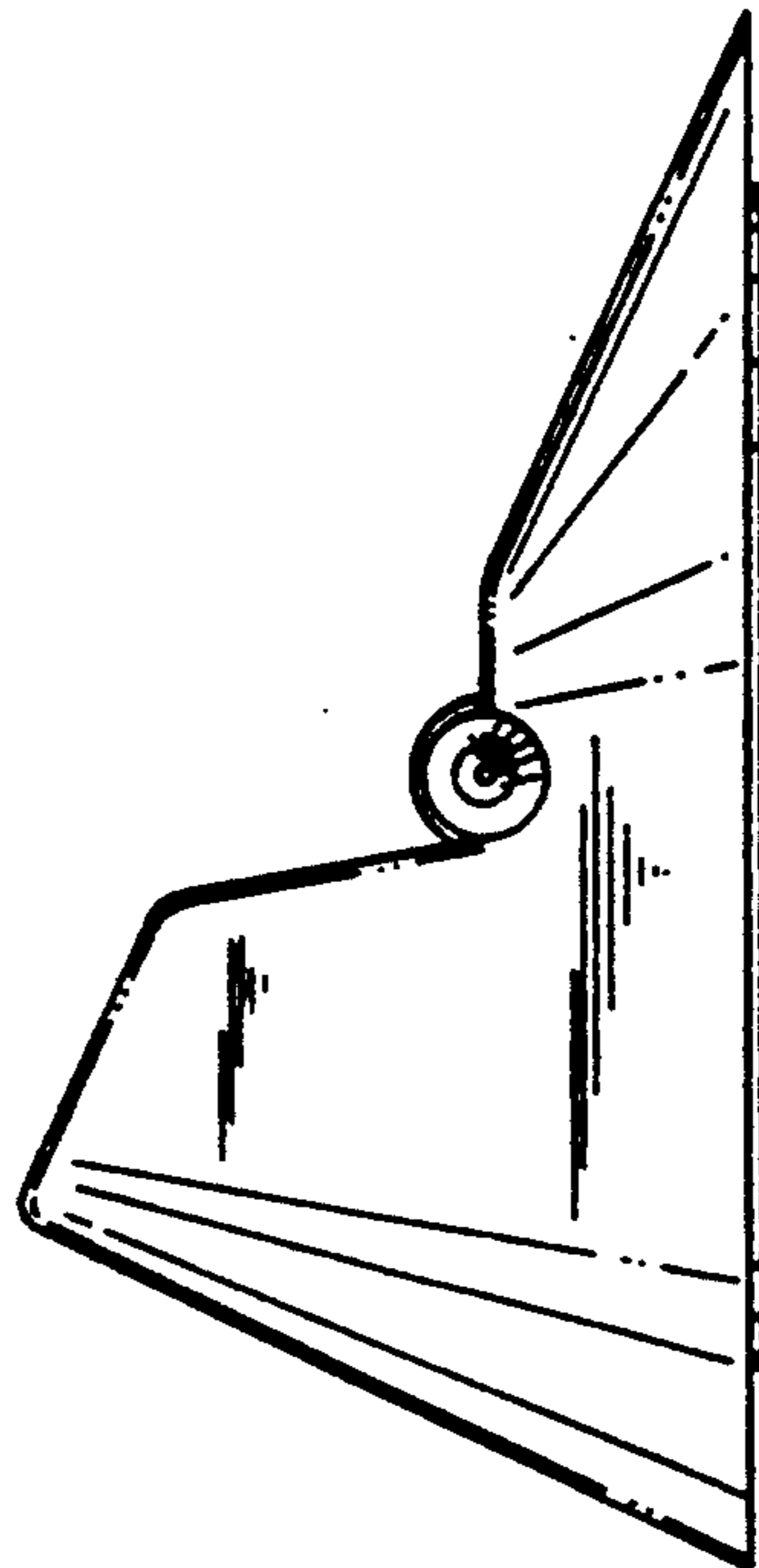


FIG. 5