



US00D342281S

United States Patent [19]

[11] Patent Number: **Des. 342,281**

Lin

[45] Date of Patent: **** Dec. 14, 1993**

[54] **ORGANIZER FOR ASSORTED DESK ARTICLES**

D. 303,552	9/1989	Ancona et al.	D19/77
D. 328,100	7/1992	Liau	D19/77
D. 328,472	8/1992	Ancona et al.	D19/77
D. 329,766	9/1992	Ancona et al.	D19/77 X
D. 330,728	11/1992	Liau	D19/77 X

[76] Inventor: **I-Chen Lin**, 11, Lane 328, Kuanghua Road, Luchou Hsiang, Taipei, Taiwan

Primary Examiner—Nelson C. Holtje
Assistant Examiner—Martha Thompson
Attorney, Agent, or Firm—Ladas & Parry

[**] Term: **14 Years**

[21] Appl. No.: **909,422**

[57] **CLAIM**

[22] Filed: **Jul. 6, 1992**

The ornamental design for an organizer for assorted desk articles, as shown and described.

[52] U.S. Cl. **D19/77; D7/641; D19/65; D19/75; D19/85**

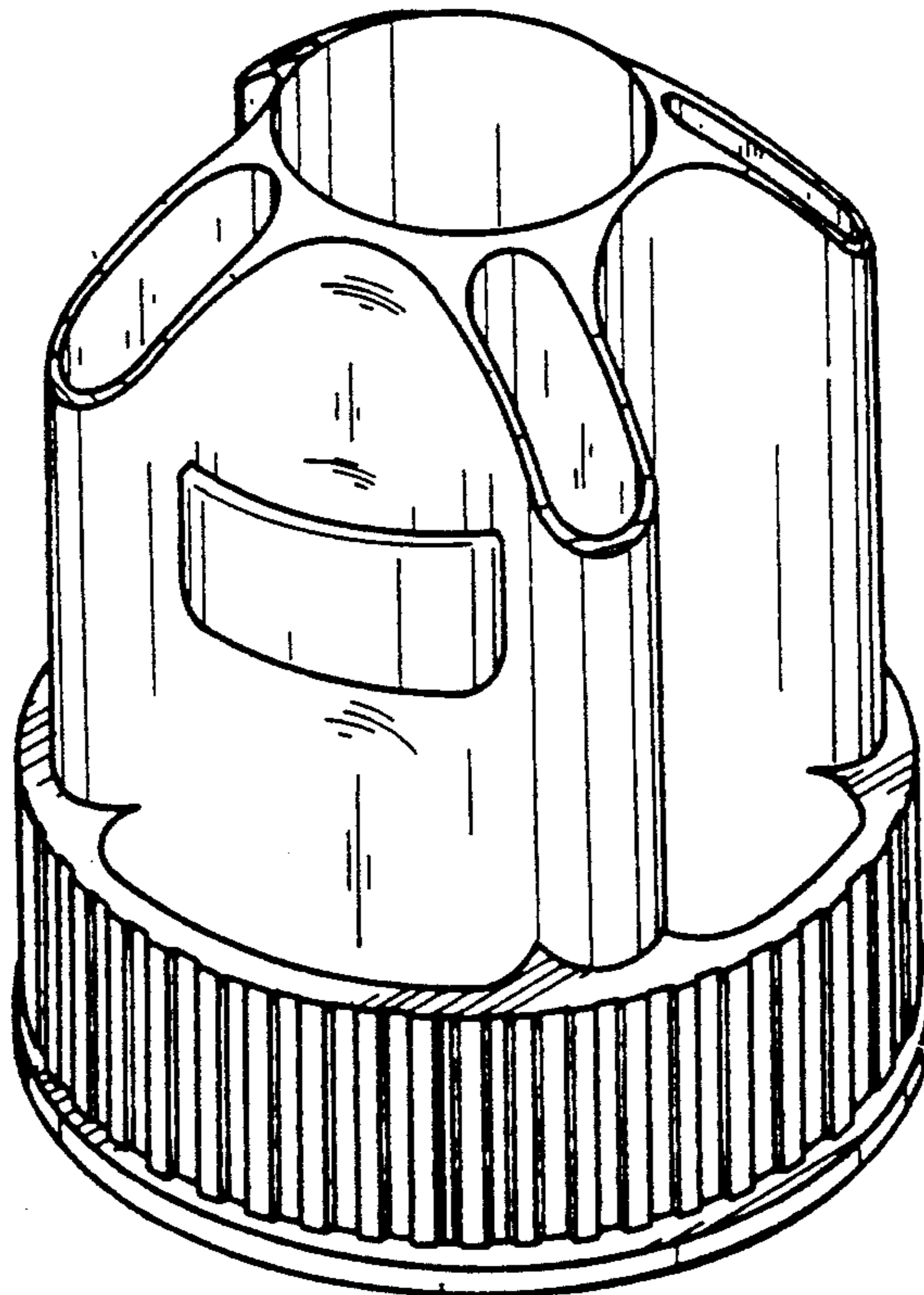
DESCRIPTION

[58] **Field of Search** **D19/35, 36, 65, 75, D19/76, 77, 78, 84, 85, 95, 99, 100; 206/214, 224, 371; 211/69.1-69.9; 220/500, 505; D7/641; D3/74**

FIG. 1 is a top, left front perspective view of an organizer for assorted desk articles showing my new design; FIG. 2 is a front elevational view; FIG. 3 is a rear elevational view; FIG. 4 is a right side elevational view; FIG. 5 is a left side elevational view; FIG. 6 is a top plan view; and, FIG. 7 is a bottom plan view thereof.

[56] **References Cited**
U.S. PATENT DOCUMENTS

D. 264,224 5/1982 Henkels D19/75



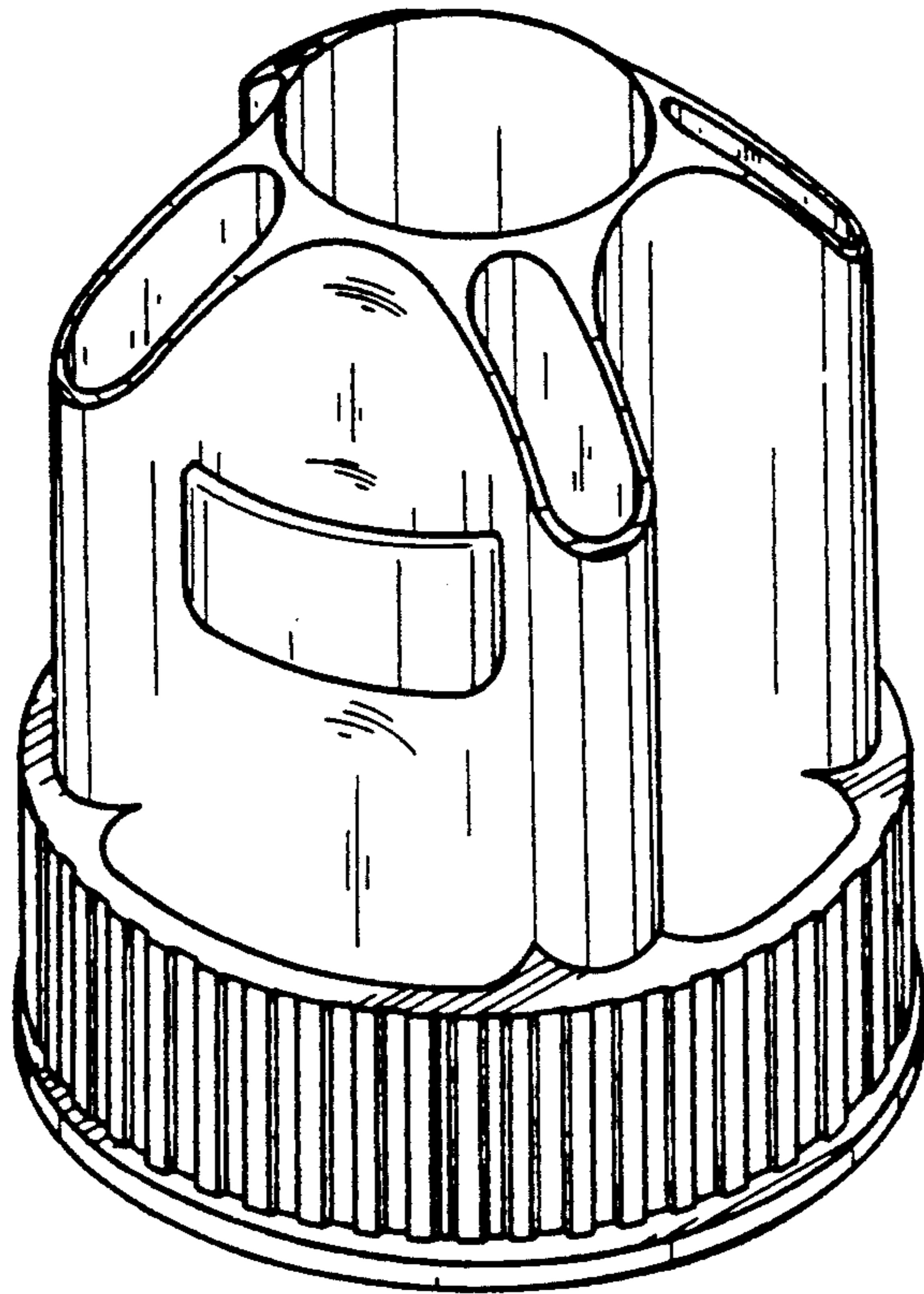


FIG. 1

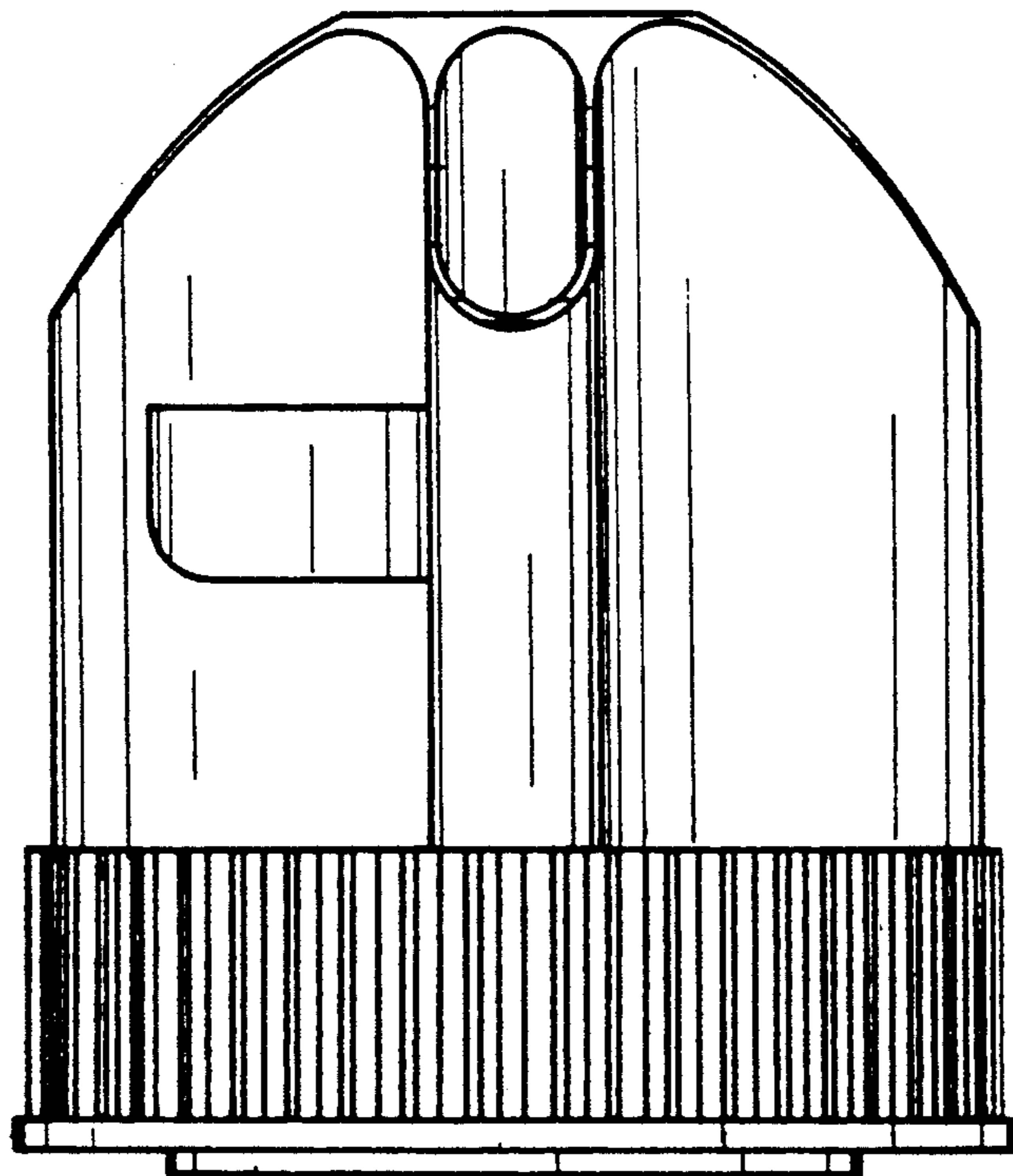


FIG. 2

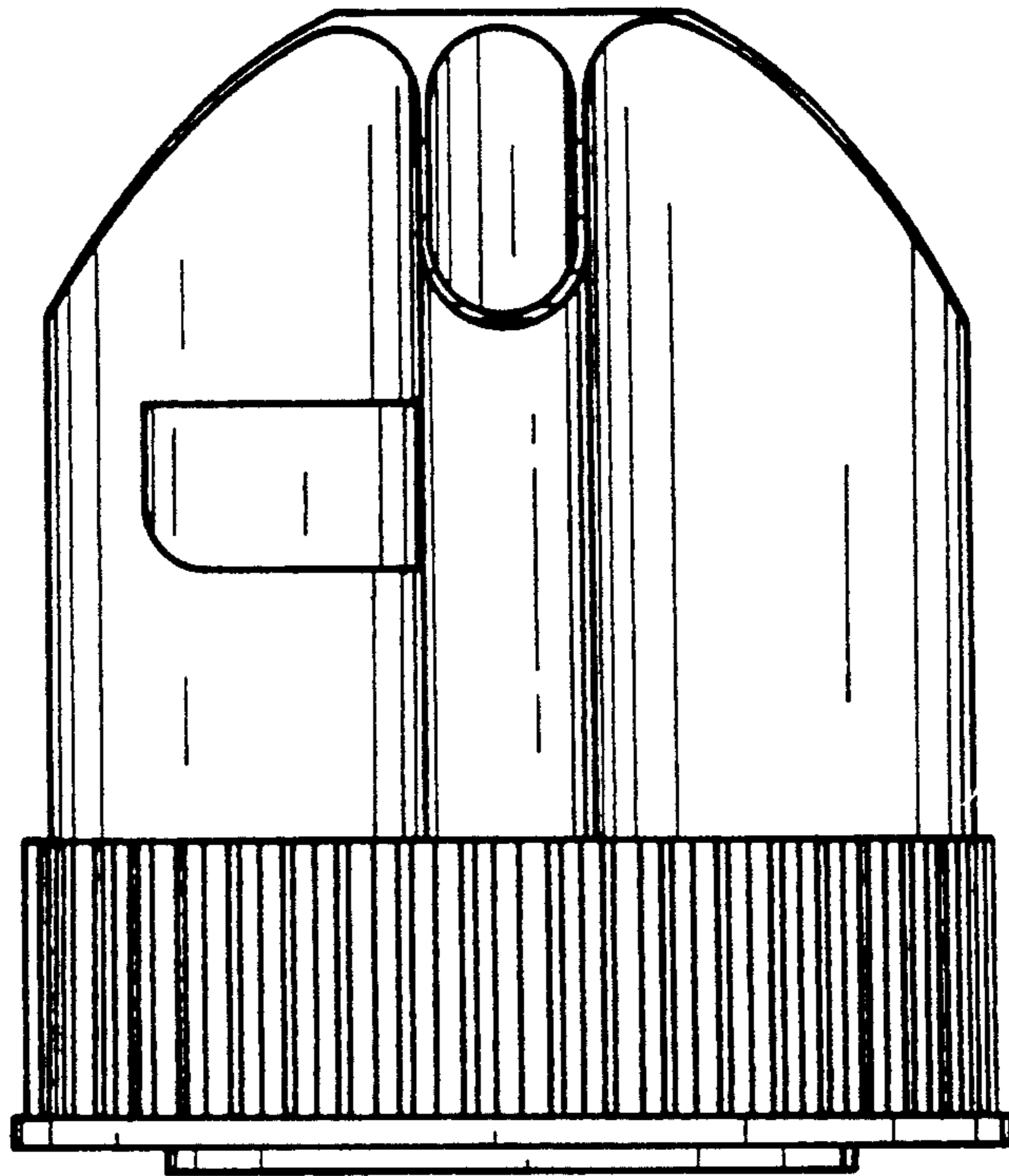


FIG. 3

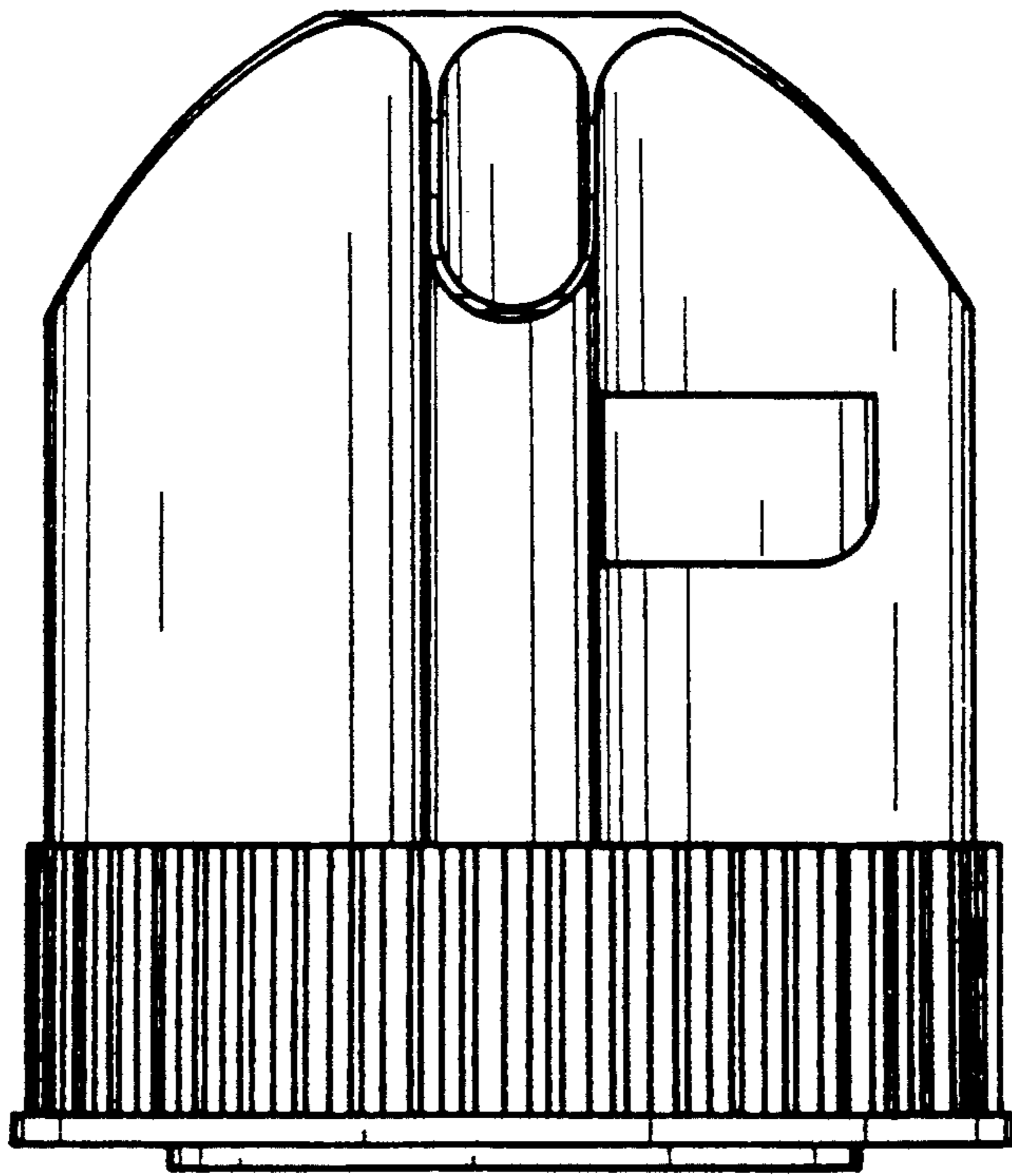


FIG. 4

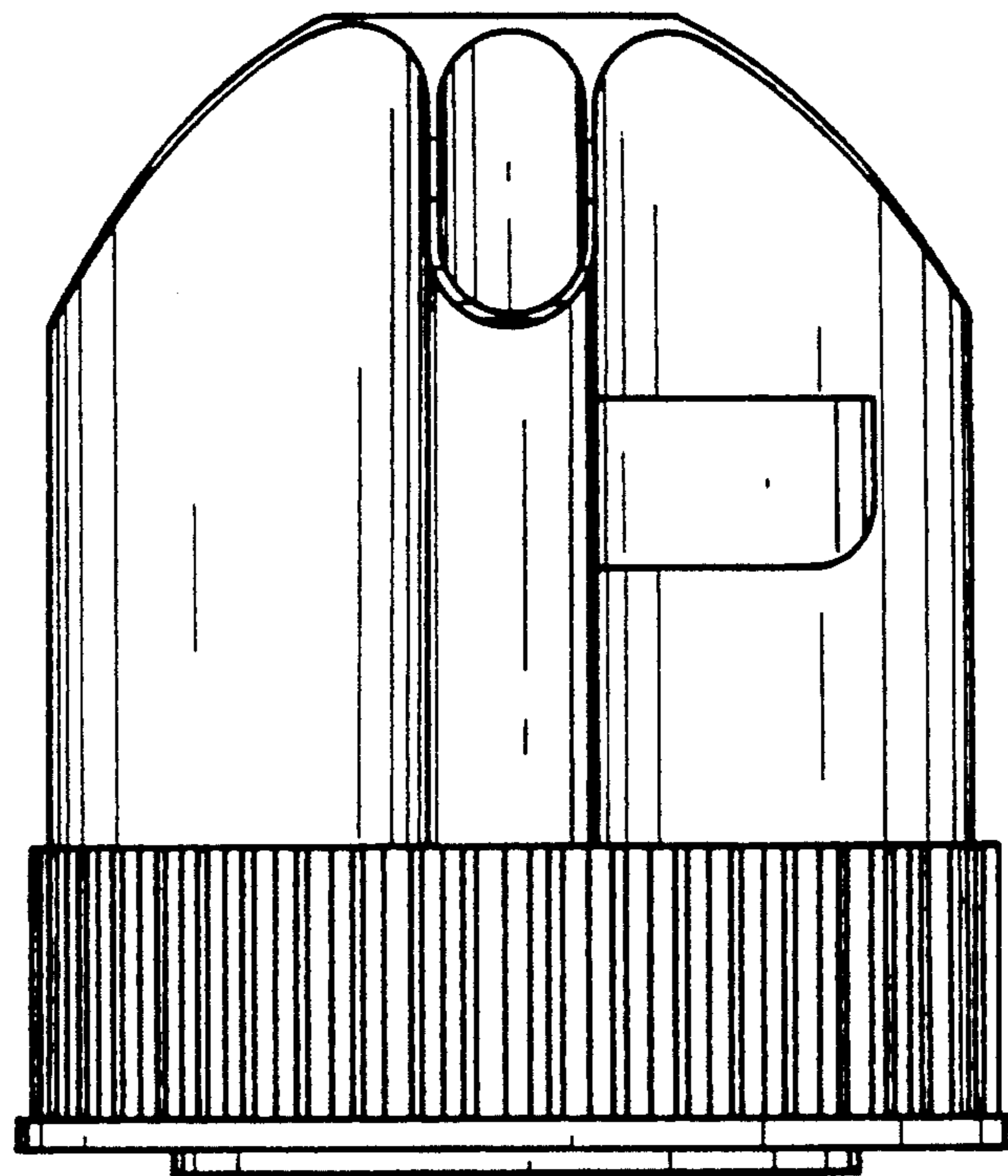


FIG. 5

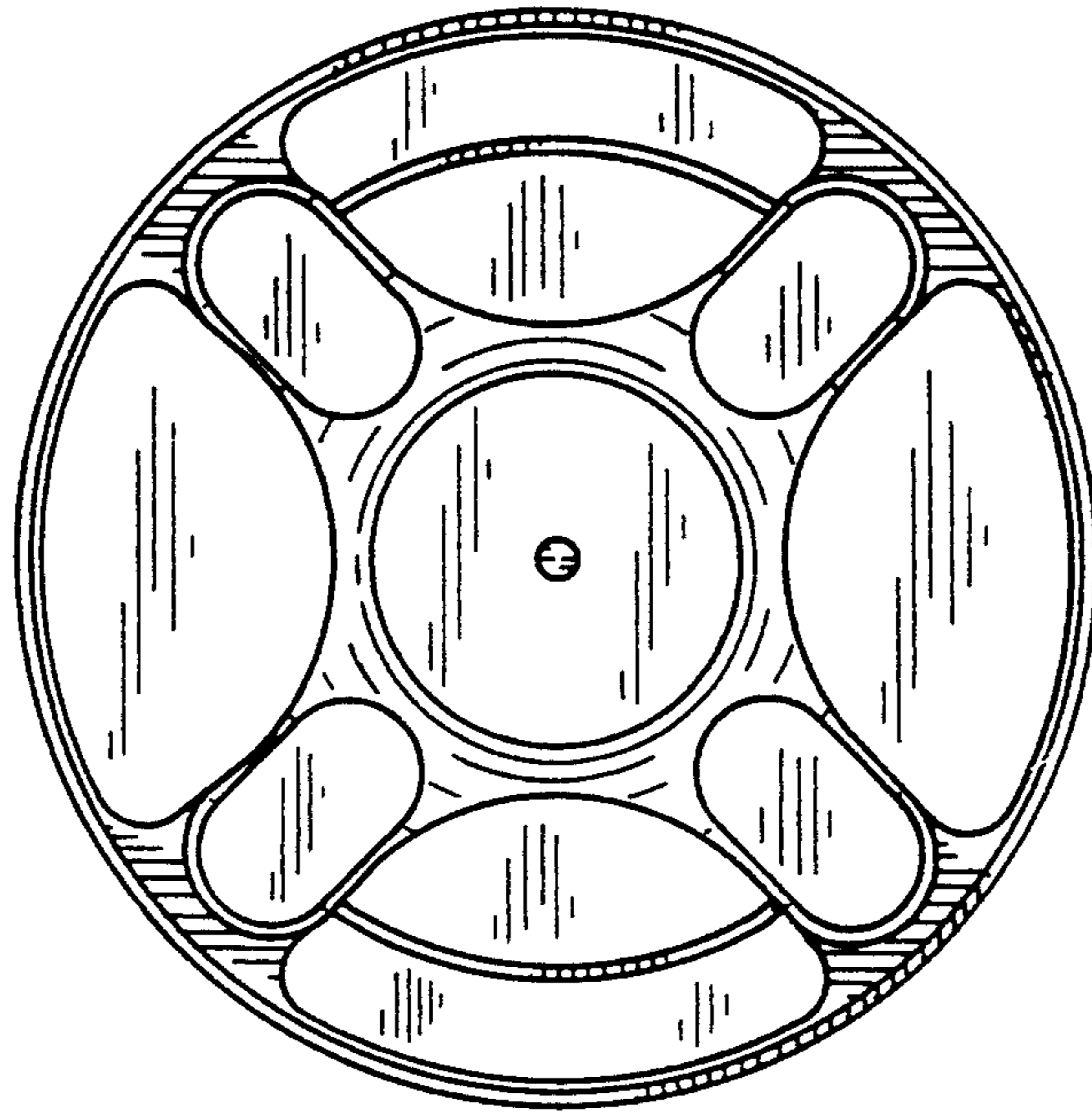


FIG. 6

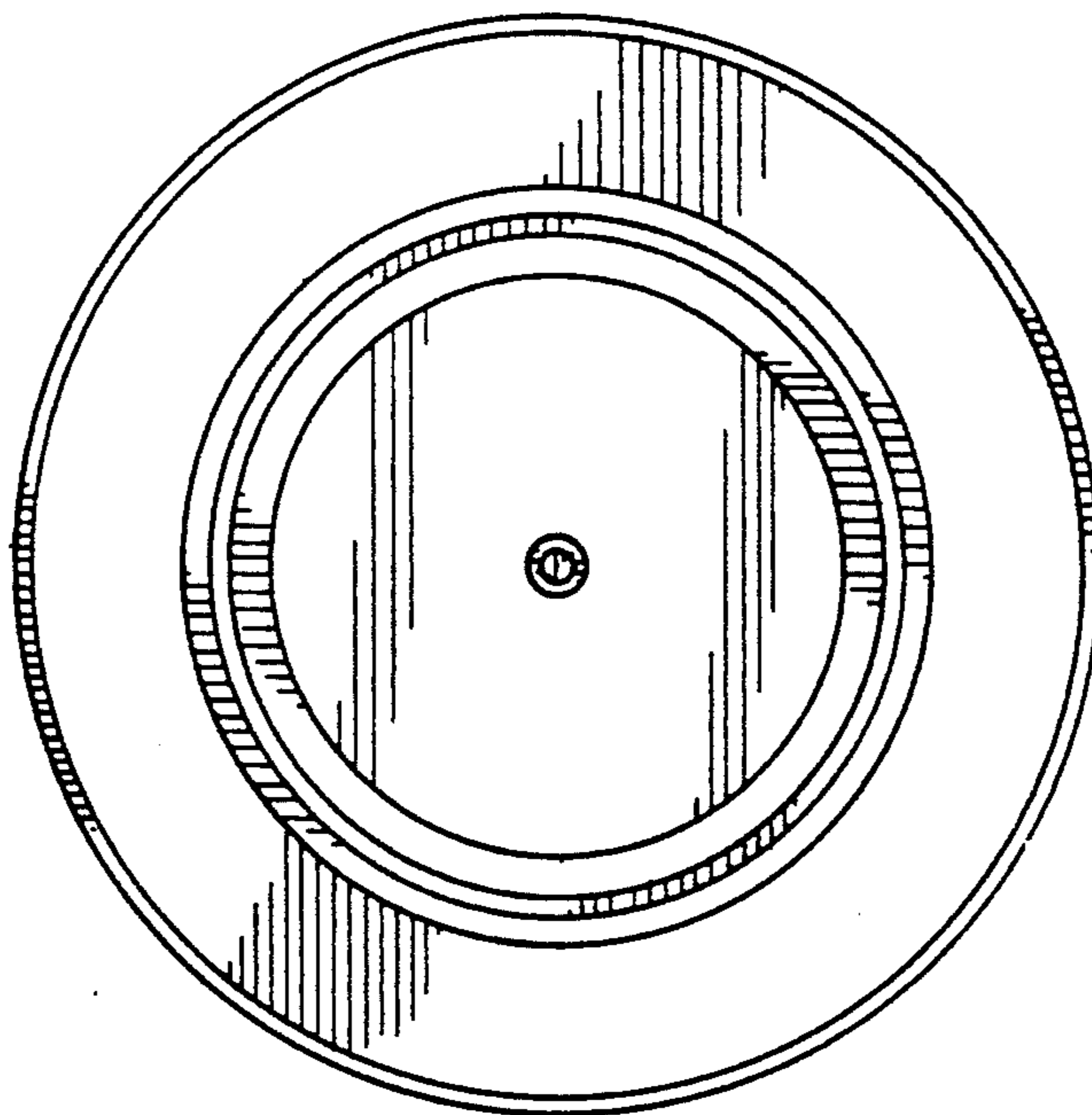


FIG. 7