



US00D342273S

# United States Patent [19]

[11] Patent Number: Des. 342,273

Couch

[45] Date of Patent: \*\* Dec. 14, 1993

[54] LIGHT DIFFUSER FOR ELECTRONIC FLASH

[75] Inventor: Quest Couch, San Antonio, Tex.

[73] Assignee: Quest Productions, Inc., San Antonio, Tex.

[\*\*] Term: 14 Years

[21] Appl. No.: 843,901

[22] Filed: Feb. 27, 1992

[52] U.S. Cl. .... D16/237

[58] Field of Search ..... D16/237, 239, 240; 354/126, 149.1, 149.11; 362/3, 16-18, 359

[56] References Cited

U.S. PATENT DOCUMENTS

D. 189,726	2/1961	Cunningham, Jr. ....	D16/237
D. 249,798	10/1978	Tureck et al. ....	D16/239
4,109,301	8/1978	Wakimura et al. ....	362/16
4,446,506	5/1984	Larson ....	362/17
4,757,425	7/1988	Waltz ....	362/18
5,154,503	10/1992	Sternsher ....	362/16

Primary Examiner—Bernard Ansher

Assistant Examiner—Adir Aronovich  
Attorney, Agent, or Firm—Cox & Smith Incorporated

[57] CLAIM

The ornamental design for a light diffuser for electronic flash, as shown and described.

DESCRIPTION

FIG. 1 is a rear perspective view of a light diffuser for an electronic flash showing my new design in a ready to mount condition;

FIG. 2 is a front elevational view thereof;

FIG. 3 is a rear elevational view thereof;

FIG. 4 is a bottom plan view thereof;

FIG. 5 is a top plan view thereof;

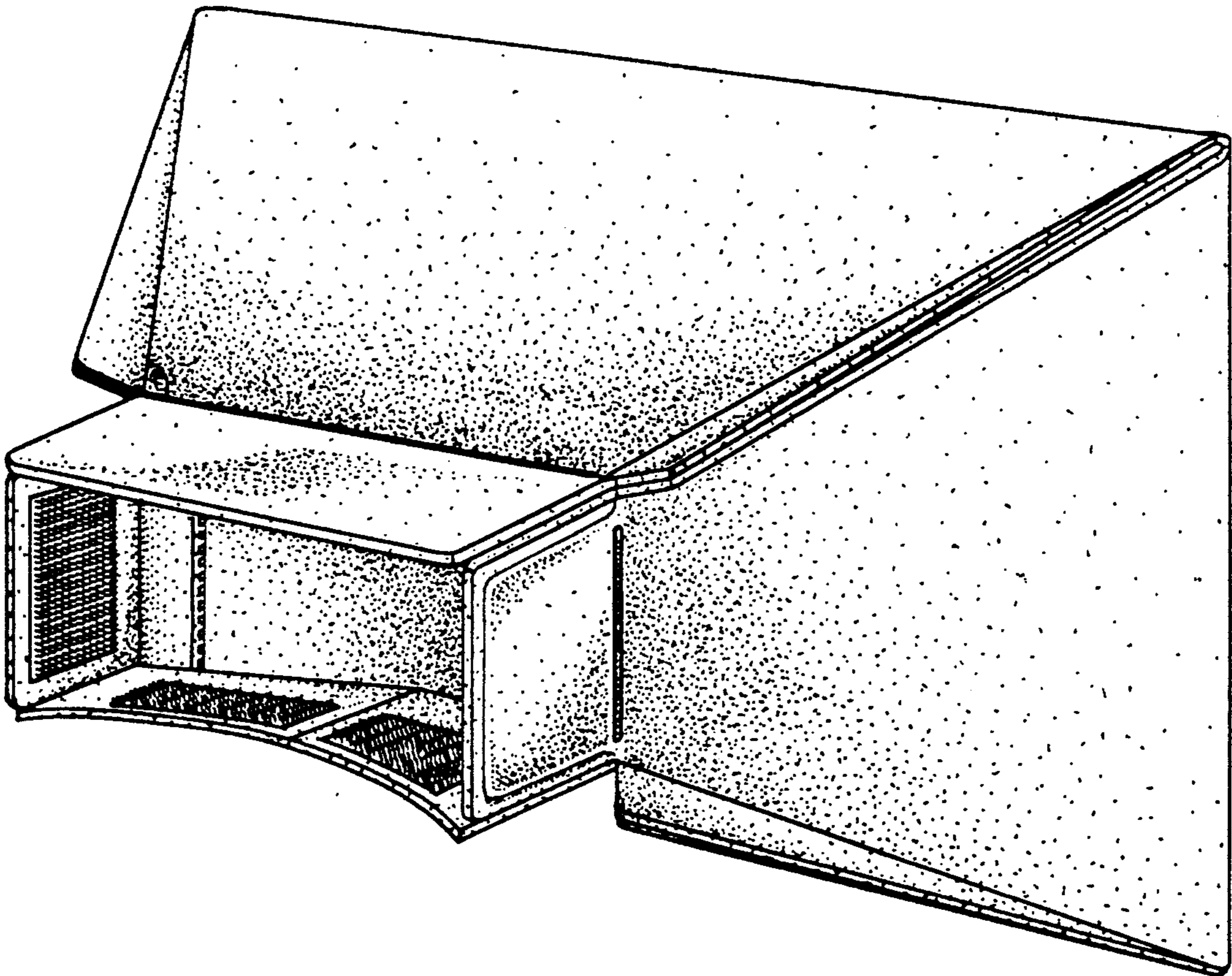
FIG. 6 is a right side elevational view thereof;

FIG. 7 is a left side elevational view thereof;

FIG. 8 is a rear perspective view thereof with the light diffuser mounted on an electronic flash; and,

FIG. 9 is a front perspective view thereof, in a fully assembled condition.

The broken line showing of the electronic flash unit is for illustrative purposes only and forms no part of the claimed design.



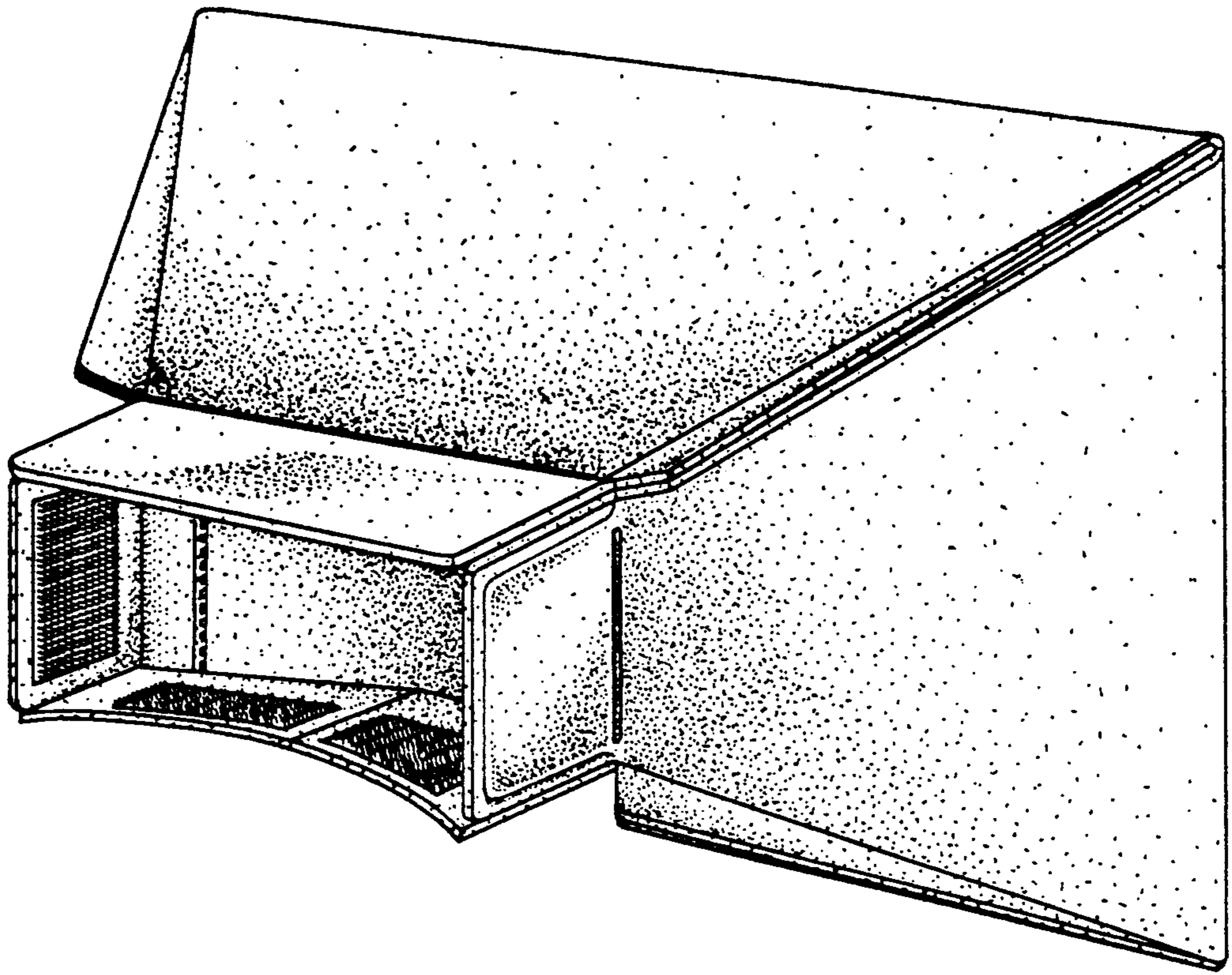


Fig. 1

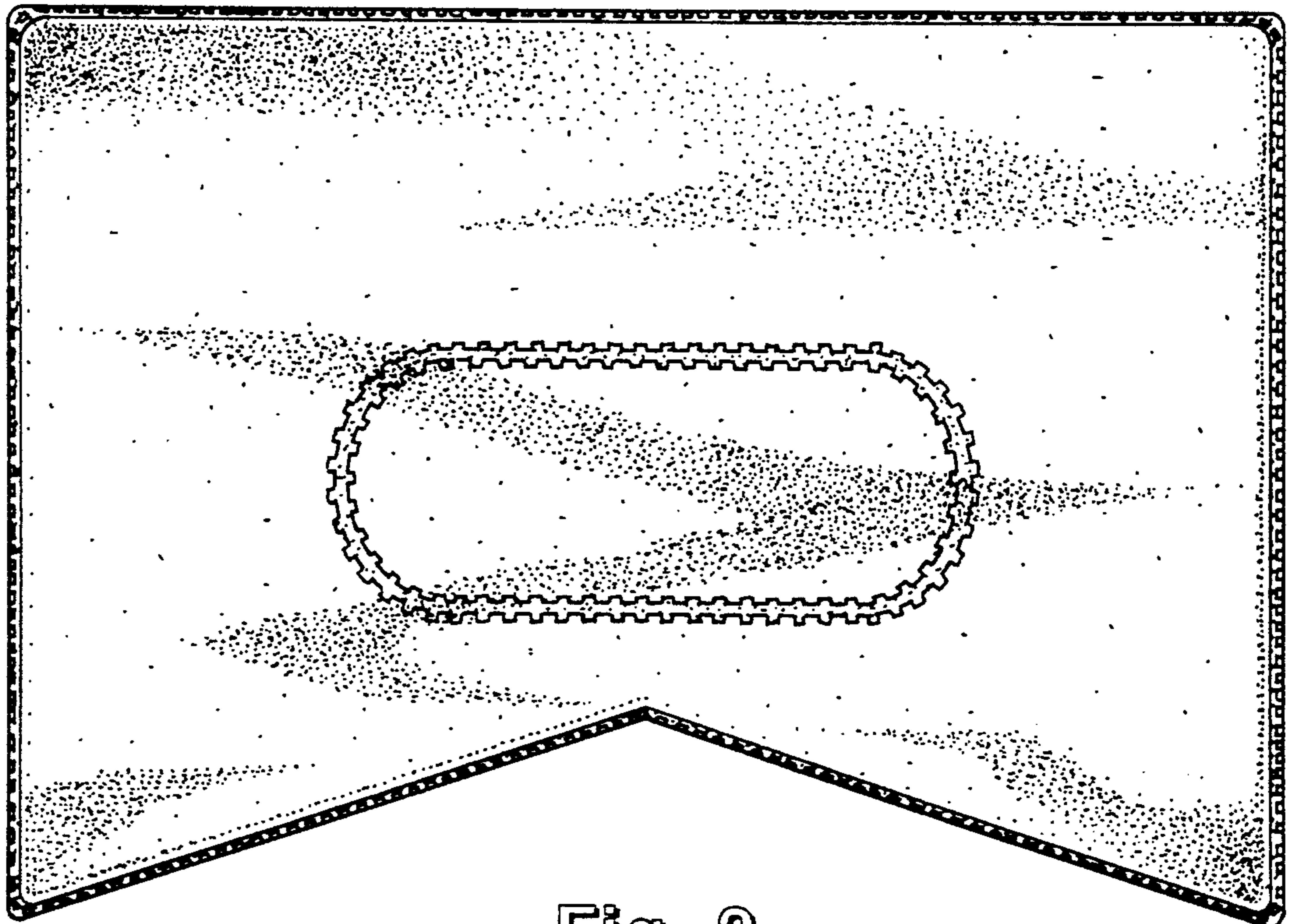


Fig. 2

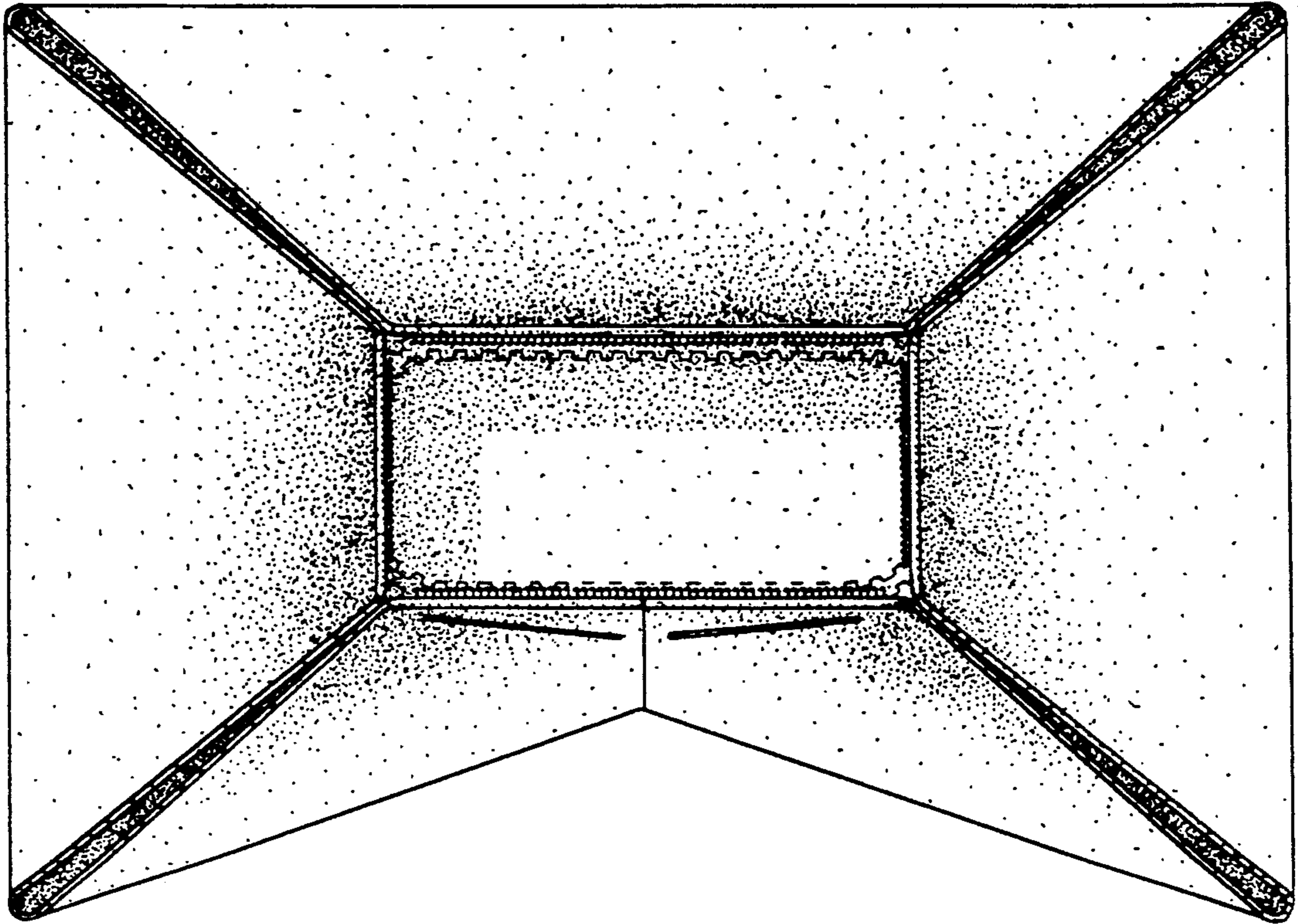


Fig. 3

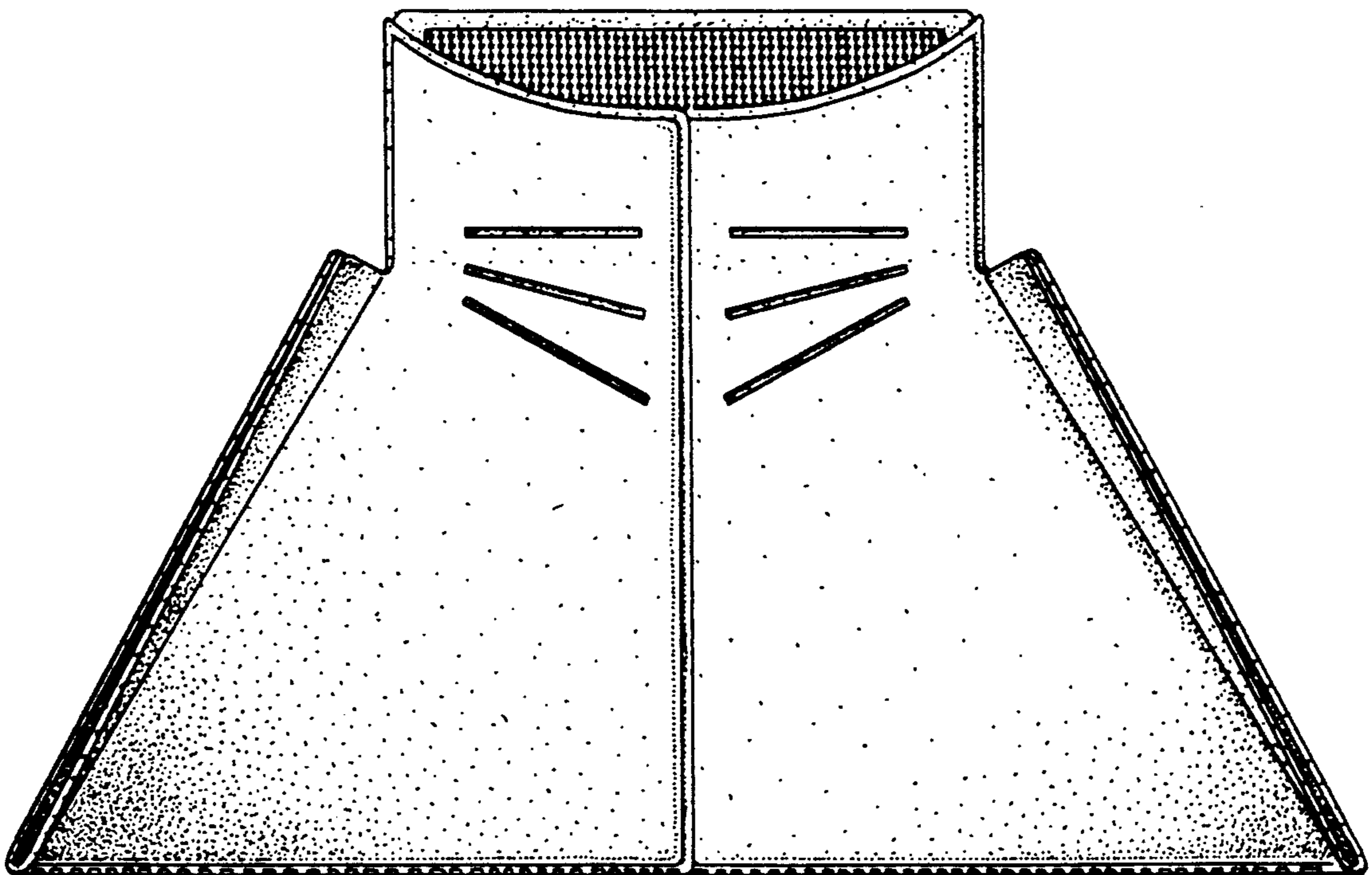


Fig. 4

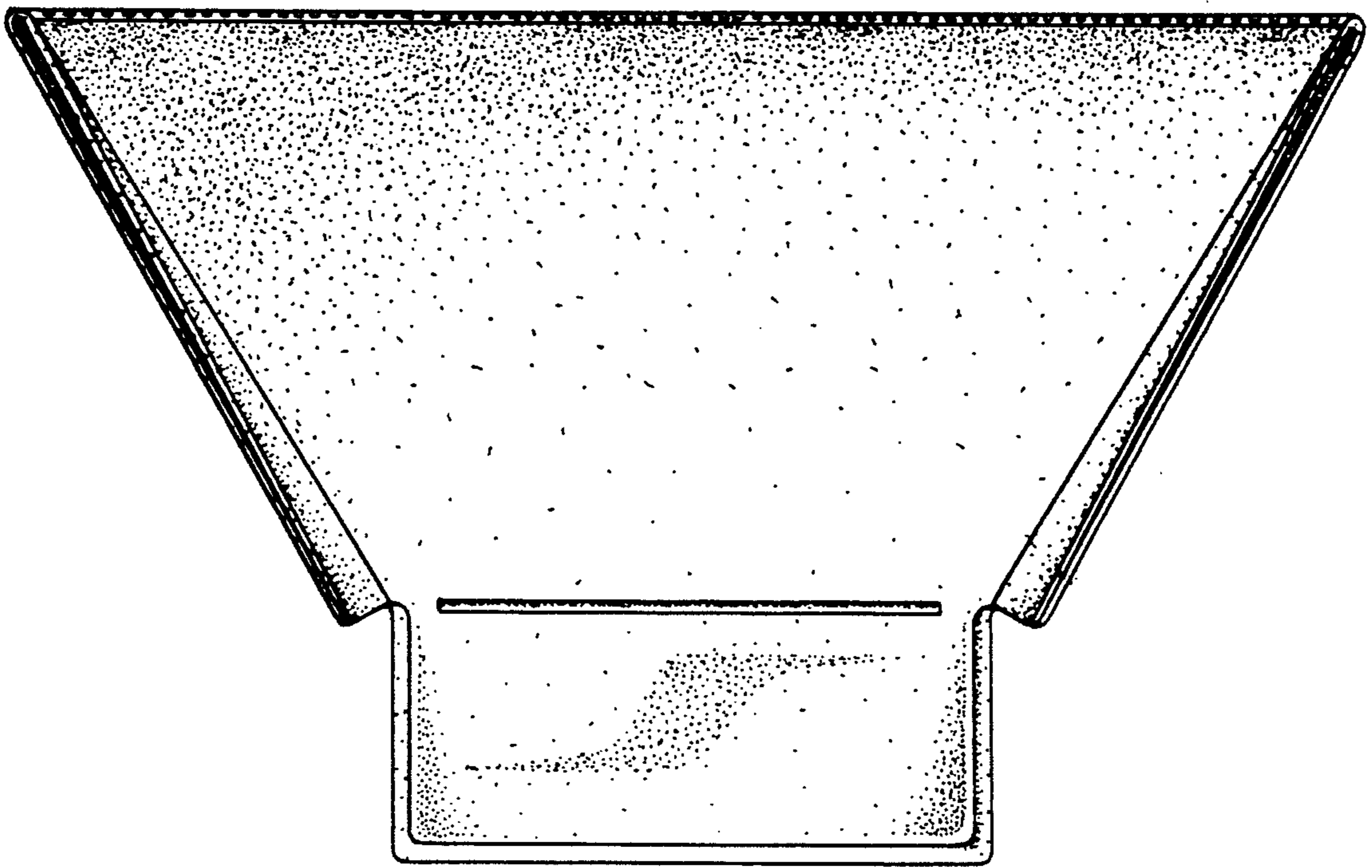


Fig. 5

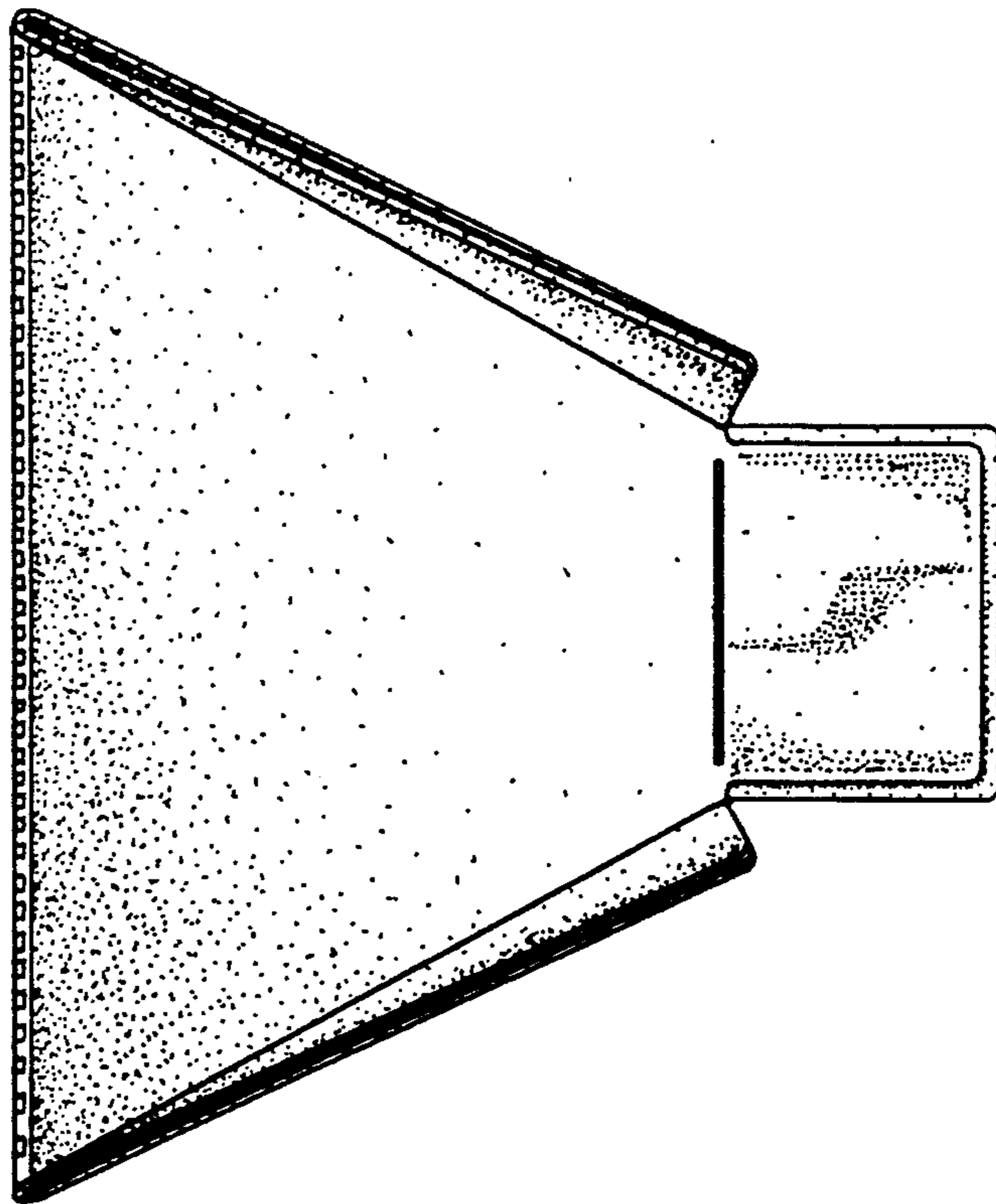


Fig. 6

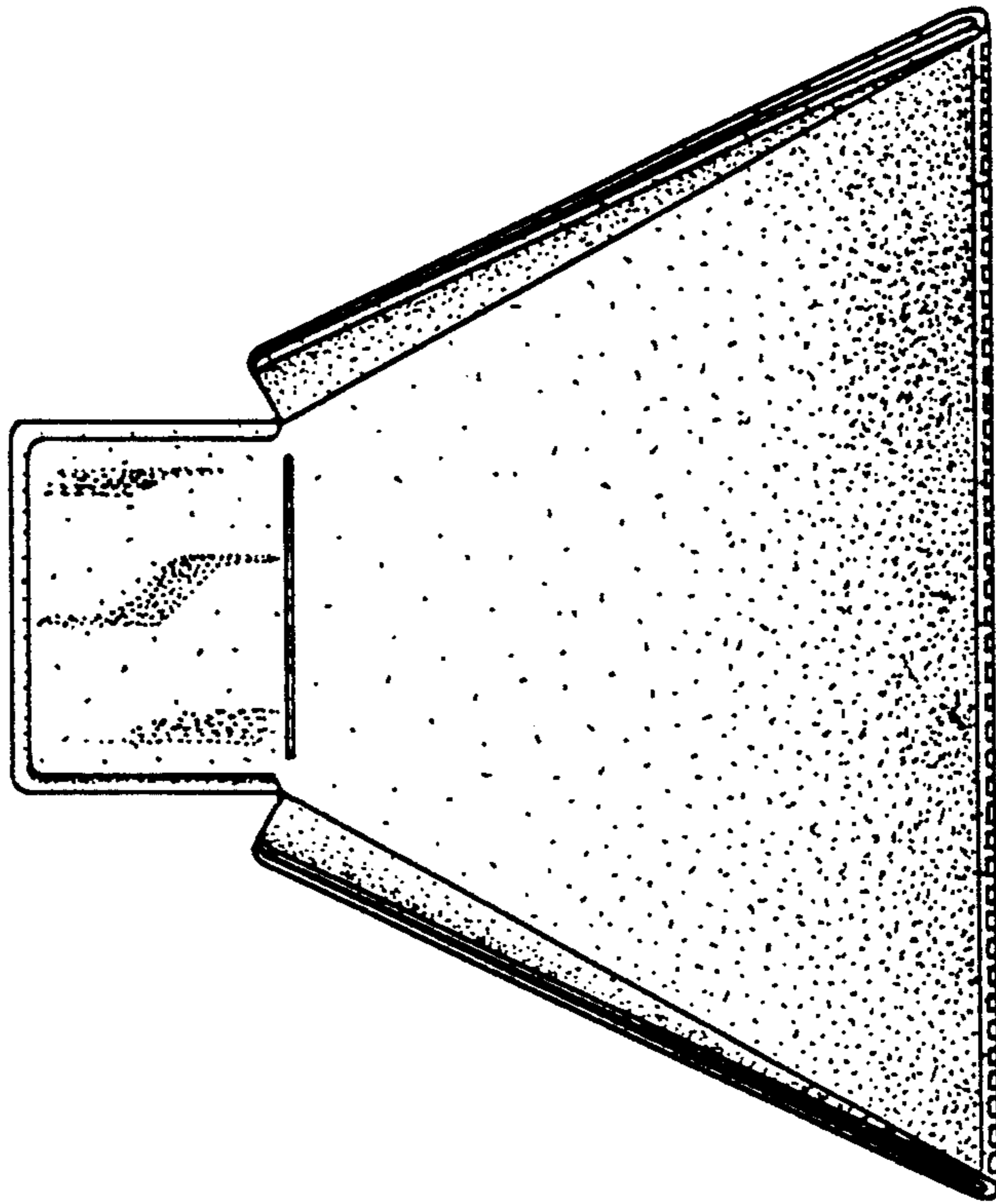


Fig. 7

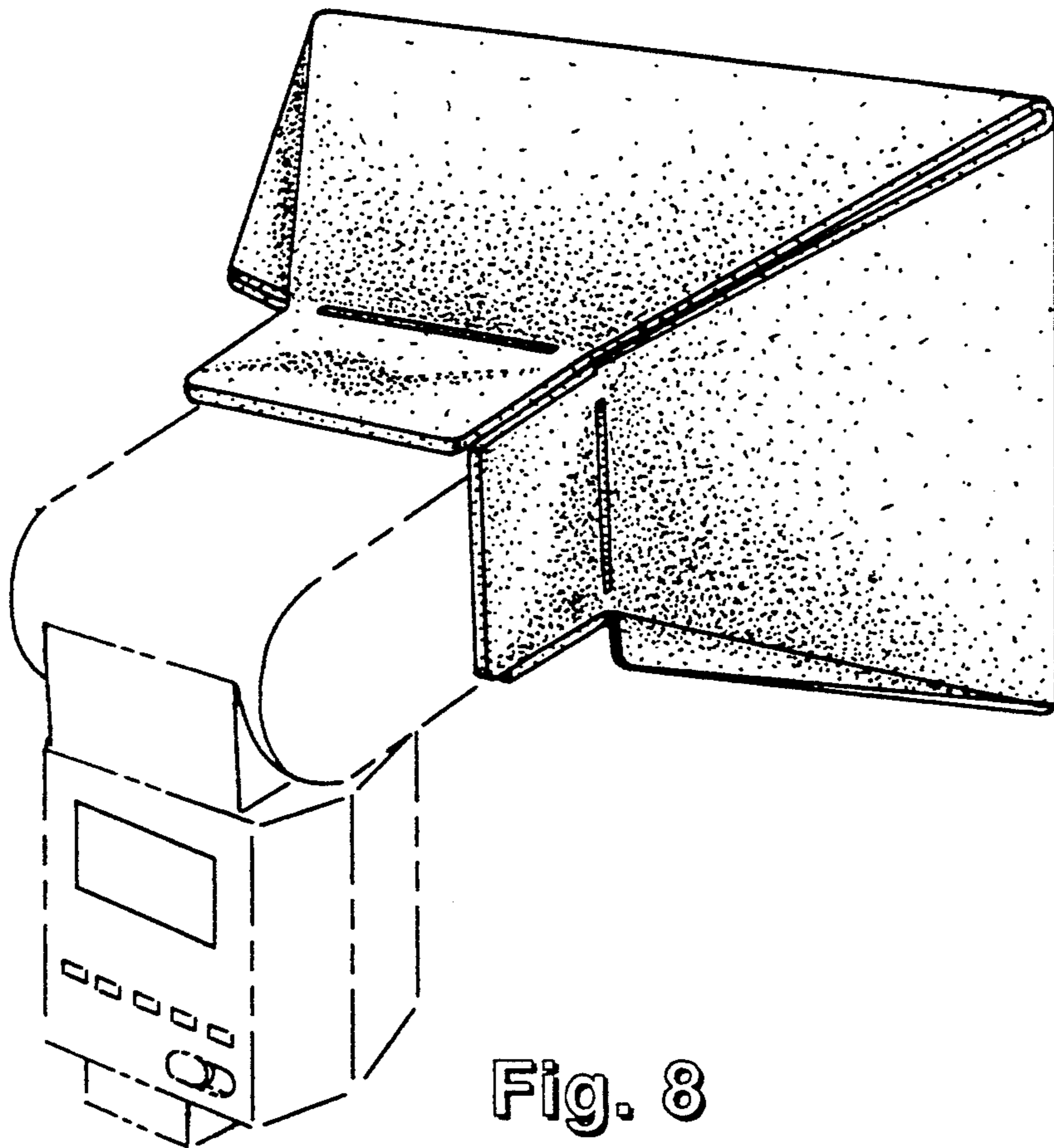


Fig. 8

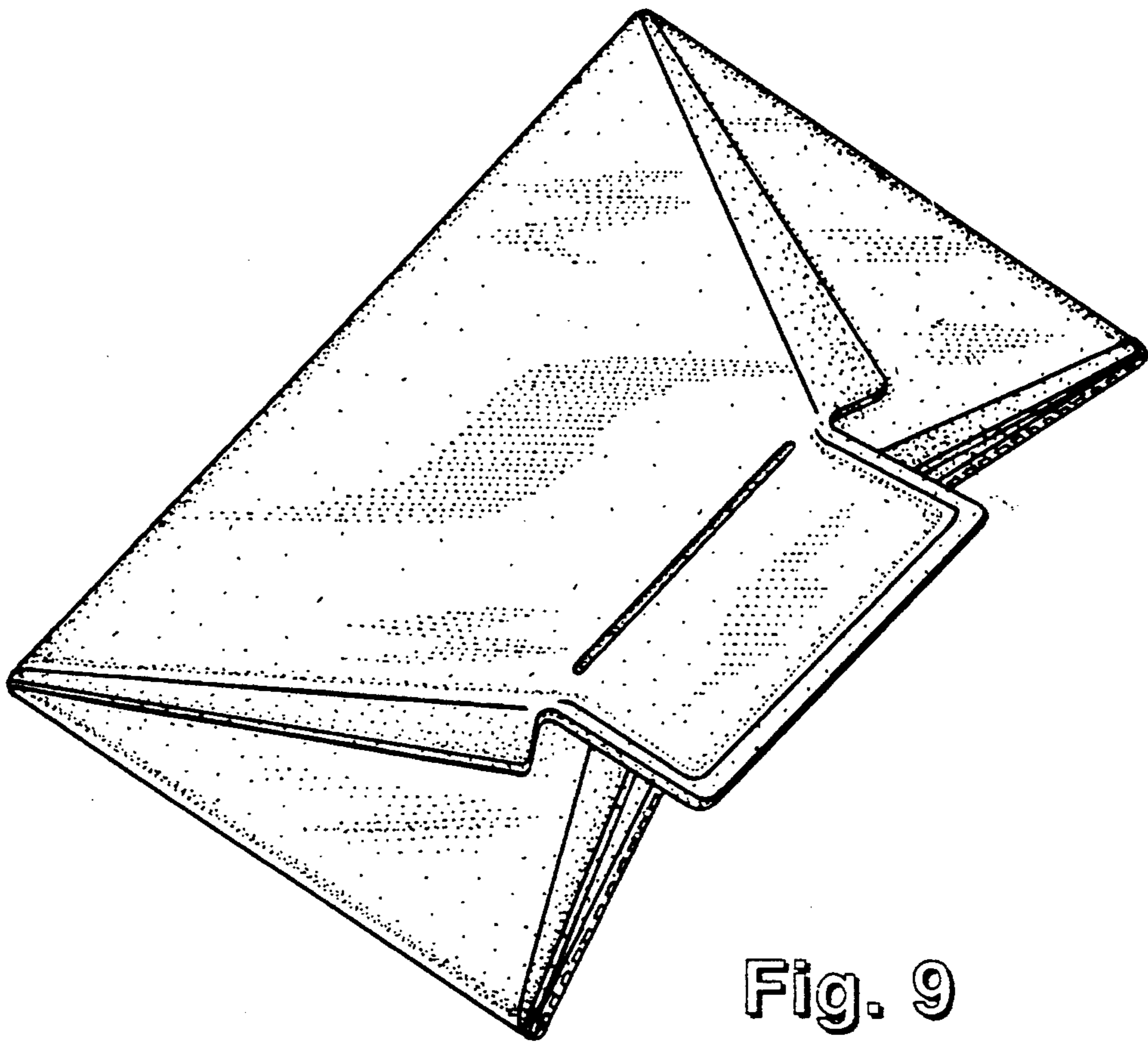


Fig. 9