



US00D342272S

United States Patent [19]

[11] Patent Number: **Des. 342,272**

Saito et al.

[45] Date of Patent: **** Dec. 14, 1993**

[54] **COMBINED CAMERA AND IMAGE RECEPTOR**

[75] Inventors: **Tomitaro Saito; Koji Sataka**, both of Tochigi, Japan

[73] Assignee: **Sharp Kabushiki Kaisha**, Osaka, Japan

[**] Term: **14 Years**

[21] Appl. No.: **687,409**

[22] Filed: **Apr. 18, 1991**

[52] U.S. Cl. **D16/208; D16/221**

[58] Field of Search **D16/221, 232, 233, 229, D16/225, 214; 353/61, 66, 119, 122, DIG, 3, DIG. 4; 355/64, 65; 354/290**

3,115,058	12/1963	Wally, Jr.	355/65
3,402,636	9/1968	Gemmer et al.	355/64
4,783,686	11/1988	Ishii et al.	355/64
4,825,295	4/1989	Ishikawa et al.	35/290

Primary Examiner—Melvin B. Feifer
Assistant Examiner—Adir Aronovich
Attorney, Agent, or Firm—Nixon & Vanderhye

[57] **CLAIM**

The ornamental design for a combined camera and image receptor, as shown and described.

DESCRIPTION

FIG. 1 is a right side elevational view of a combined camera and image receptor showing our new design, a left side view being a mirror-image thereof; FIG. 2 is a rear elevational view thereof; FIG. 3 is a front elevational view thereof; FIG. 4 is a top plan view thereof; FIG. 5 is a bottom plan view thereof; FIG. 6 is a top, front and right side perspective view thereof; and, FIG. 7 is a top, rear and right side perspective view thereof.

[56] **References Cited**

U.S. PATENT DOCUMENTS

D. 223,216	3/1972	Saito et al.	D18/36
D. 250,028	10/1978	Kajiwara et al.	D16/214
D. 308,222	5/1990	Sano et al.	D18/36
D. 327,672	7/1992	Iimura	D14/107
D. 332,273	1/1993	Maliszewski et al.	D16/223

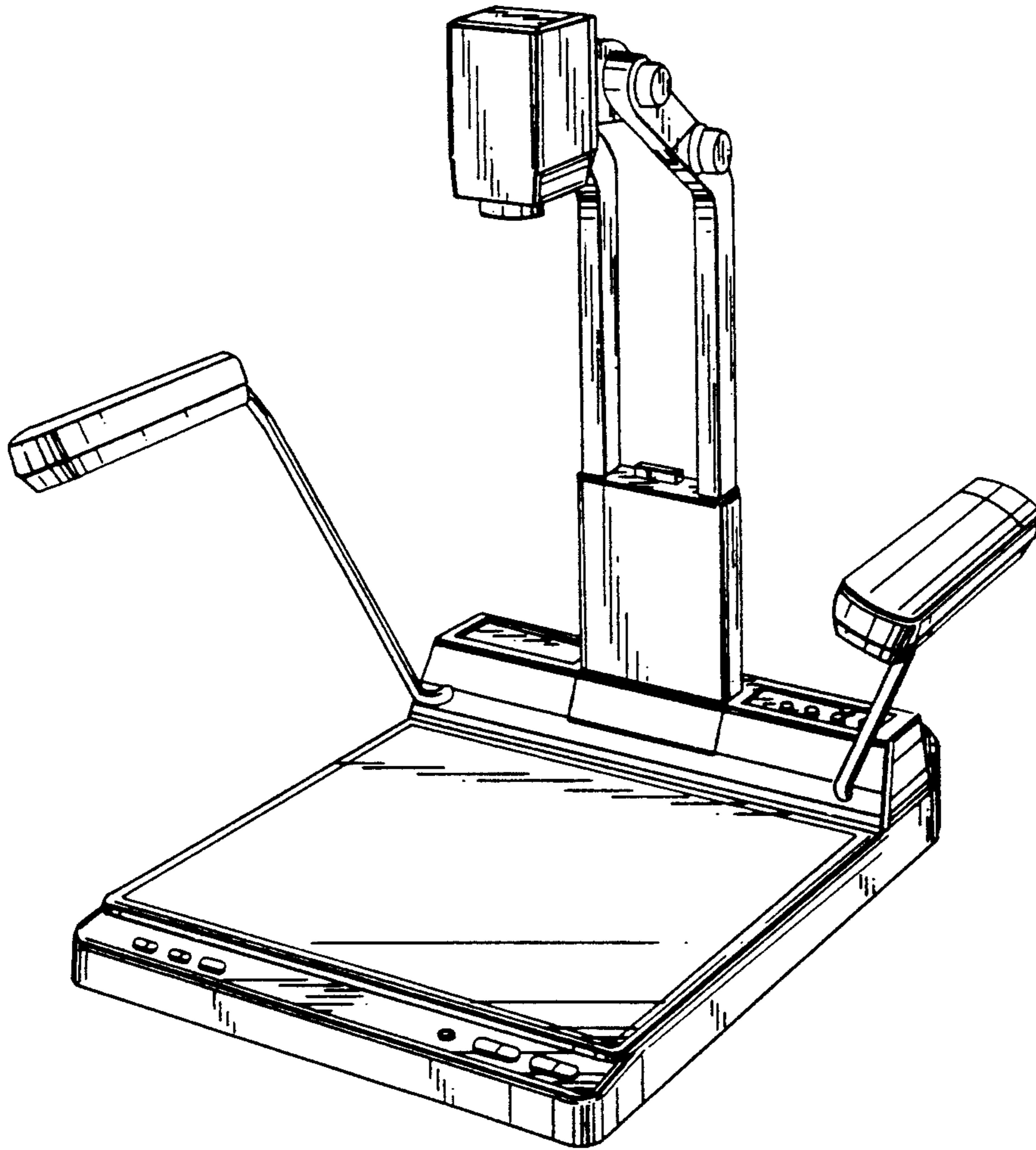


FIG. 1

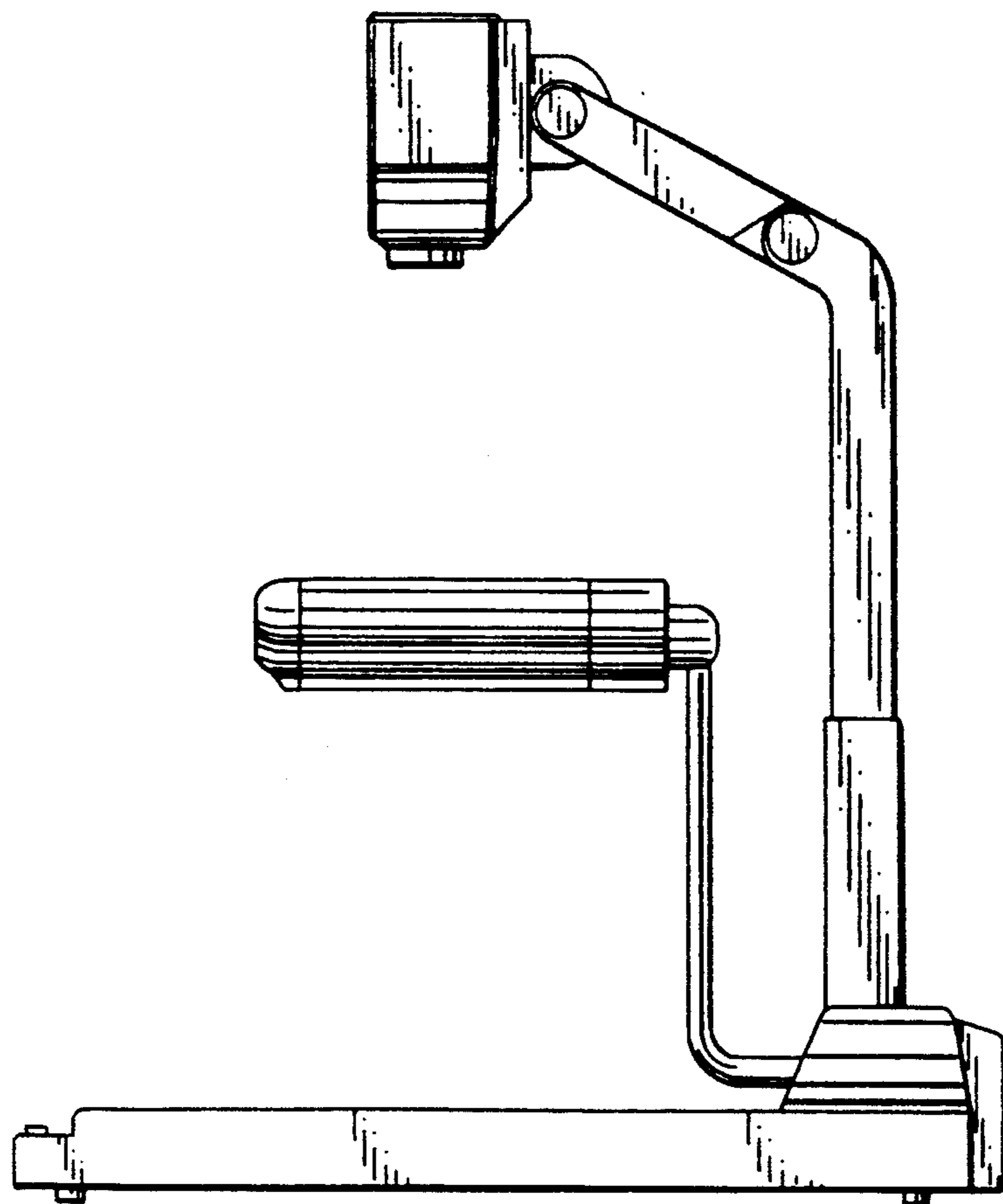


FIG. 2

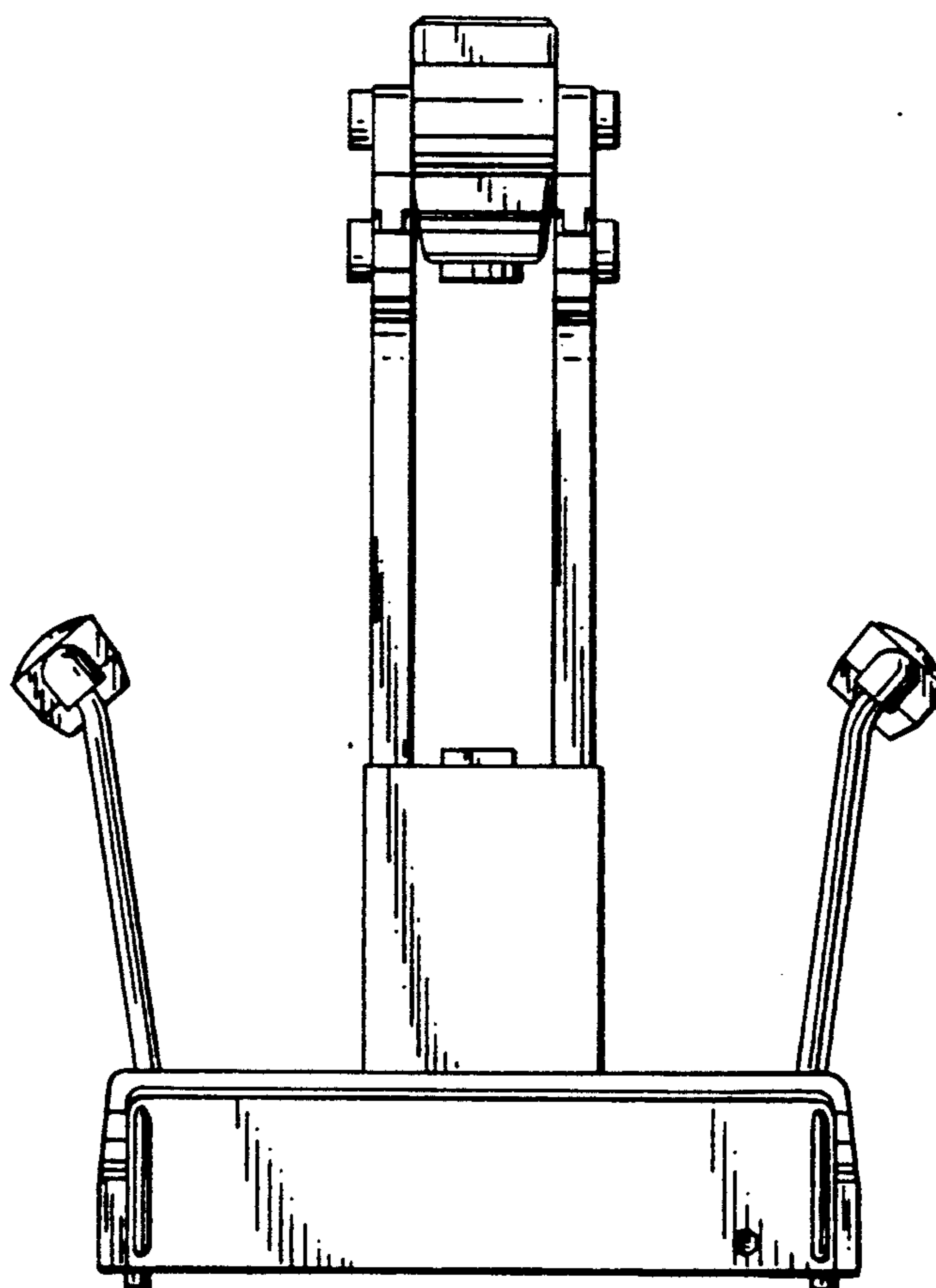


FIG. 3

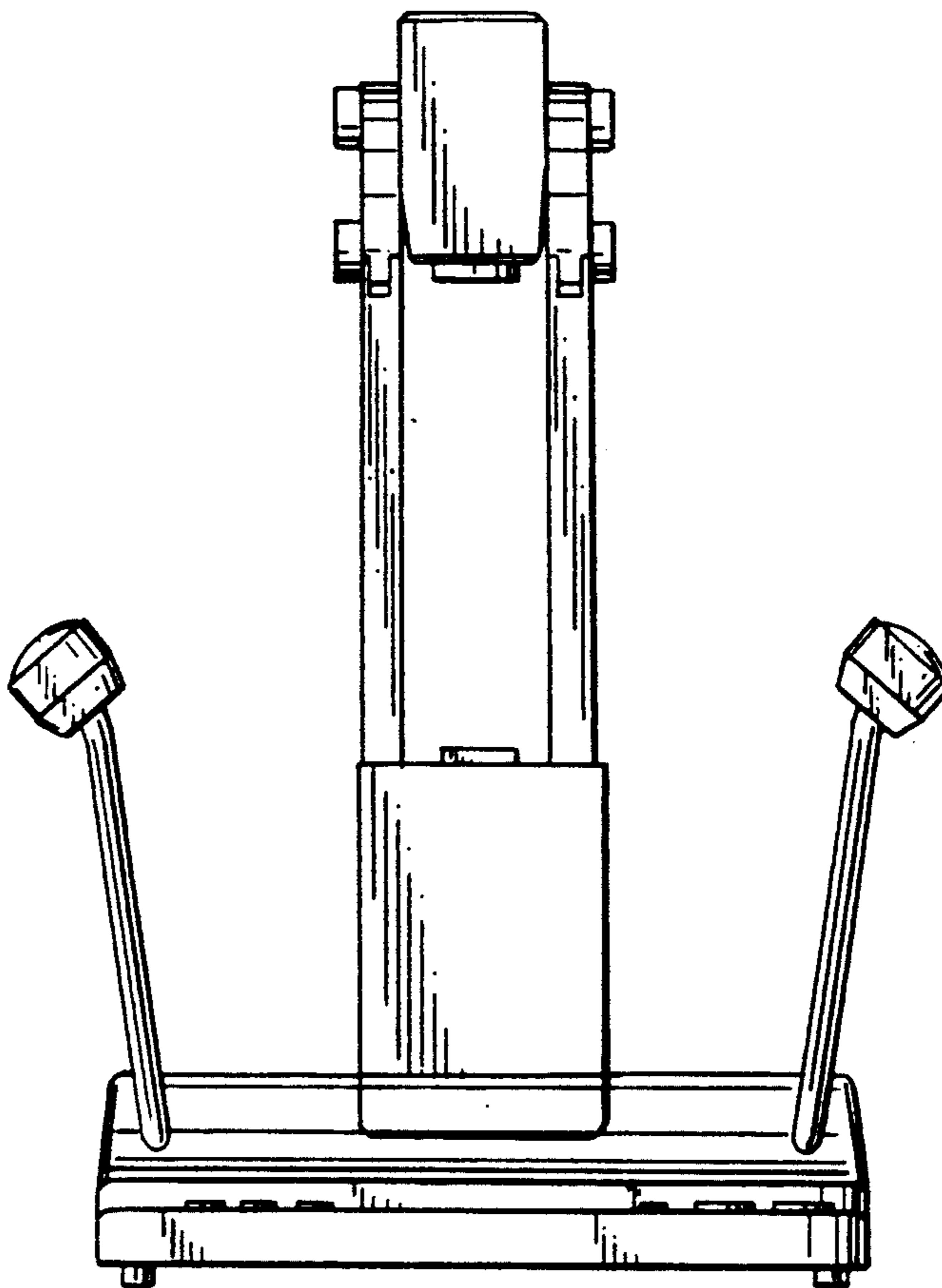


FIG. 4

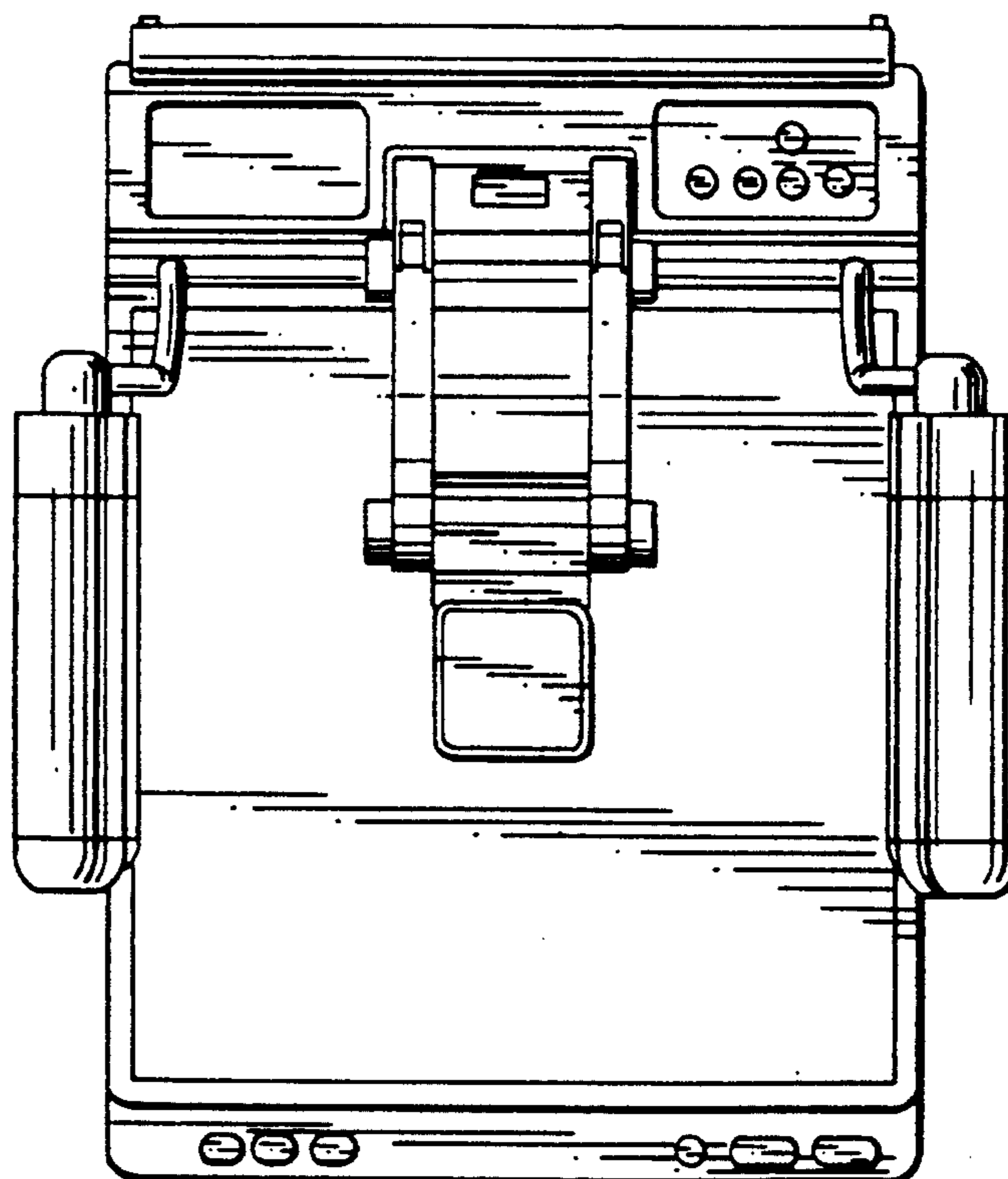


FIG. 5

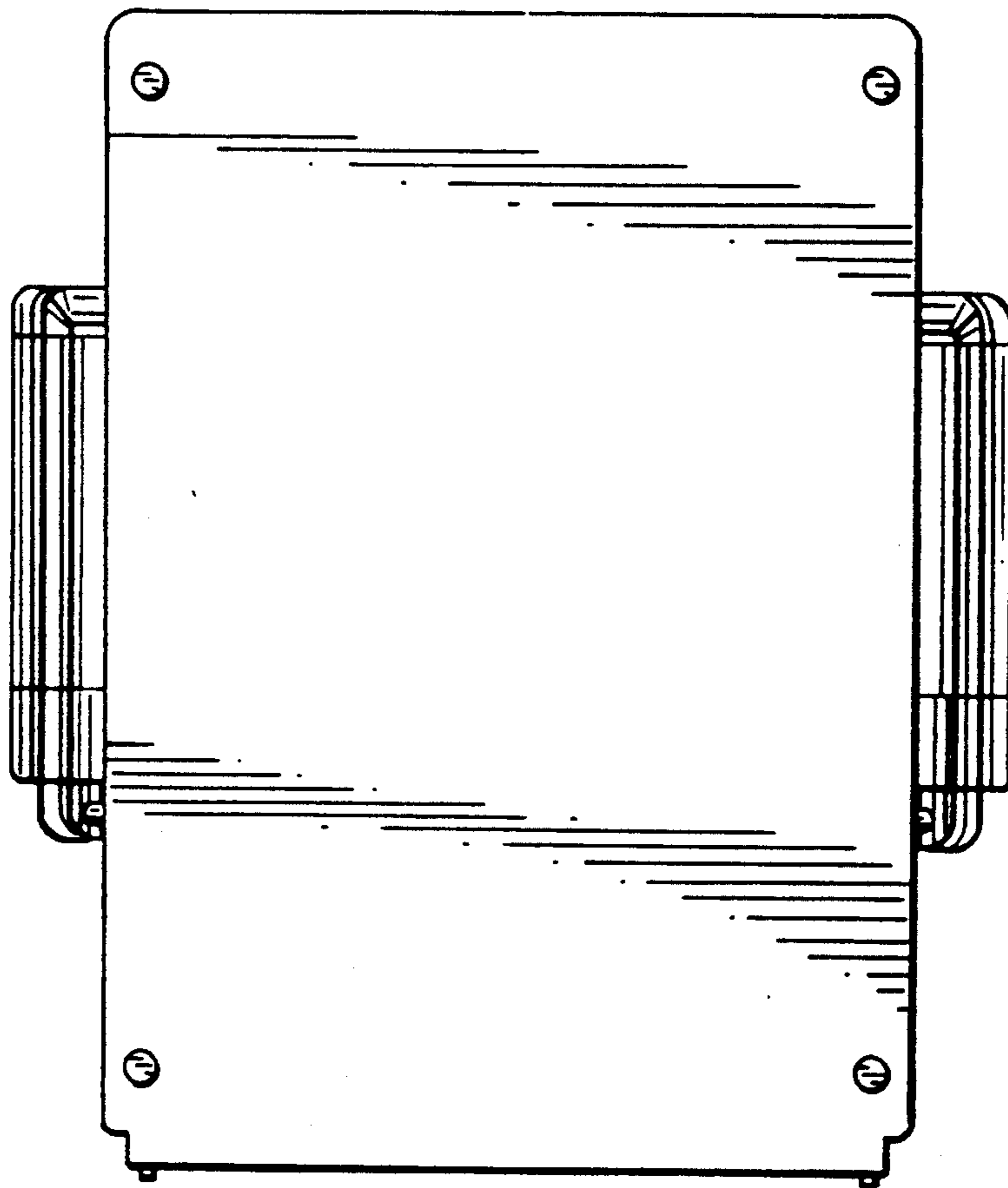


FIG. 6

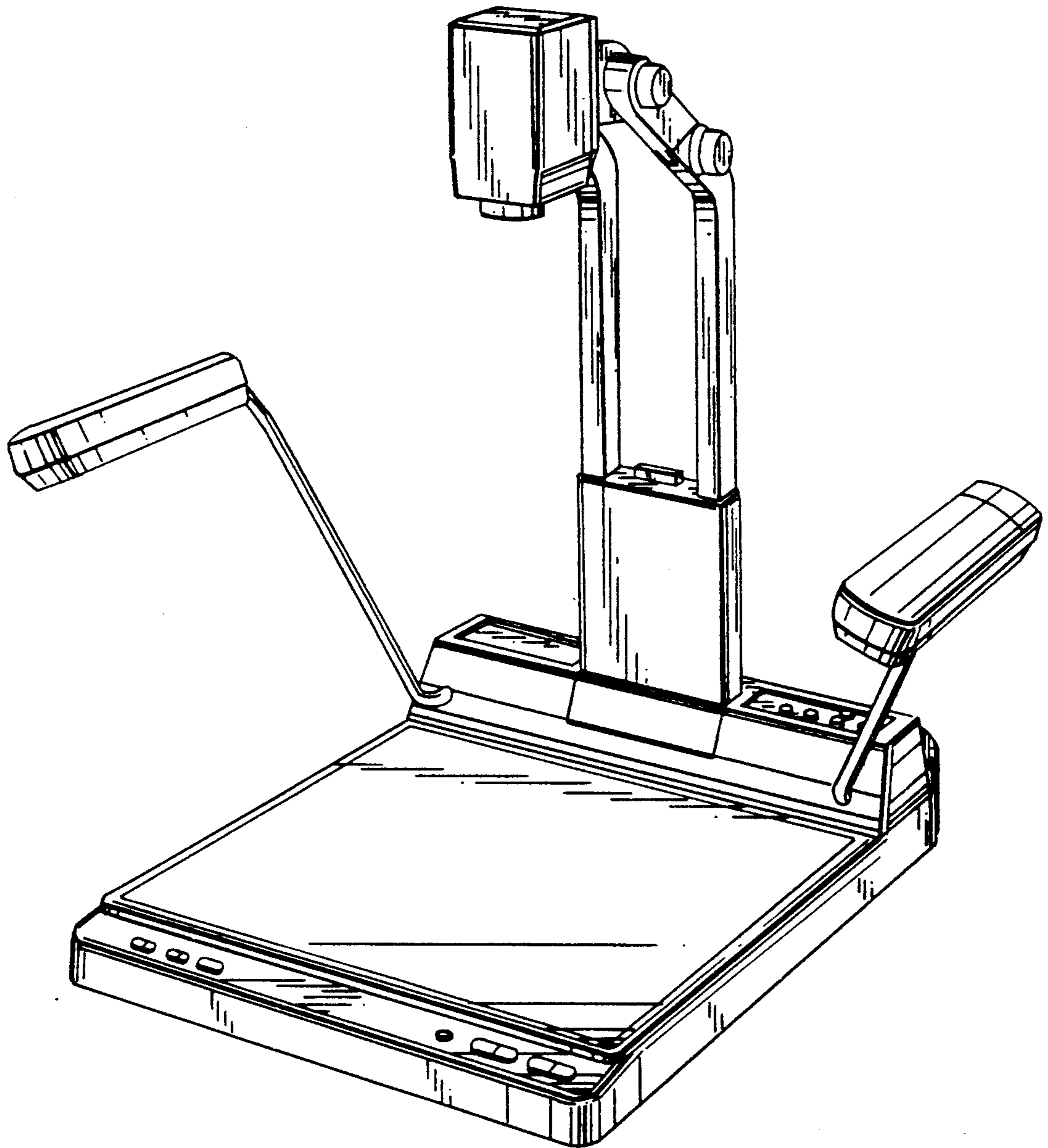


FIG. 7

