



US00D342271S

United States Patent [19]
Keng

[11] **Patent Number: Des. 342,271**

[45] **Date of Patent: ** Dec. 14, 1993**

[54] **PERSONAL LAMINATOR**

4,941,310 7/1990 Kristen 53/512

[76] **Inventor: Leigh L. Keng, 1690 Wingard Dr., Marietta, Ga. 30062**

Primary Examiner—Alan P. Douglas
Assistant Examiner—Antoine D. Davis
Attorney, Agent, or Firm—James B. Middleton

[**] **Term: 14 Years**

[57] **CLAIM**

[21] **Appl. No.: 900,253**

The new design for a personal laminator, as shown.

[22] **Filed: Jun. 17, 1992**

DESCRIPTION

[52] **U.S. Cl. D15/146**

[58] **Field of Search D15/146; 53/432, 434, 53/510, 512; 156/583.8, 583.9**

FIG. 1 is a perspective view showing the front, right and top of a personal laminator embodying my new design;

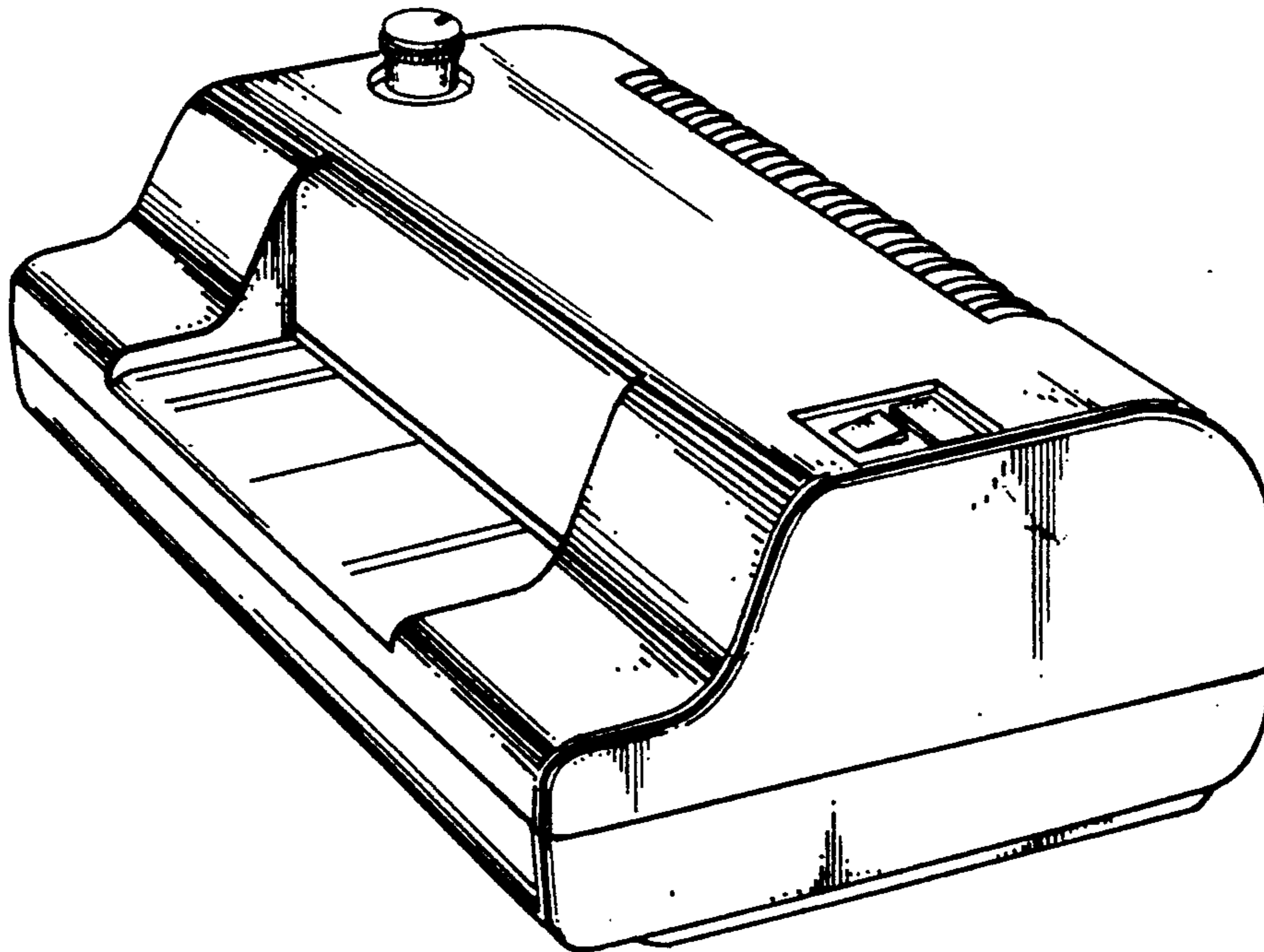
[56] **References Cited**

FIG. 2 is a perspective view showing the rear, right and top thereof;

U.S. PATENT DOCUMENTS

D. 306,303 2/1990 Takeda D15/146 X

FIG. 3 is a rear elevational view thereof; and, FIG. 4 is a bottom plan view thereof.



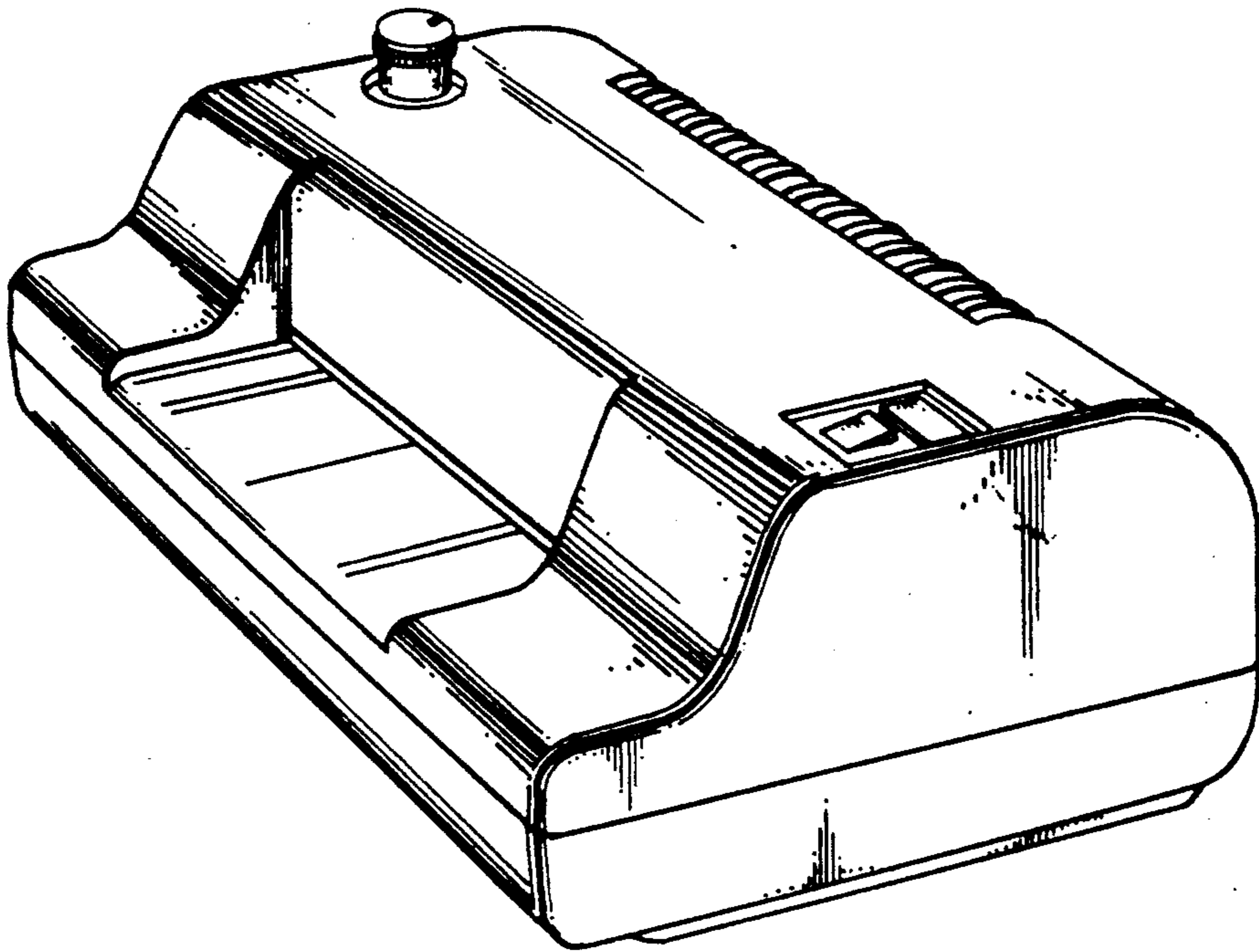


Fig. 1

Fig. 2

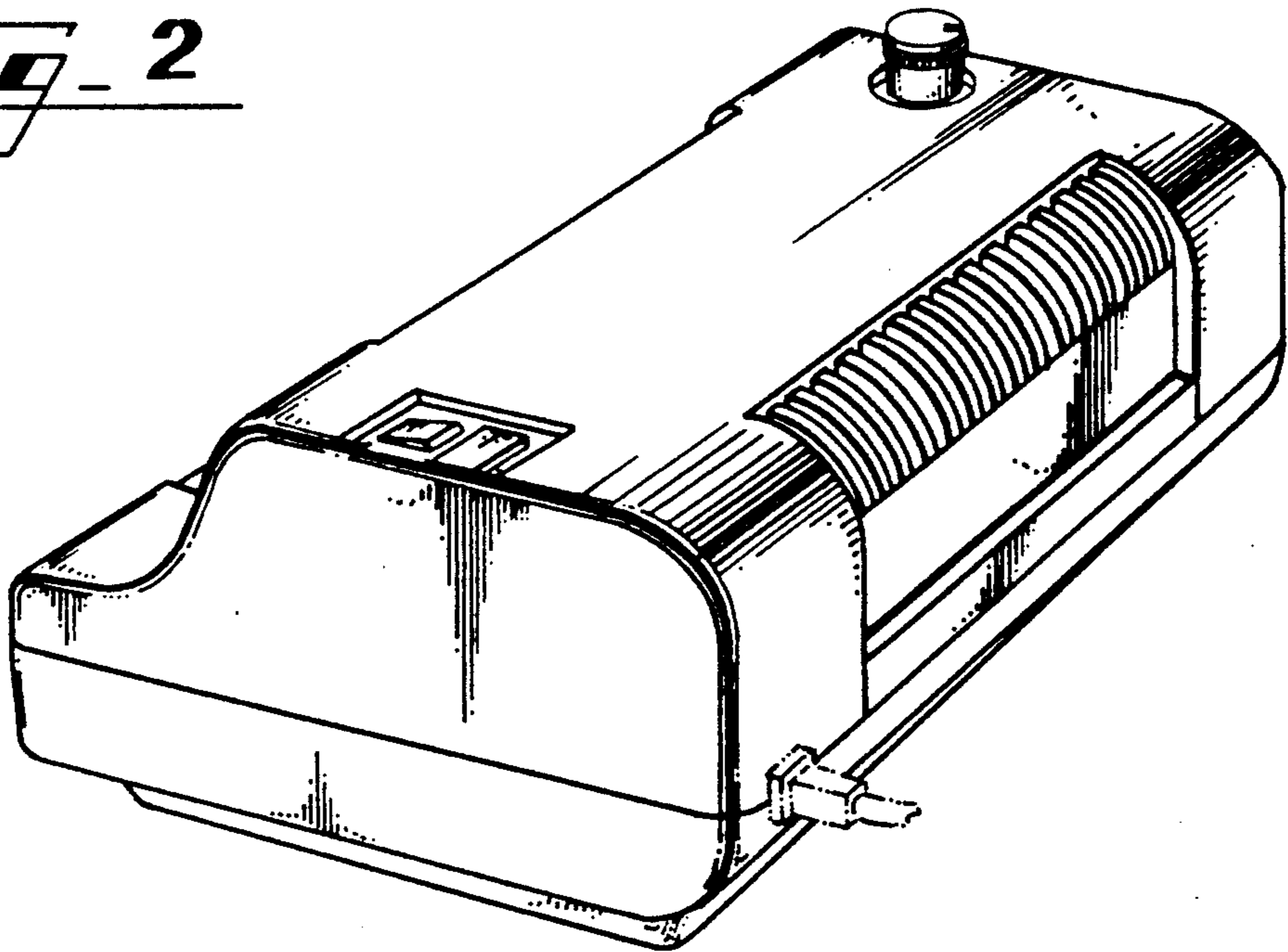


Fig. 3

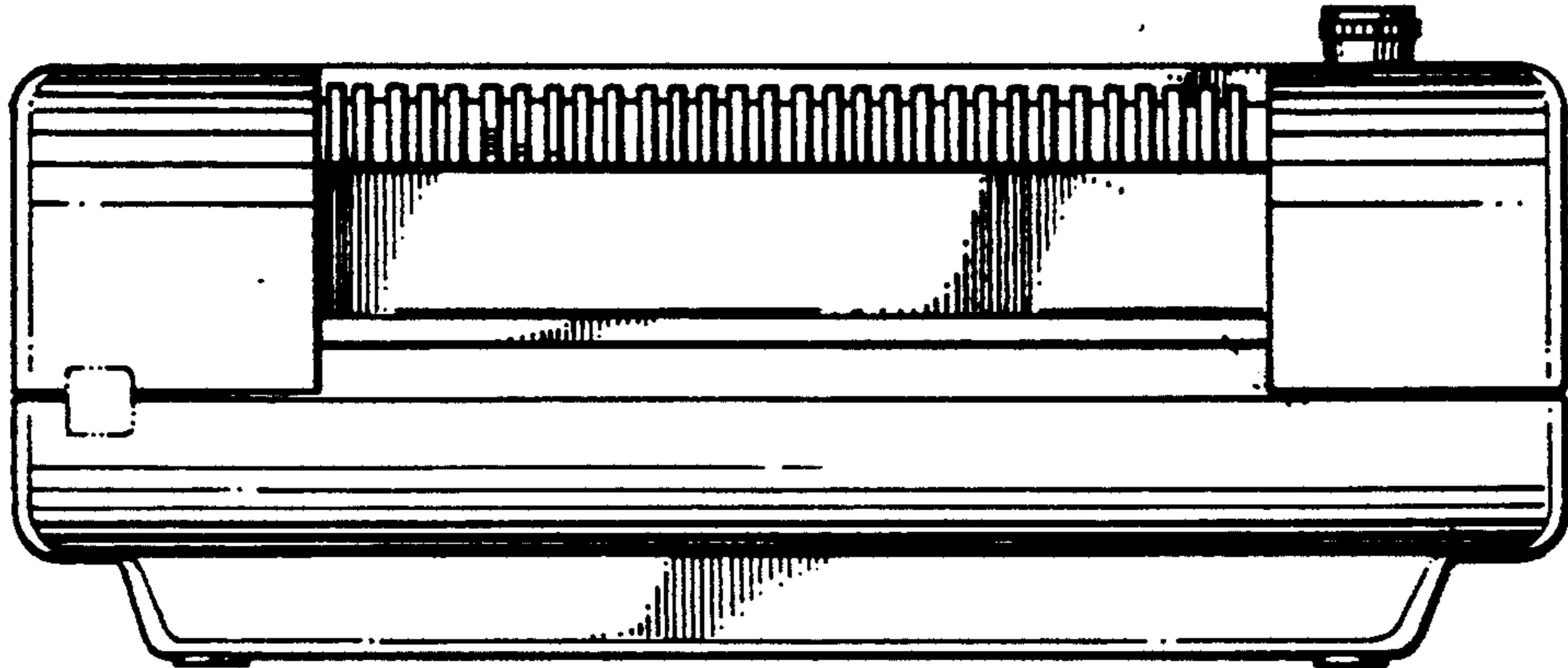


Fig. 4

