



US00D342269S

United States Patent [19]

[11] Patent Number: **Des. 342,269**

Arai et al.

[45] Date of Patent: **** Dec. 14, 1993**

[54] **CUTTER INSERT**

5,207,538 5/1993 Satran 407/116 X

[75] Inventors: **Tatsuo Arai; Takayoshi Saito**, both of Ibaraki, Japan

Primary Examiner—Alan P. Douglas
Assistant Examiner—Antoine D. Davis
Attorney, Agent, or Firm—Cushman Darby & Cushman

[73] Assignee: **Mitsubishi Materials Corporation**, Tokyo, Japan

[57] **CLAIM**

[**] Term: **14 Years**

The ornamental design for a cutter insert, as shown and described.

[21] Appl. No.: **921,290**

DESCRIPTION

[22] Filed: **Jul. 29, 1992**

FIG. 1 is a perspective view of a cutter insert showing our new design;

[30] **Foreign Application Priority Data**

Apr. 22, 1991 [JP] Japan 4-12067

FIG. 2 is a front elevation view thereof;

[52] U.S. Cl. **D15/139**

FIG. 3 is a rear elevation view thereof;

[58] Field of Search **D15/138, 139;**
407/113-117

FIG. 4 is a top plan view thereof;

FIG. 5 is a bottom view thereof;

FIG. 6 is a left side elevation view thereof;

FIG. 7 is a right side elevation view thereof;

FIG. 8 is a cross-sectional view taken along line 8—8 in FIG. 2; and,

FIG. 9 is a cross sectional view taken along line 9—9 in FIG. 2.

[56] **References Cited**

U.S. PATENT DOCUMENTS

4,086,016 4/1978 Goeke 407/116 X
5,007,775 4/1991 Pantzar 407/115 X

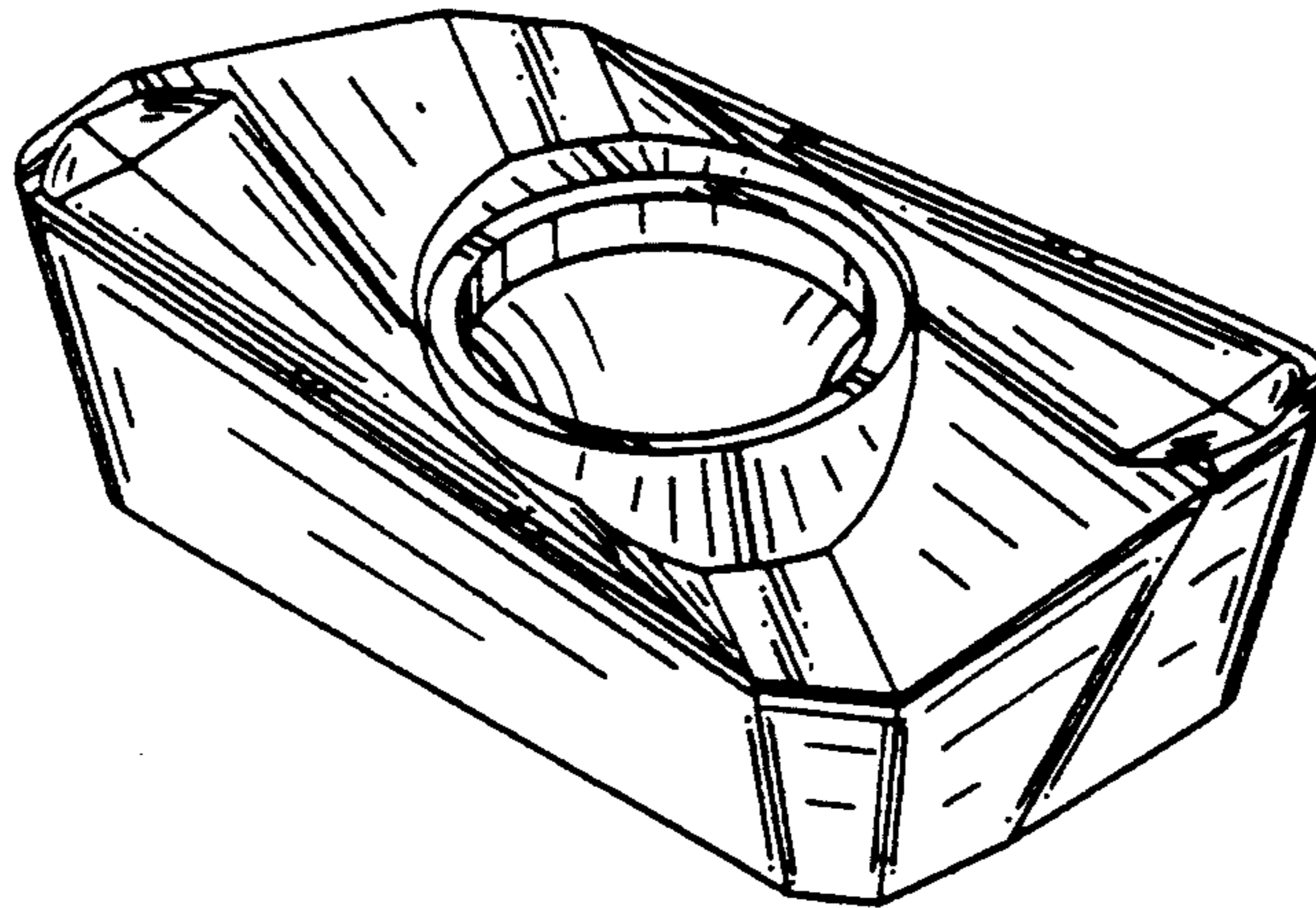


FIG.1

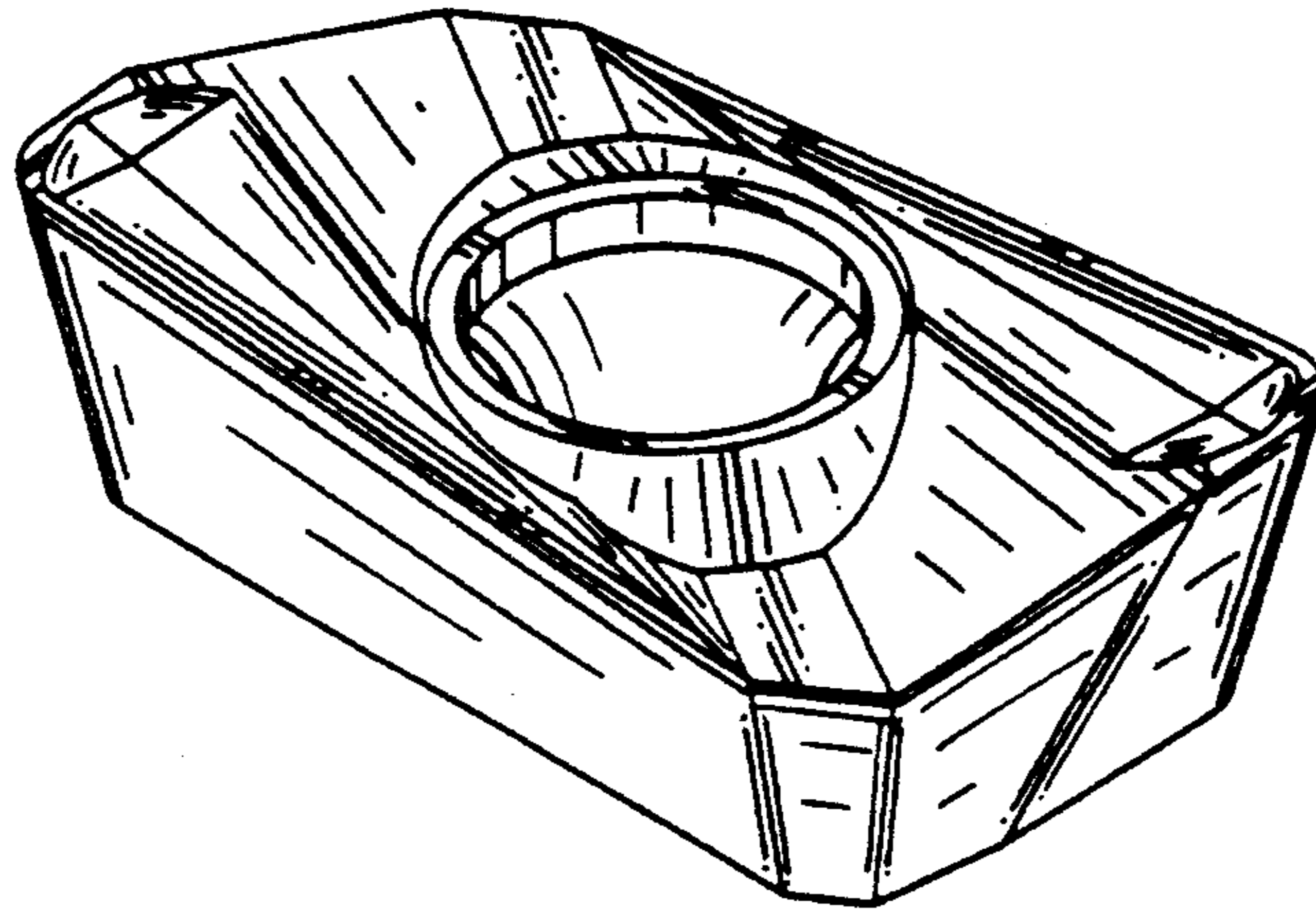


FIG.2

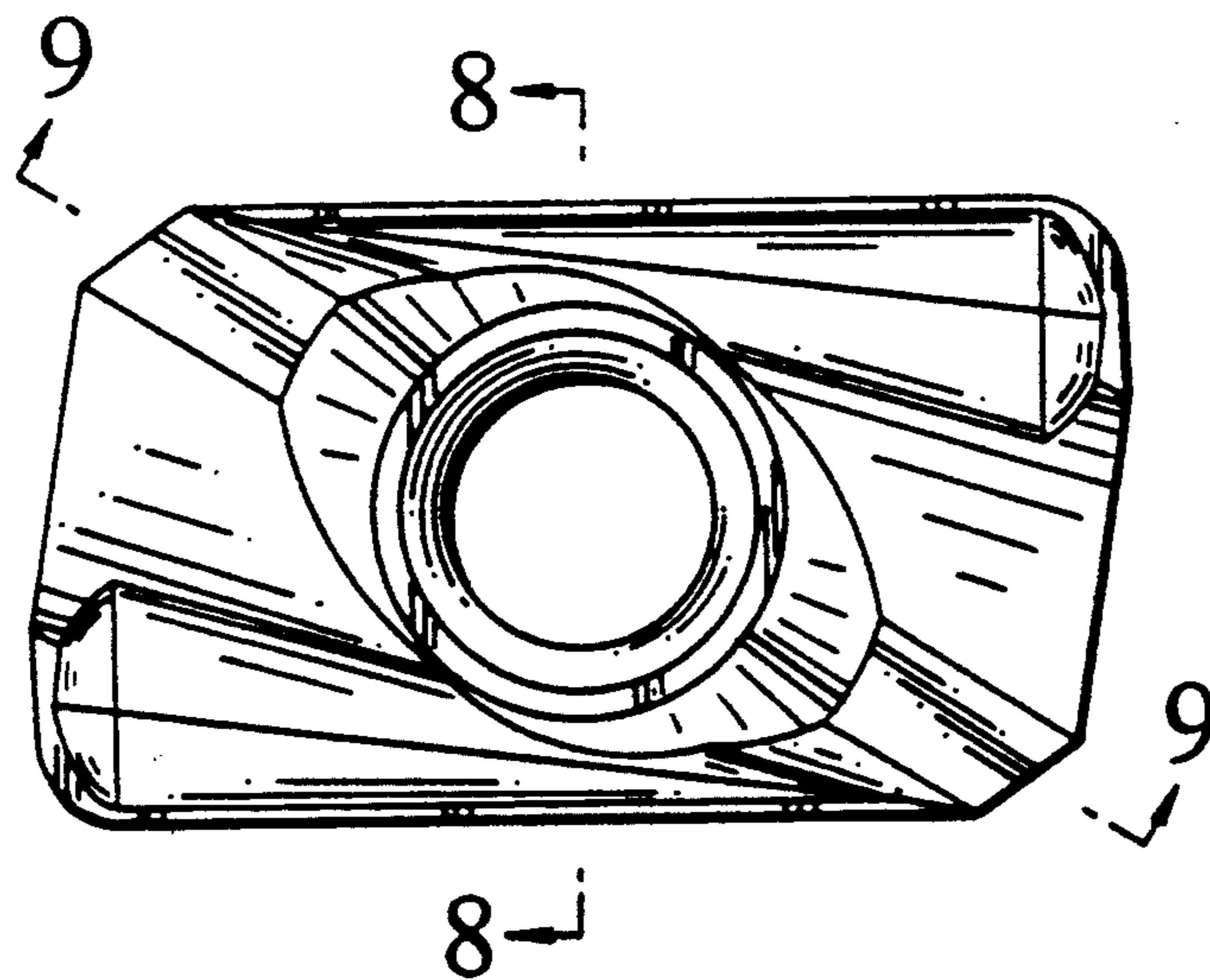


FIG.3

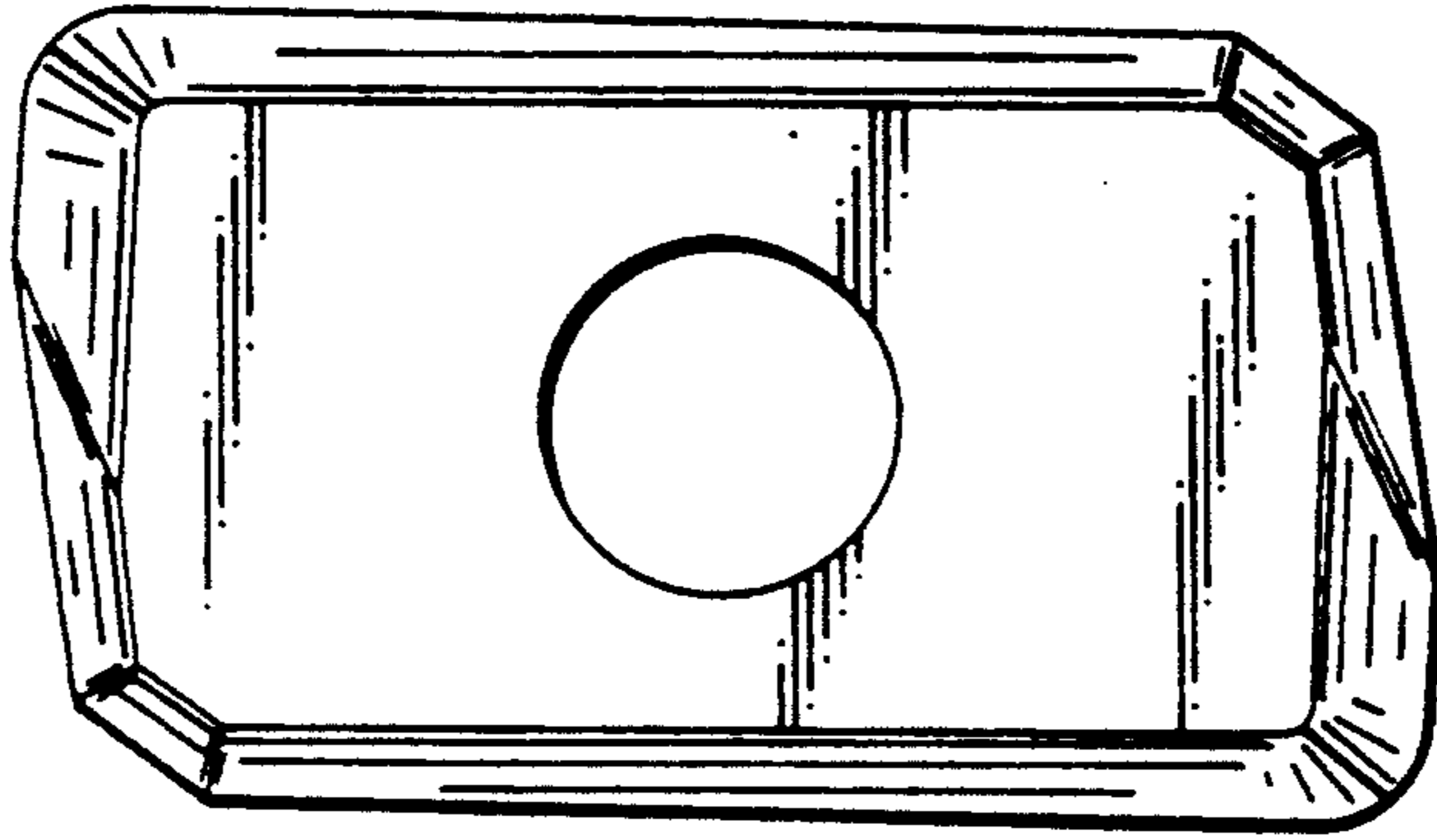


FIG.4

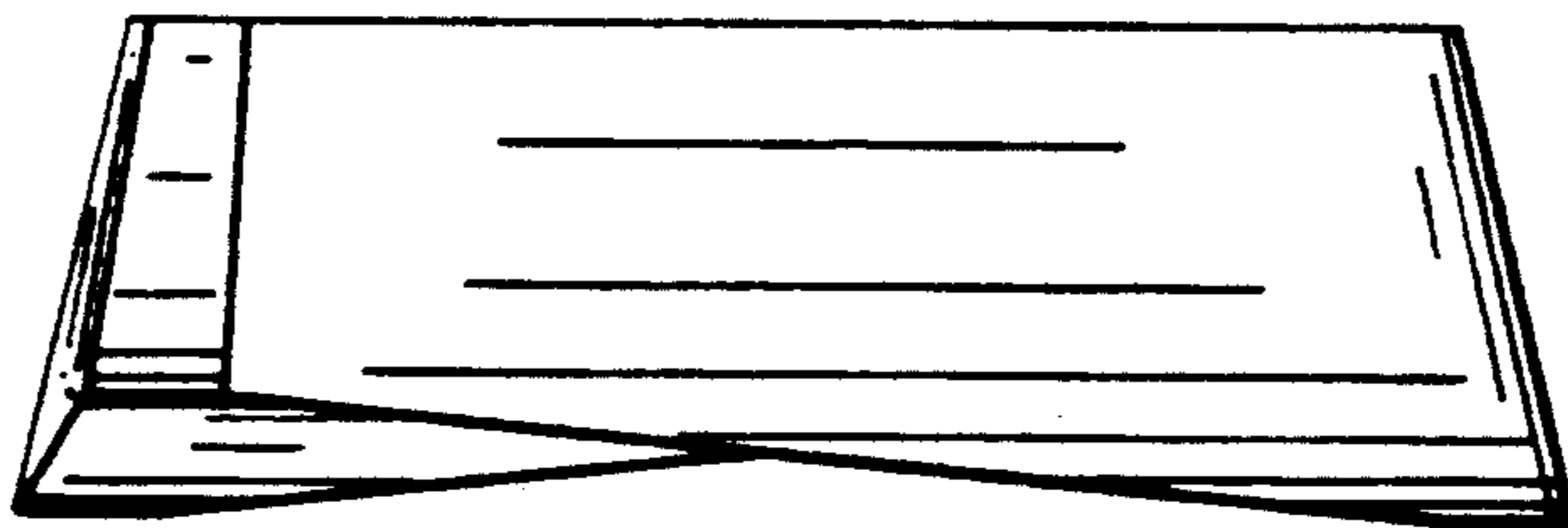


FIG.5

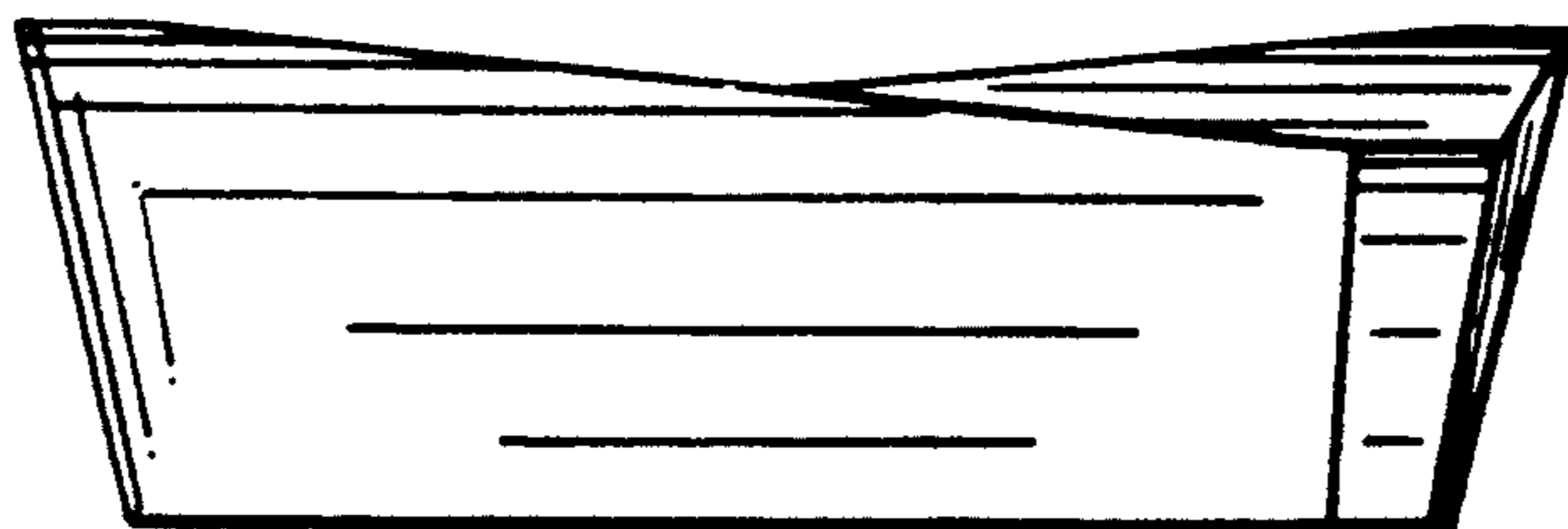


FIG.6

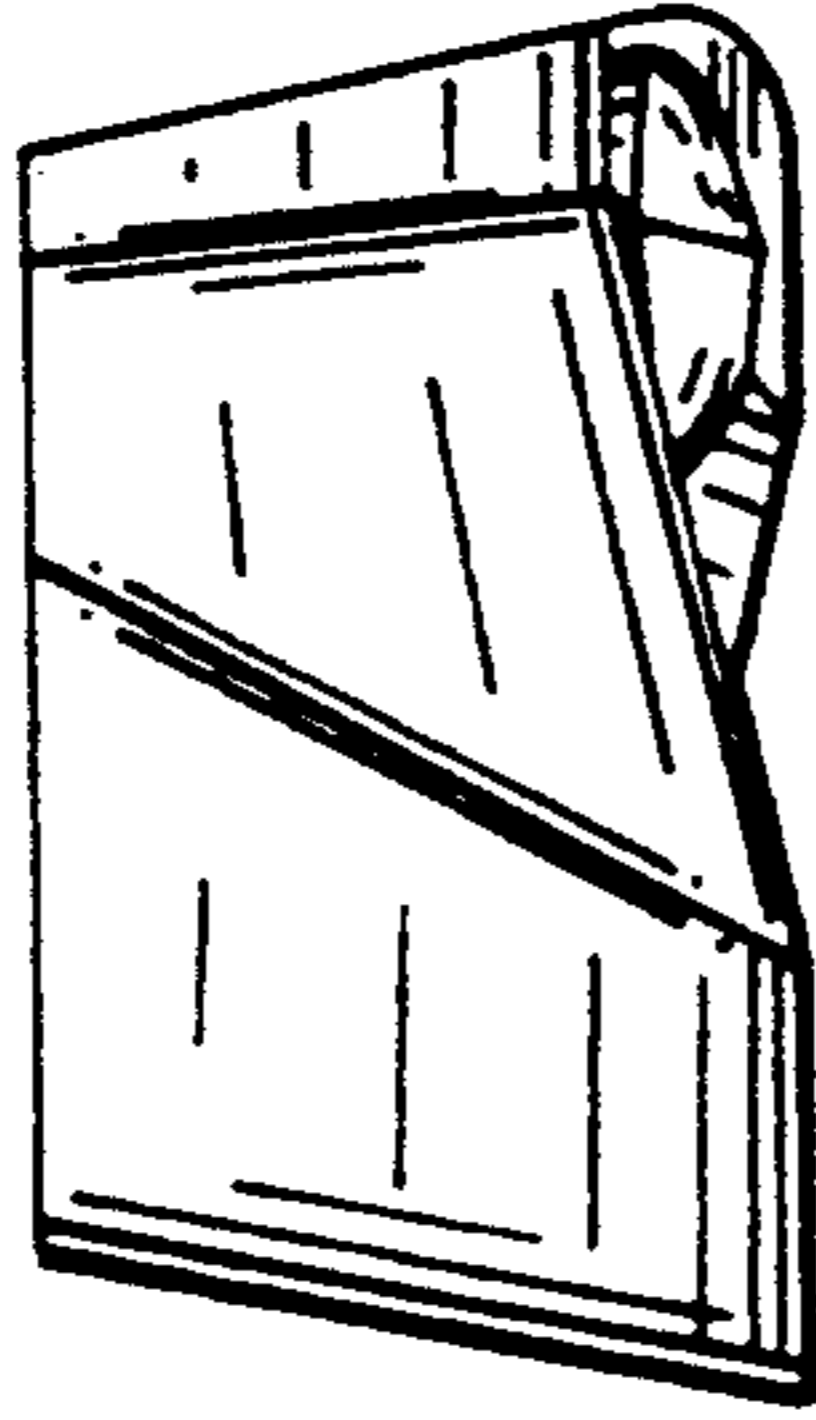


FIG.7

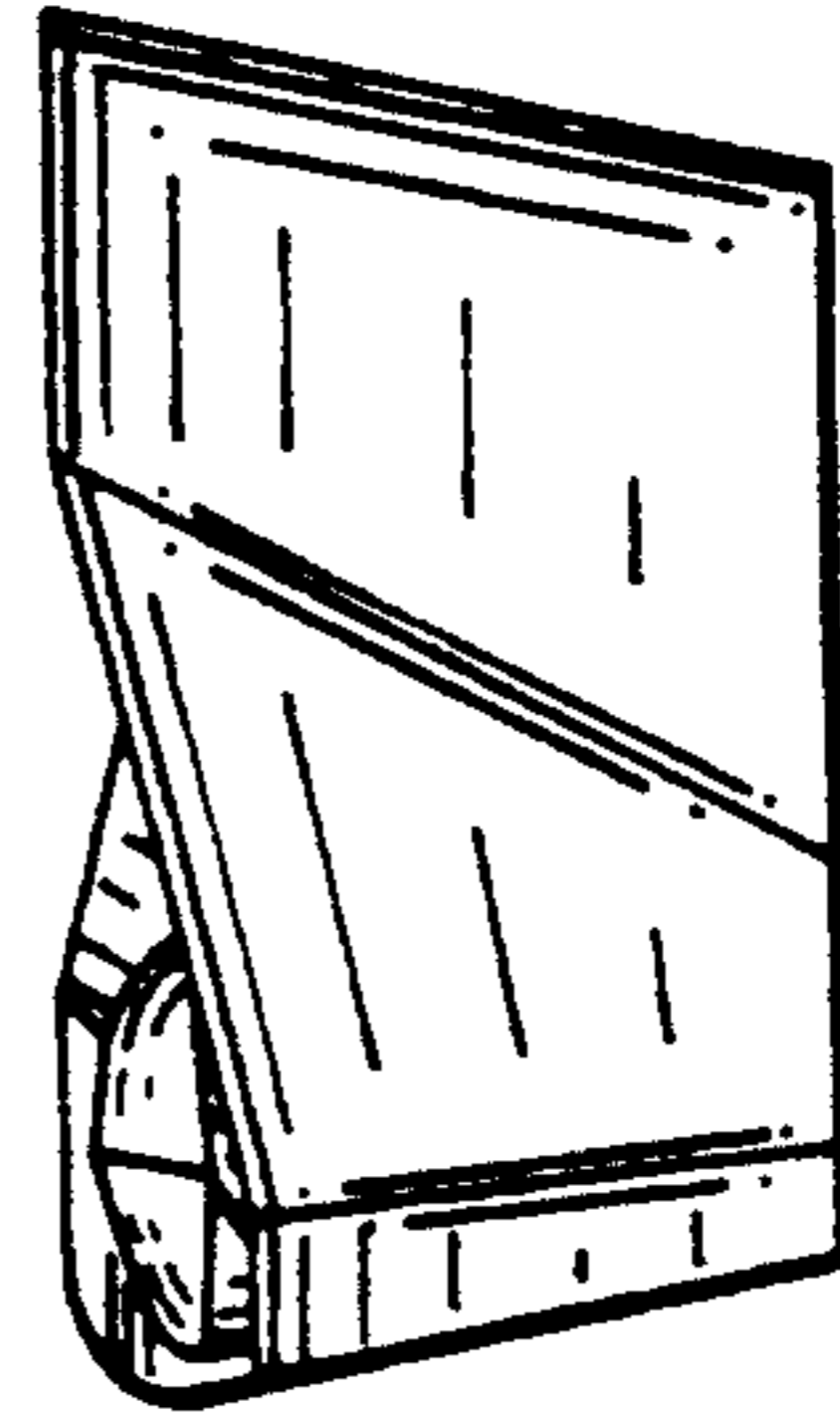


FIG.8

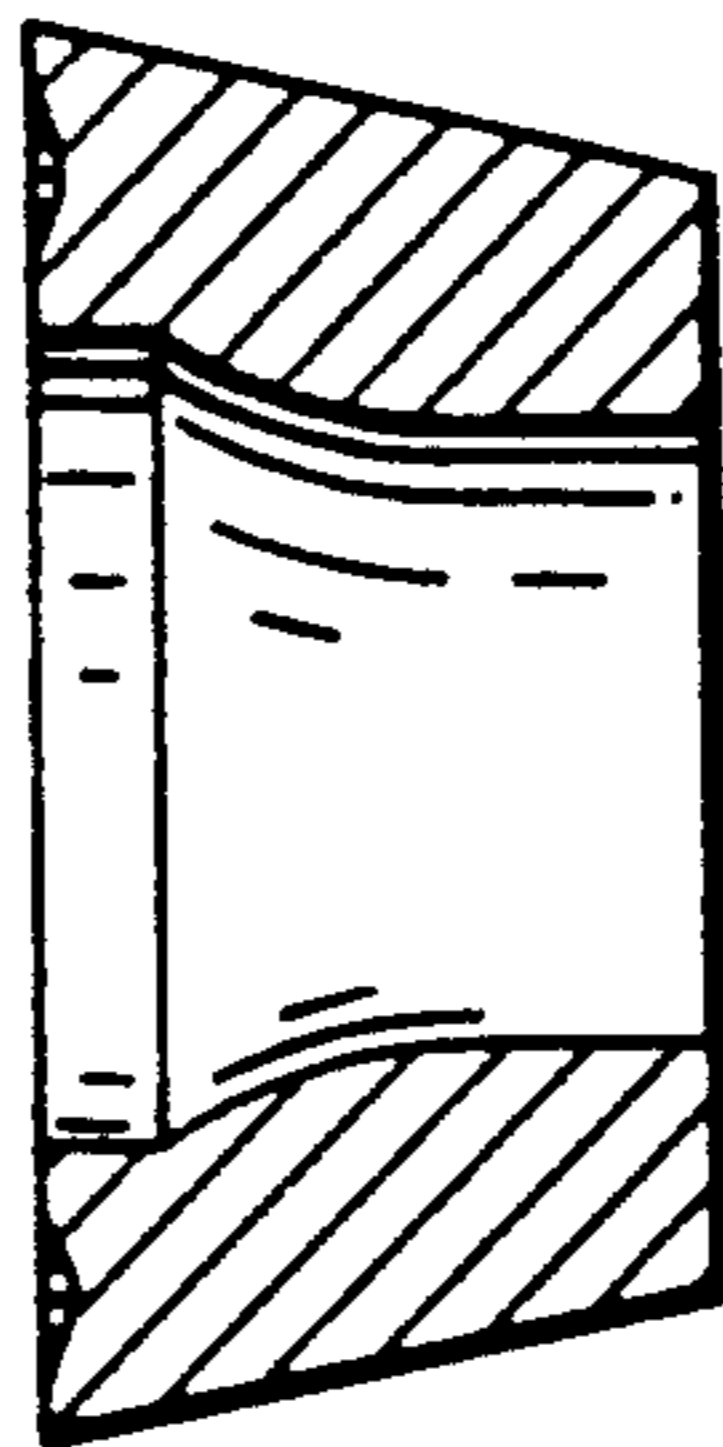


FIG.9

