



US00D342268S

United States Patent [19]
Meyer

[11] **Patent Number: Des. 342,268**

[45] **Date of Patent: ** Dec. 14, 1993**

[54] **MILLING HEAD FOR WOODWORKING**

[75] **Inventor: Scott W. Meyer, Tampa, Fla.**

[73] **Assignee: Iggesund Tools AB, Iggesund, Sweden**

[**] **Term: 14 Years**

[21] **Appl. No.: 857,297**

[22] **Filed: Mar. 25, 1992**

[30] **Foreign Application Priority Data**

Mar. 25, 1991 [SE] Sweden 91-1907

[52] **U.S. Cl. D15/139**

[58] **Field of Search D15/138, 139; 407/113-117**

[56] **References Cited**

U.S. PATENT DOCUMENTS

D. 189,499 12/1960 Sussman D15/139
D. 269,348 6/1983 Strohmaier D15/139
4,443,136 4/1984 Kemmer 407/117 X
5,071,292 12/1992 Satran 407/116

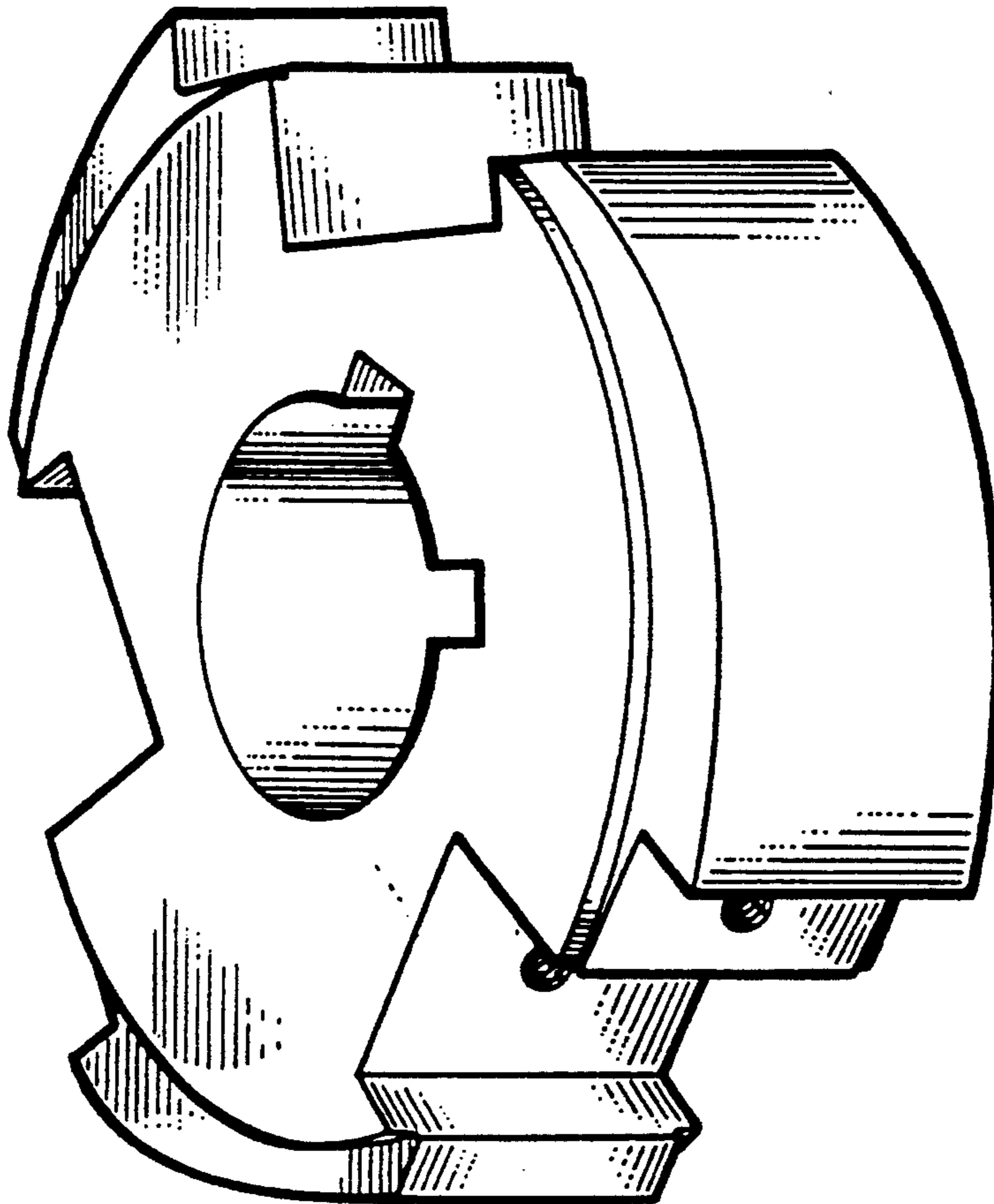
Primary Examiner—Alan P. Douglas
Assistant Examiner—Antoine D. Davis
Attorney, Agent, or Firm—Dowell & Dowell

[57] **CLAIM**

The ornamental design for a milling head for wood-
working, as shown and described.

DESCRIPTION

FIG. 1 is a front perspective view of a milling head for
woodworking showing my new design;
FIG. 2 is a front elevational view thereof; and,
FIG. 3 is a left side elevational view, a view taken from
the right side being a mirror image thereof.



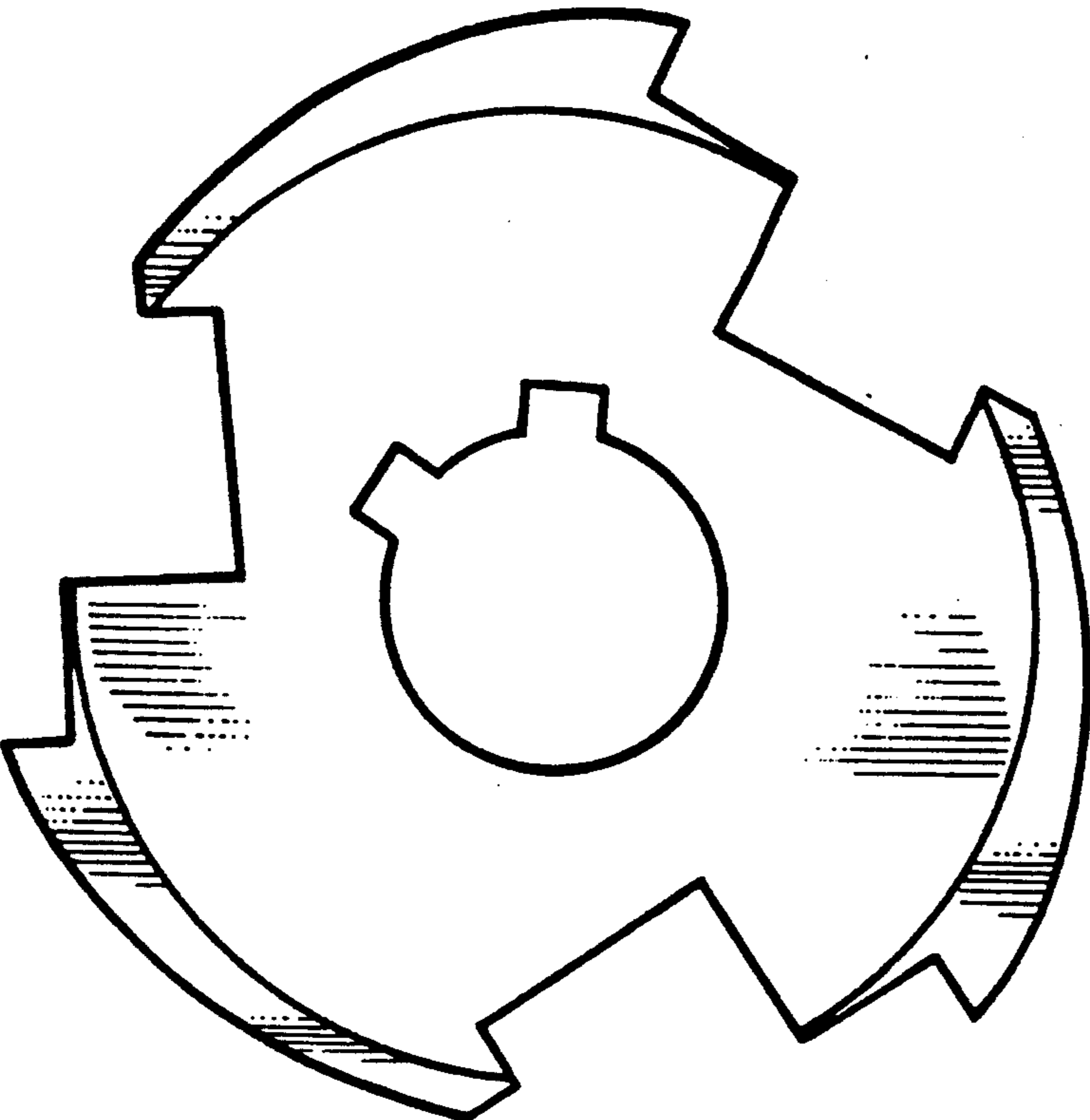


FIG. 3

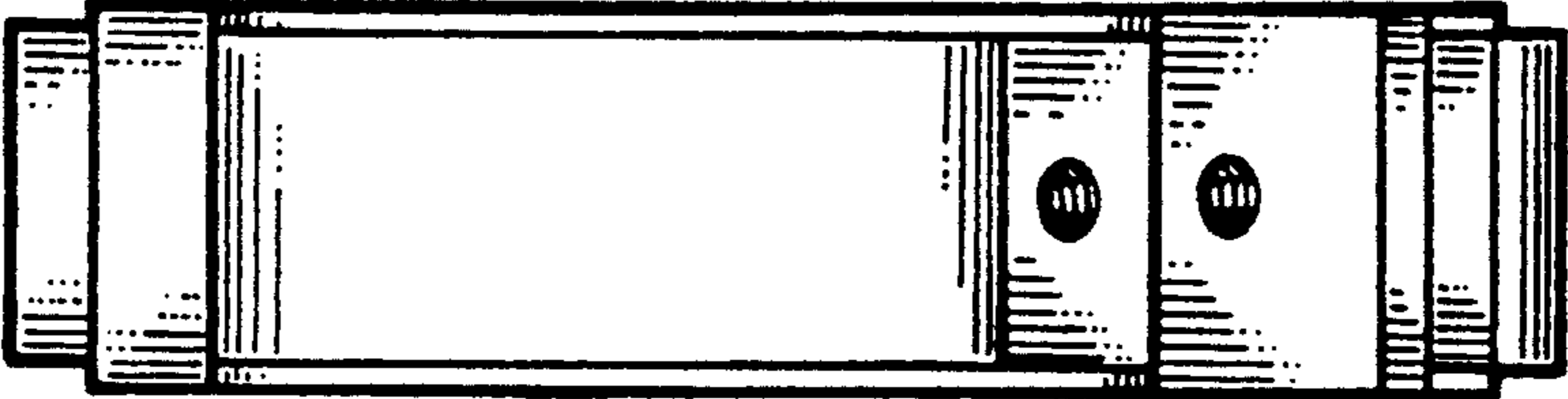


FIG. 2

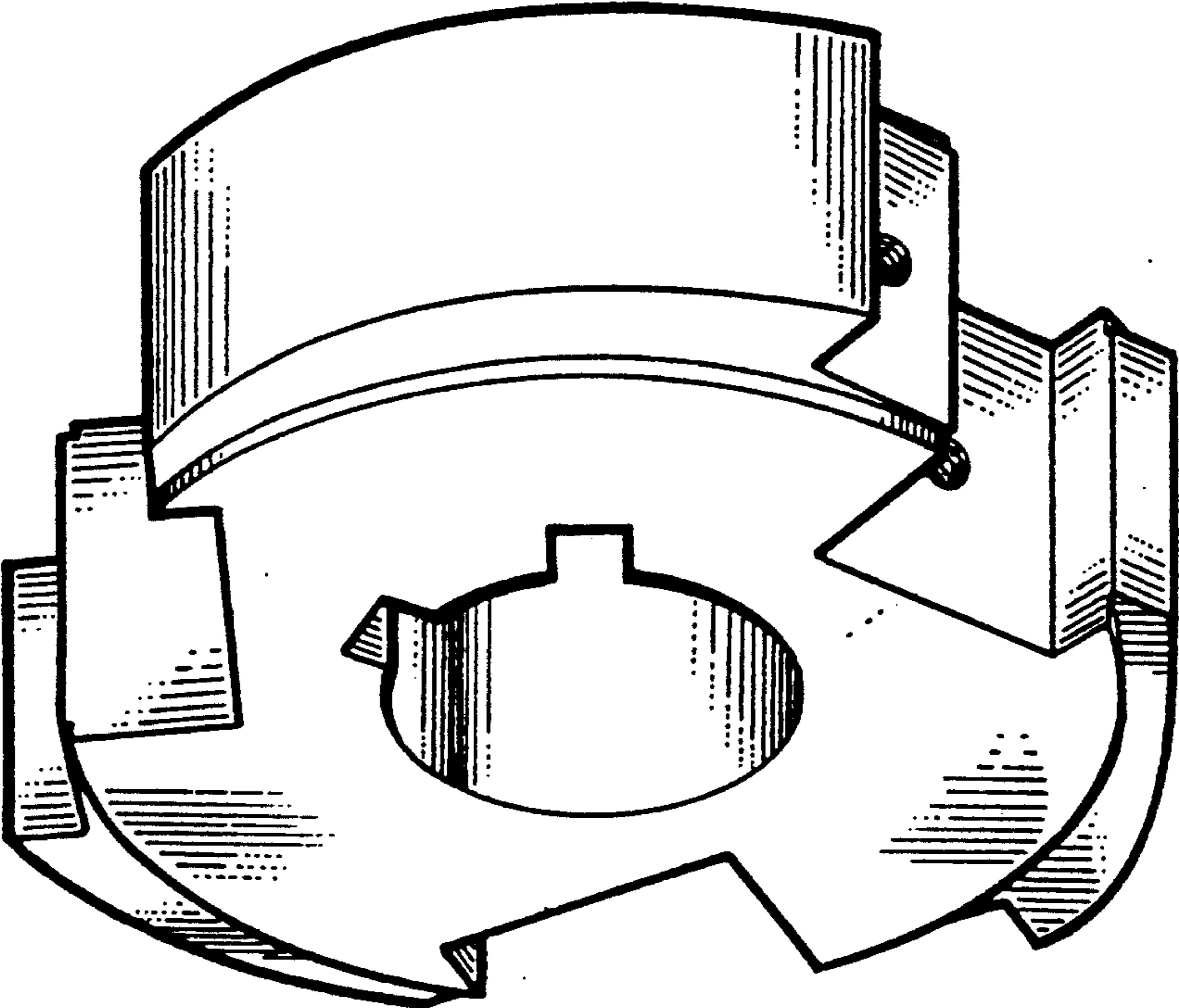


FIG. 1