



US00D342265S

United States Patent [19] Rock

[11] Patent Number: Des. 342,265
[45] Date of Patent: ** Dec. 14, 1993

[54] CAN CRUSHER
[76] Inventor: **Kevin S. Rock**, 32-373 Chiricahua Dr., Thousand Palms, Calif. 92276
[**] Term: **14 Years**
[21] Appl. No.: **831,333**
[22] Filed: **Feb. 7, 1992**
[52] U.S. Cl. **D15/123**
[58] Field of Search **D15/123; 100/137, 179, 100/185, 193, 237, 259, 260, 264, 280, 289, 982, 35, 41**

4,890,552 1/1990 Yelczyn 100/902
4,988,019 1/1991 Dawes 100/54 X
5,033,375 7/1991 Reeves 100/902 X

Primary Examiner—Alan P. Douglas
Assistant Examiner—Antoine O. Davis
Attorney, Agent, or Firm—Terry M. Gernstein

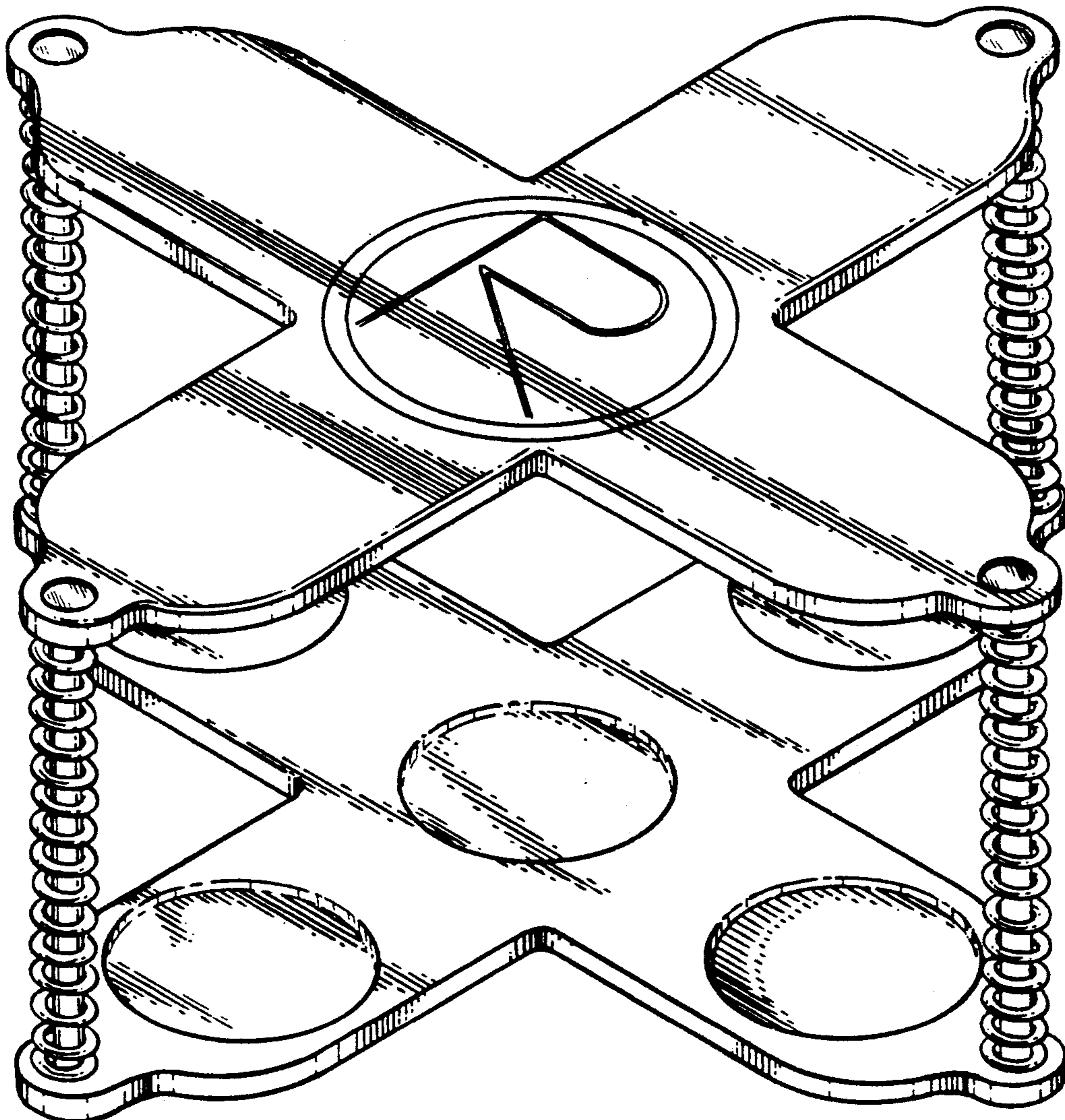
[57] CLAIM

The ornamental design for a can crusher as shown and described.

DESCRIPTION

FIG. 1 is a perspective view of the can crusher embodying the design of the present invention;
FIG. 2 is a front elevational view thereof, the rear and sides each being a mirror image of the front shown in FIG. 2; and,
FIG. 3 is a top plan view thereof, the bottom view being a mirror image of the top view shown in FIG. 3;

[56] **References Cited**
U.S. PATENT DOCUMENTS
3,988,978 11/1976 Flick 100/902 X
4,257,321 3/1981 Wheeler et al. 100/268 X
4,667,593 5/1987 Kennedy .
4,682,539 7/1987 Bramblett .



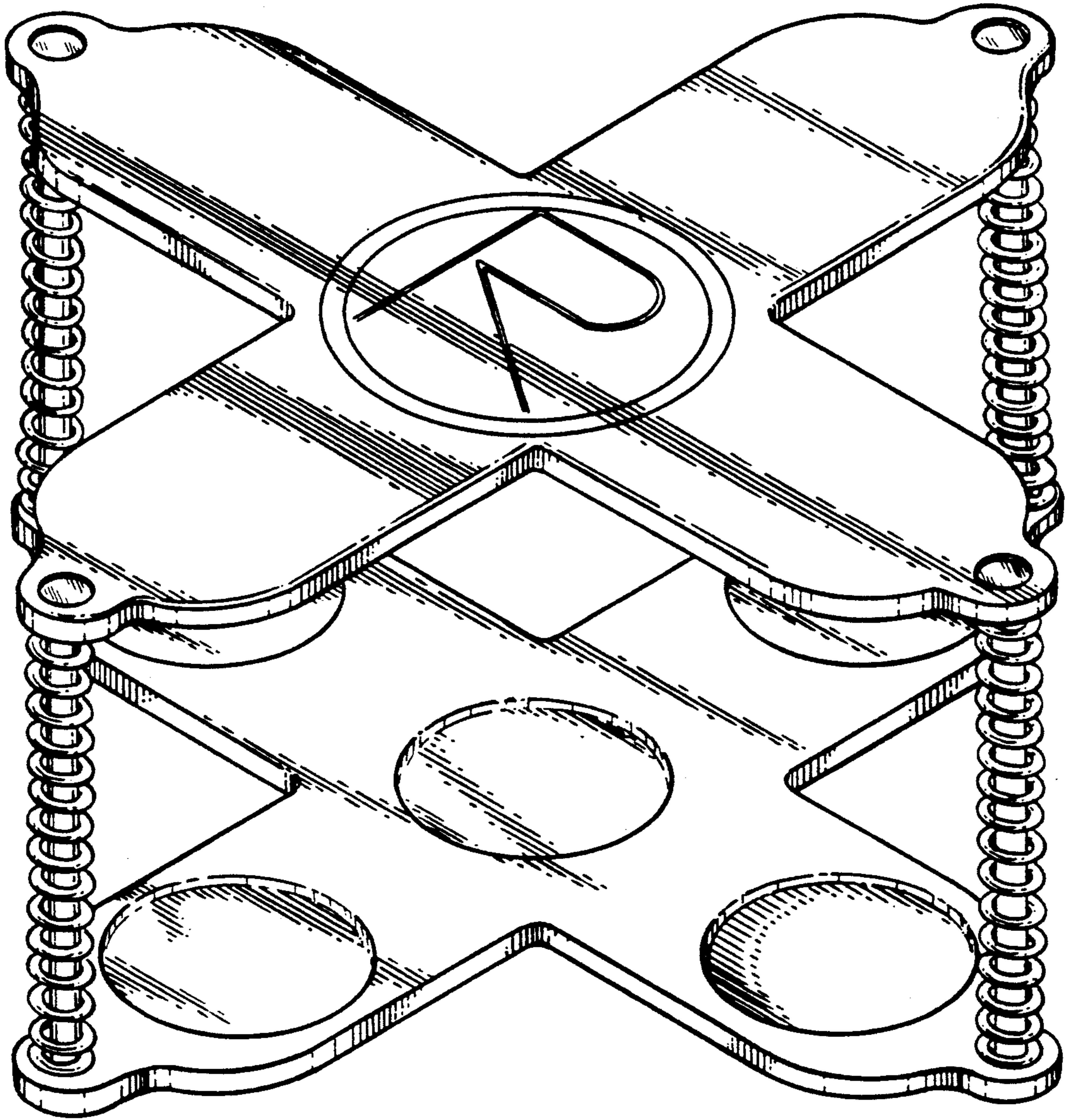


FIG. 1

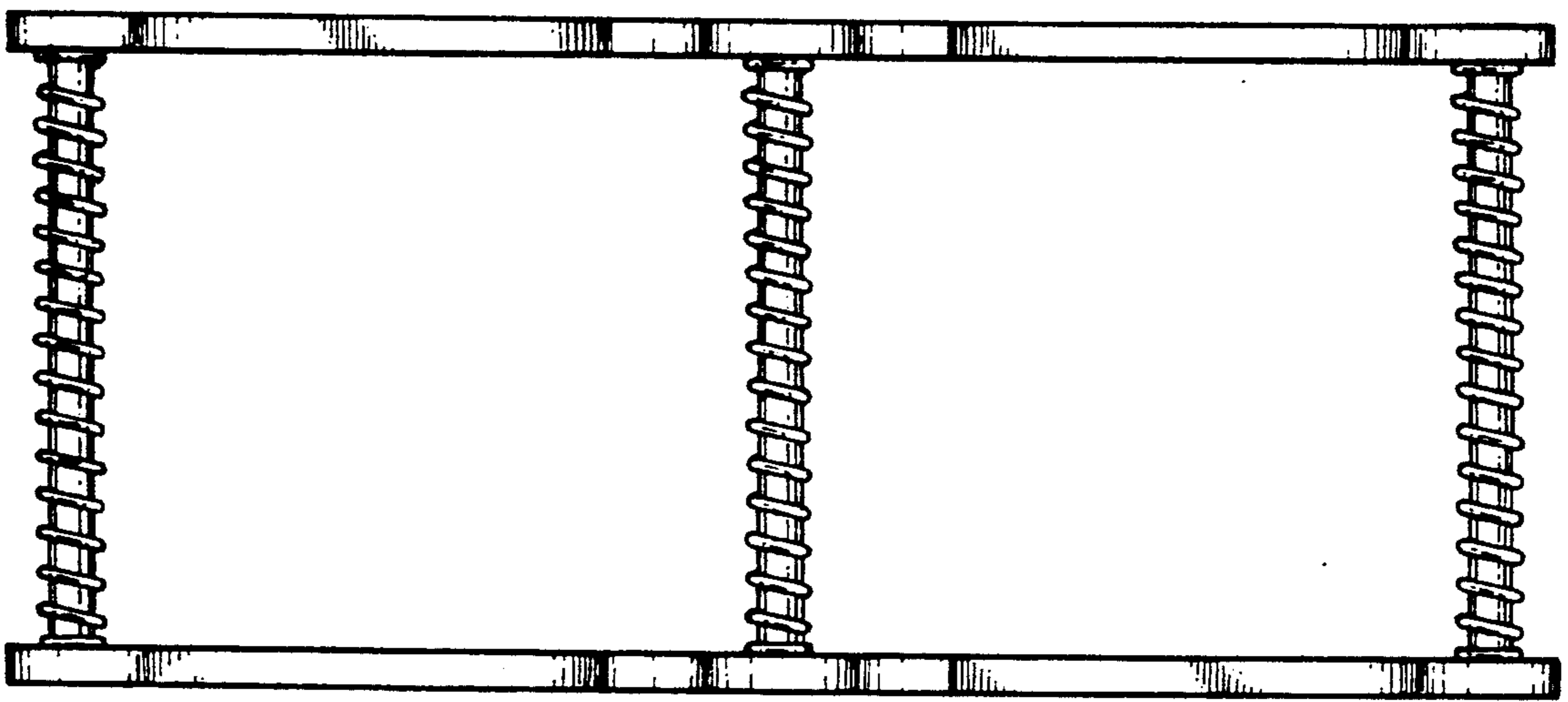


FIG. 2

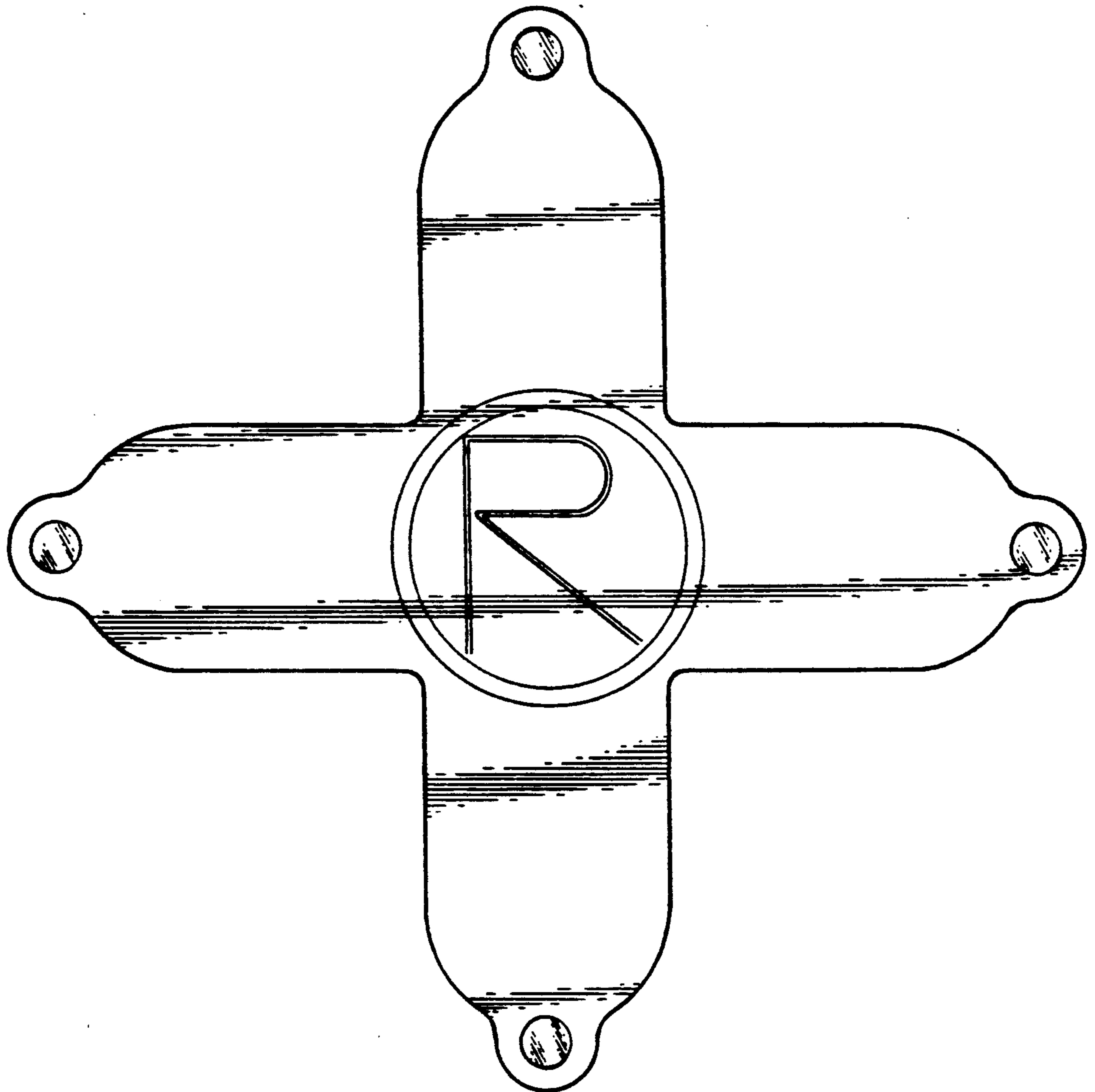


FIG. 3