



US00D342264S

United States Patent [19] Pittman

[11] Patent Number: **Des. 342,264**
[45] Date of Patent: **** Dec. 14, 1993**

[54] **ICE CUBE DISPENSER**
[76] Inventor: **Leroy Pittman, 3500 McKinney, Lot #110, Baytown, Tex. 77520**
[**] Term: **14 Years**
[21] Appl. No.: **784,813**
[22] Filed: **Oct. 29, 1991**
[52] U.S. Cl. **D15/90**
[58] Field of Search **D15/79, 90; 249/52, 249/55, 70, 120, 121, 126, 127, 129; 206/806; 220/522**

2,584,838 2/1952 Boyle 249/120
4,222,547 9/1980 Lalonde D15/90
4,967,995 11/1990 Burgess 249/121

Primary Examiner—Bernard Ansher
Assistant Examiner—Sandra Morris
Attorney, Agent, or Firm—Jackson & Walker

[57] **CLAIM**

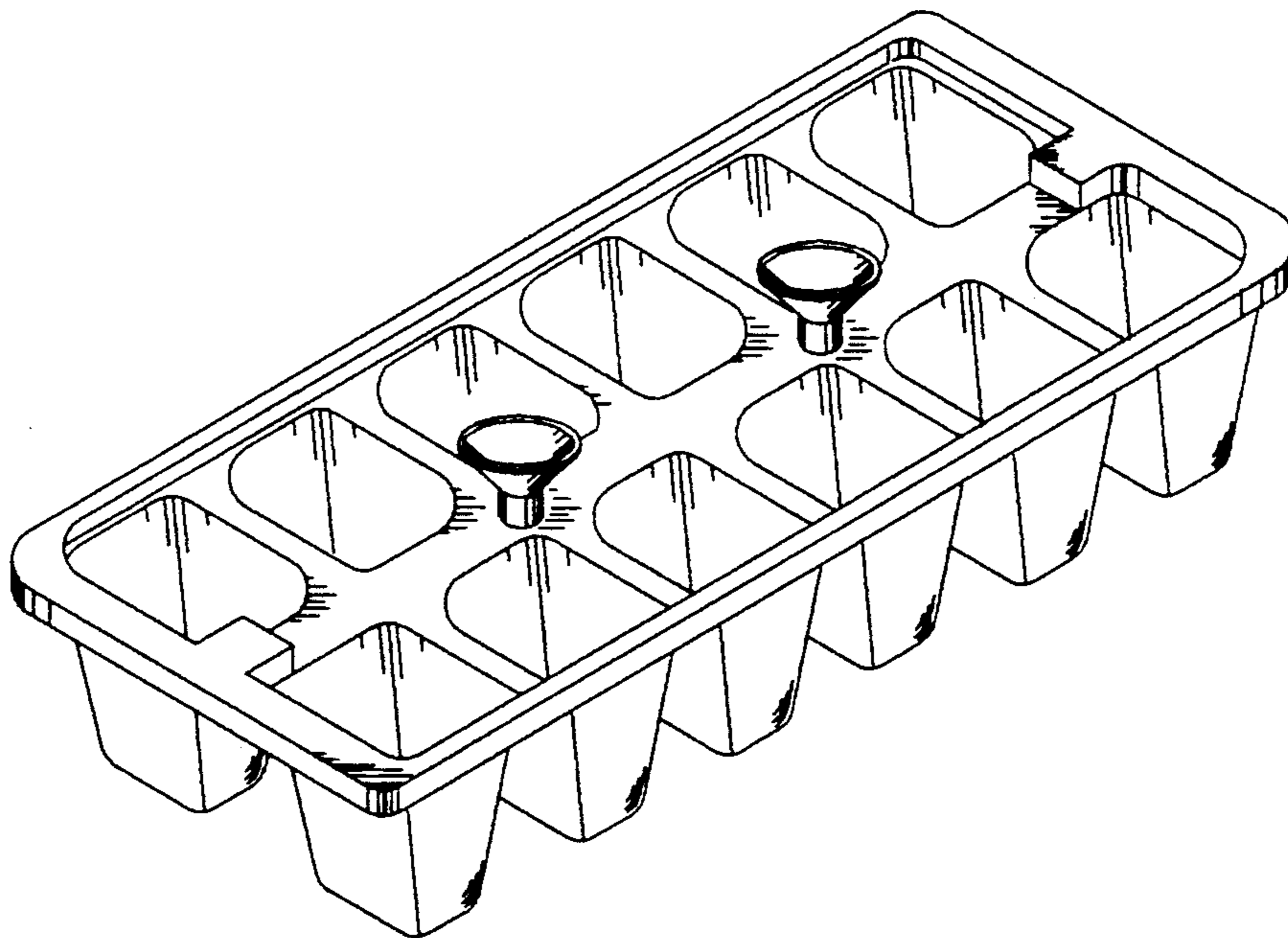
The ornamental design for an ice cube dispenser, as shown and described.

DESCRIPTION

FIG. 1 is a perspective view of an ice cube dispenser, showing my new design;
FIG. 2 is a side elevational view thereof;
FIG. 3 is an end elevational view thereof;
FIG. 4 is a bottom plan view thereof; and,
FIG. 5 is a perspective view of the design in use, the broken line showing of the refrigerator is for illustrative purposes only, and forms no part of the claimed design.

[56] **References Cited**
U.S. PATENT DOCUMENTS

D. 220,800 5/1971 Krogh D15/90
D. 332,178 1/1993 Proctor et al. D4/130
1,804,324 5/1931 De Weal D15/90
1,896,849 2/1933 Newman D15/90
2,520,892 8/1950 Roethel D15/90



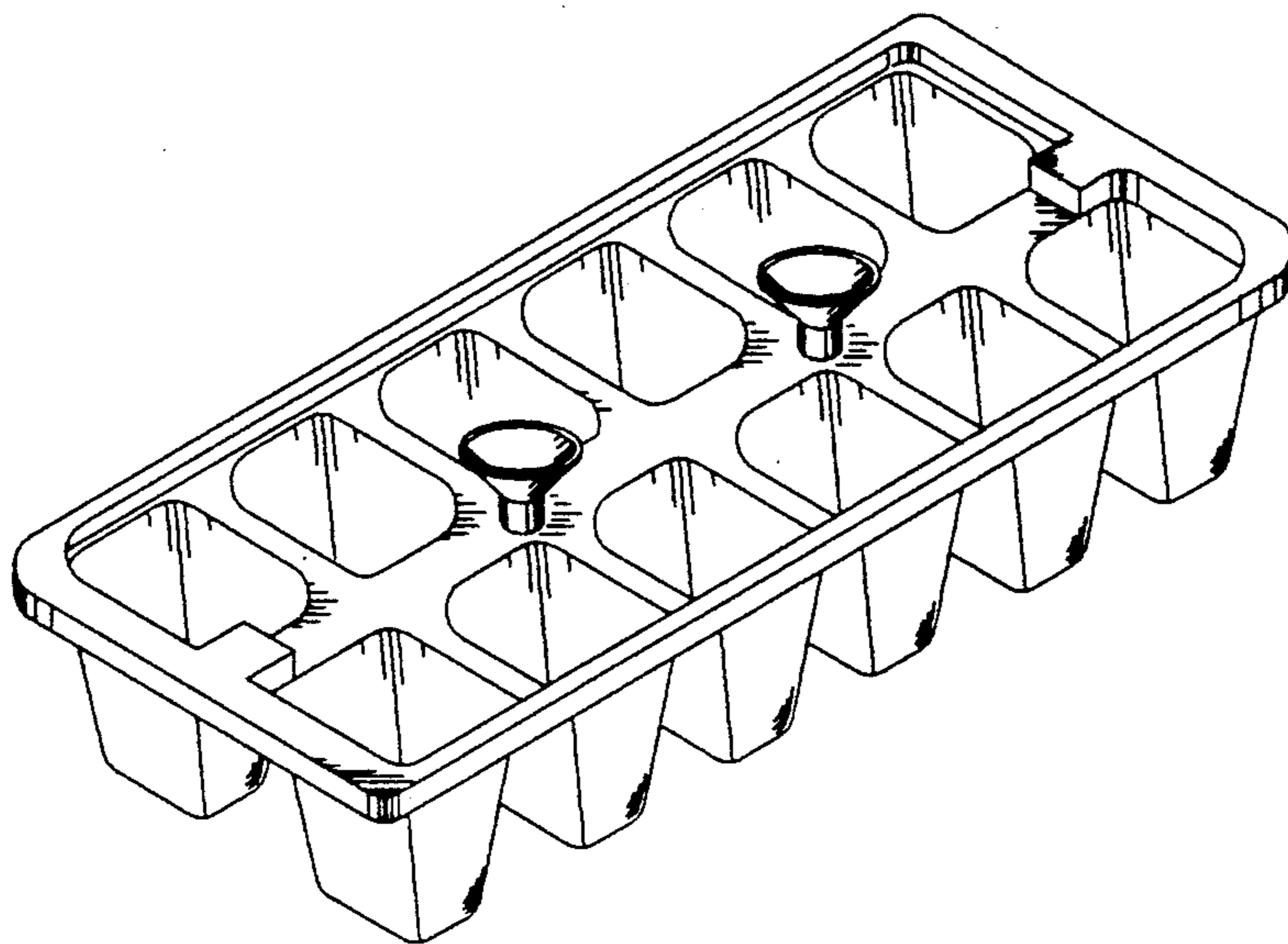


FIG. 1

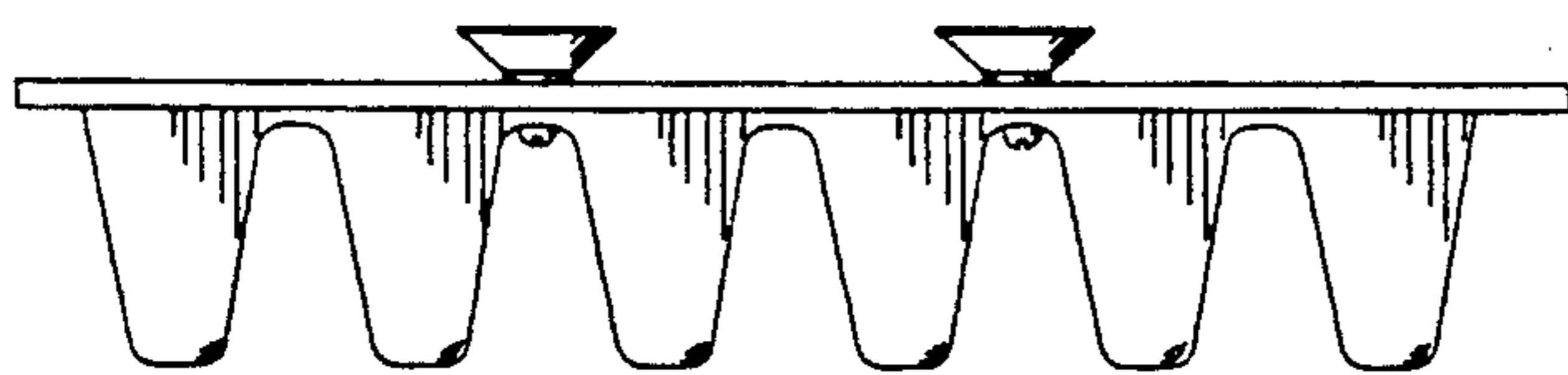


FIG. 2

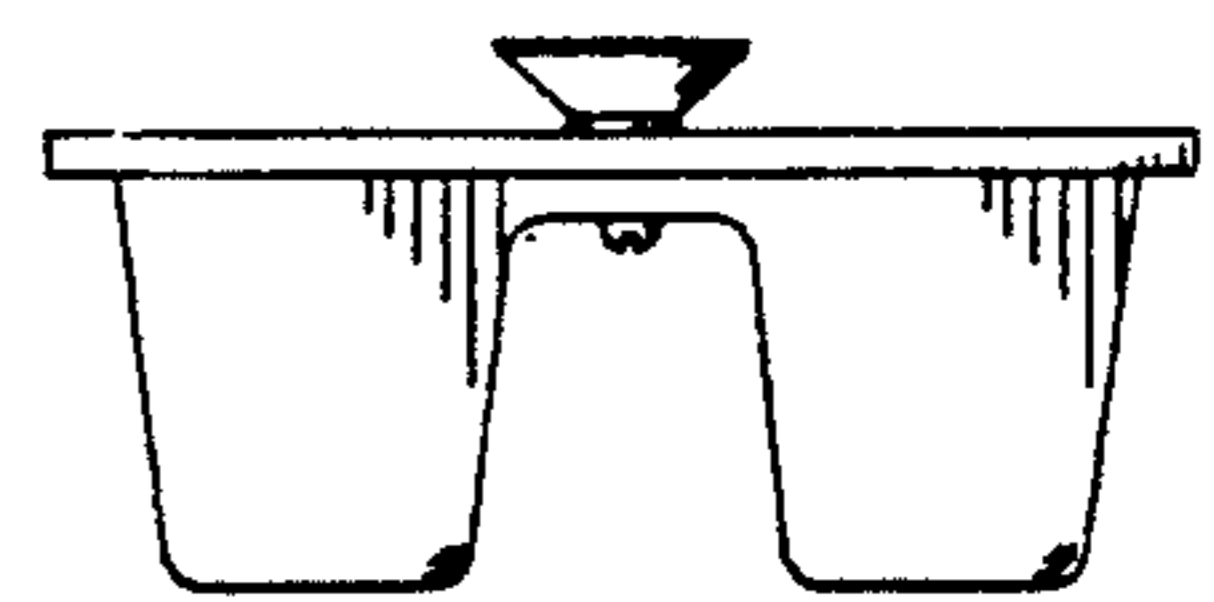


FIG. 3

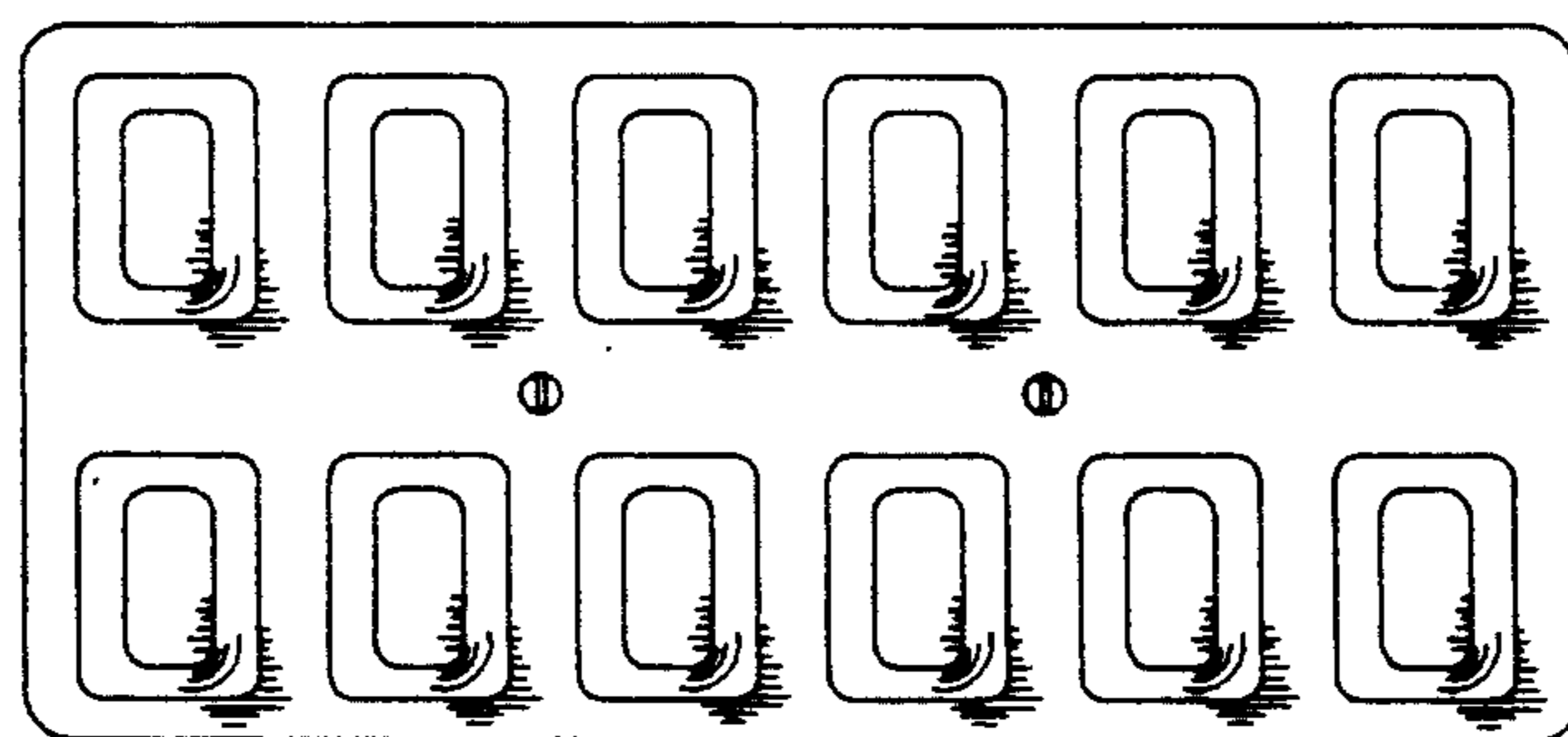


FIG. 4

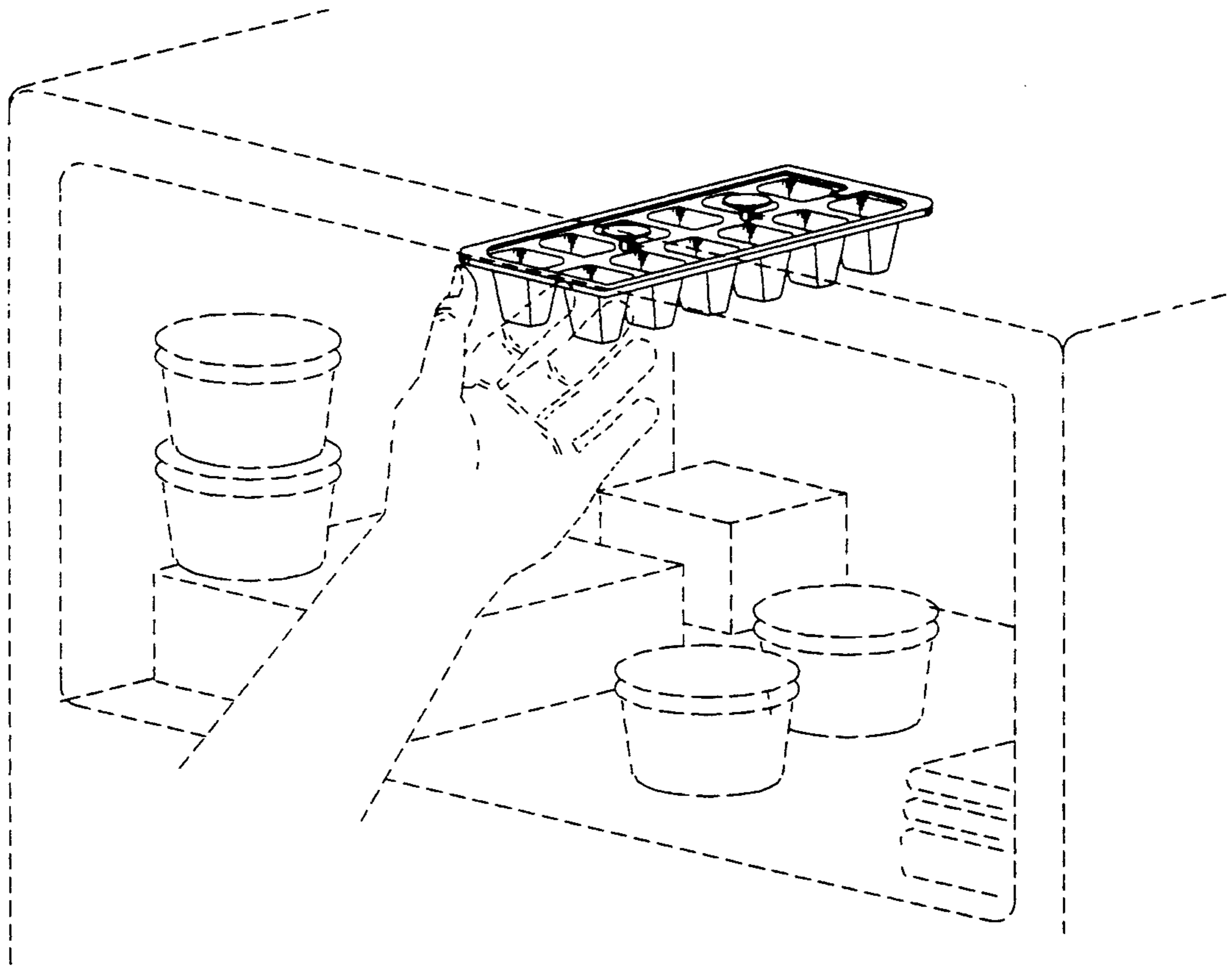


FIG. 5