



US00D342261S

# United States Patent [19]

[11] Patent Number: **Des. 342,261**

Grewe et al.

[45] Date of Patent: **\*\* Dec. 14, 1993**

[54] TELEPHONE HANDSET

[75] Inventors: **Anthony J. Grewe, Fishers, Ind.; Daniel K. Harden, Palo Alto, Calif.; Sonja Schiefer, San Francisco, Calif.; Steven J. Shiozaki, Belmont, Calif.; David C. Stowers, Nutley; Michael P. Zambelli, Livingston, both of N.J.**

[73] Assignee: **AT&T Bell Laboratories, Murray Hill, N.J.**

[\*\*] Term: **14 Years**

[21] Appl. No.: **938,359**

[22] Filed: **Sep. 3, 1992**

[52] U.S. Cl. .... **D14/248**

[58] Field of Search ..... **D14/137, 138, 140, 142, D14/147, 148, 240, 248, 149-151; 379/58-61, 419, 433, 440, 436**

[56] **References Cited**

**U.S. PATENT DOCUMENTS**

- D. 244,141 4/1977 Bliven ..... D14/53
- D. 278,816 5/1985 McGarvey et al. .... D14/63
- D. 285,073 8/1986 Danielson et al. .... D14/63

- D. 292,703 11/1987 Tragatschnig ..... D14/53
- D. 295,624 5/1988 Garcia ..... D14/248
- D. 301,578 6/1989 Sasaki et al. .... D14/248
- D. 320,021 9/1991 Dalton ..... D14/248
- D. 333,466 2/1993 Chung ..... D14/151
- 4,694,485 9/1987 Iwase ..... 379/61 X

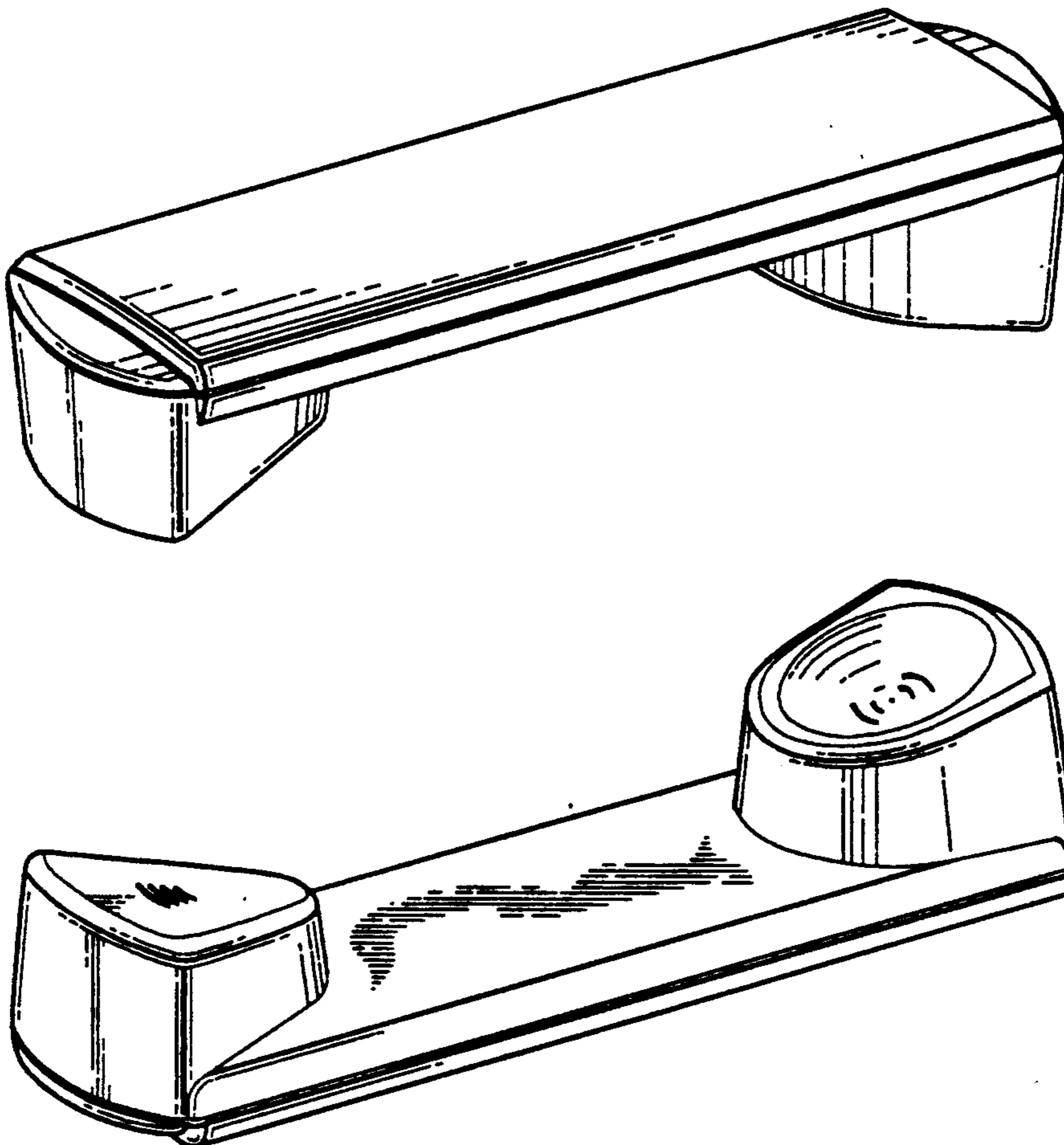
*Primary Examiner*—Alan P. Douglas  
*Assistant Examiner*—Jeffrey Asch  
*Attorney, Agent, or Firm*—Michael A. Morra

[57] **CLAIM**

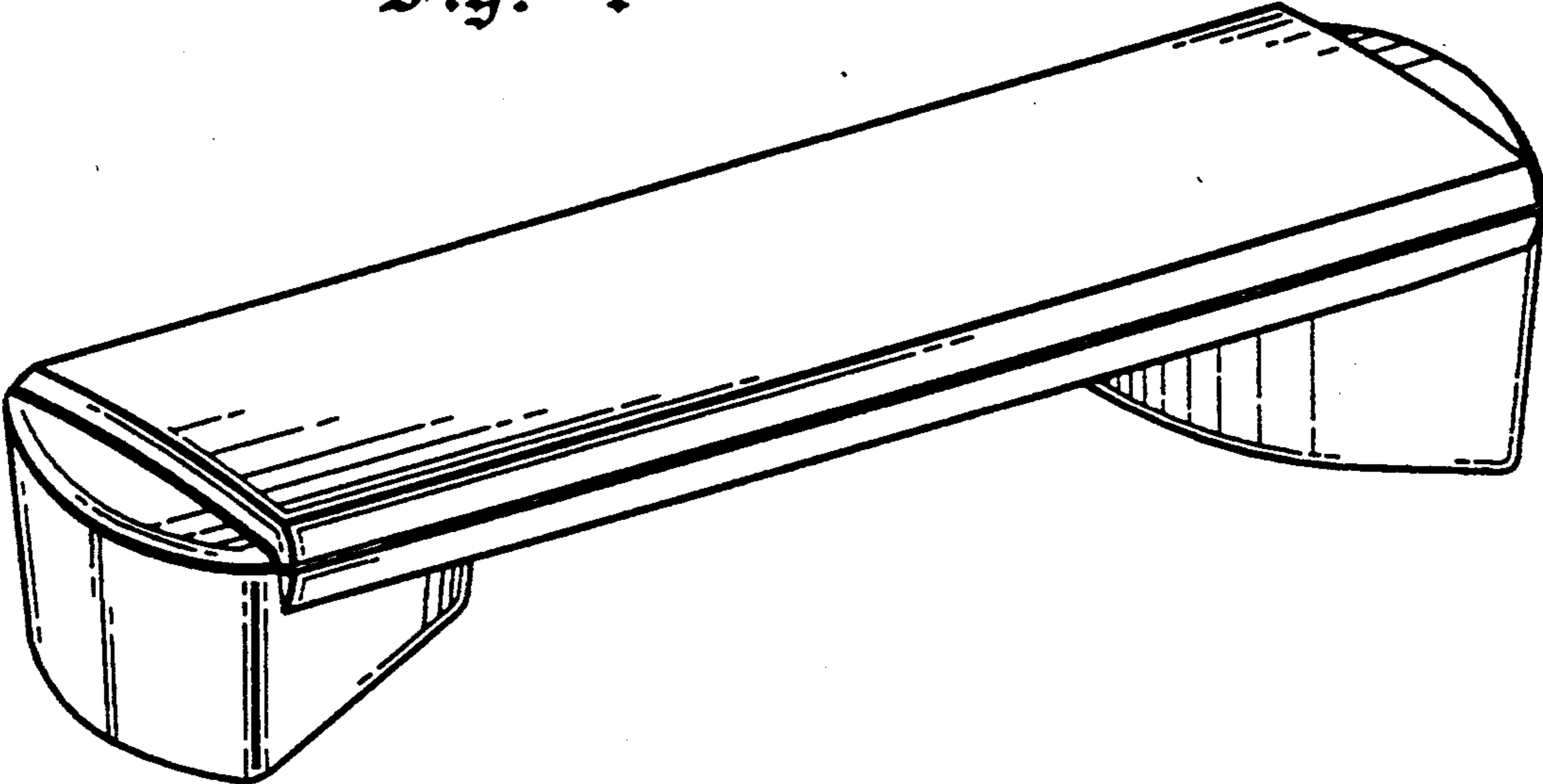
The ornamental design for a telephone handset, as shown and described.

**DESCRIPTION**

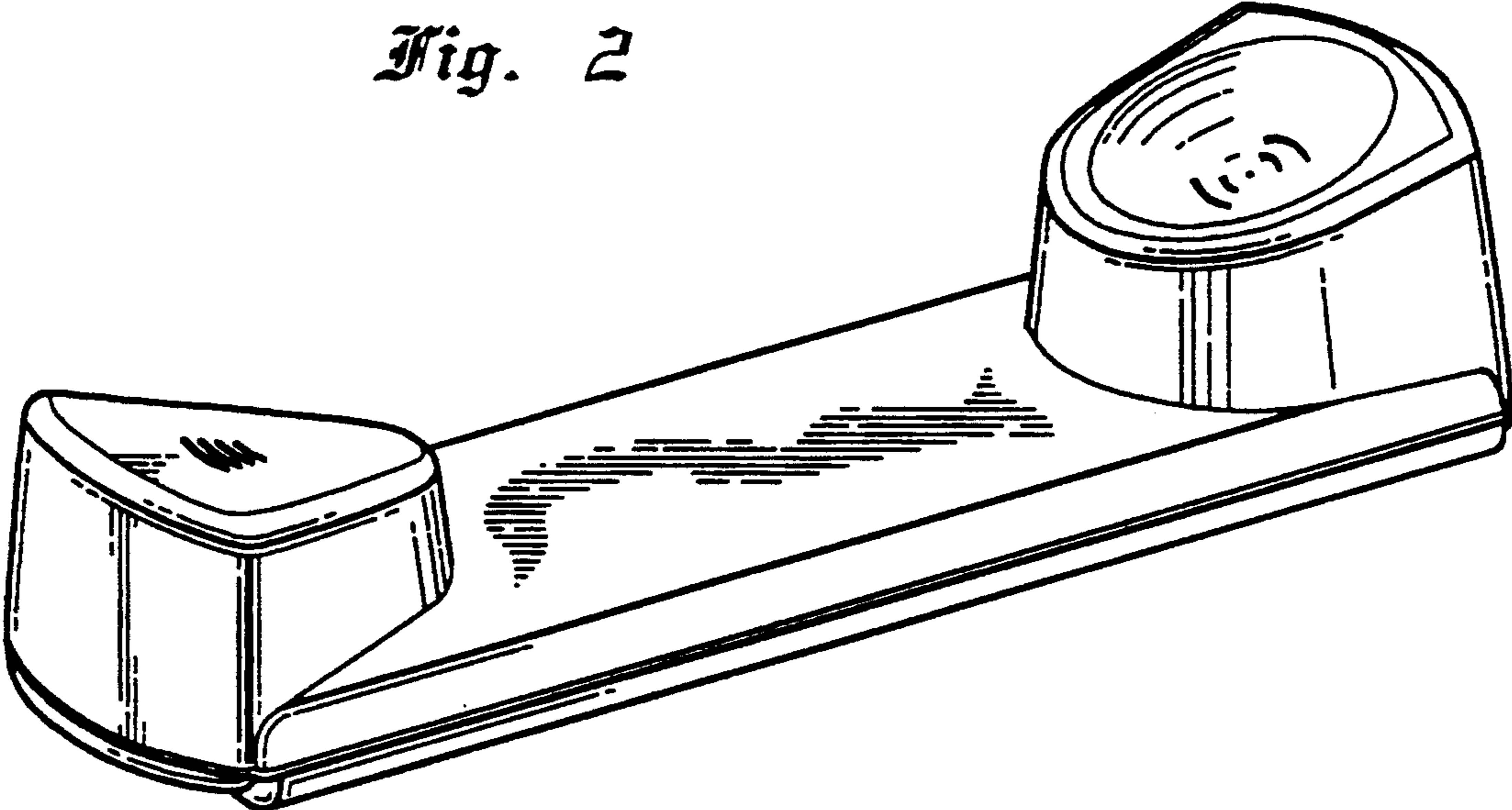
FIG. 1 is a back, transmitter-end and side perspective view of a telephone handset showing our new design; FIG. 2 is a front, transmitter-end and side perspective view of the telephone handset shown in FIG. 1; FIG. 3 is a back plan view thereof; FIG. 4 is a side elevational view of the telephone handset, the opposite side being a mirror image thereof; FIG. 5 is a front plan view thereof; FIG. 6 is a transmitter-end elevational view thereof; and, FIG. 7 is a receiver-end elevational view thereof.



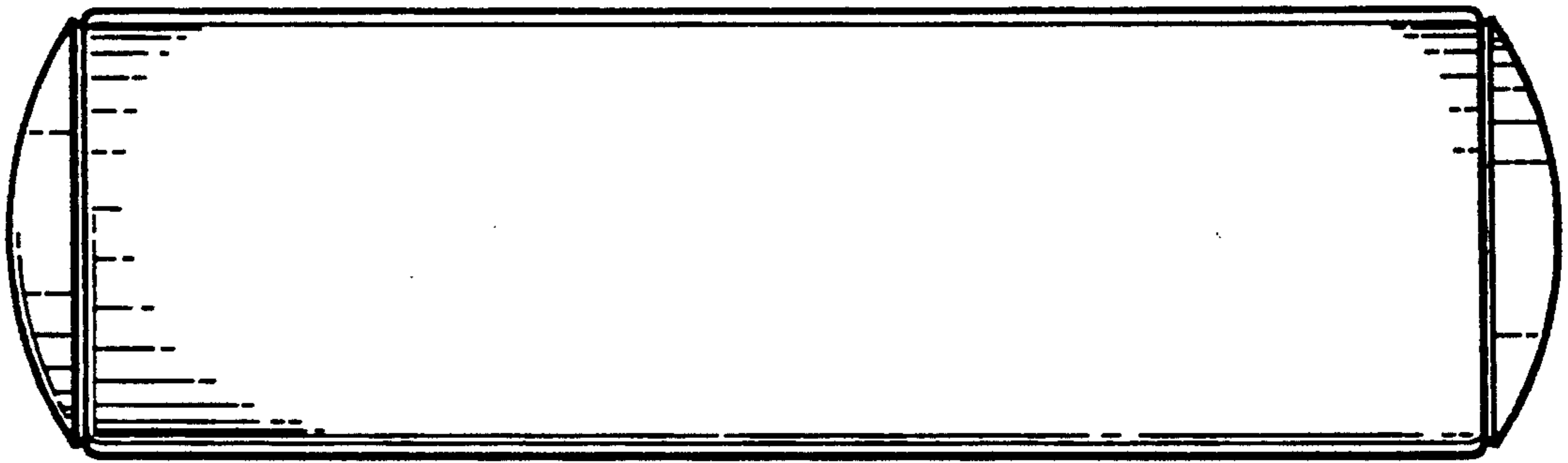
*Fig. 1*



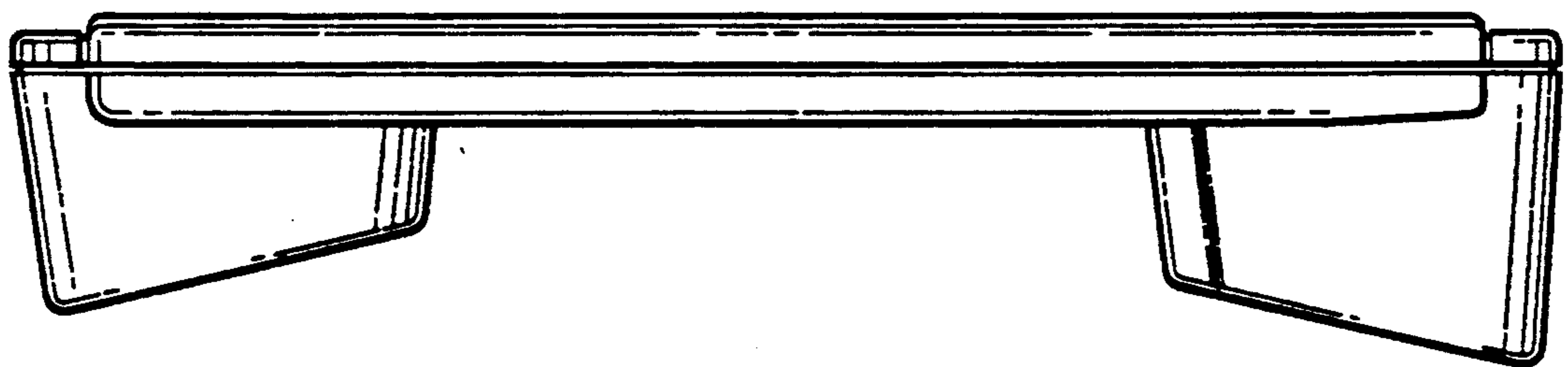
*Fig. 2*



*Fig. 3*



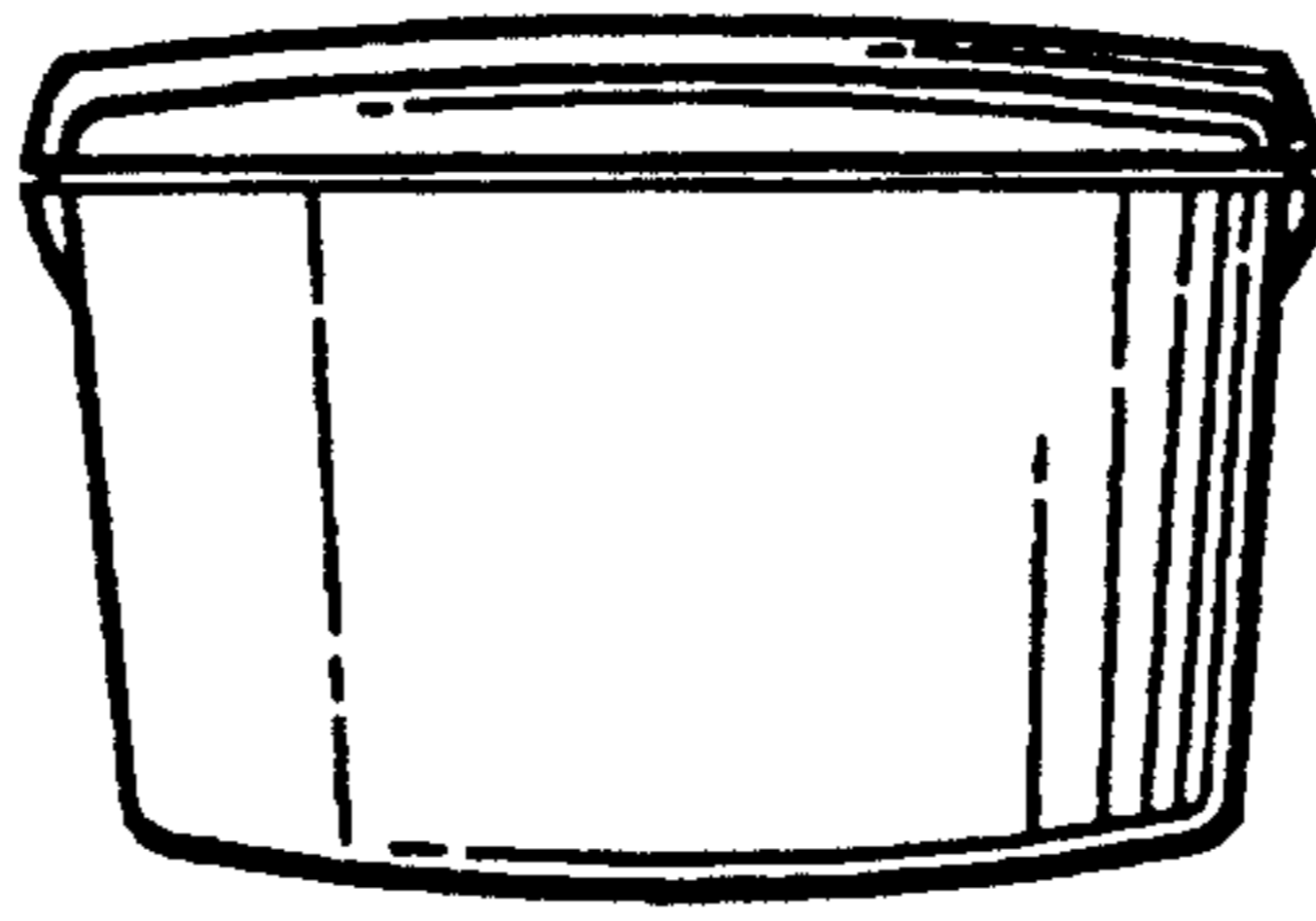
*Fig. 4*



*Fig. 5*



*Fig. 6*



*Fig. 7*

