



US00D342253S

United States Patent [19]

[11] Patent Number: **Des. 342,253**

Taylor

[45] Date of Patent: ** Dec. 14, 1993

[54] **COMBINED PORTABLE CB AND STEREO RADIO CASSETTE HOUSING**

[76] Inventor: **Dale E. Taylor**, 2616 Belknap Ave., Norman, Okla. 73072

[**] Term: **14 Years**

[21] Appl. No.: **682,220**

[22] Filed: **Apr. 9, 1991**

[52] U.S. Cl. **D14/157**

[58] Field of Search **D14/157, 195, 196, 217, D14/299; 312/7.1; 206/320, 328; 294/159, 137; D3/30.1**

[56] **References Cited**

U.S. PATENT DOCUMENTS

D. 255,901	7/1980	Tokiyama	D14/157
4,829,595	5/1989	Kobayashi et al.	312/7.1
5,004,105	4/1991	Freadman	206/328
5,020,151	5/1991	Sampei et al.	312/7.1

OTHER PUBLICATIONS

"Handbook of Pictorial Symbols"; R. Modley; ©1976; truck (second from left; third row).

Primary Examiner—B. J. Bullock
Attorney, Agent, or Firm—S. Michael Bender

[57] **CLAIM**

The ornamental design for a combined portable CB and stereo radio cassette housing, as shown and described.

DESCRIPTION

FIG. 1 is a front elevational view of the combined portable CB and stereo radio cassette housing showing my new design;

FIG. 2 is a rear elevational view thereof;

FIG. 3 is a left side elevational view thereof;

FIG. 4 is a right side elevational view thereof;

FIG. 5 is a top plan view thereof;

FIG. 6 is a bottom plan view thereof; and,

FIG. 7 is a perspective view thereof.

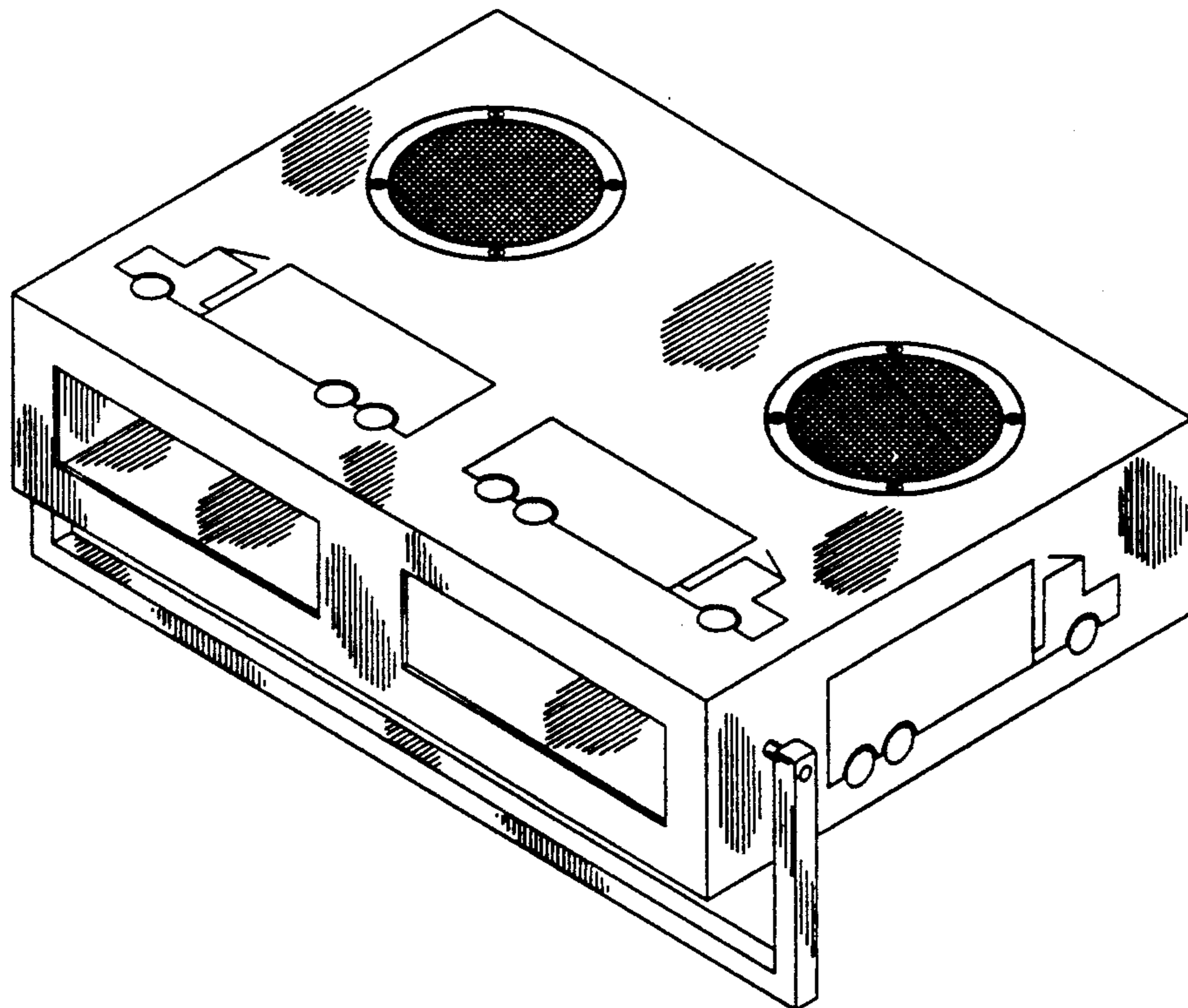
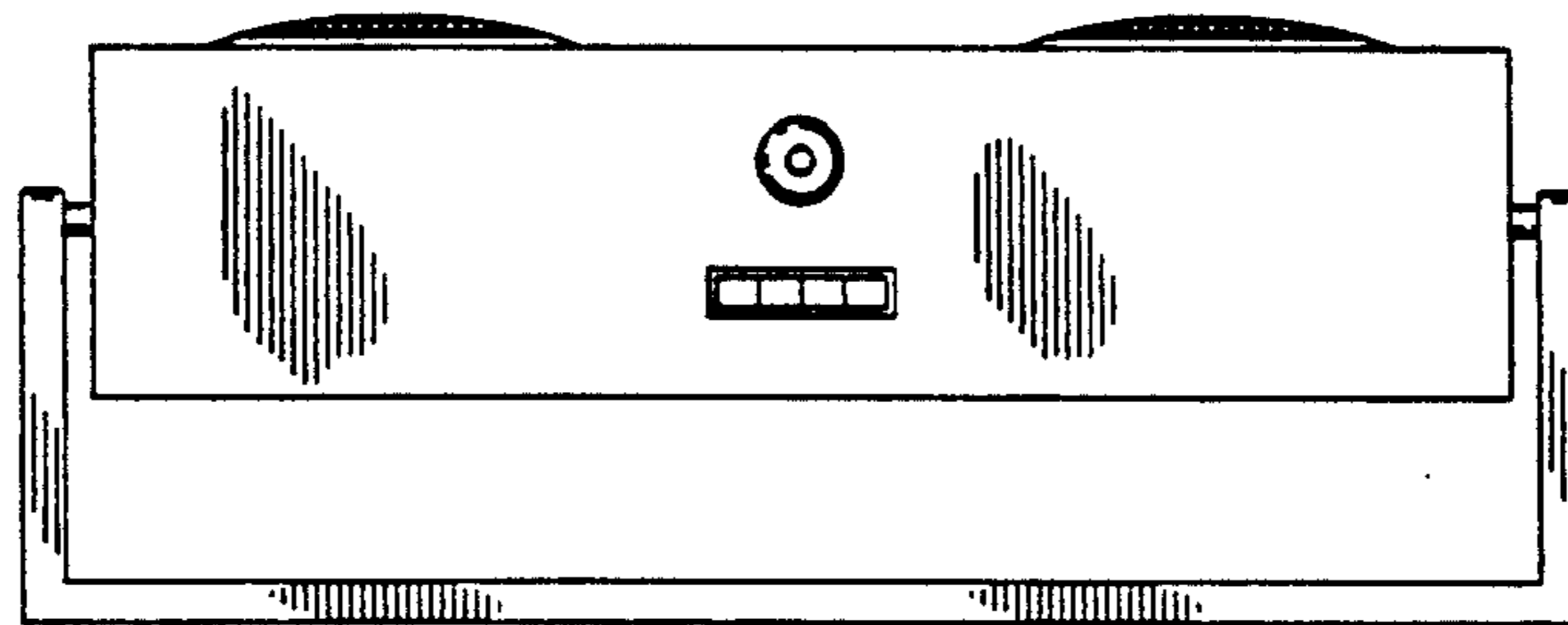


FIG. 1

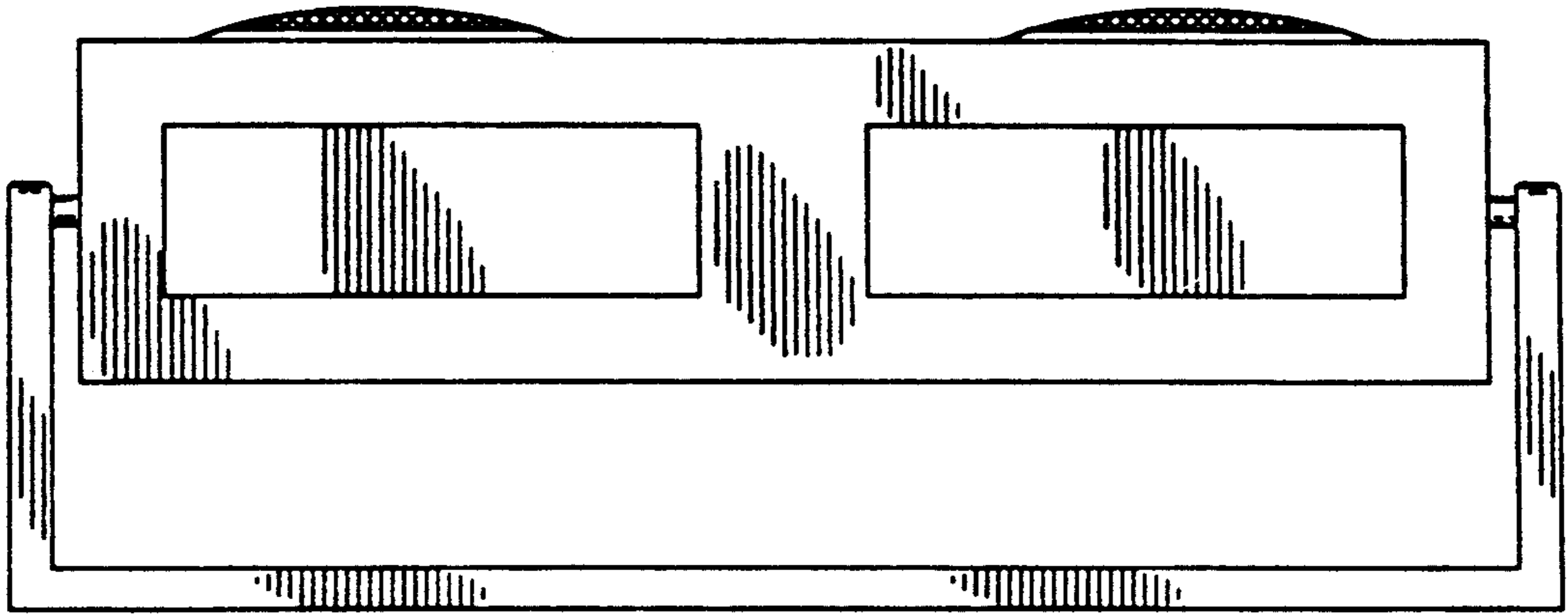


FIG. 2

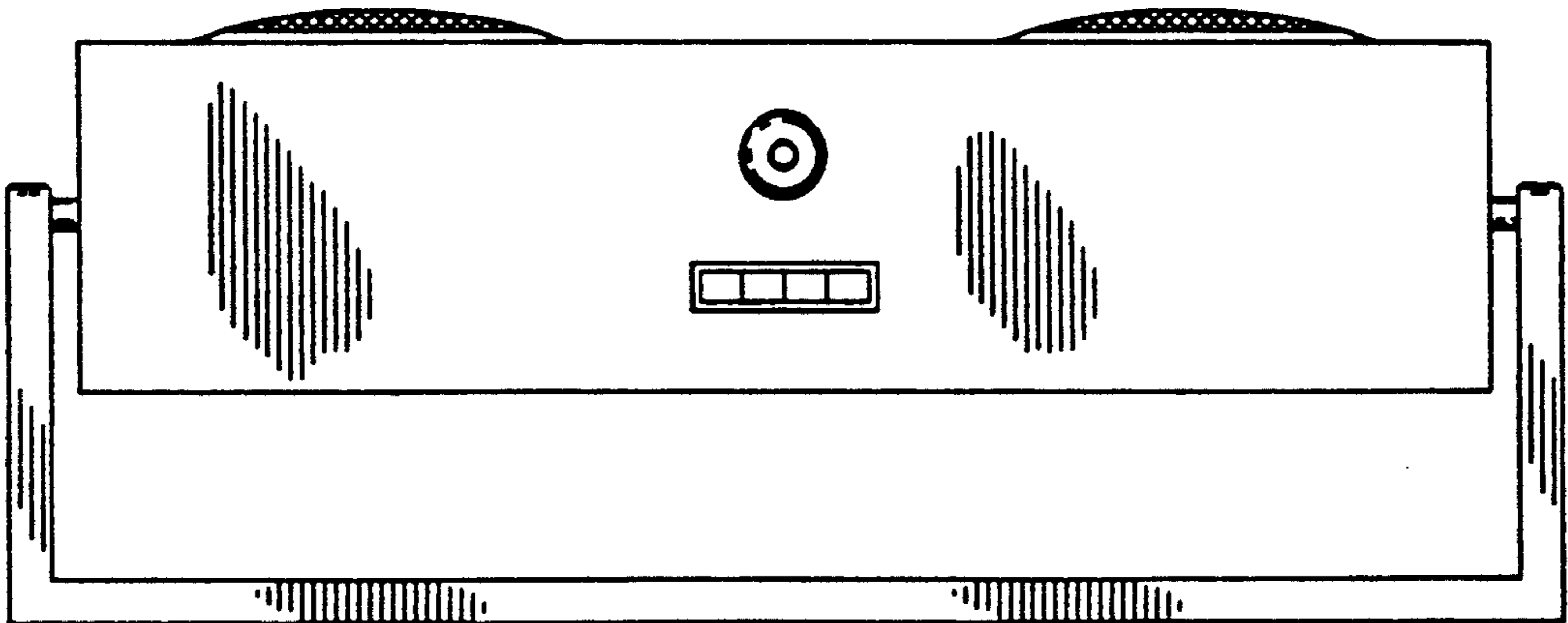


FIG. 3

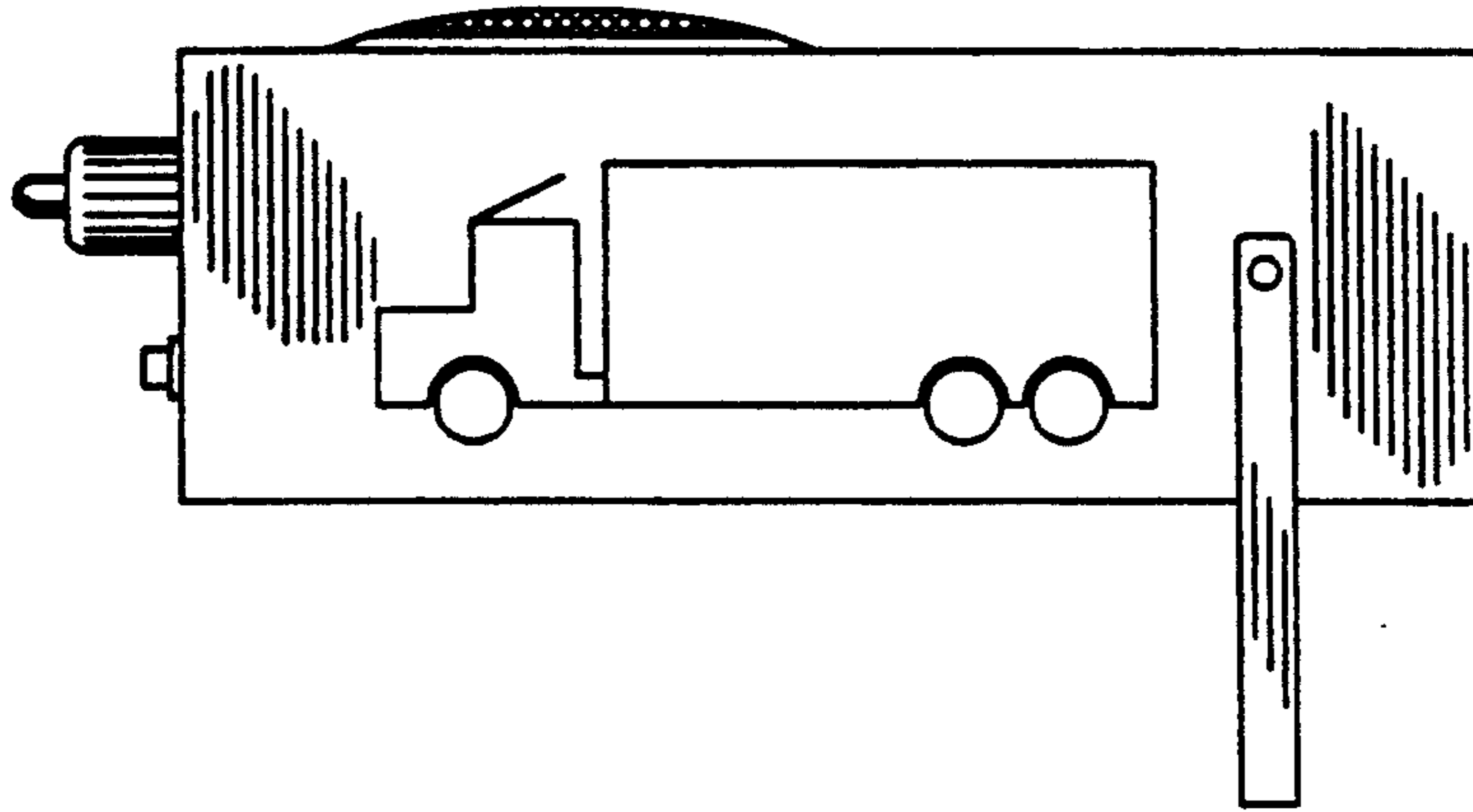


FIG. 4

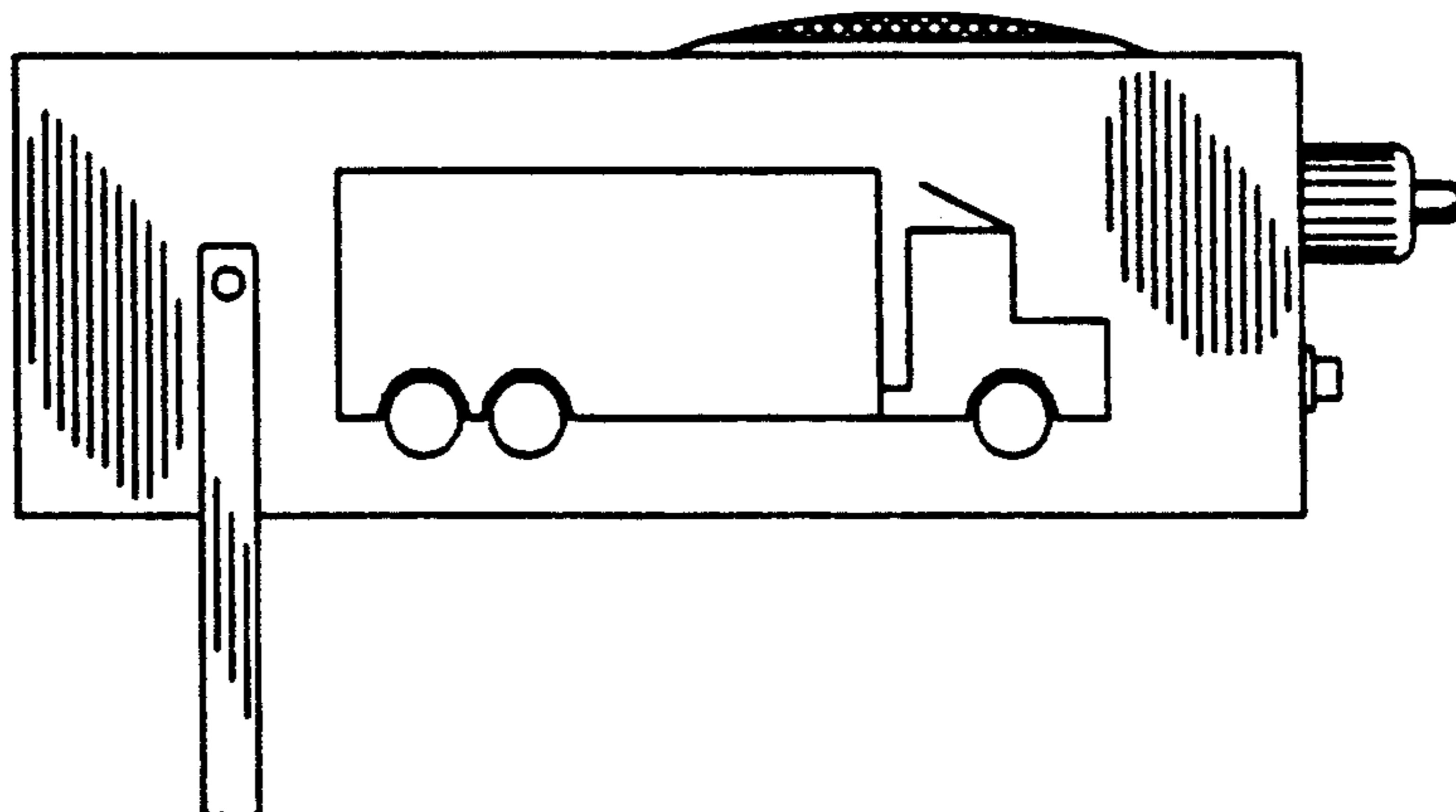


FIG. 5

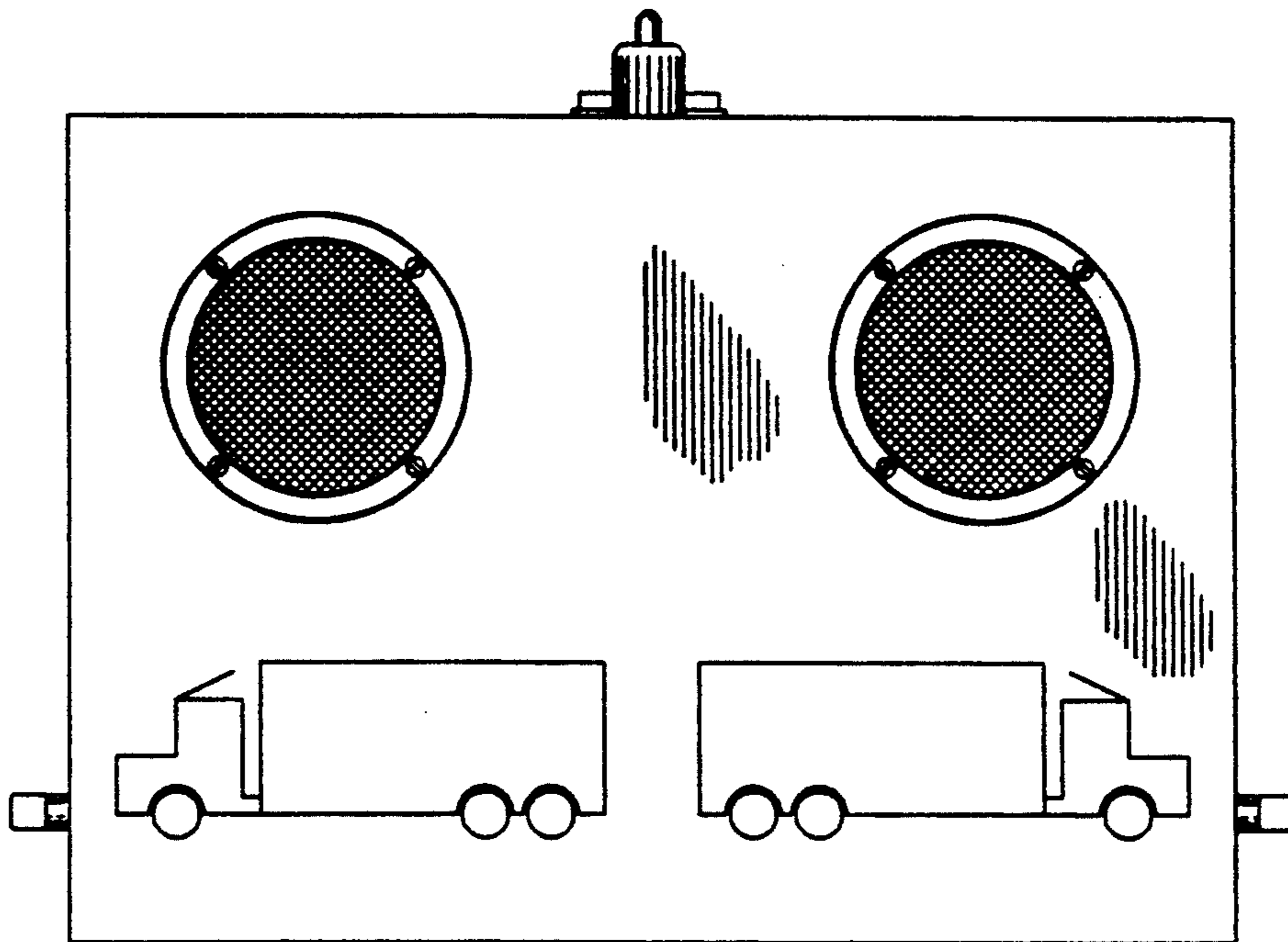


FIG. 6

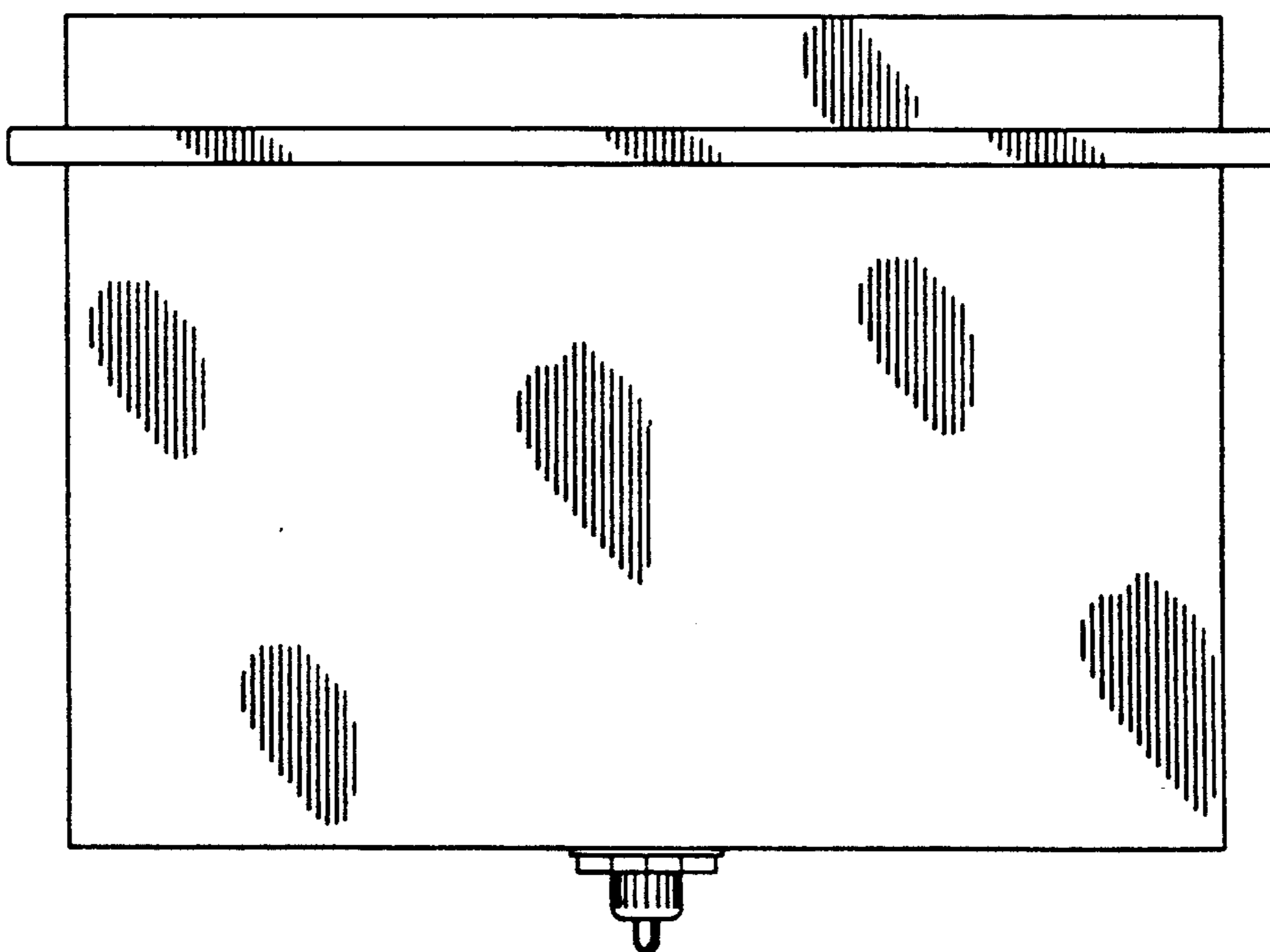


FIG. 7

