



US00D342249S

United States Patent [19]

[11] Patent Number: **Des. 342,249**

Beaumont et al.

[45] Date of Patent: **** Dec. 14, 1993**

[54] ENCLOSURE FOR A MULTI-UNIT CELLULAR BASE STATION

[75] Inventors: **Thomas G. Beaumont, Bedford; Albert M. Bolton, Jr., Ft. Worth; Roger P. Gandee, Azle, all of Tex.**

[73] Assignee: **Motorola, Inc., Schaumburg, Ill.**

[**] Term: **14 Years**

[21] Appl. No.: **937,199**

[22] Filed: **Aug. 31, 1992**

[52] U.S. Cl. **D14/142; D13/184**

[58] Field of Search **D14/140, 137, 138, 142, D14/149, 107, 240, 250, 100; D13/184; 379/428, 440, 441, 442, 419**

[56] **References Cited**

U.S. PATENT DOCUMENTS

- D. 275,101 8/1984 Read D14/240
- D. 275,752 10/1984 Mahan D14/240
- D/ 301,331 5/1989 Rhodin D13/107

- D. 305,717 1/1990 Soren et al. D14/250 X
- D. 306,583 3/1990 Krolopp et al. D14/137
- D. 307,908 5/1990 Pushelberg D13/184 X
- D. 311,389 10/1990 Festa et al. D13/184 X
- D. 316,375 4/1991 Tiedemann D13/184 X
- D. 324,858 3/1992 Ishida D14/107
- D. 332,261 1/1993 Mischenko et al. D14/137

Primary Examiner—Alan P. Douglas
Assistant Examiner—Jeffrey Asch
Attorney, Agent, or Firm—Raymond J. Warren

[57] **CLAIM**

The ornamental design for an enclosure for a multi-unit cellular base station, as shown and described.

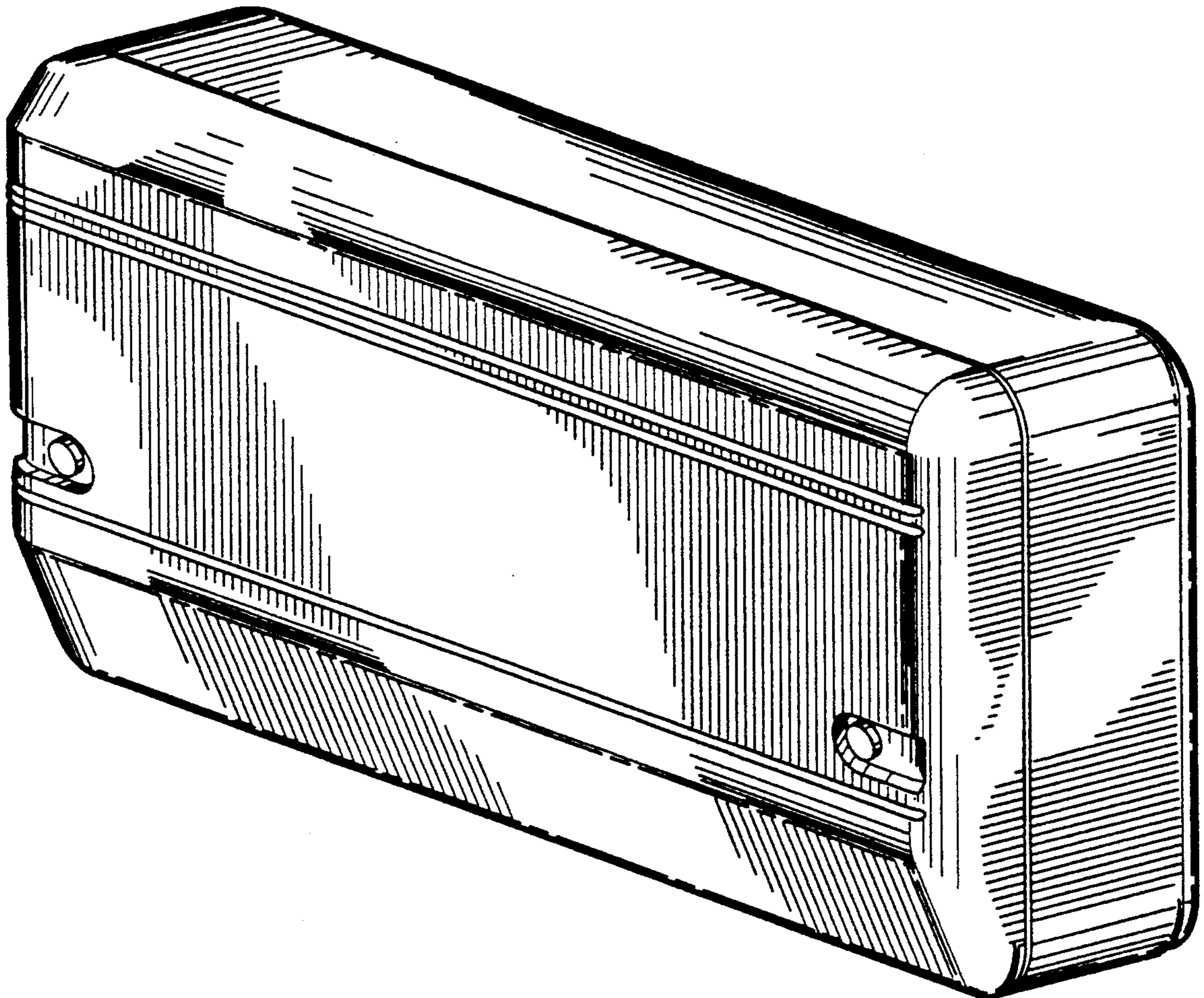
DESCRIPTION

FIG. 1 is a front, top, and right side perspective view showing our new design for an enclosure for a multi-unit cellular base station;

FIG. 2 is a left elevational view thereof;

FIG. 3 is a bottom elevational view thereof; and,

FIG. 4 is a back elevation view thereof.



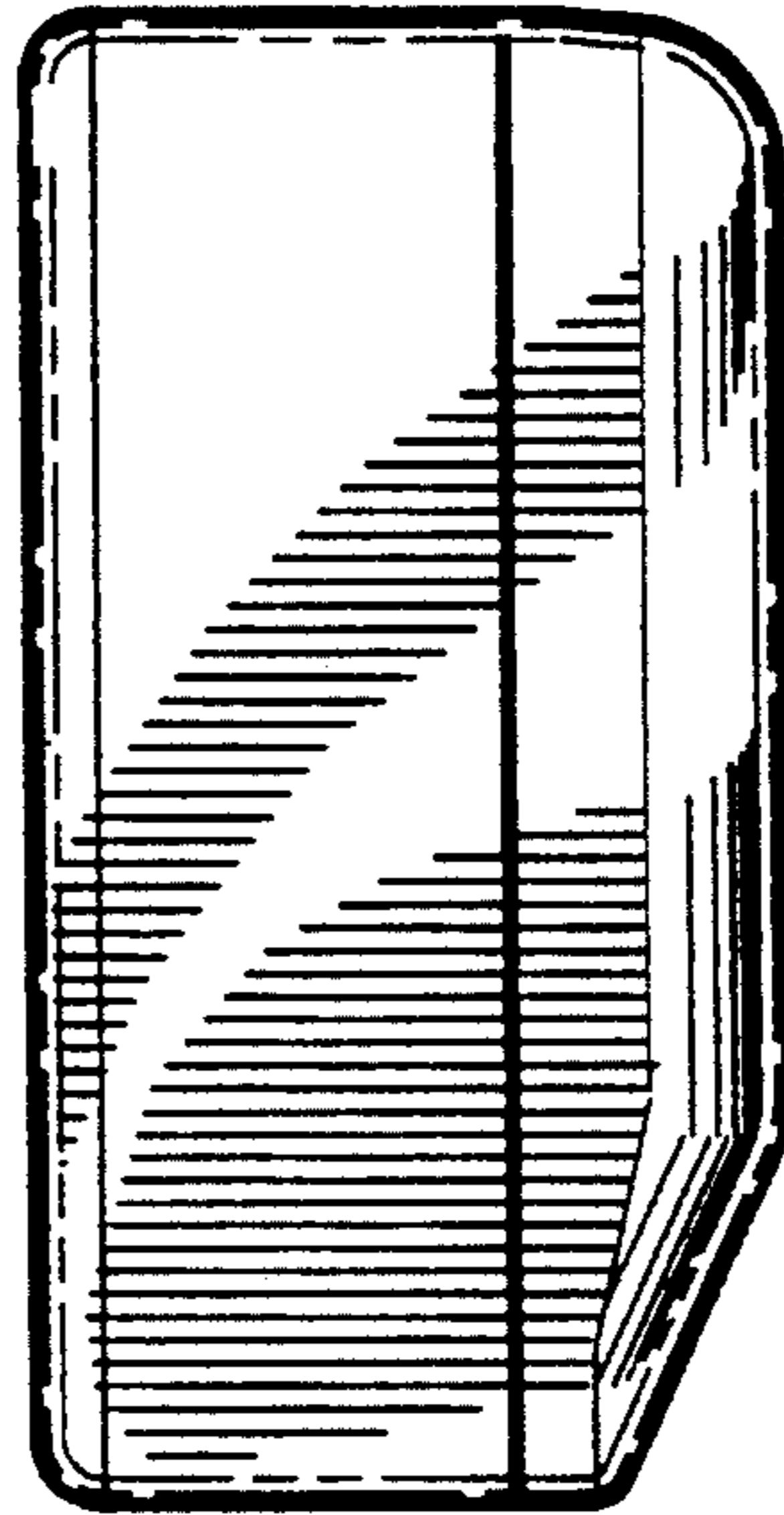


FIG. 2

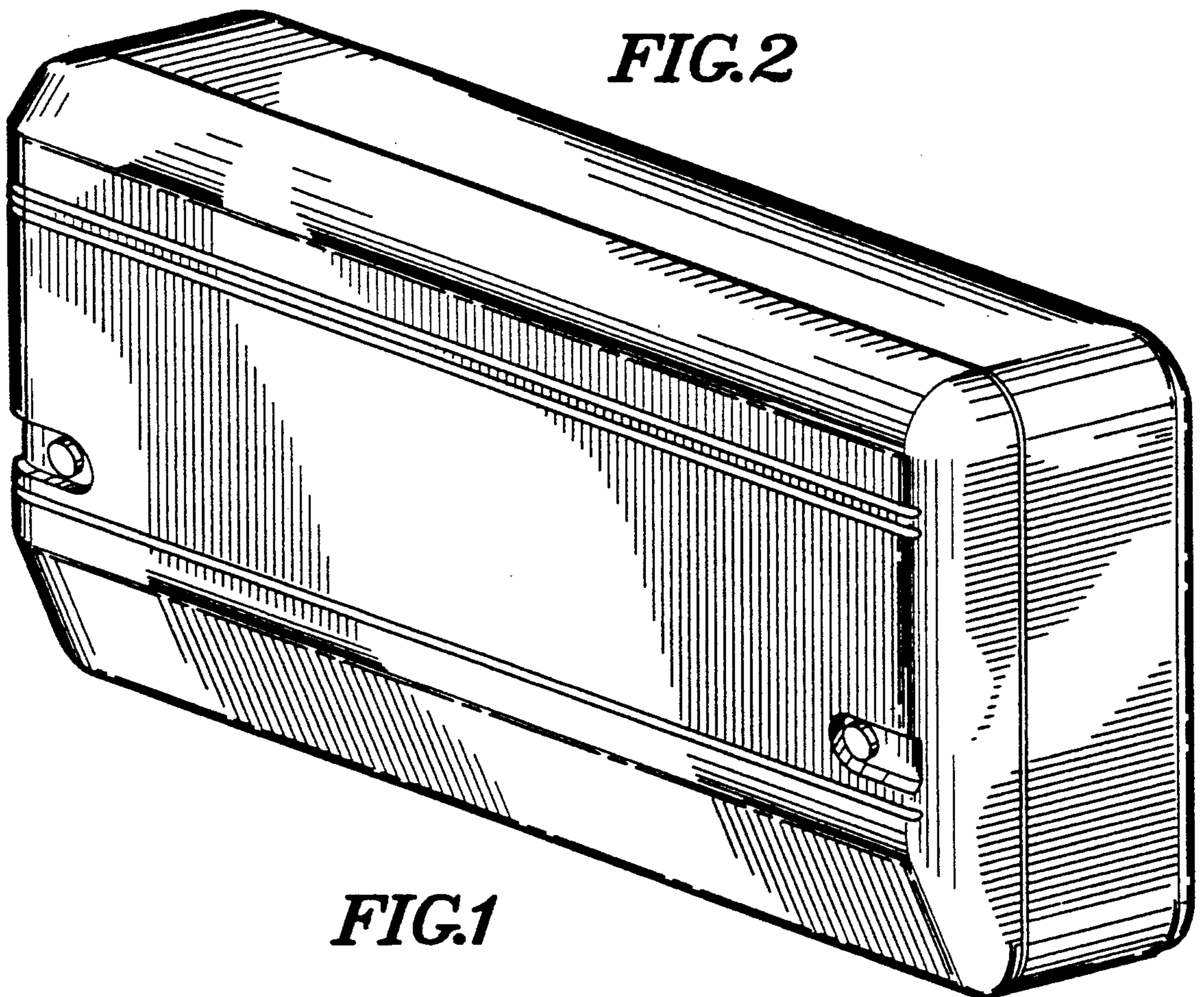


FIG. 1

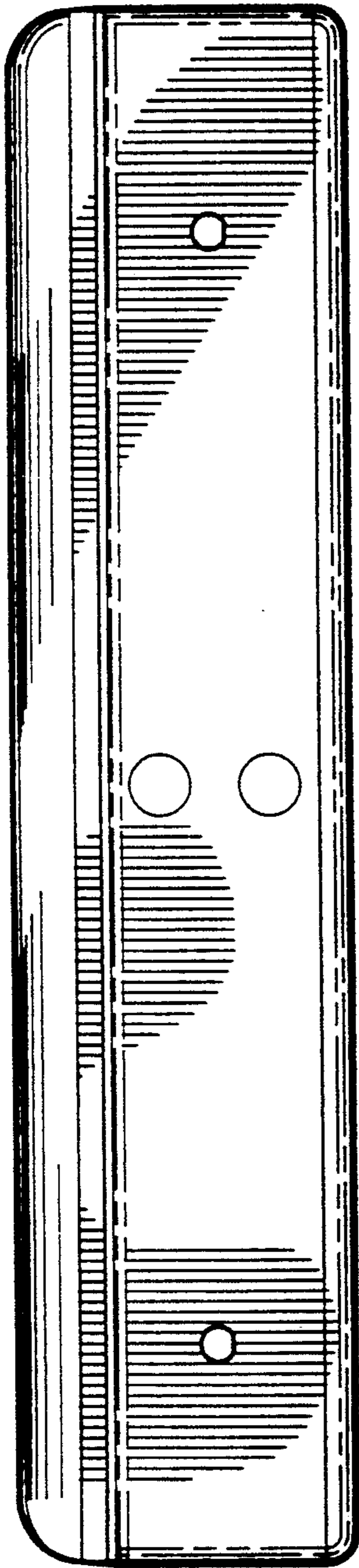


FIG. 3

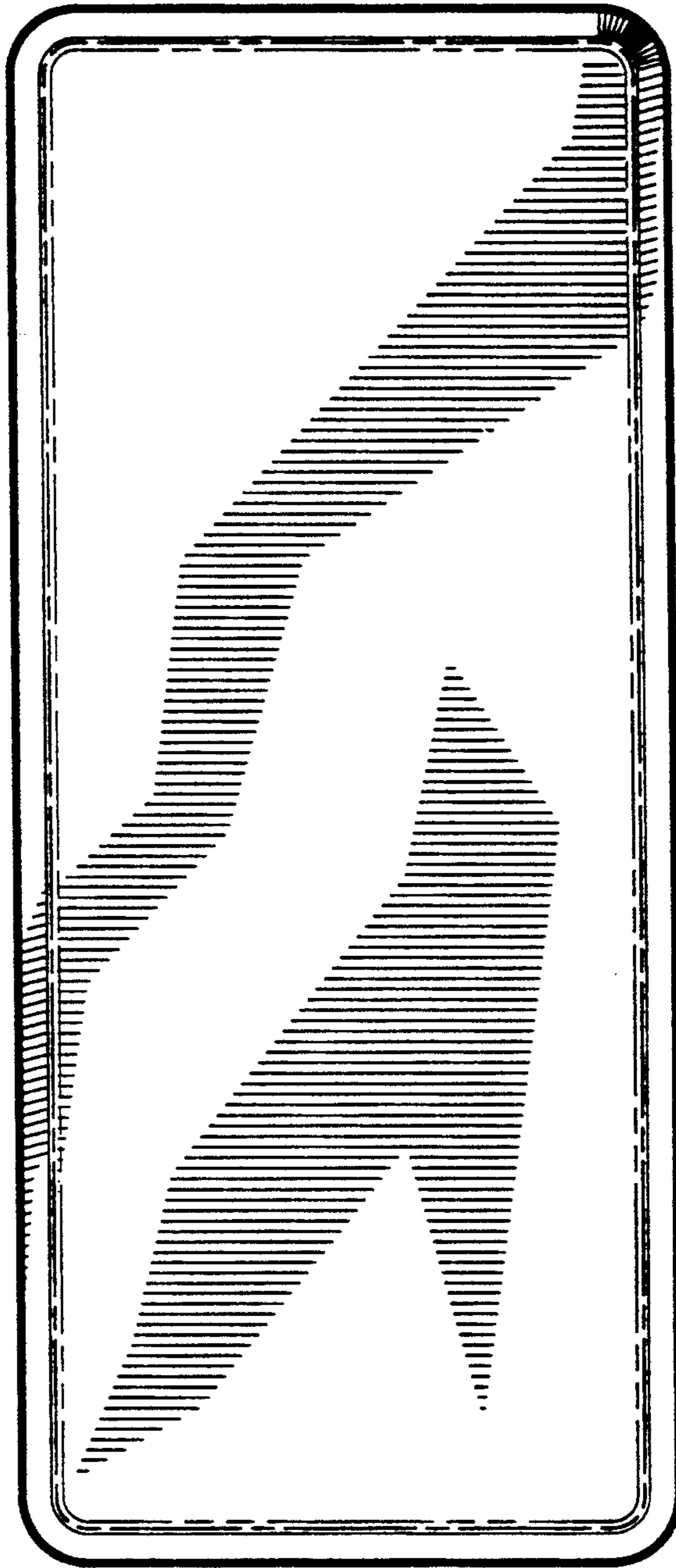


FIG. 4