



US00D342246S

# United States Patent [19]

[11] Patent Number: Des. 342,246

Gelardi et al.

[45] Date of Patent: \*\* Dec. 14, 1993

[54] COMBINED TAPE CASSETTE AND LABEL CARD

[75] Inventors: Anthony L. Gelardi, Cape Porpoise; Craig Lovecky, Old Orchard Beach, both of Me.; Alan B. Lowry, Canton, Mass.

[73] Assignee: Shape Inc., Biddeford, Me.

[\*\*] Term: 14 Years

[21] Appl. No.: 540,564

[22] Filed: Jun. 20, 1990

- D. 271,298 11/1983 Fujimoto ..... D14/121 X
- D. 271,392 11/1983 Sumisha et al. .... D14/121
- D. 276,567 11/1984 Yoshizawa .
- D. 302,553 8/1989 Koike et al. .
- D. 304,031 10/1989 Nishiyama et al. .... D14/121
- D. 304,452 11/1989 Gelardi et al. .
- D. 304,582 11/1989 Nakaizumi .
- D. 307,139 4/1990 Fukuda et al. .... D14/121
- 4,883,176 11/1989 Hart et al. .
- 4,889,296 12/1989 Watanabe et al. .... 242/199
- 4,969,612 11/1990 Thomas .
- 5,054,616 10/1991 Gelardi et al. .
- 5,092,536 3/1992 Gelardi et al. .

Primary Examiner—Theodore M. Shooman  
Attorney, Agent, or Firm—Staas & Halsey

### Related U.S. Application Data

[63] Continuation-in-part of Ser. No. 471,075, Jan. 29, 1990, Pat. No. Des. 335,126, and a continuation-in-part of Ser. No. 458,563, Dec. 28, 1989, abandoned.

[52] U.S. Cl. .... D14/121

[58] Field of Search ..... D14/114, 120, 121, 122; 242/71.8, 197-199

### [57] CLAIM

The ornamental design for a combined tape cassette and label card, as shown and described.

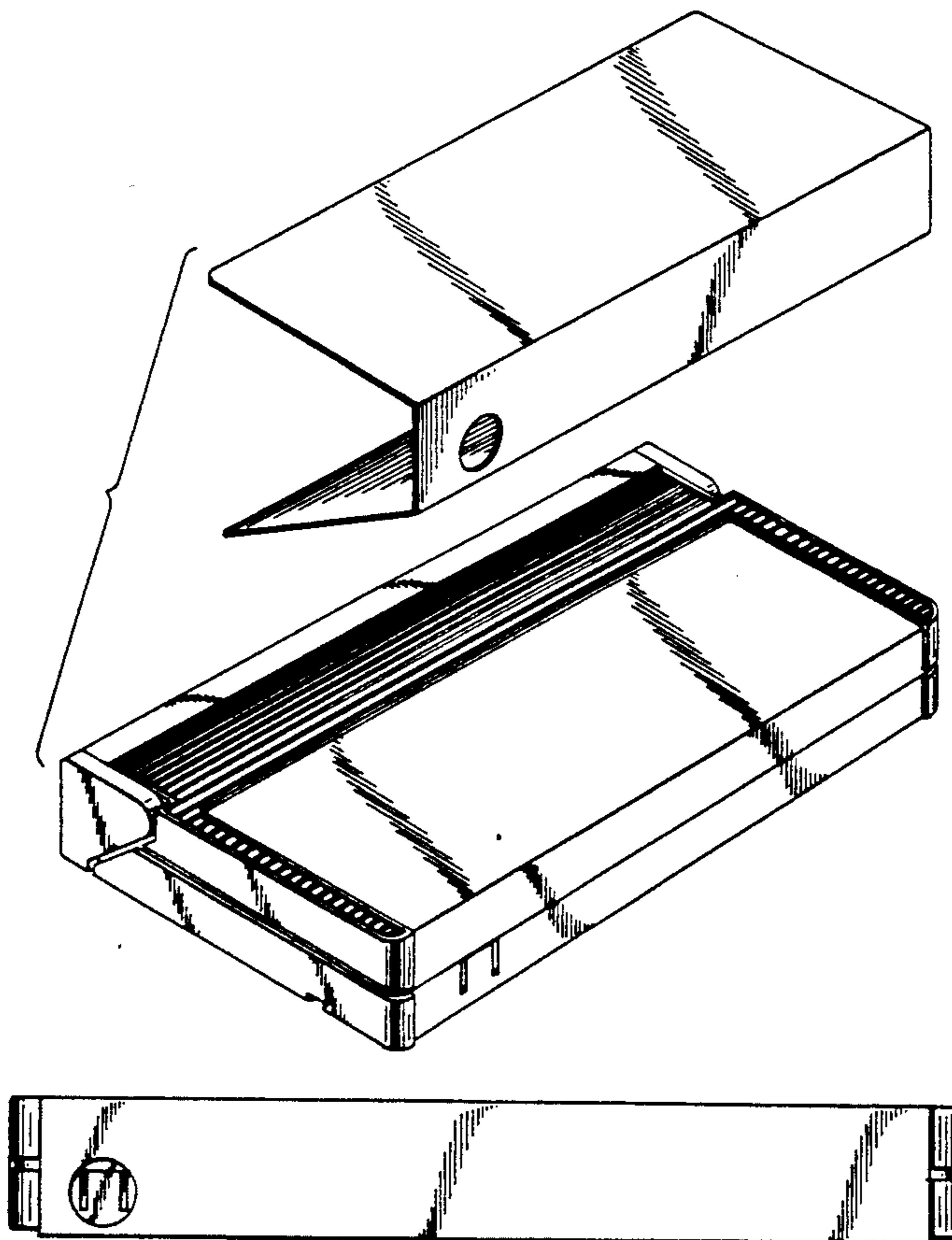
### DESCRIPTION

FIG. 1 is an exploded view of a combined tape cassette and label card showing our new design; FIG. 2 is a top plan view of the combined tape cassette and label card; FIG. 3 is a bottom plan view thereof; FIG. 4 is a front elevational view thereof; FIG. 5 is a rear elevational view thereof; and, FIG. 6 is a right side elevational view thereof, the left side being a mirror image thereof.

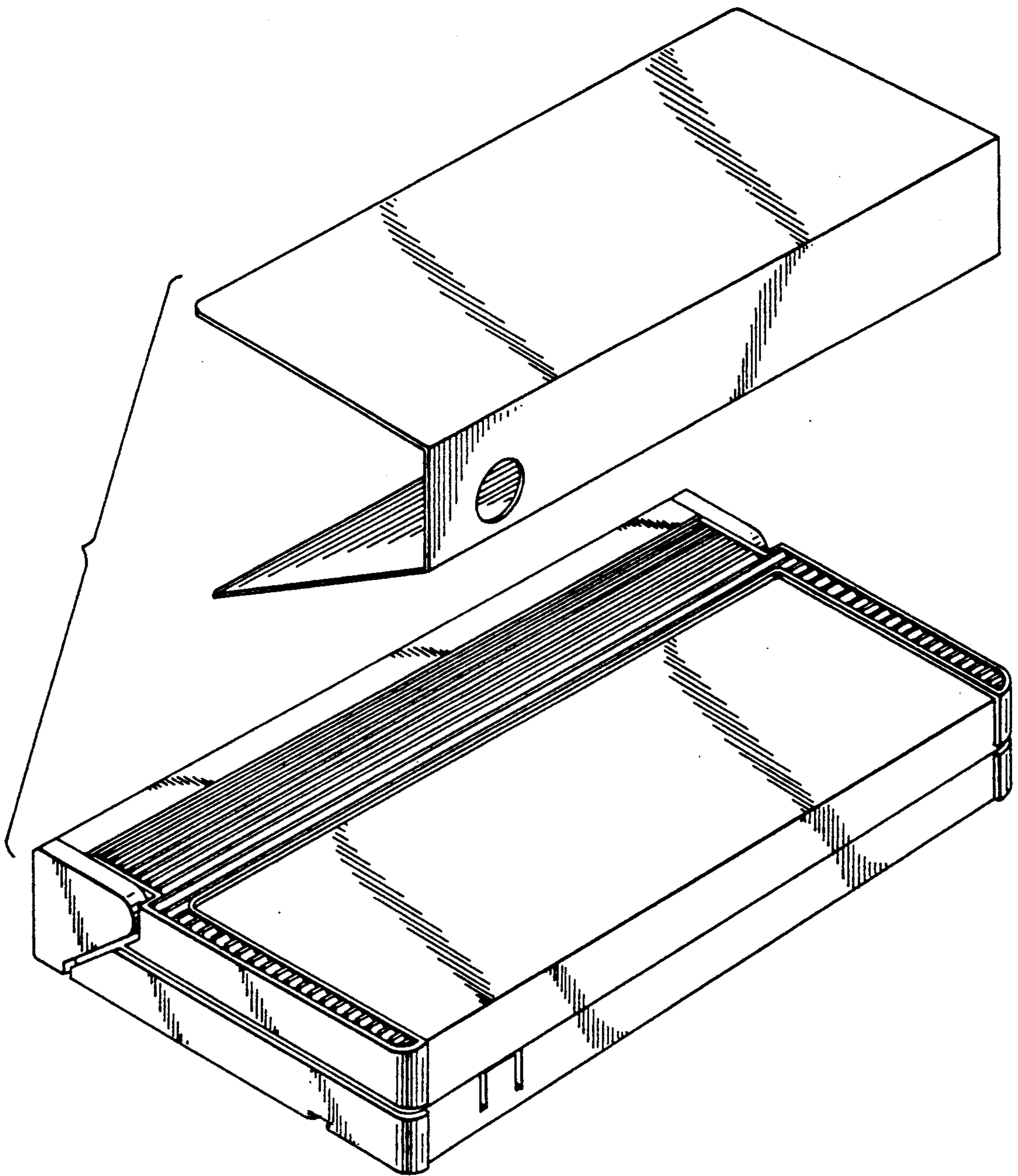
### [56] References Cited

#### U.S. PATENT DOCUMENTS

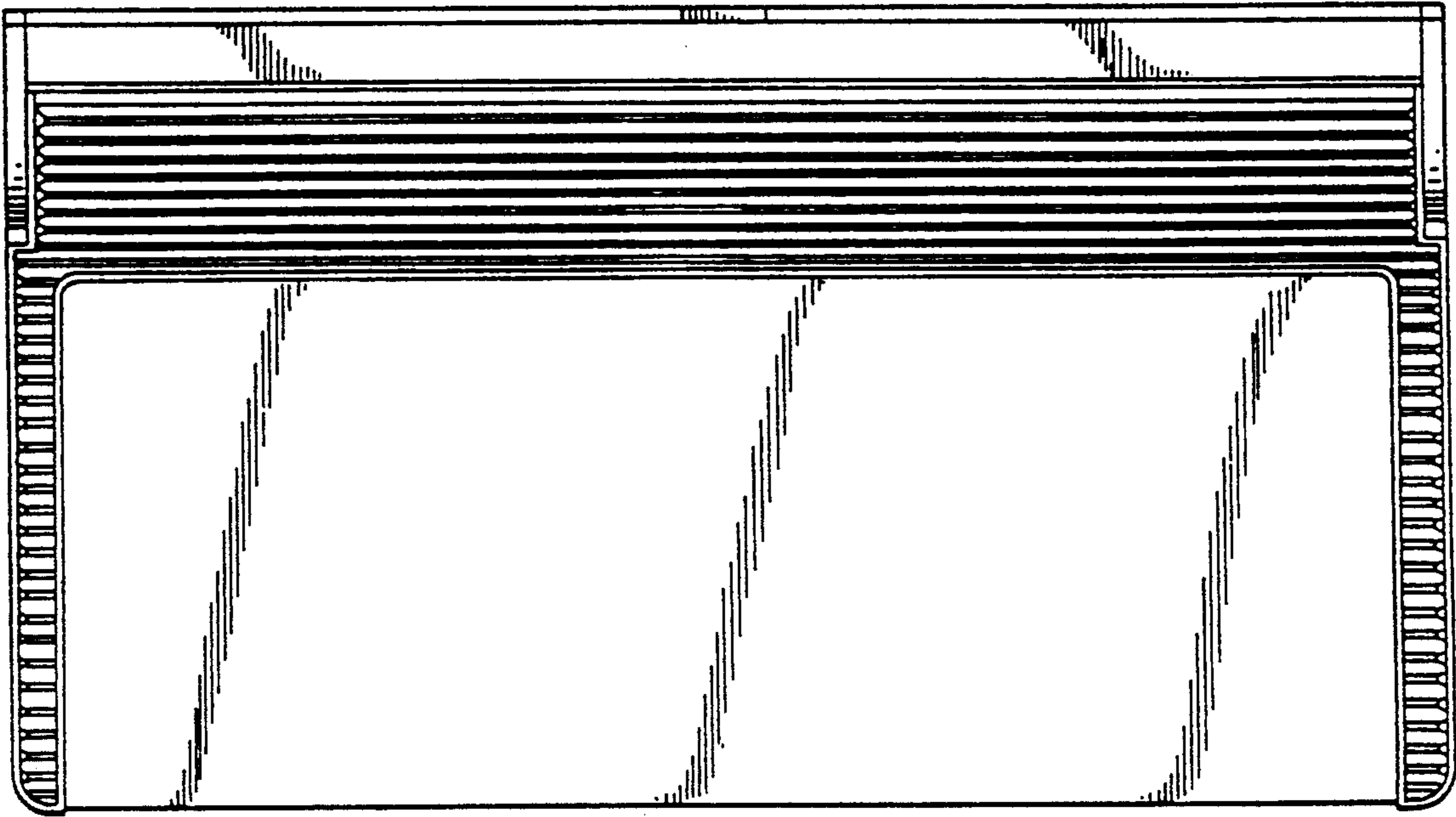
- D. 250,474 12/1978 Nishigaki .
- D. 256,912 9/1980 Lonberger .
- D. 262,369 12/1981 Hatakeyama .
- D. 266,419 10/1982 Hashimoto et al. .



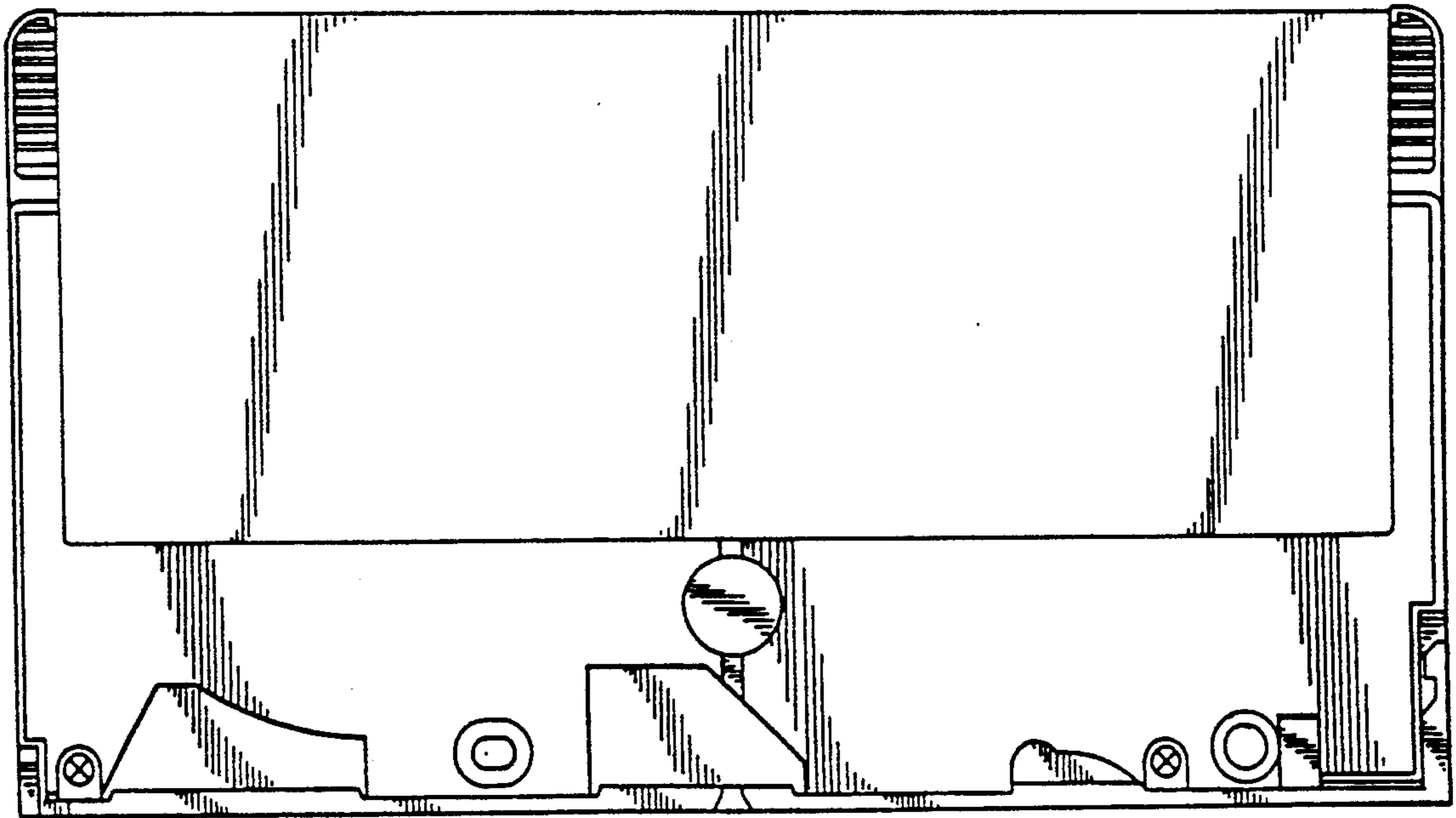
*FIG. 1*



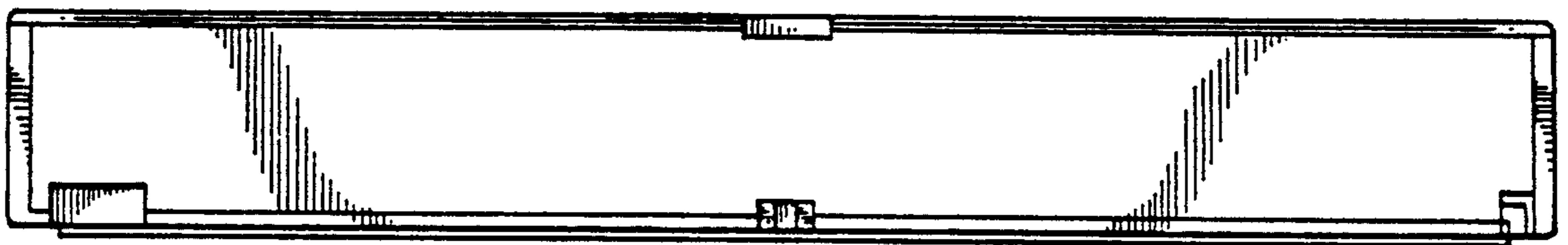
**FIG. 2**



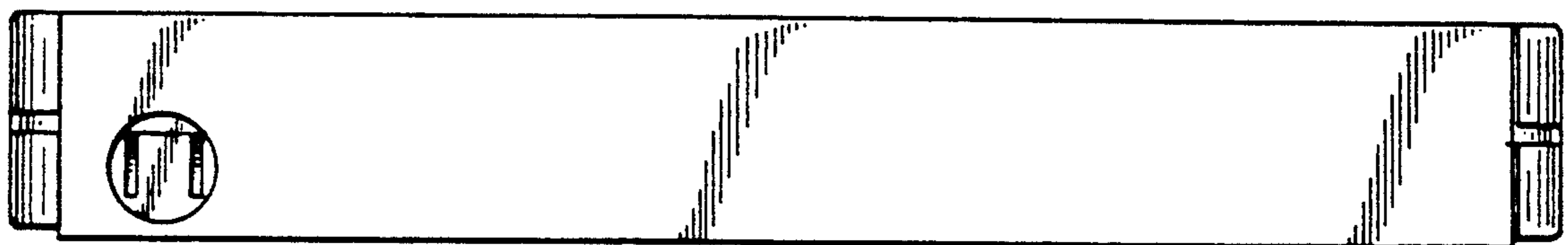
**FIG. 3**



**FIG. 4**



**FIG. 5**



**FIG. 6**

