



US00D342245S

# United States Patent [19]

[11] Patent Number: **Des. 342,245**

**Krichever et al.**

[45] Date of Patent: **\*\* Dec. 14, 1993**

[54] **OPTICAL SCANNER**

[75] Inventors: **Mark Krichever, Hauppauge; Mike Savona, Coram, both of N.Y.; Ralph Bentley, Dublin, Ohio**

[73] Assignee: **Symbol Technologies, Inc., Bohemia, N.Y.**

[\*\*] Term: **14 Years**

[21] Appl. No.: **908,016**

[22] Filed: **Jul. 2, 1992**

[52] U.S. Cl. .... **D14/116**

[58] Field of Search ..... **D14/114, 116; 235/375, 235/378, 385, 454, 462, 472, 486; 354/80-82; 382/58-69; 250/203.1, 216, 566, 568; D26/37, 45, 50**

[56] **References Cited**

**U.S. PATENT DOCUMENTS**

- D. 305,885 2/1990 Barkan et al. .... D14/116
- D. 307,138 4/1990 Knowles ..... D14/116
- D. 327,882 7/1992 George et al. .... D14/115

- D. 330,708 11/1992 LaManna et al. .... D14/116
- D. 335,662 5/1993 Shepard ..... D14/116
- 4,766,299 8/1988 Tierney et al. .... 235/472
- 4,954,817 9/1990 Levine ..... 340/706
- 5,107,100 4/1992 Shepard et al. .... 235/472
- 5,142,131 8/1992 Collins, Jr. et al. .... 235/462 X
- 5,191,197 3/1993 Metlitsky ..... 235/462 X

*Primary Examiner*—Wallace R. Burke

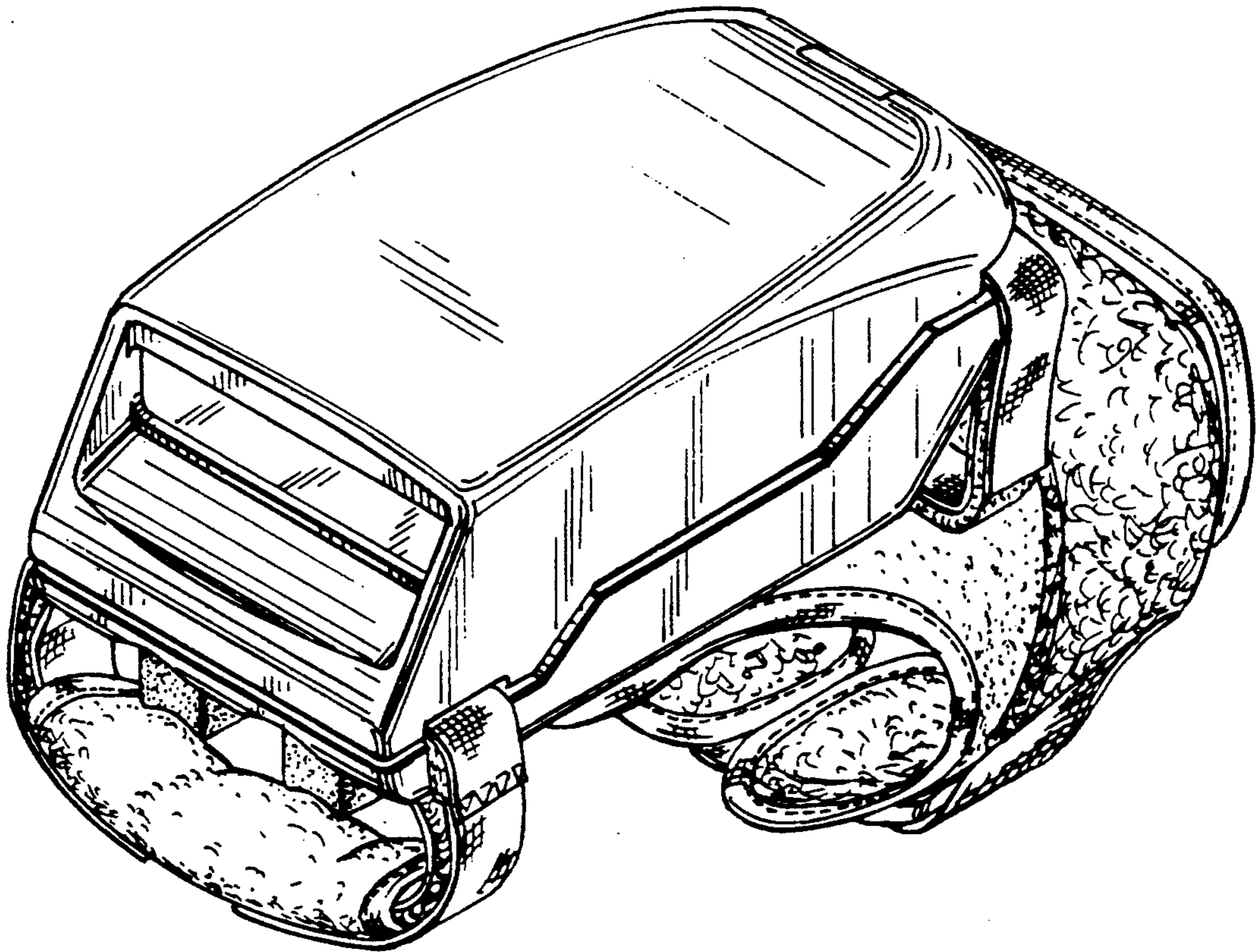
*Assistant Examiner*—M. H. Tung

[57] **CLAIM**

The ornamental design for a optical scanner, as shown and described.

**DESCRIPTION**

FIG. 1 is a top, front, left side perspective view of an optical scanner showing our new design;  
 FIG. 2 is an top plan view thereof;  
 FIG. 3 is an front elevational view thereof;  
 FIG. 4 is an left side elevational view thereof;  
 FIG. 5 is an right side elevational view thereof;  
 FIG. 6 is an rear elevational view thereof; and,  
 FIG. 7 is an bottom plan view thereof.



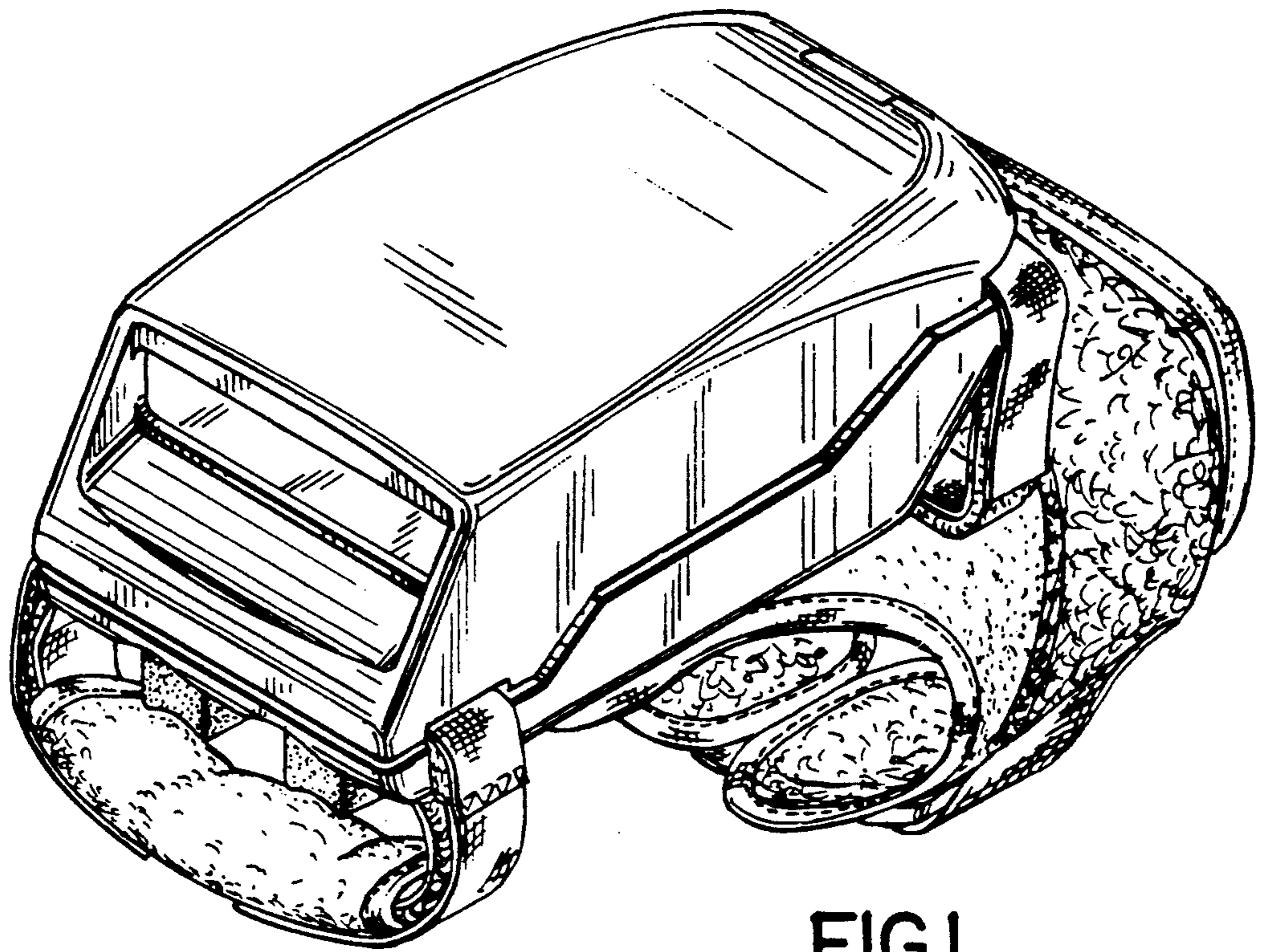


FIG. 1

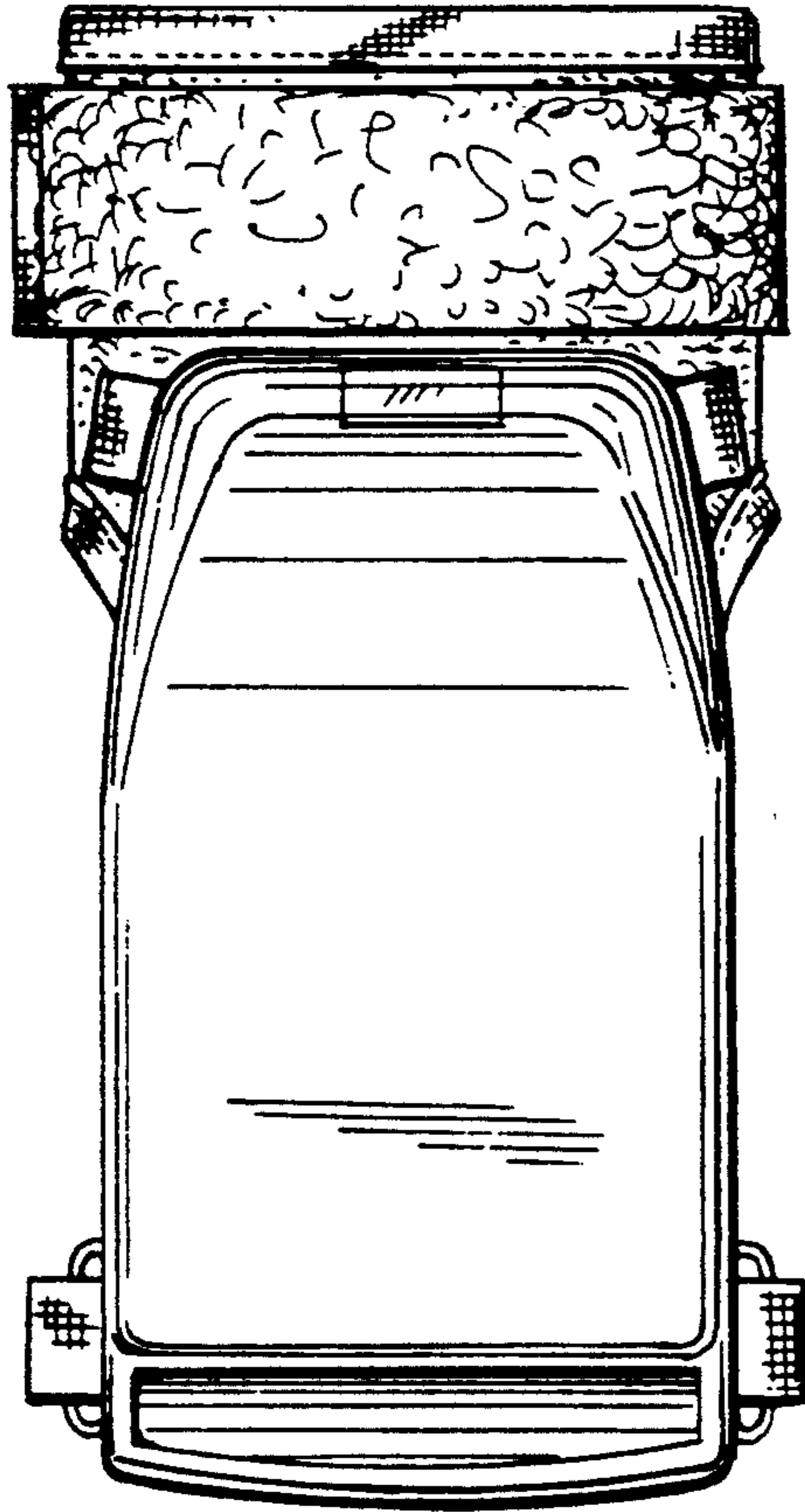


FIG. 2

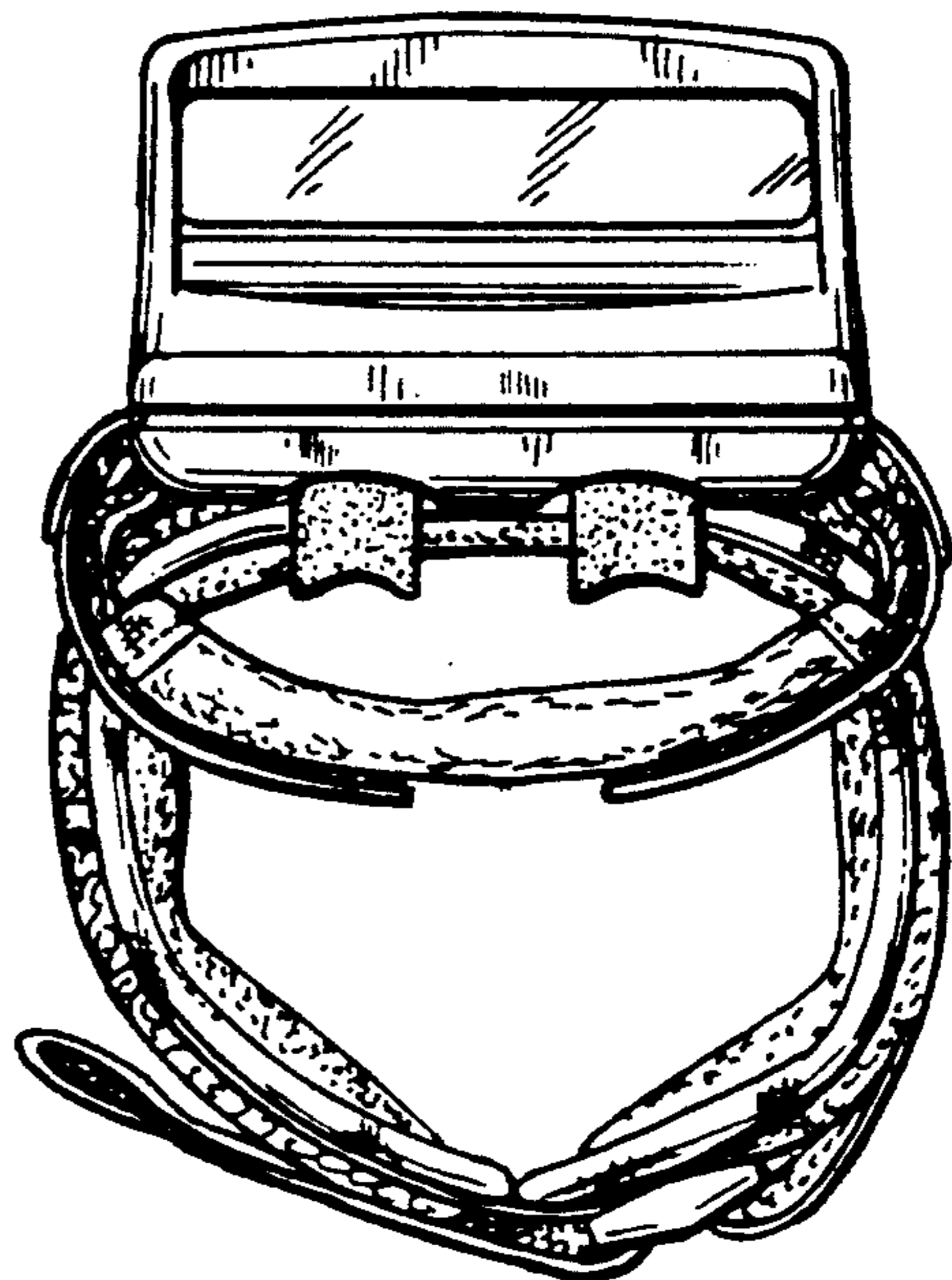


FIG. 3

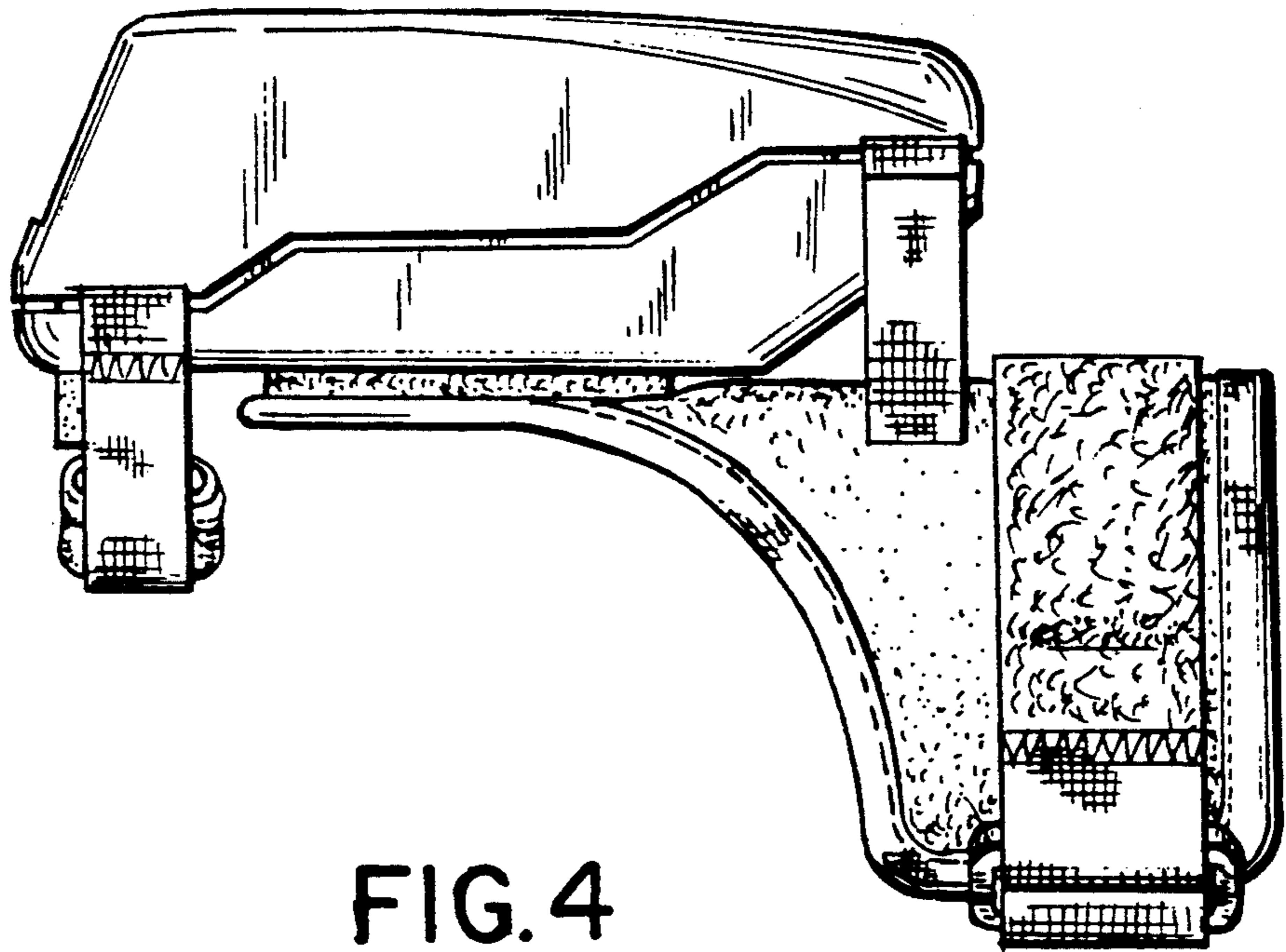


FIG. 4

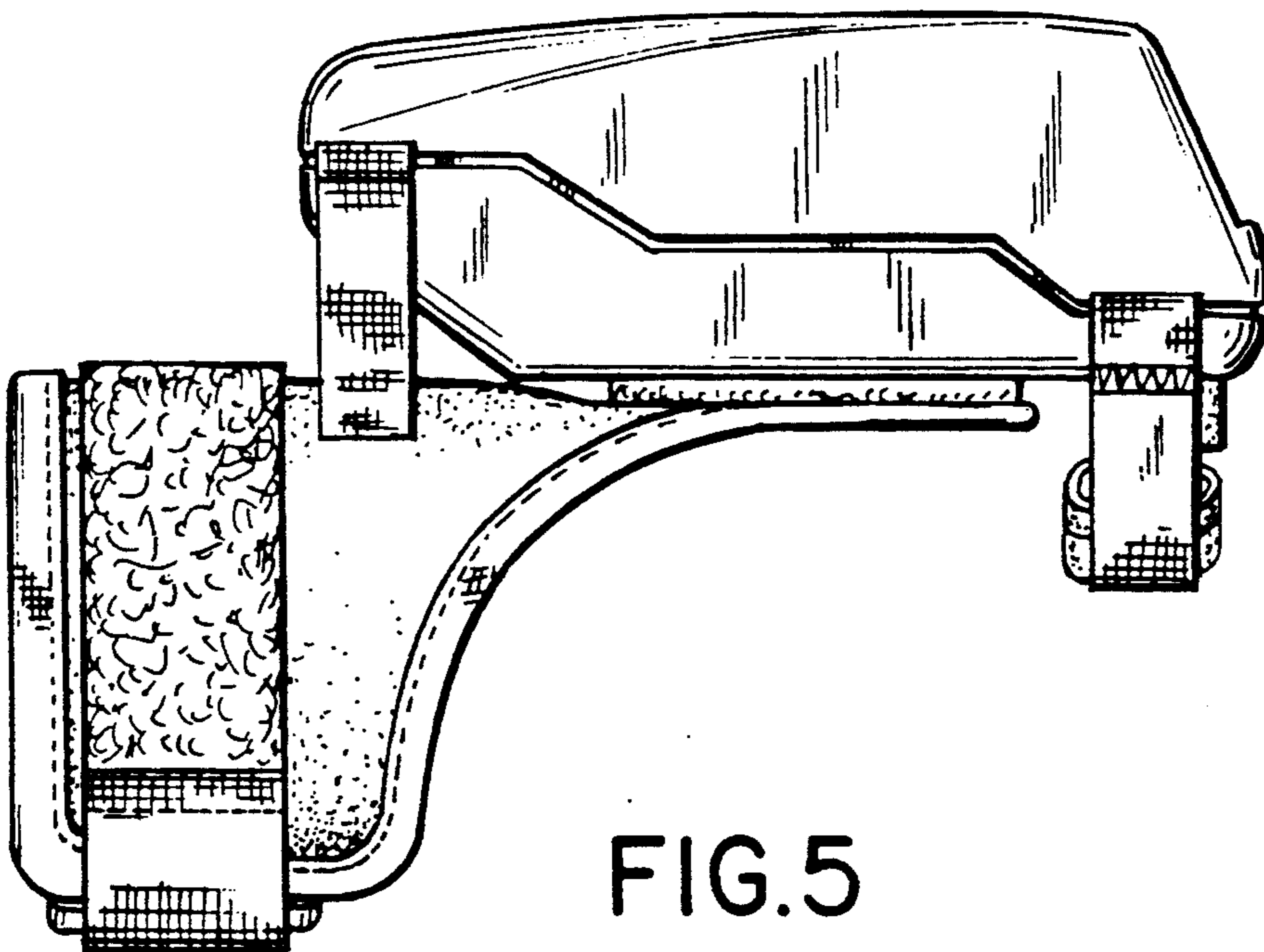


FIG. 5

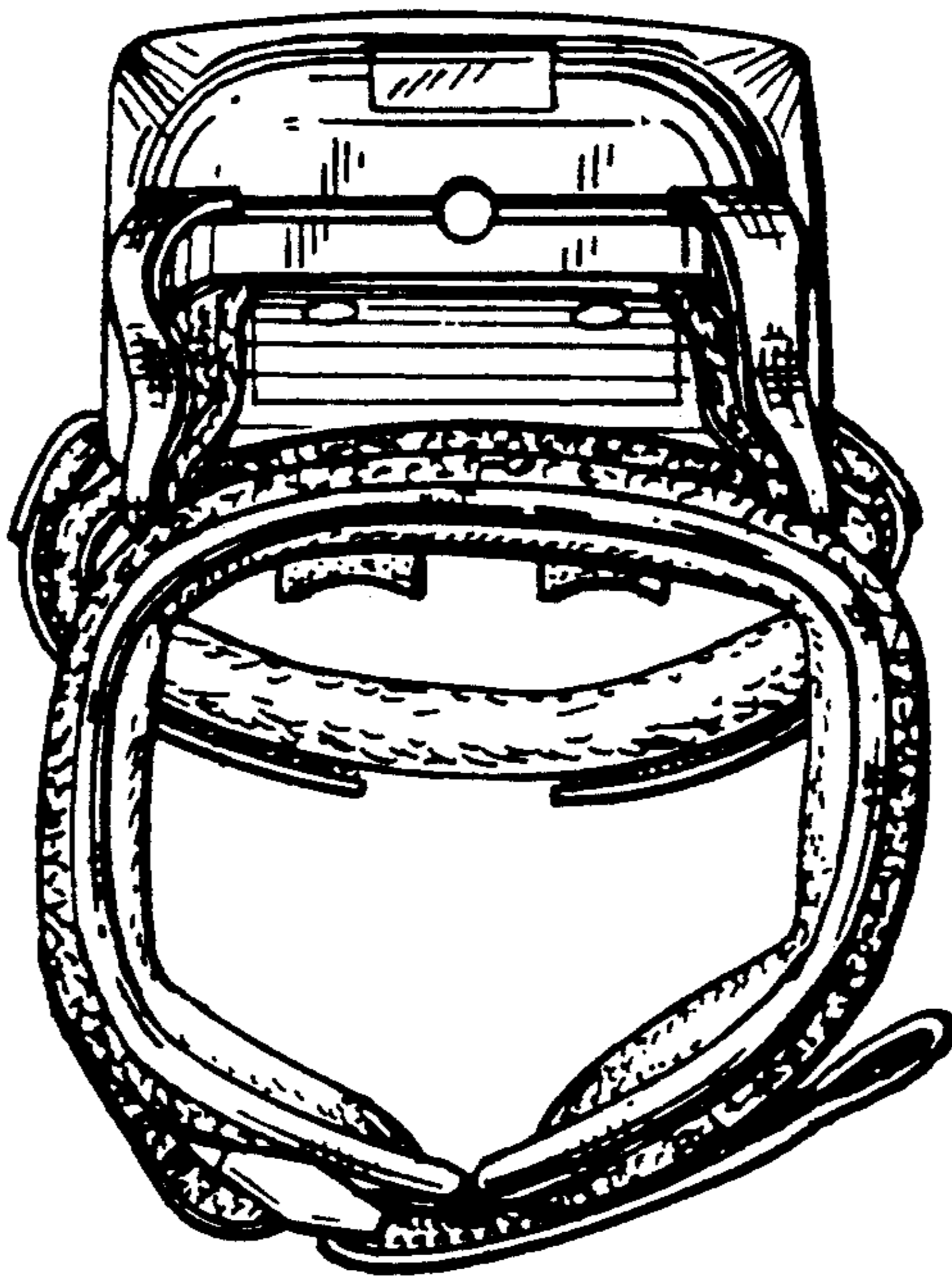


FIG. 6

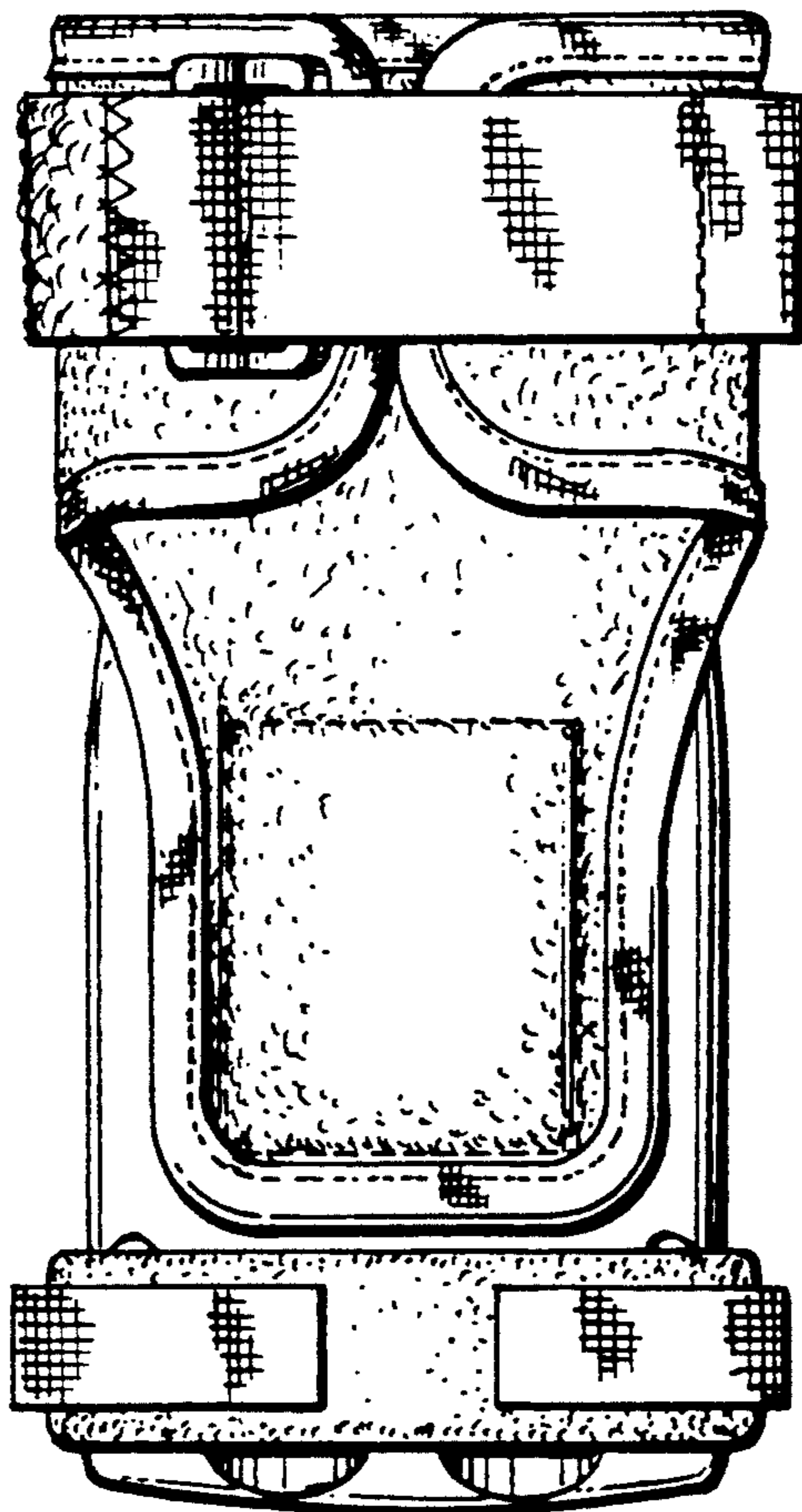


FIG. 7