



US00D342242S

United States Patent [19]

[11] Patent Number: **Des. 342,242**

Hassel et al.

[45] Date of Patent: **** Dec. 14, 1993**

[54] **COMBINED KEYBOARD SUPPORT AND WRIST REST**

[75] Inventors: **H. Charles Hassel, Los Angeles; Jeff A. Wielt, Lakewood; Gregory DuVall, Santa Monica, all of Calif.**

[73] Assignee: **MicroComputer Accessories, Inc., Los Angeles, Calif.**

[**] Term: **14 Years**

[21] Appl. No.: **683,184**

[22] Filed: **Apr. 12, 1991**

[52] U.S. Cl. **D14/114; D6/511; D6/501**

[58] Field of Search **D6/511, 491, 501; D8/380; 248/118, 118.1, 118.3, 118.5, 220.2, 345.1, 918, 176, 205.5, 205.3; D14/114**

[56] **References Cited**

U.S. PATENT DOCUMENTS

D. 283,960	5/1986	Giannotti et al.	D6/511
D. 285,270	8/1986	Hannah et al.	D6/511
D. 288,097	2/1987	Harter et al.	D14/114
D. 293,055	12/1987	Wright et al.	D6/510
D. 293,530	1/1988	Wright et al.	D6/510
D. 328,598	8/1992	Massey	D14/114
3,300,250	1/1967	Dollgener et al.	297/411
4,481,556	11/1984	Berke et al.	248/118 X
4,482,063	11/1984	Berke et al.	248/118 X
4,511,111	4/1985	Godfrey et al.	D6/511 X
4,688,862	8/1987	Fowler et al.	312/325

4,693,444	9/1987	Williams et al.	248/653
4,735,394	4/1988	Facco	248/653
4,913,390	4/1990	Berke	248/176
5,040,760	8/1991	Singer	248/284
5,163,646	11/1972	Engelhardt	248/118

OTHER PUBLICATIONS

Sell Sheet, Keyboard Drawer, MicroComputer Accessories Inc., 5405 Jandy Place, P.O. Box 66911, Los Angeles, California 90066. Publication date 1986.

Sell Sheet, Keyboard Storage Drawers and Stands, MicroComputer Accessories Inc., 5405 Jandy Place, P.O. Box 66911, Los Angeles, California 90066. Publication date 1986.

Primary Examiner—Nelson C. Holtje

Assistant Examiner—Martha Thompson

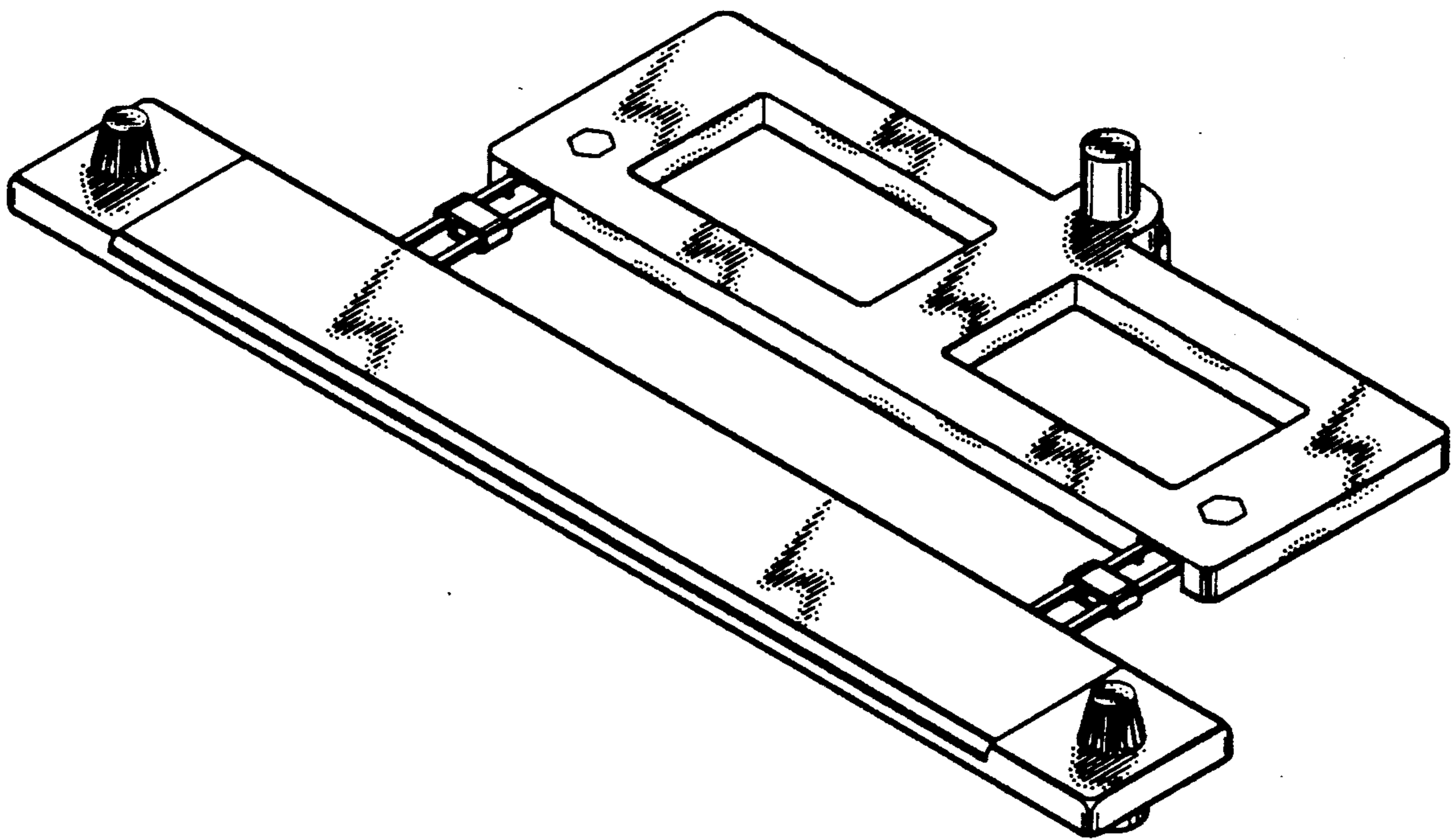
Attorney, Agent, or Firm—Richard B. O'Planick; Lisa B. Riedesel

[57] **CLAIM**

The ornamental design for a combined keyboard support and wrist rest, as shown and described.

DESCRIPTION

FIG. 1 is a front elevational view of a combined keyboard support and wrist rest showing my new design; FIG. 2 is a rear elevational view; FIG. 3 is a right side elevational view, the left side being a mirror image; FIG. 4 is a top plan view; FIG. 5 is a bottom plan view; and, FIG. 6 is a top, right front perspective view thereof.



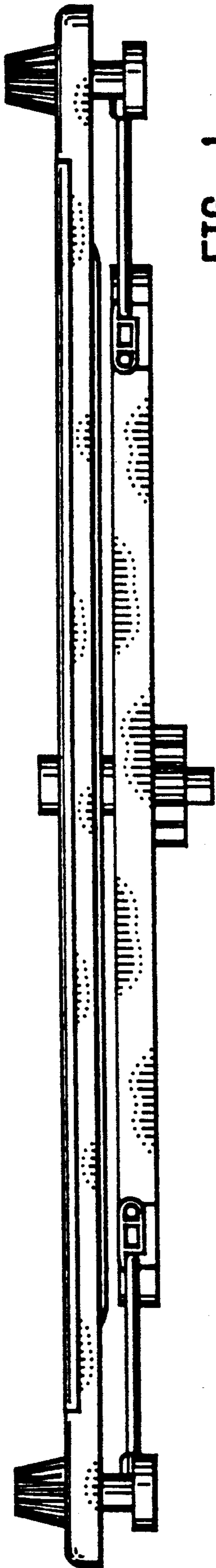


FIG. 1

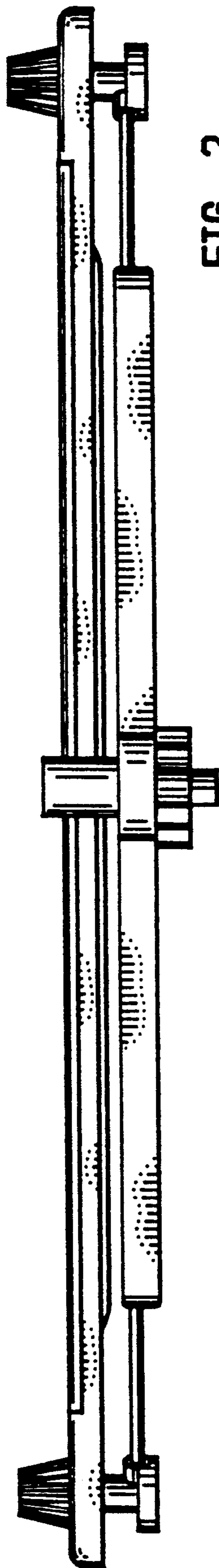


FIG. 2

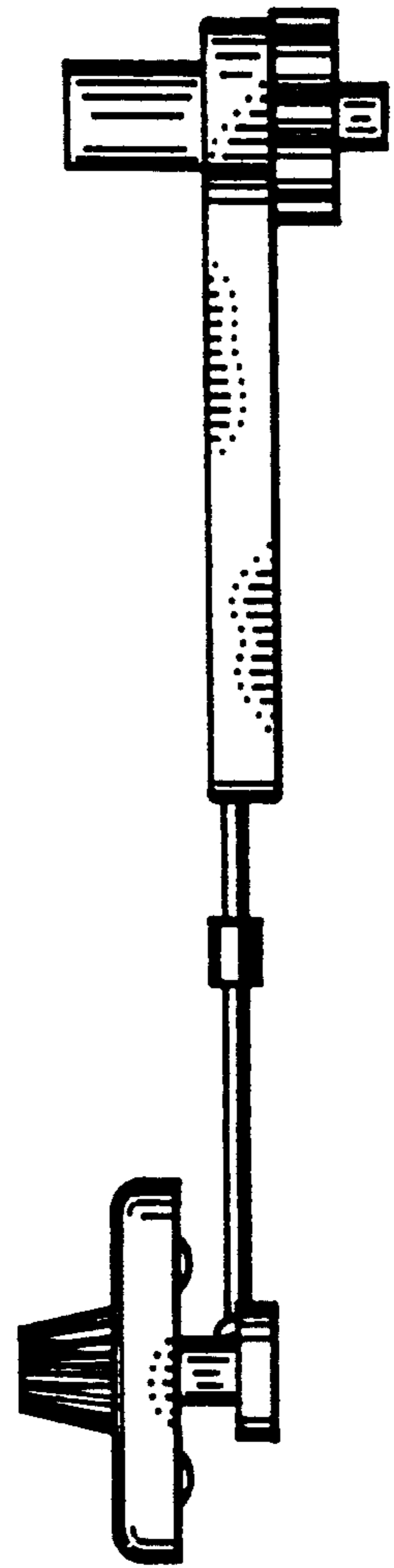


FIG. 3

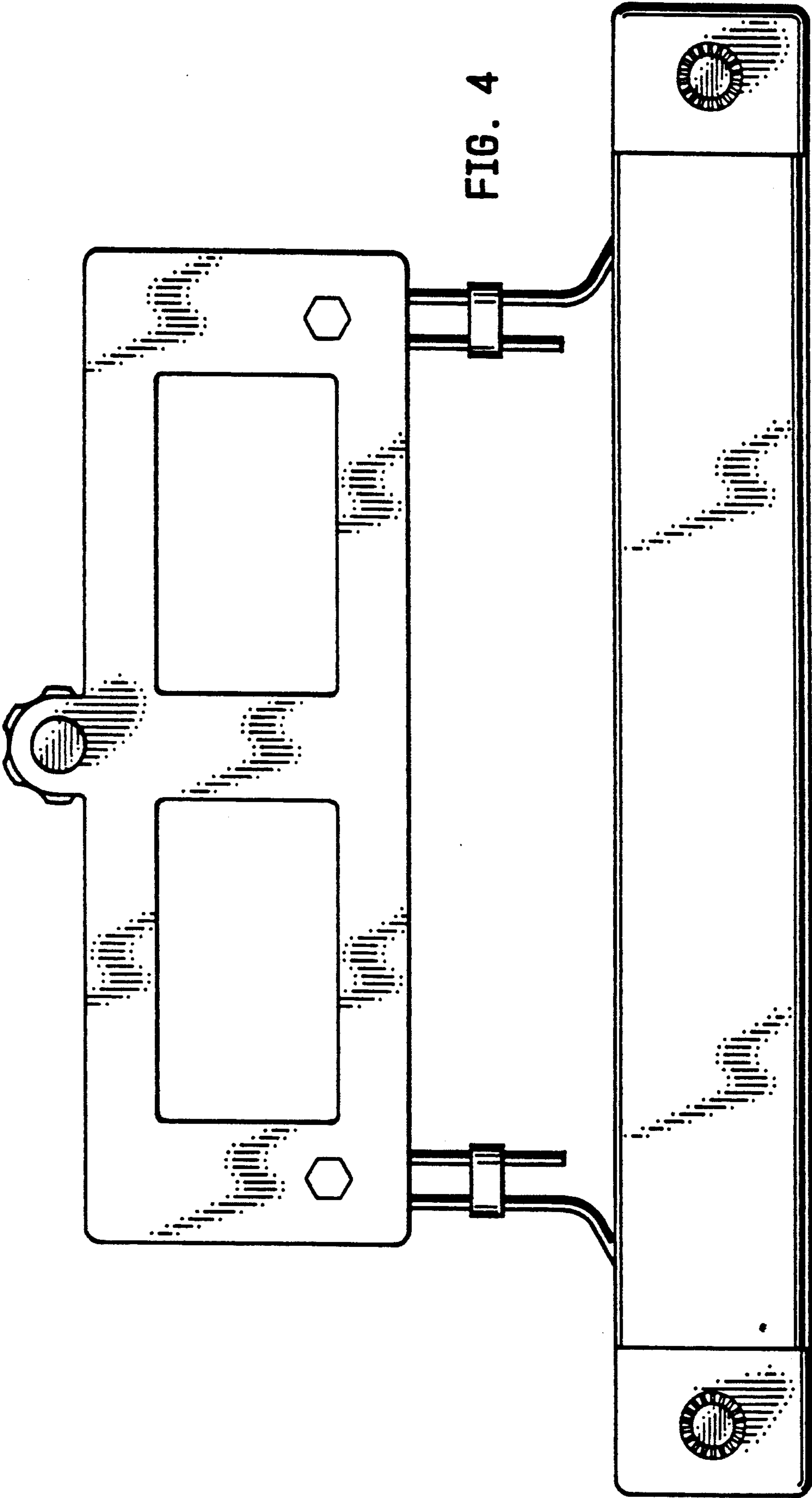
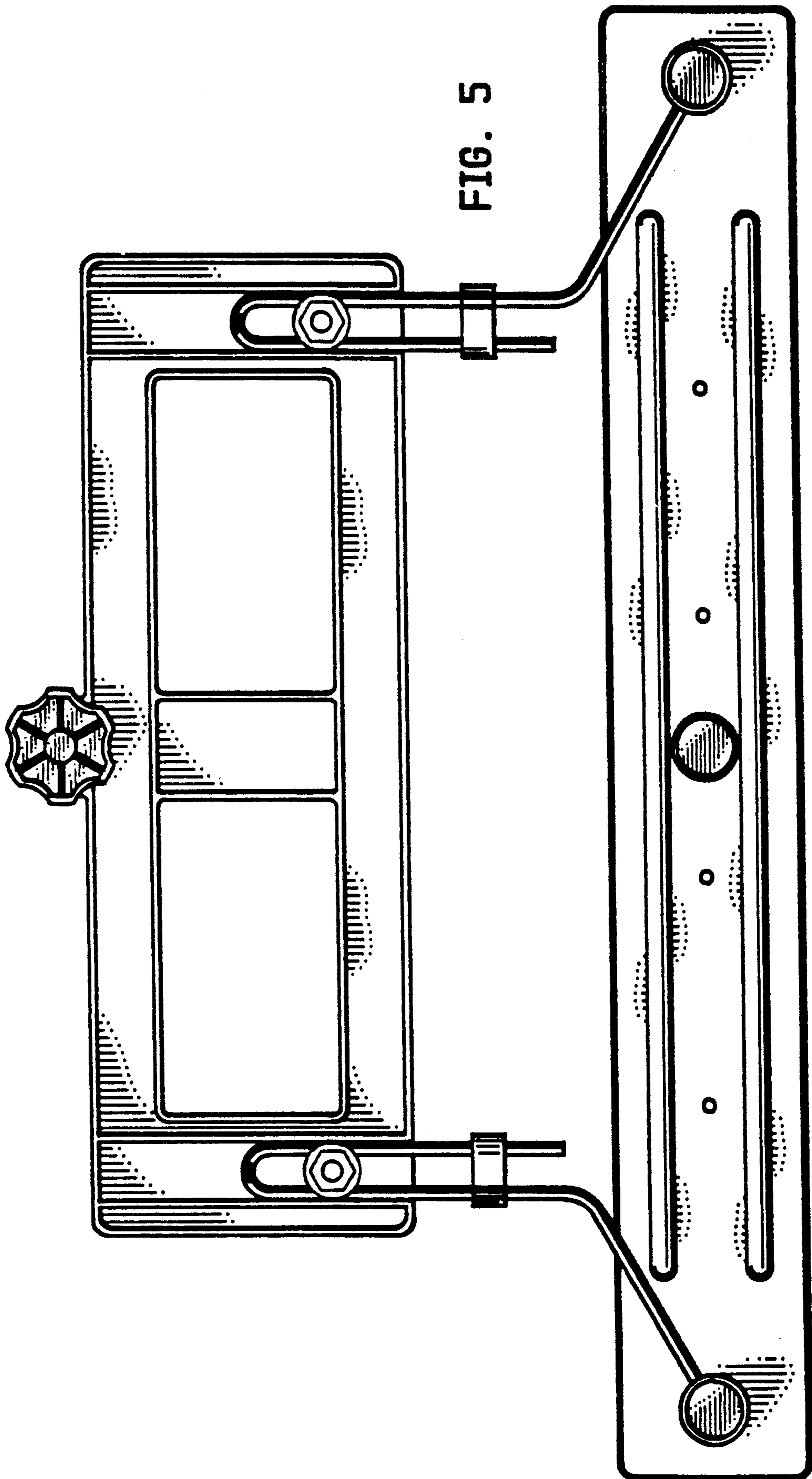


FIG. 4



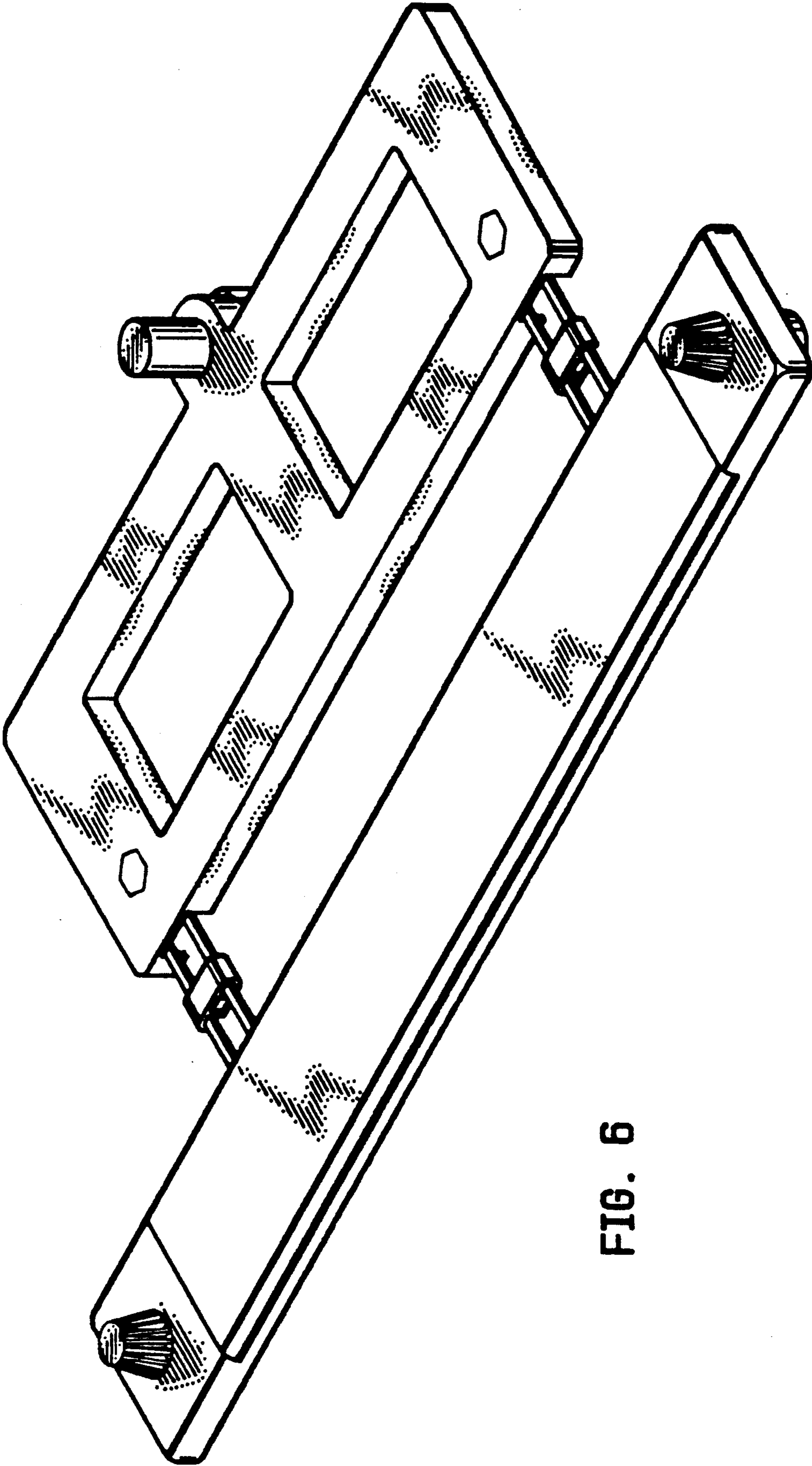


FIG. 6