



US00D342229S

# United States Patent [19] Ringle

[11] Patent Number: **Des. 342,229**

[45] Date of Patent: **\*\* Dec. 14, 1993**

[54] ANTI CHAIN WRAP UNIT FOR BICYCLES

5,207,619 5/1993 Klein et al. .... 474/101

[76] Inventor: **Geoffrey F. Ringle**, 203 Afton Ave.,  
Trenton, N.J. 08618

*Primary Examiner*—Wallace R. Burke  
*Assistant Examiner*—M. Brown  
*Attorney, Agent, or Firm*—Sperry, Zoda & Kane

[\*\*] Term: **14 Years**

[21] Appl. No.: **913,533**

[57] **CLAIM**

The ornamental design for an anti-chain wrap unit for bicycles, as shown.

[22] Filed: **Jul. 13, 1992**

[52] U.S. Cl. .... **D12/179**

[58] Field of Search ..... **D12/179; 474/80, 101,  
474/140, 144, 172**

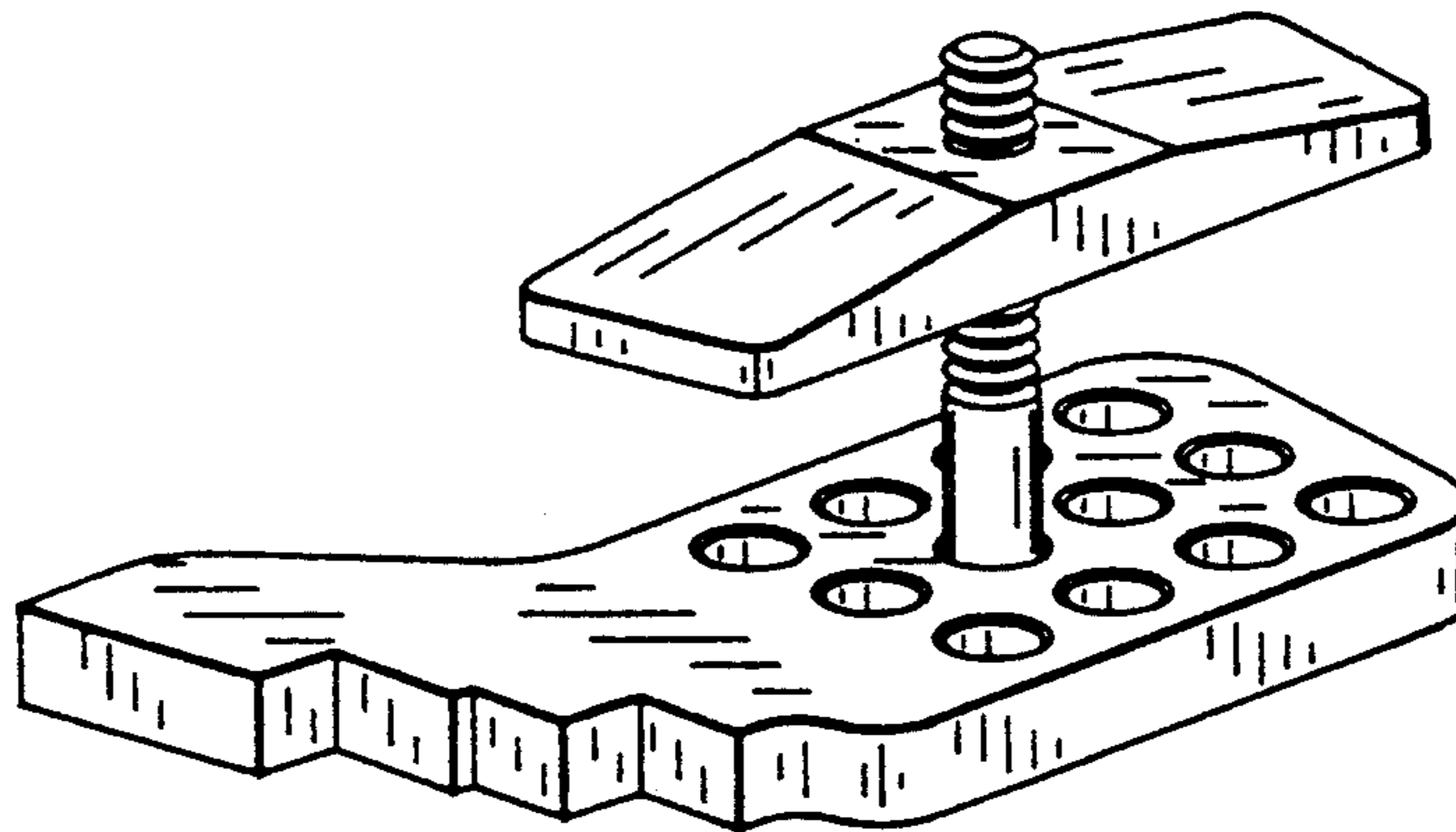
**DESCRIPTION**

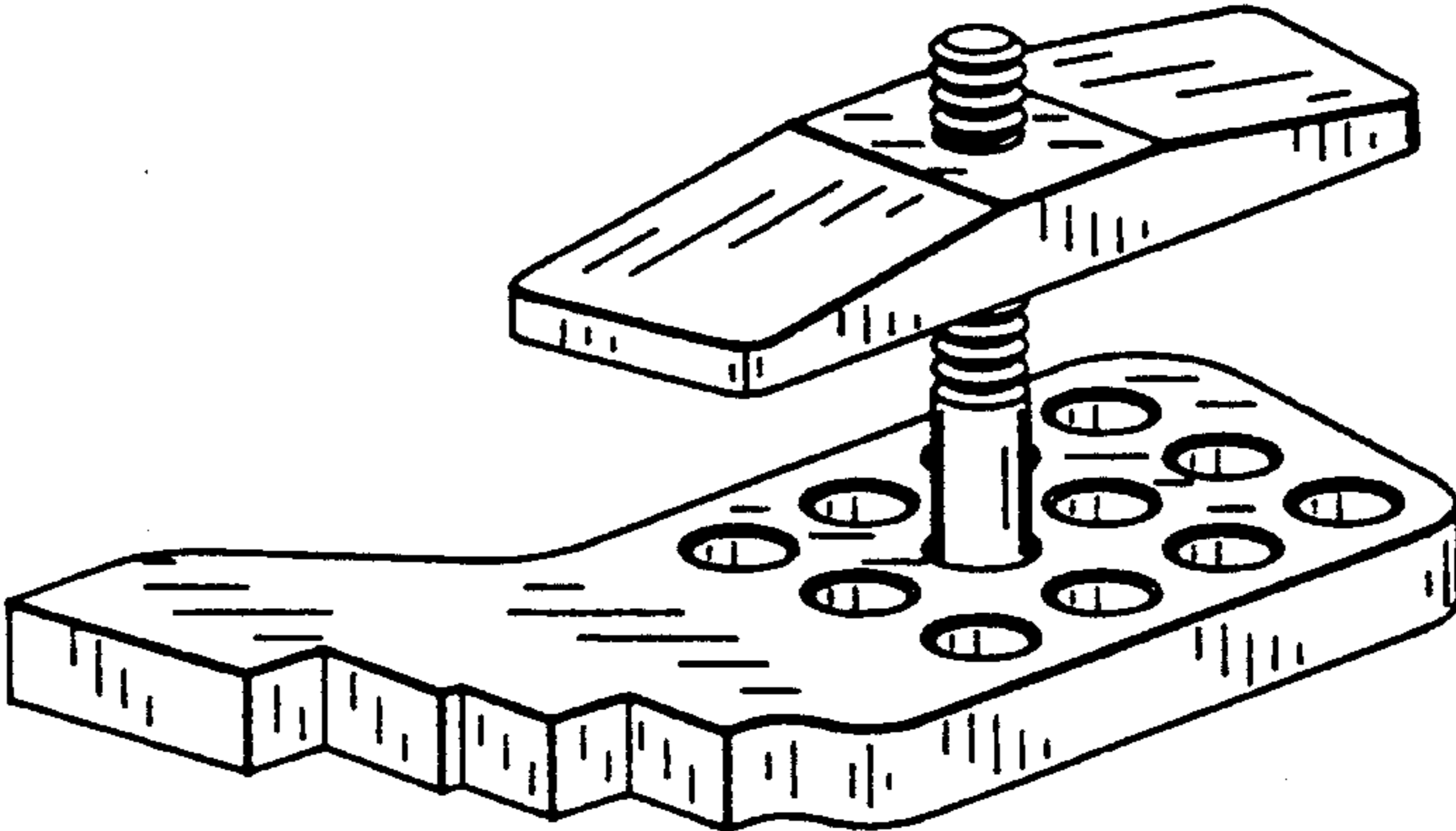
FIG. 1 is a front perspective view of an anti-chain wrap unit for bicycles showing my new design;  
FIG. 2 is a top plan view;  
FIG. 3 is a bottom plan view;  
FIG. 4 is a front elevation view;  
FIG. 5 is a rear elevation view;  
FIG. 6 is a left side elevation view; and,  
FIG. 7 is a right side elevation view.

[56] **References Cited**

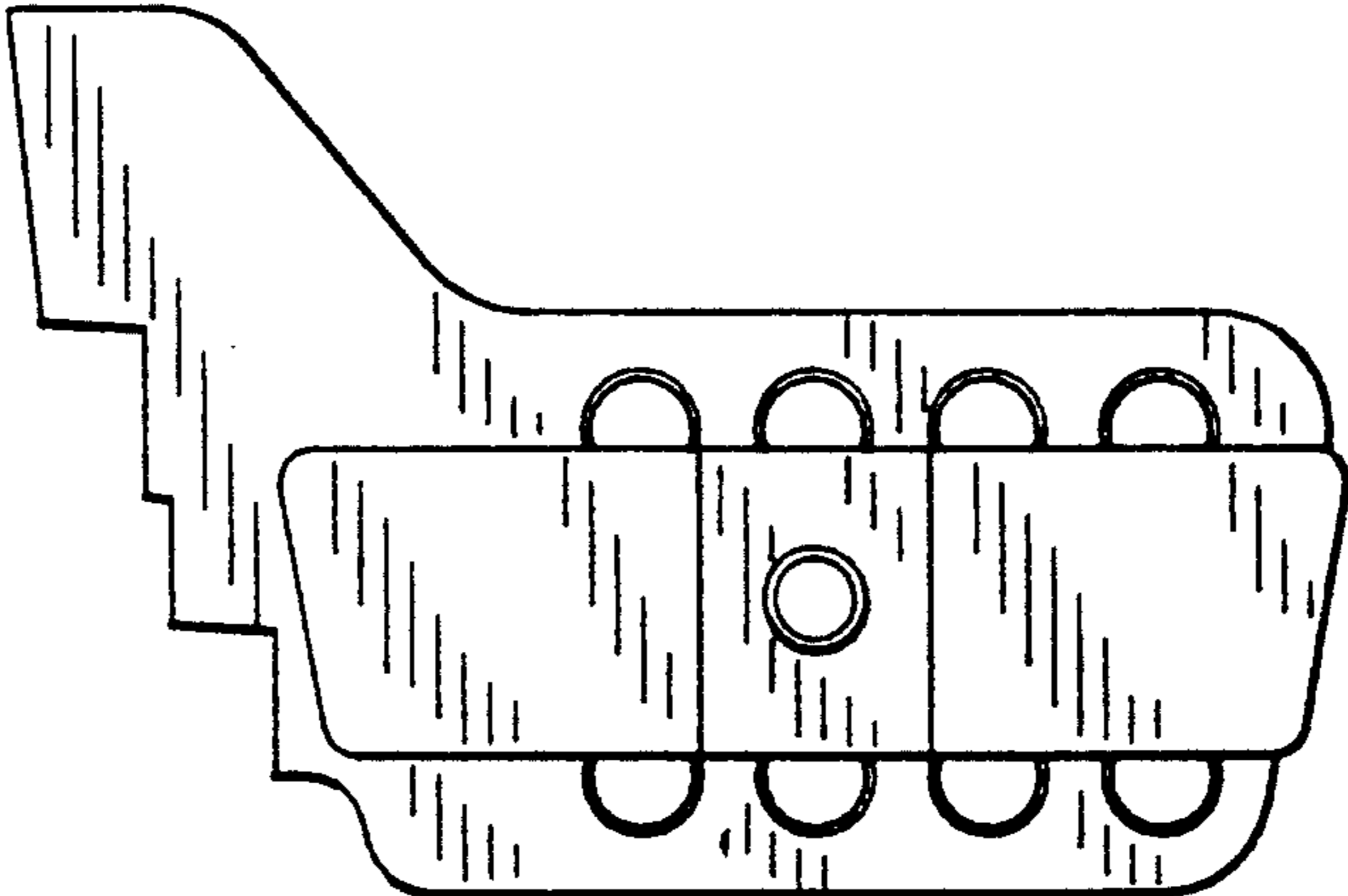
**U.S. PATENT DOCUMENTS**

4,798,562	1/1989	Matson et al. ....	474/101
4,960,402	10/1990	Klein et al. ....	474/101
4,961,720	10/1991	Jury .....	474/80
5,013,285	5/1991	Carlyle .....	474/80

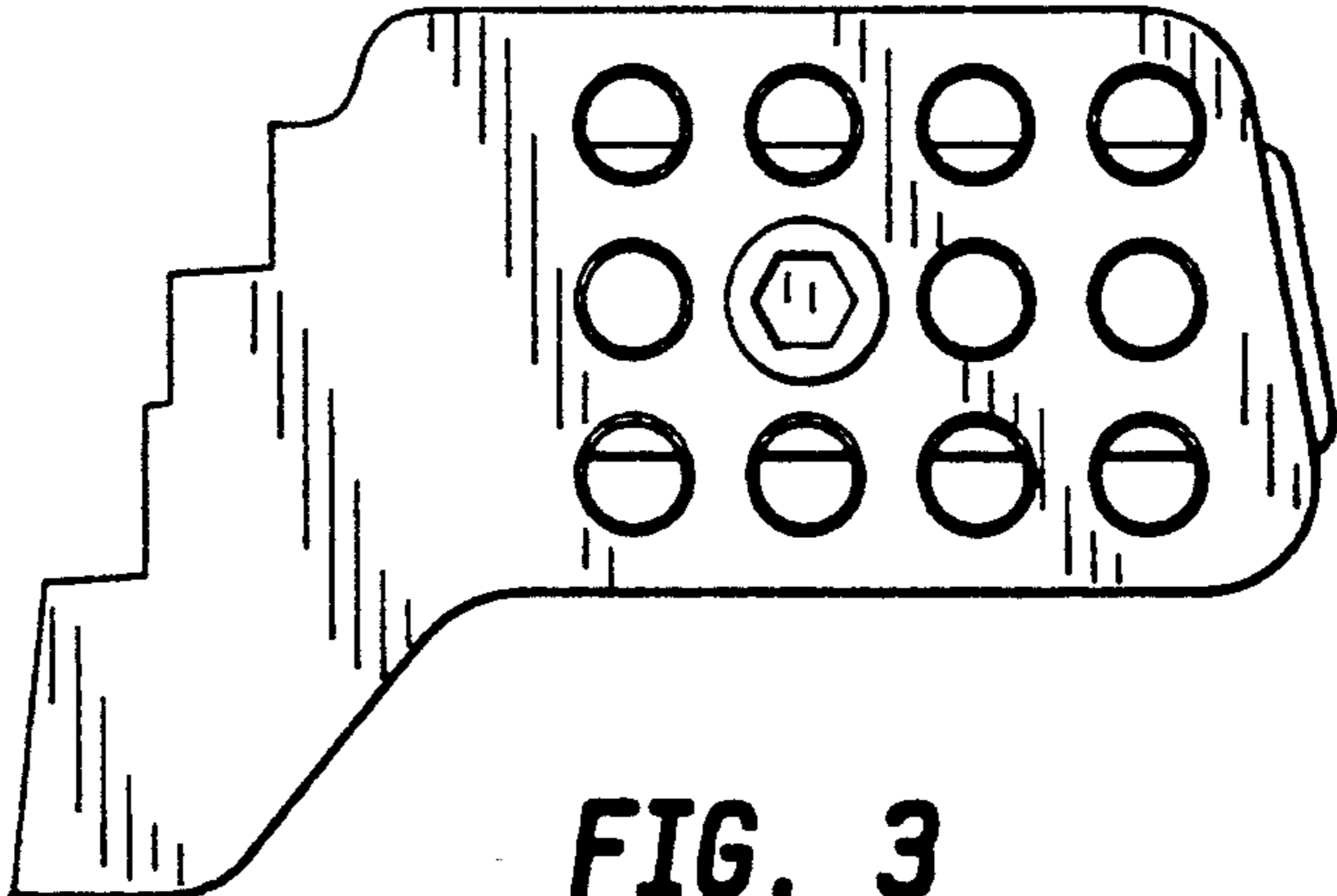




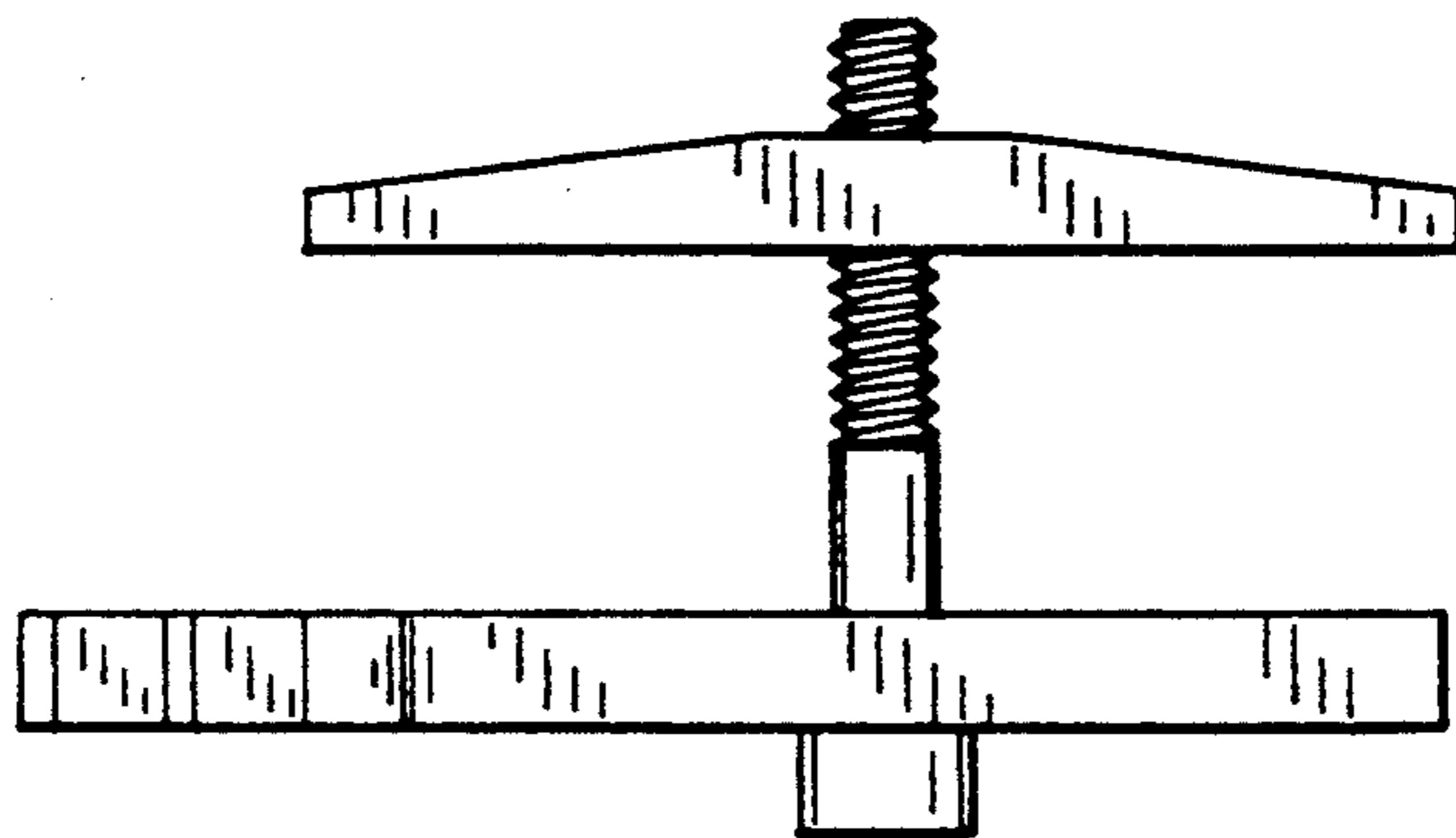
**FIG. 1**



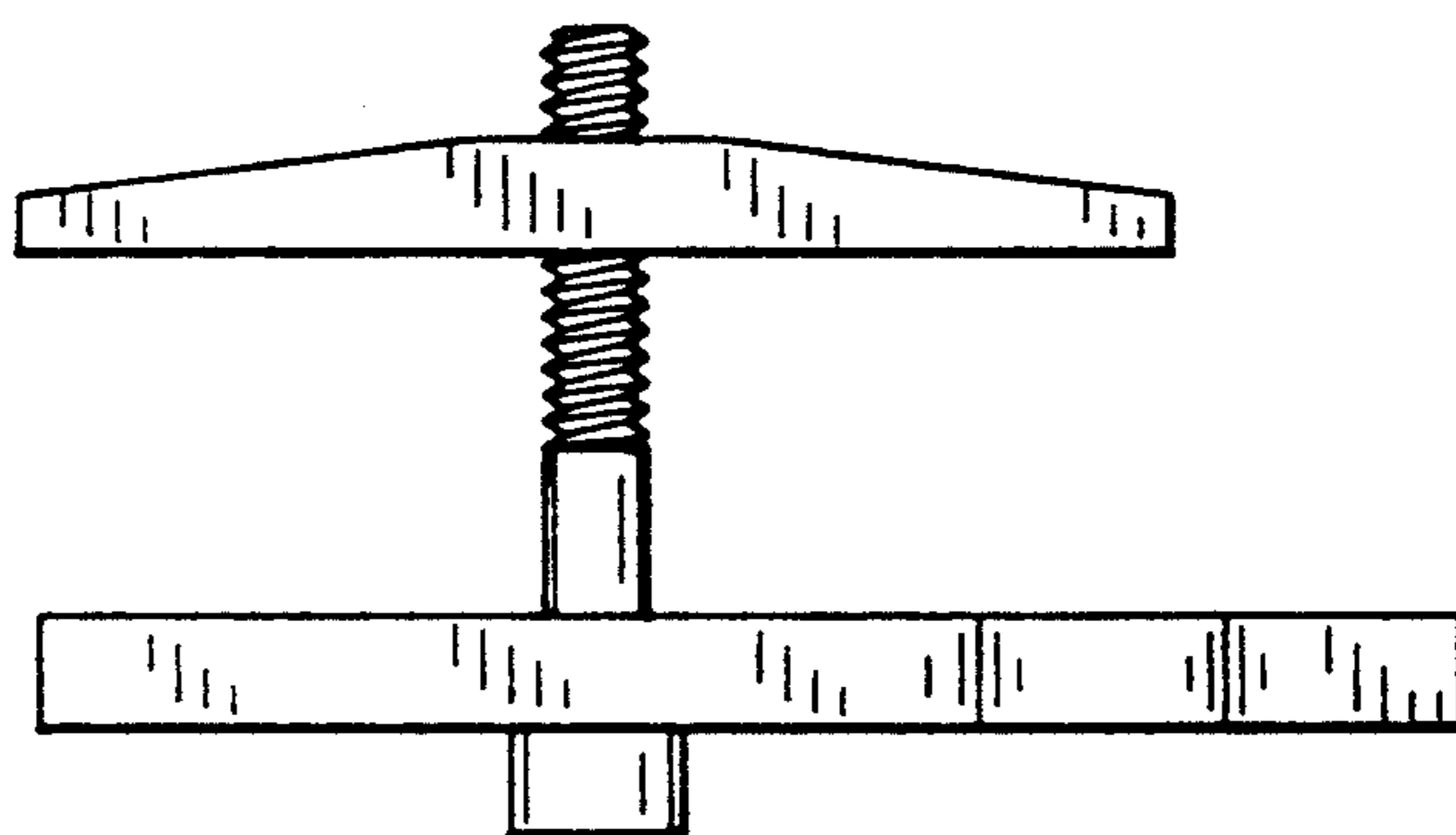
**FIG. 2**



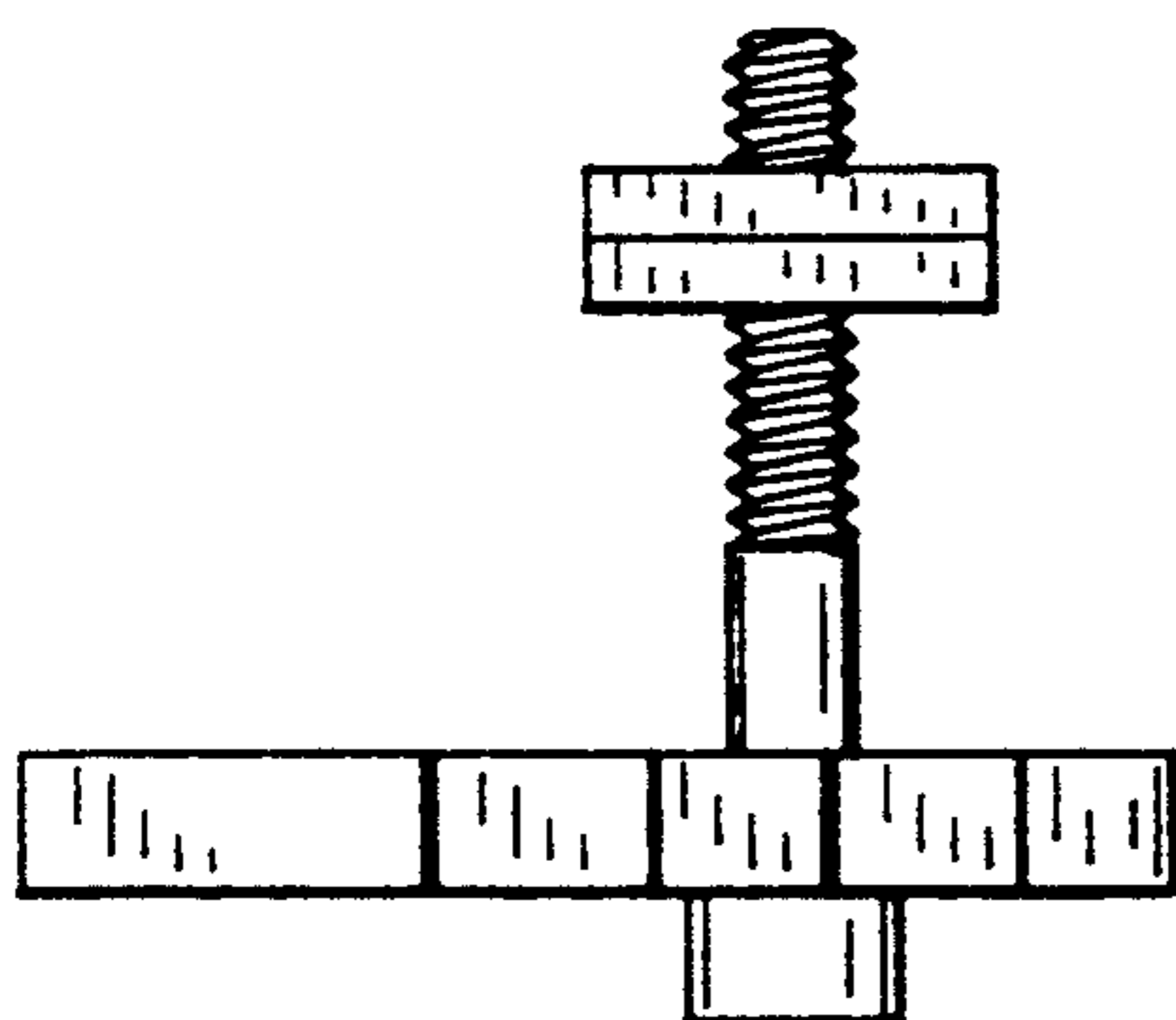
**FIG. 3**



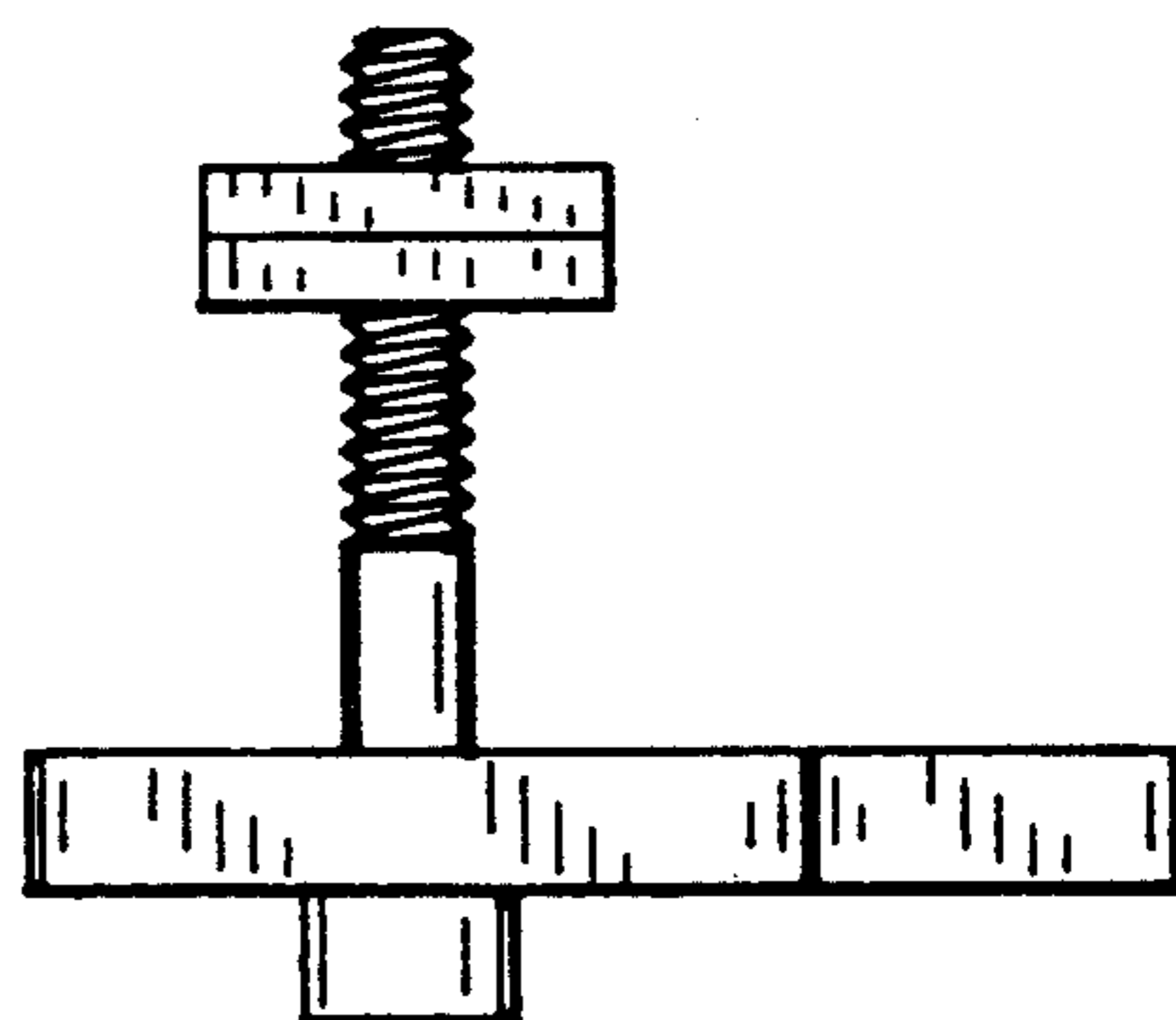
**FIG. 4**



**FIG. 5**



**FIG. 6**



**FIG. 7**