



US00D342222S

United States Patent [19]

[11] Patent Number: **Des. 342,222**

Cherry

[45] Date of Patent: **** Dec. 14, 1993**

[54] **EXPANDABLE OXYGEN TANK BRACKET FOR A WHEELCHAIR**

4,213,648 7/1980 Steichen 297/188
4,431,206 2/1984 Pryor 297/DIG. 4
4,696,420 9/1987 Kulik 224/275

[76] Inventor: **Jeff D. Cherry, 1662 St. Thomas, Granite City, Ill. 62040**

*Primary Examiner—Kay H. Chin
Attorney, Agent, or Firm—Don W. Weber*

[**] Term: **14 Years**

[57] **CLAIM**

[21] Appl. No.: **895,822**

The ornamental design for an expandable oxygen tank bracket for a wheelchair, as shown and described.

[22] Filed: **Jun. 8, 1992**

[52] U.S. Cl. **D12/133**

DESCRIPTION

[58] Field of Search **D12/133, 131; 297/188, 297/189, DIG. 4; 248/311.1; 280/250.1, 242.1; 224/42.46**

FIG. 1 is a perspective view of the expandable oxygen tank bracket for a wheelchair;

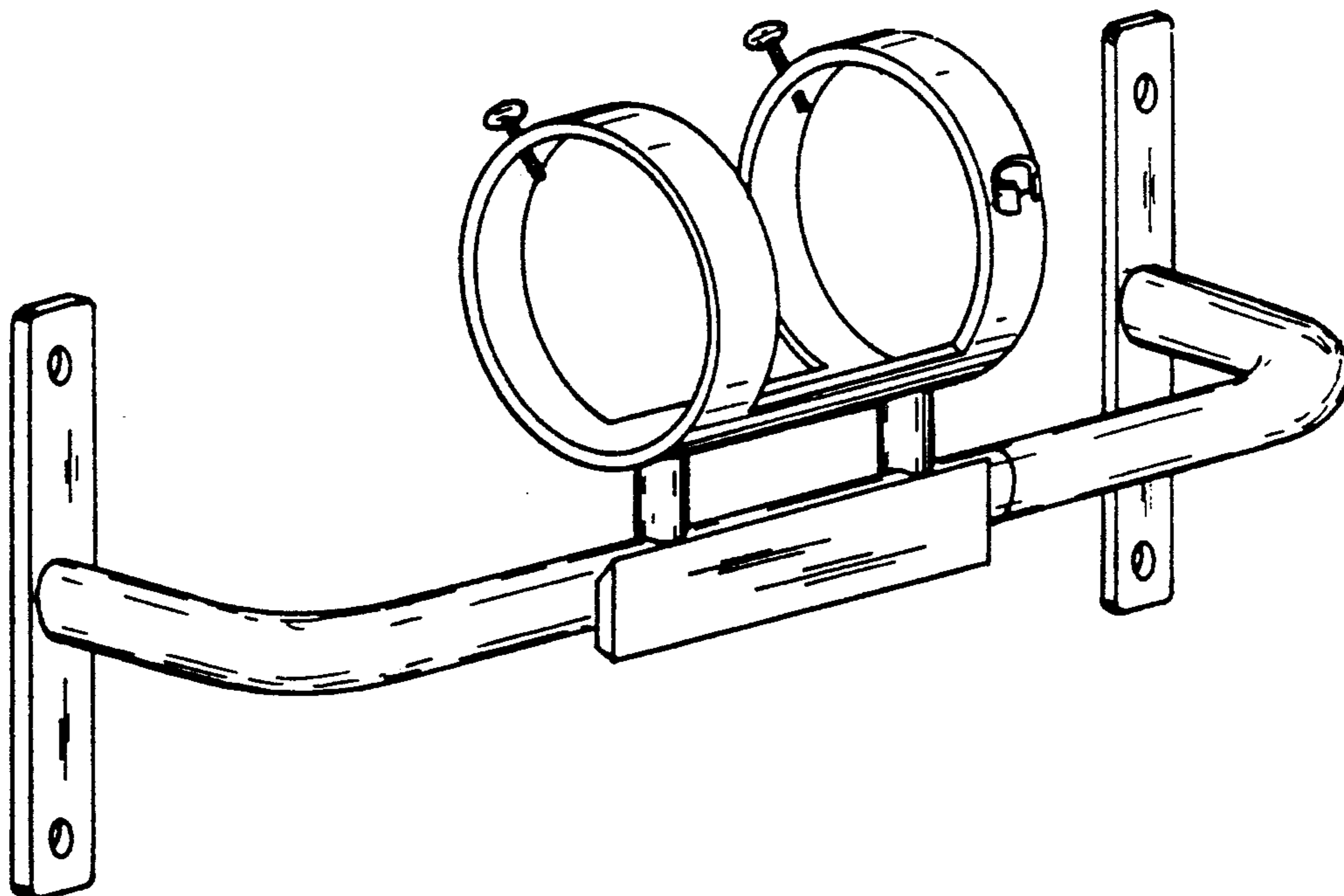
FIG. 2 is a front view of the oxygen tank bracket, partially cut-away, showing the oxygen tank in place in dashed lines;

FIG. 3 is a side view of the oxygen tank bracket; and, FIG. 4 is a perspective view showing the oxygen tank bracket in place and showing the oxygen tank in dotted lines.

[56] References Cited

U.S. PATENT DOCUMENTS

D. 305,629 1/1990 Wood D121/133
3,970,344 7/1976 Baumann 297/189
4,193,525 3/1980 Sommers 224/42.46 R



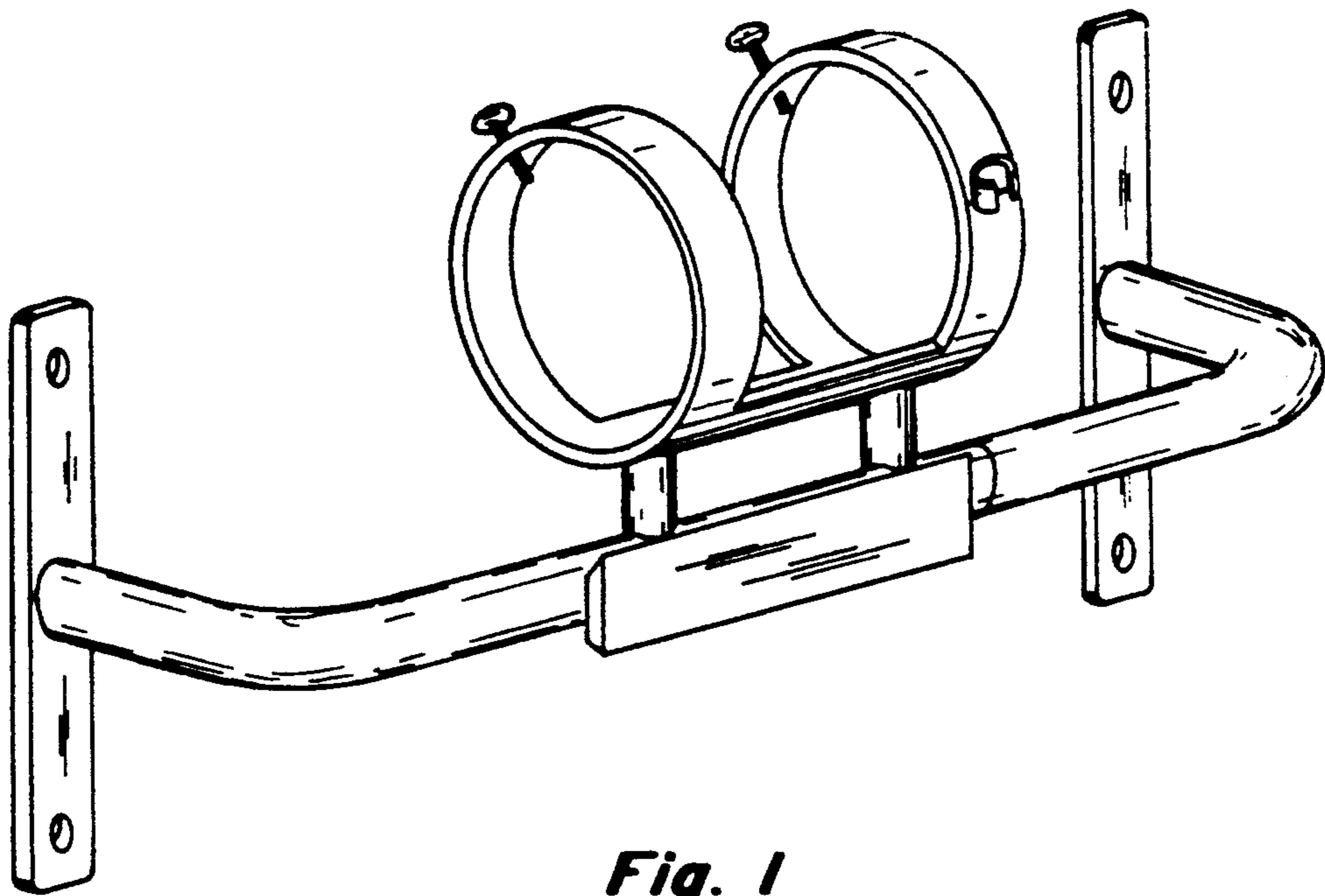


Fig. 1

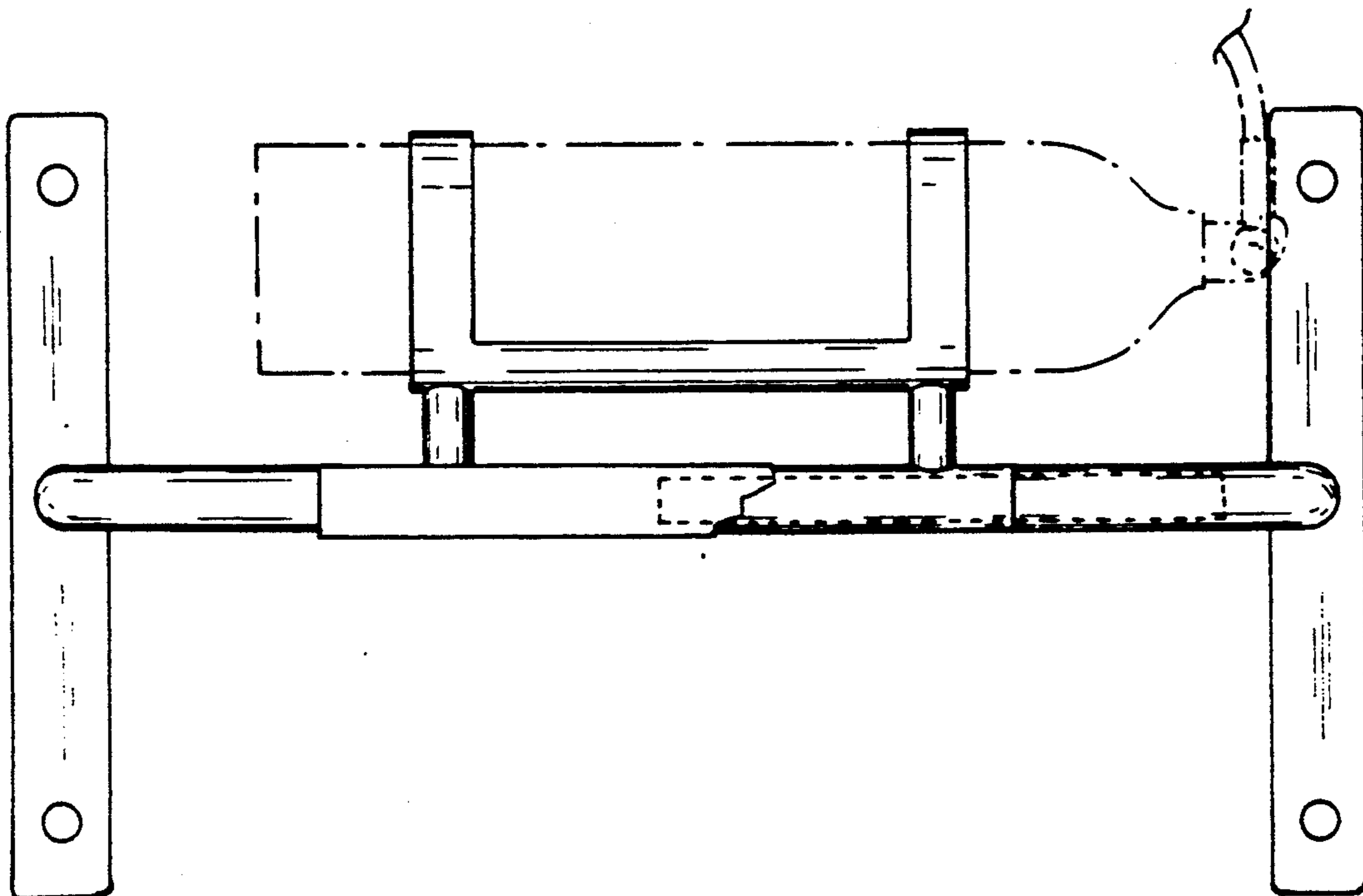


Fig. 2

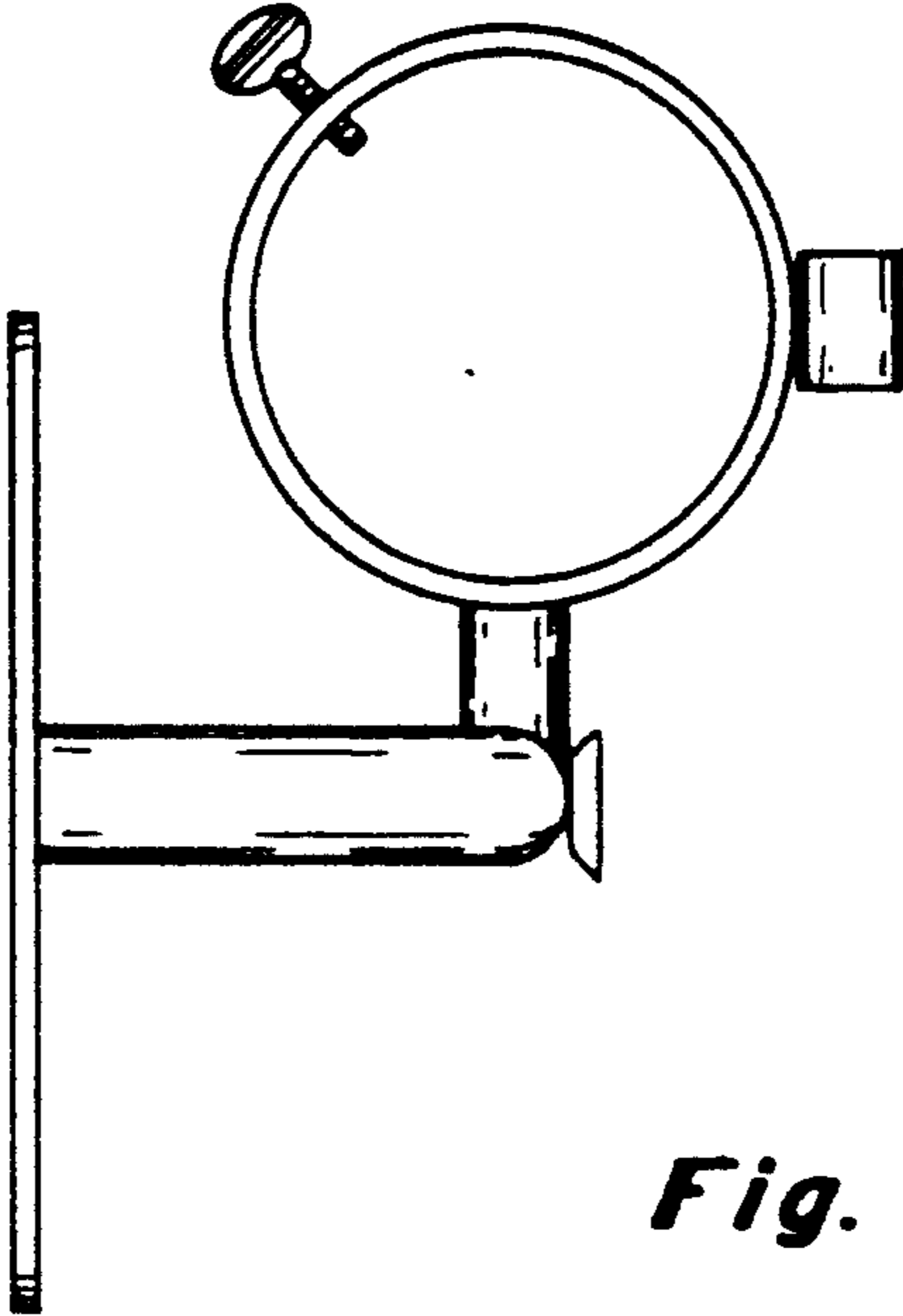


Fig. 3

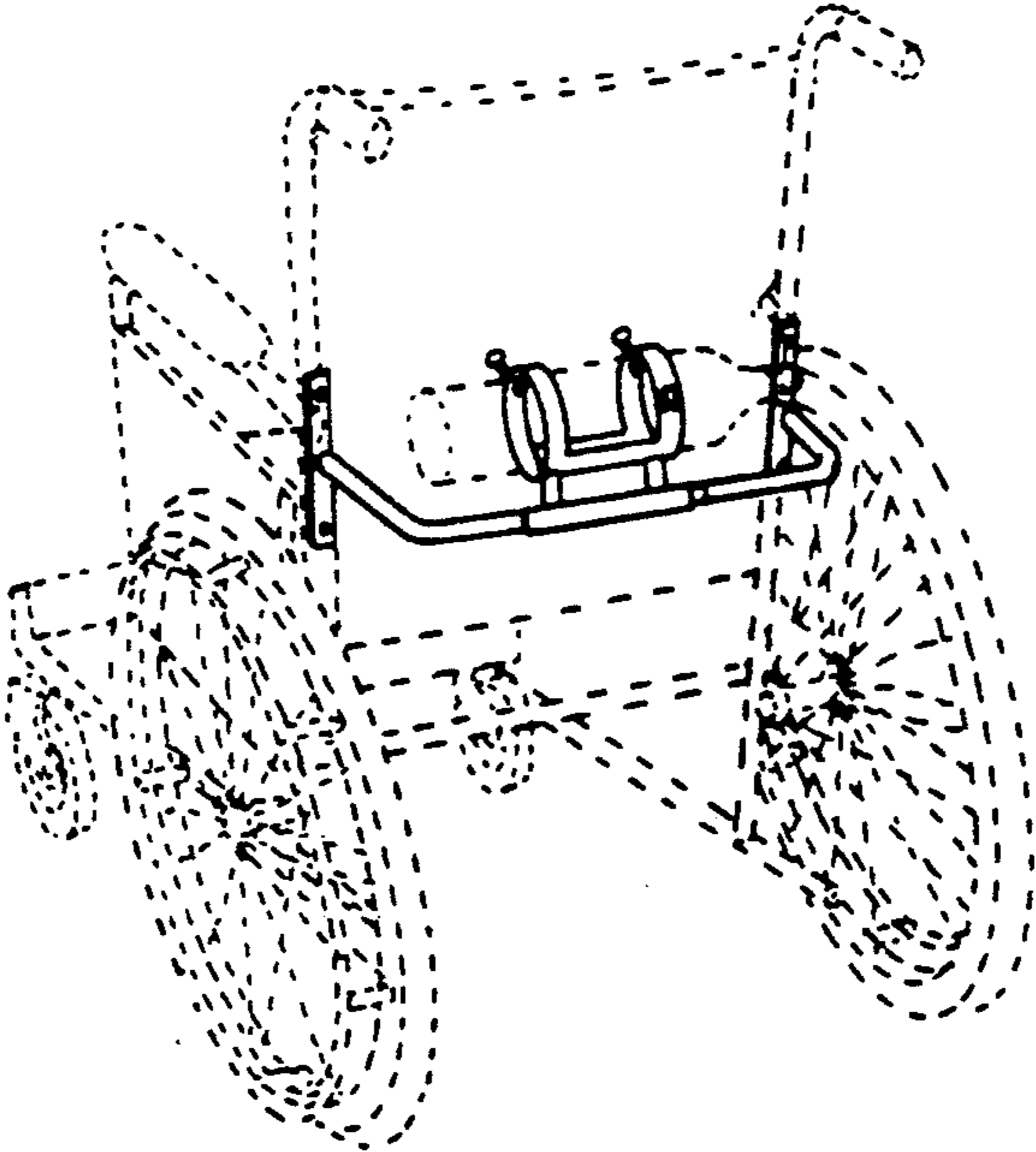


Fig. 4