



US00D342218S

United States Patent [19]

[11] Patent Number: **Des. 342,218**

Robbins

[45] Date of Patent: **** Dec. 14, 1993**

[54] **FIGURINE**

[76] Inventor: **Carl E. Robbins, 2706 30th St. SE.
Apt. 190 332, Washington, D.C.
20020**

[**] Term: **14 Years**

[21] Appl. No.: **801,126**

[22] Filed: **Dec. 2, 1991**

[52] U.S. Cl. **D11/160; D11/157;
D21/177**

[58] Field of Search **D11/157, 160; D21/148,
D21/155, 177**

[56] **References Cited**

U.S. PATENT DOCUMENTS

D. 149,260 4/1948 Danz D11/160
D. 176,186 11/1955 Hirsch et al. D11/160 X

D. 215,305 9/1969 Petito D11/160
D. 235,503 6/1975 Fry D11/160 X
D. 247,483 3/1978 Slater D11/160

Primary Examiner—Bernard Ansher
Assistant Examiner—Dominic Simone
Attorney, Agent, or Firm—Leon Gilden

[57] **CLAIM**

The ornamental design for a figurine, as shown and described.

DESCRIPTION

FIG. 1 is a front elevational view of the figurine showing my new design;
FIG. 2 is a rear elevational view thereof;
FIG. 3 is a left side elevational view thereof;
FIG. 4 is a right side elevational view thereof;
FIG. 5 is a top plan view thereof; and,
FIG. 6 is a bottom plan view thereof.

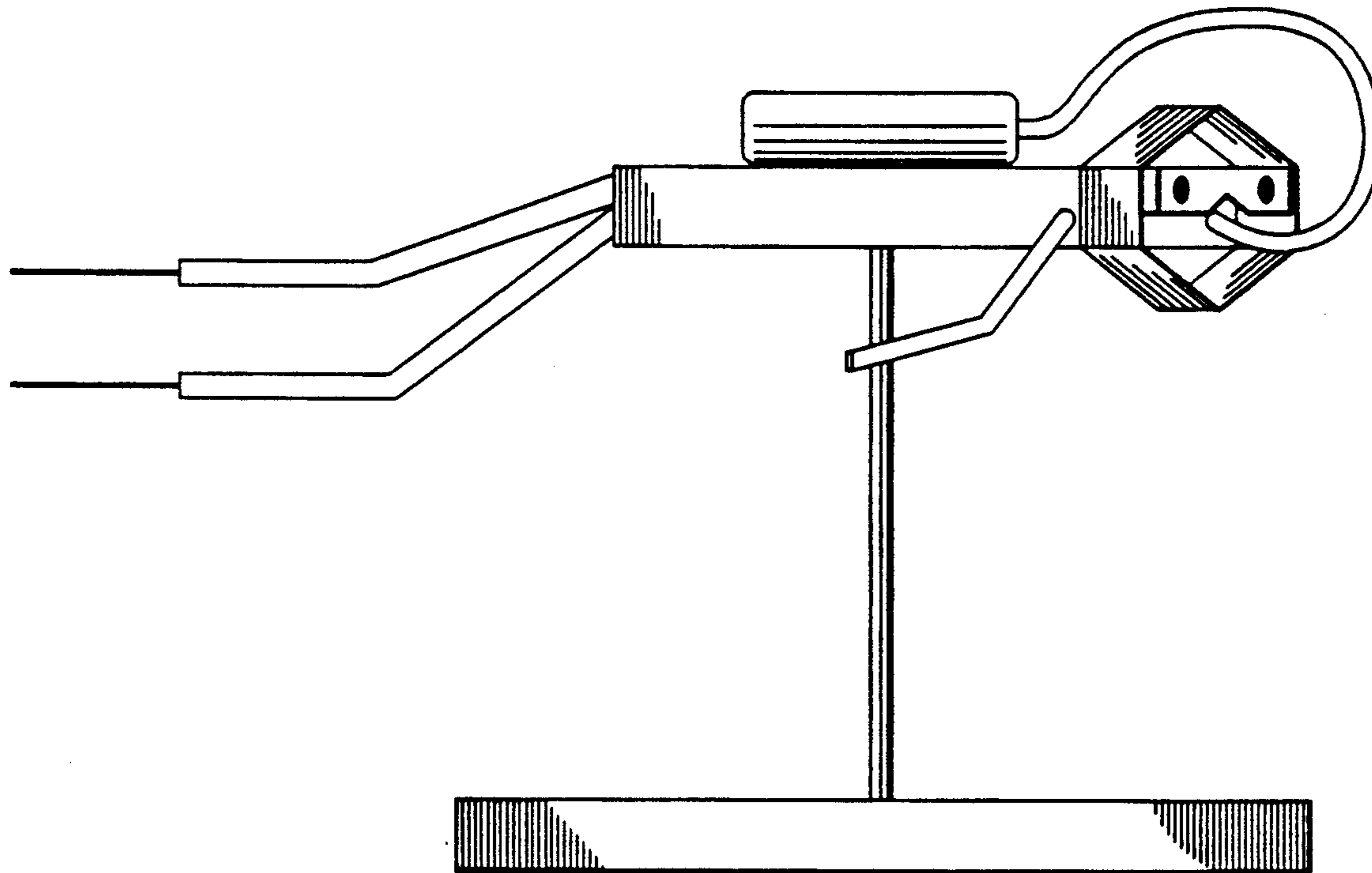


FIG. 1

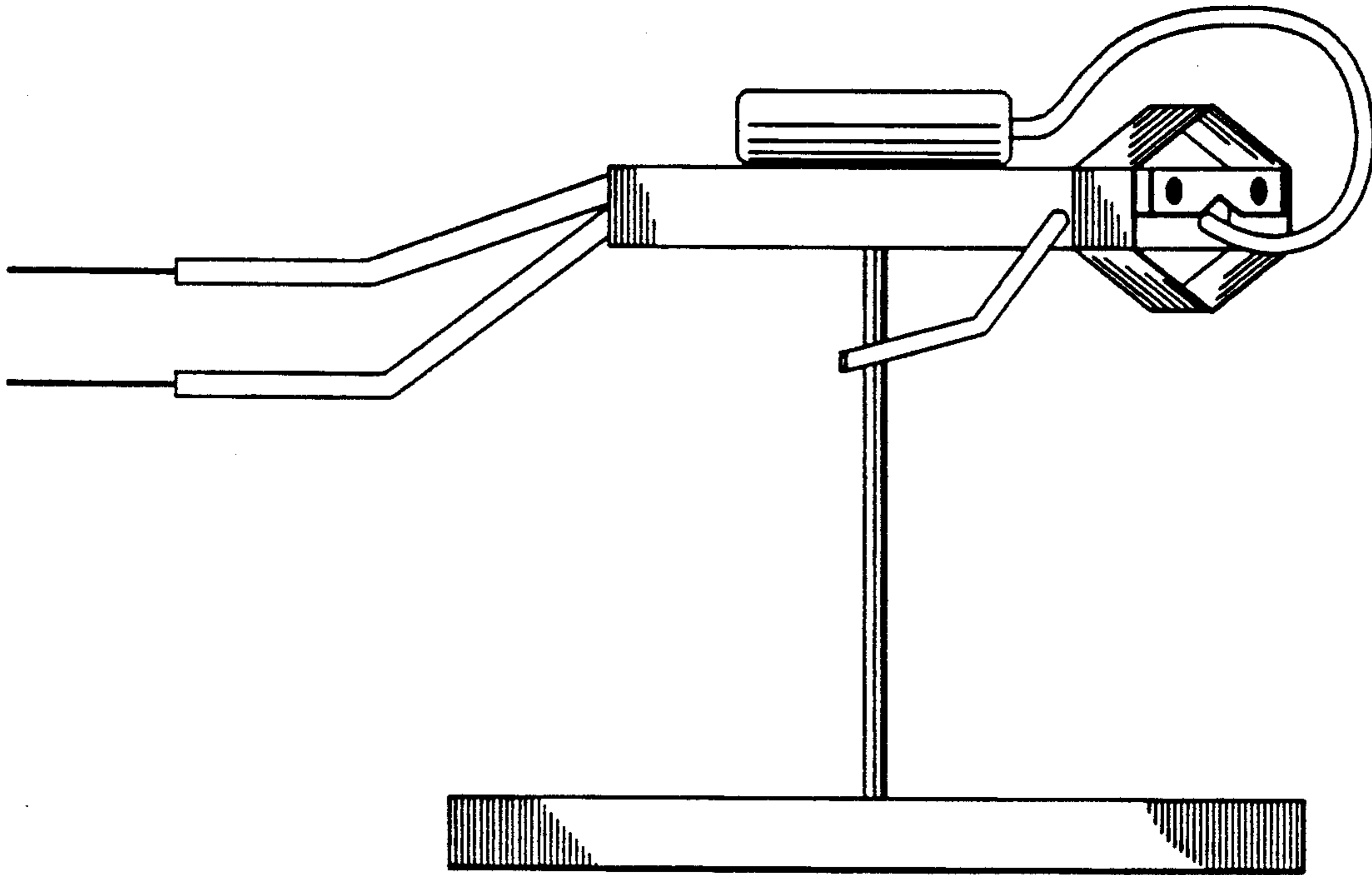


FIG. 2

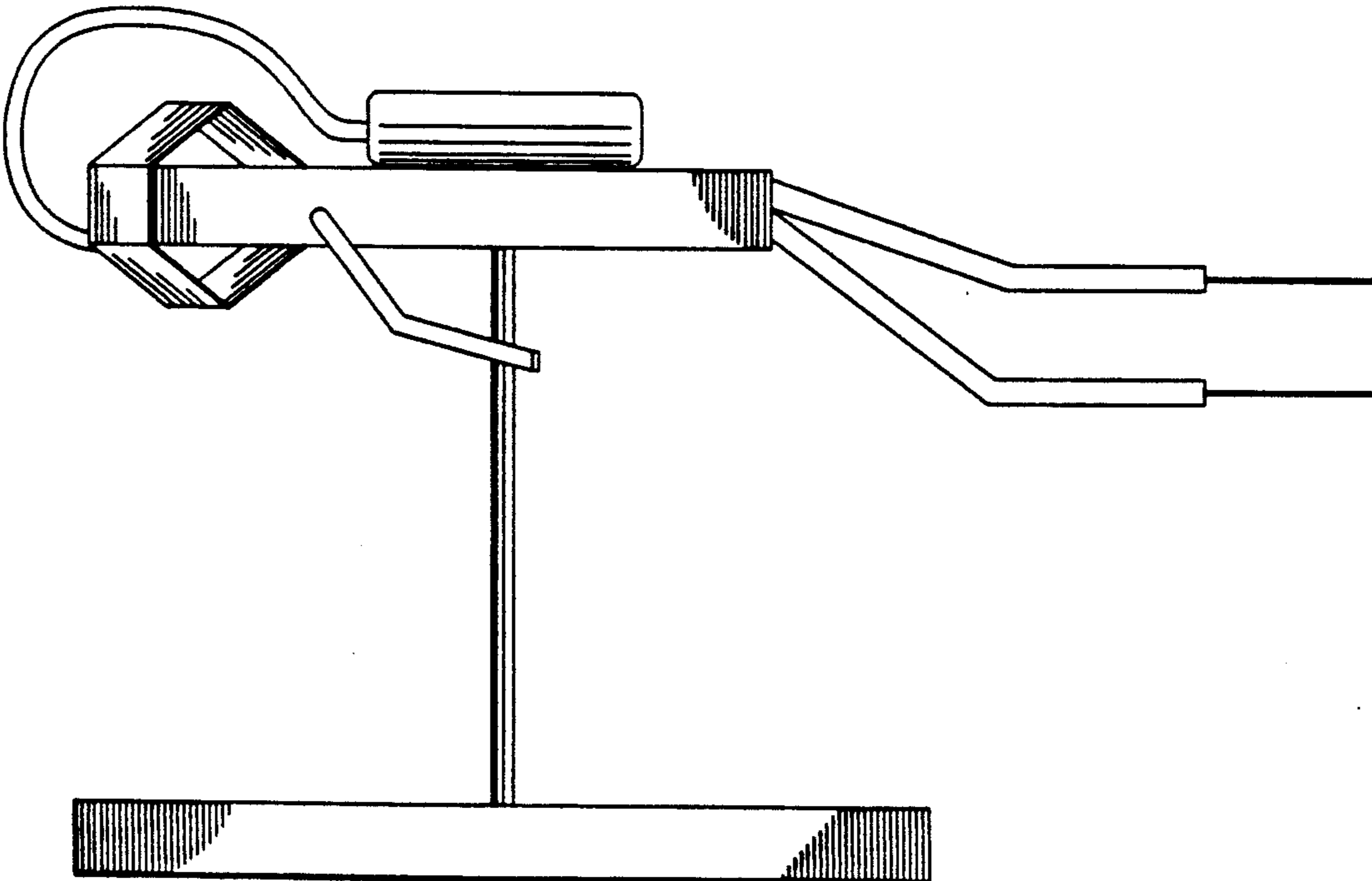


FIG. 3

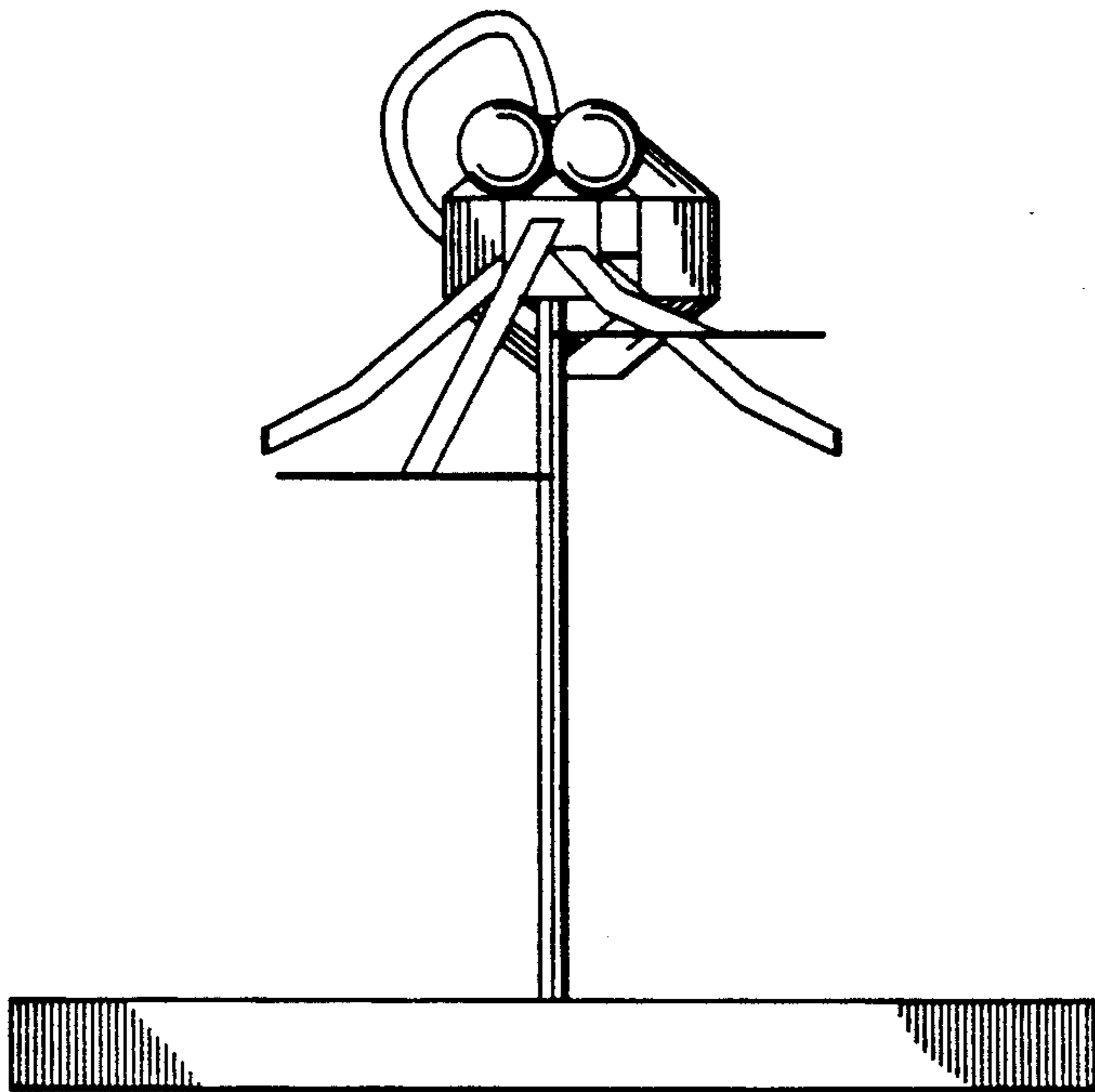


FIG. 4

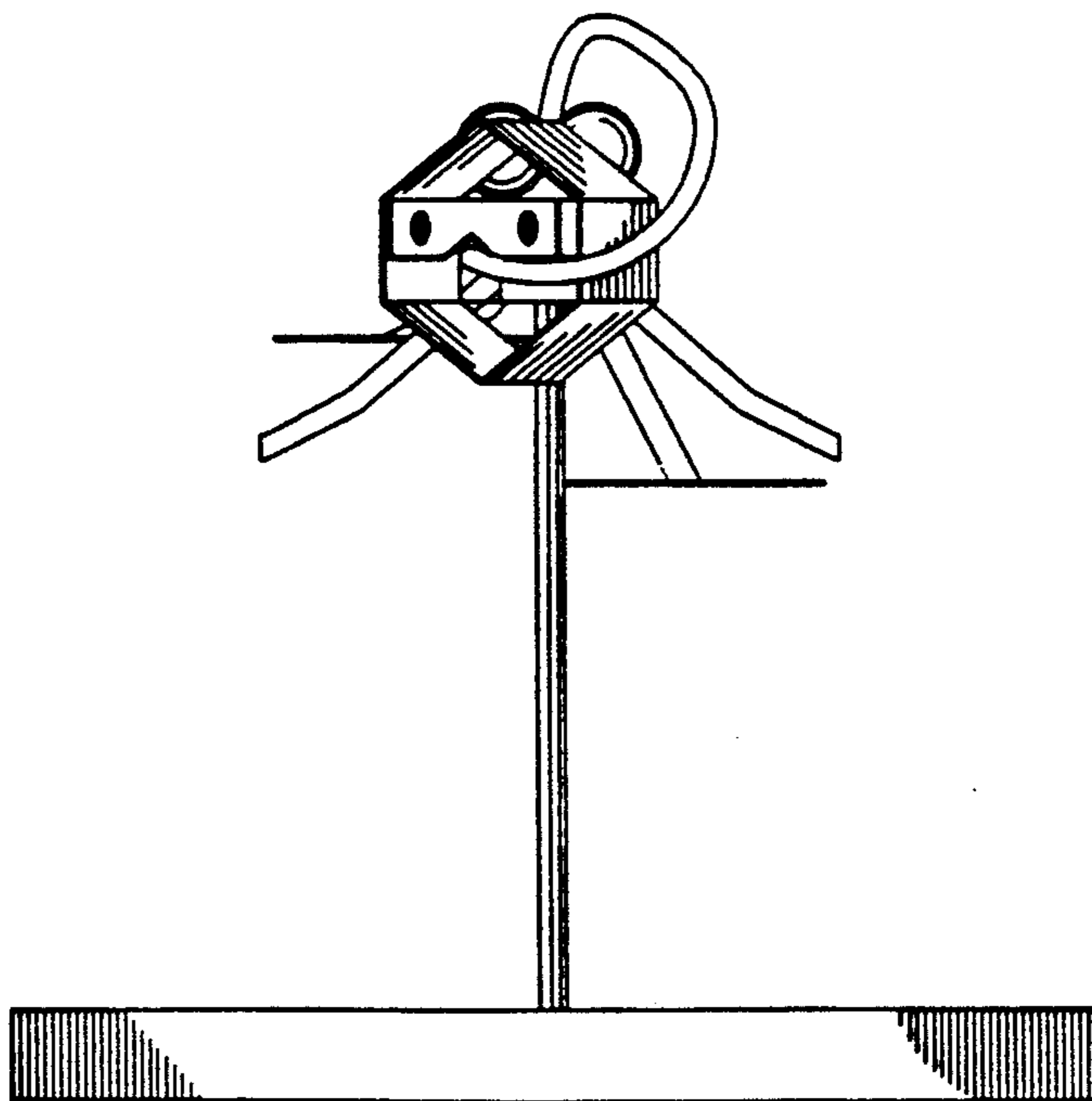


FIG. 5

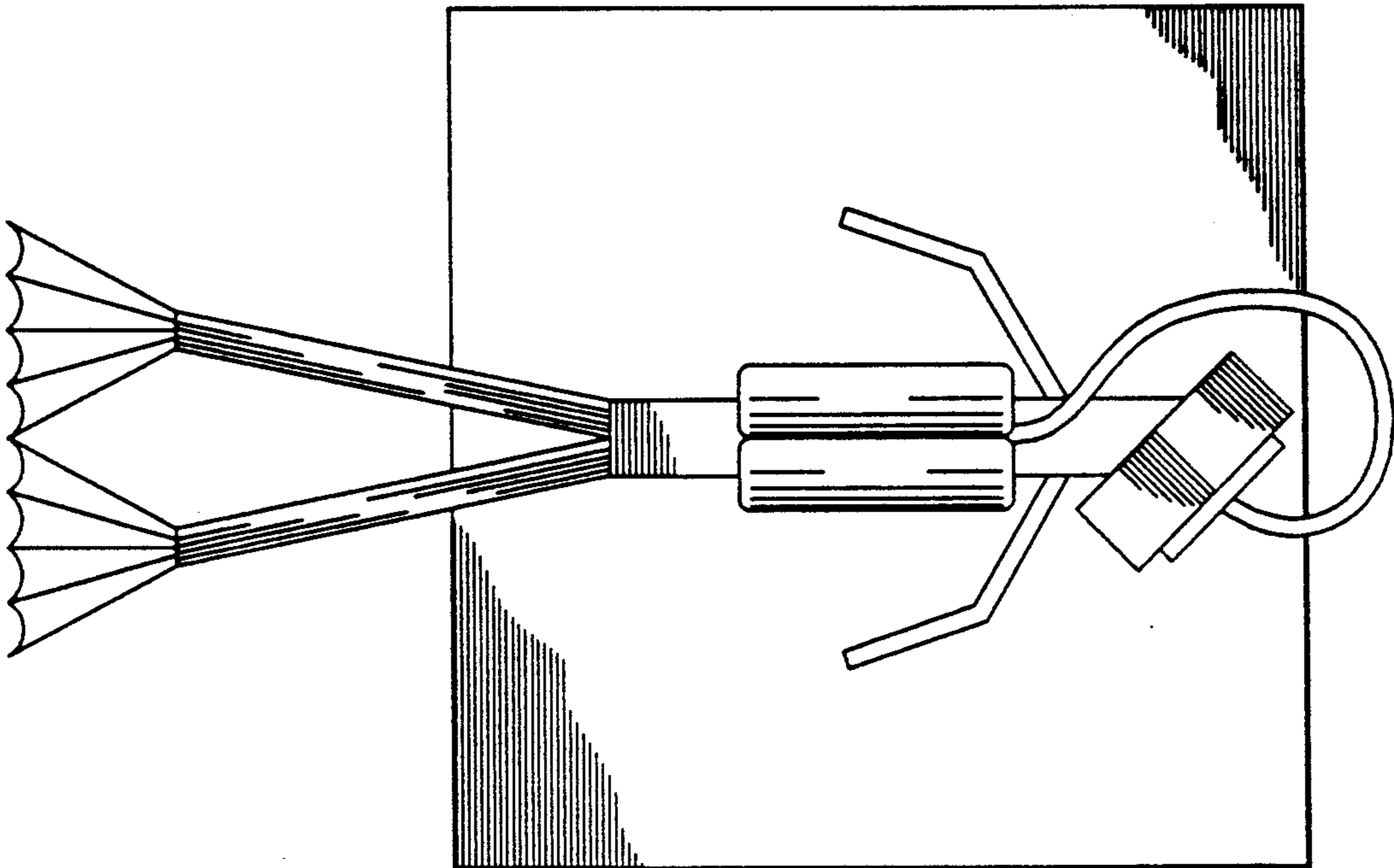


FIG. 6

