



US00D342213S

United States Patent [19]

[11] Patent Number: **Des. 342,213**

Fellmann

[45] Date of Patent: **** Dec. 14, 1993**

[54] **FIRE DETECTOR**

[75] Inventor: **Hansruedi Fellmann**, Wallisellen, Switzerland

[73] Assignee: **Cerberus AG**, Mannedorf, Switzerland

[**] Term: **14 Years**

[21] Appl. No.: **807,903**

[22] Filed: **Dec. 16, 1991**

[30] **Foreign Application Priority Data**

Jun. 18, 1991 [WO] World Int. Prop. O. DMA/001521

[52] U.S. Cl. **D10/106**

[58] Field of Search D10/104, 106, 121; 340/628, 629, 630, 695

[56] **References Cited**

U.S. PATENT DOCUMENTS

D. 271,671	12/1983	Thornton, Jr.	D10/106
D. 279,769	7/1985	Thornton, Jr. et al.	D10/106
D. 297,219	8/1988	Taylor	D10/106
3,226,703	12/1965	Finkle	D10/106
4,236,822	12/1980	Jaretsky et al.	340/628

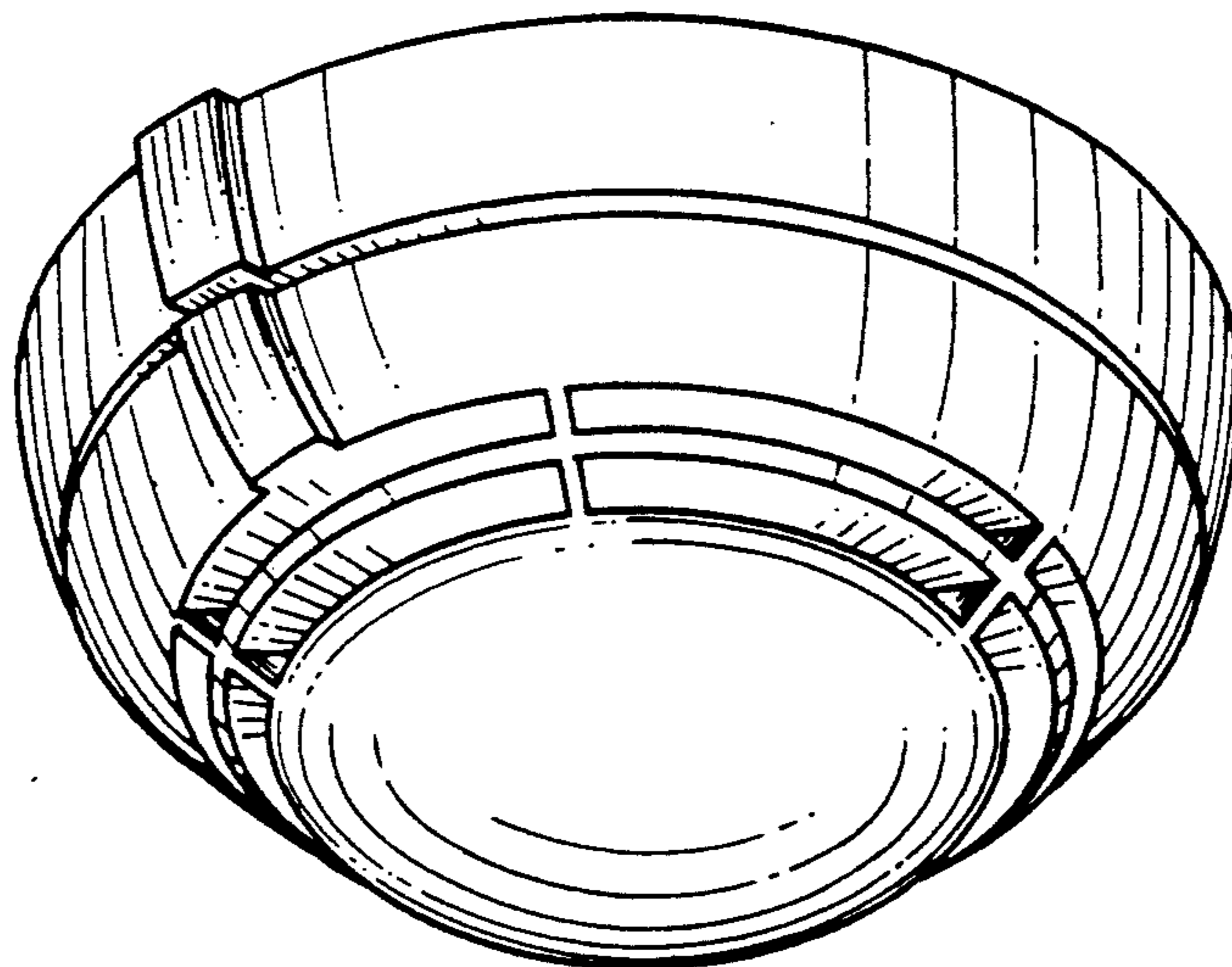
Primary Examiner—Wallace R. Burke
Assistant Examiner—Marcus Jackson
Attorney, Agent, or Firm—Brumbaugh, Graves, Donohue & Raymond

[57] **CLAIM**

The ornamental design for a fire detector, as shown and described.

DESCRIPTION

FIG. 1 is a perspective view of a fire detector showing my new design;
FIG. 2 is an elevation of the fire detector of FIG. 1;
FIG. 3 is a bottom view of the fire detector of FIG. 1; and,
FIG. 4 is a front view of the fire detector of FIG. 1.



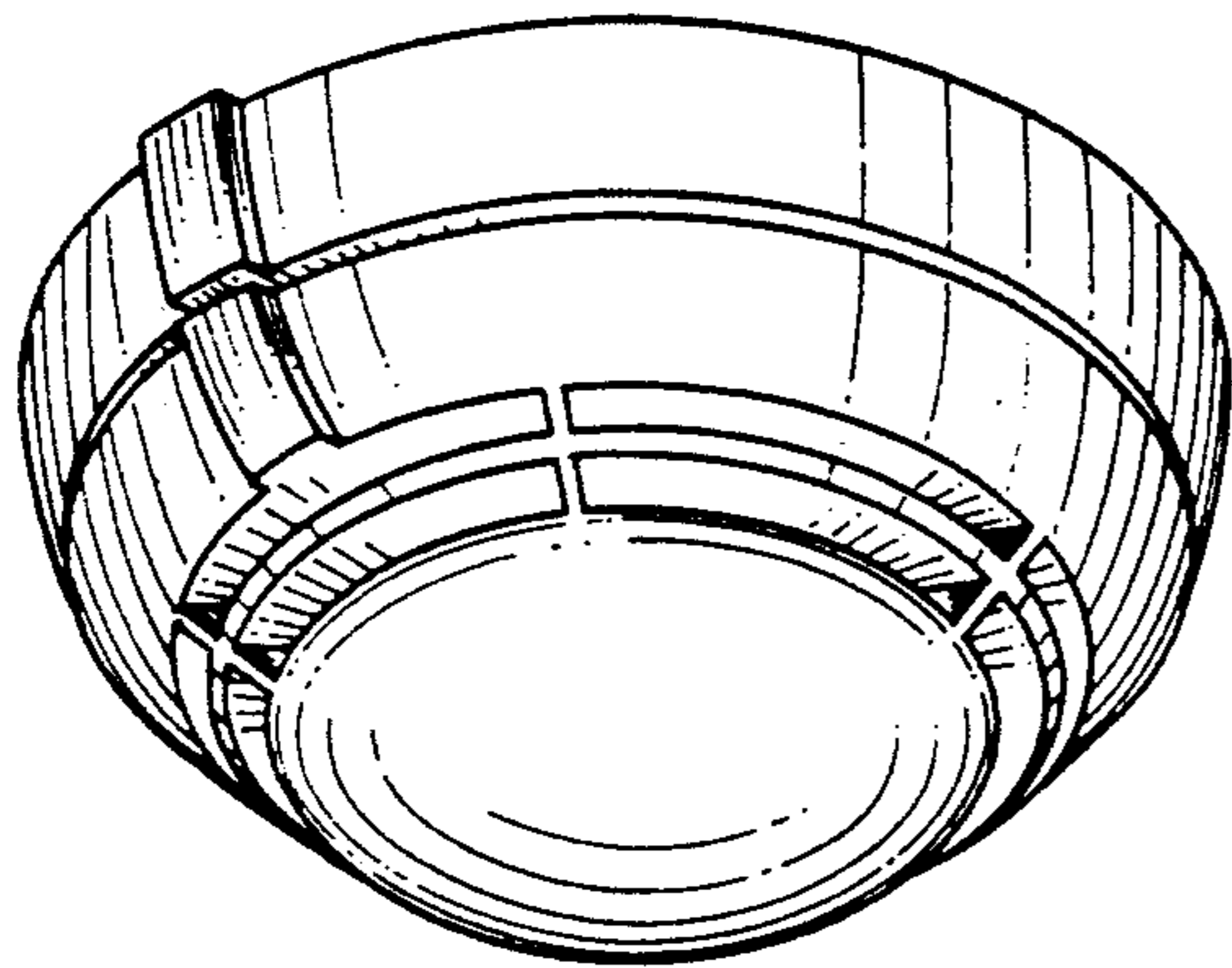


FIG. 1

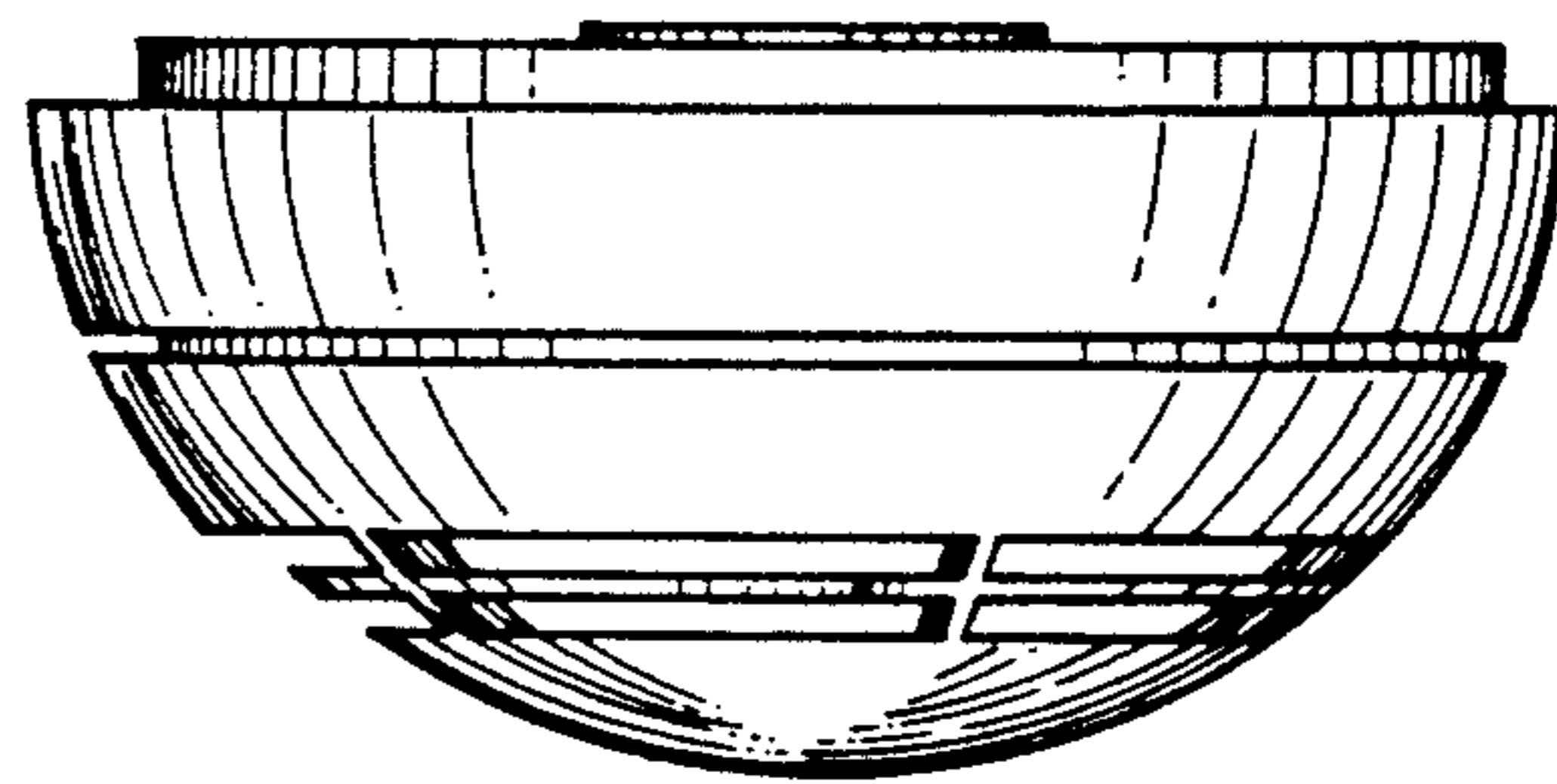


FIG. 2

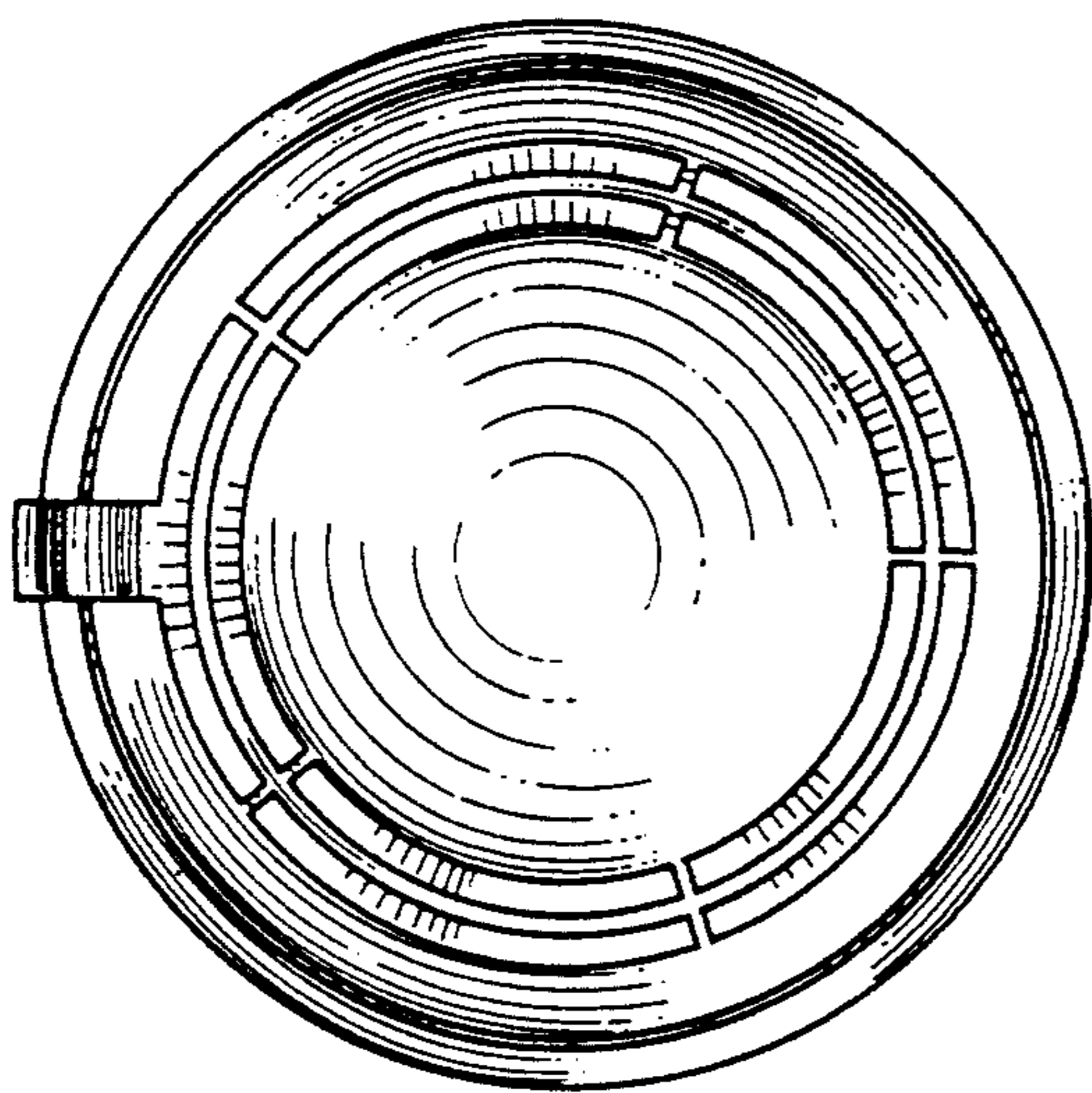


FIG. 3

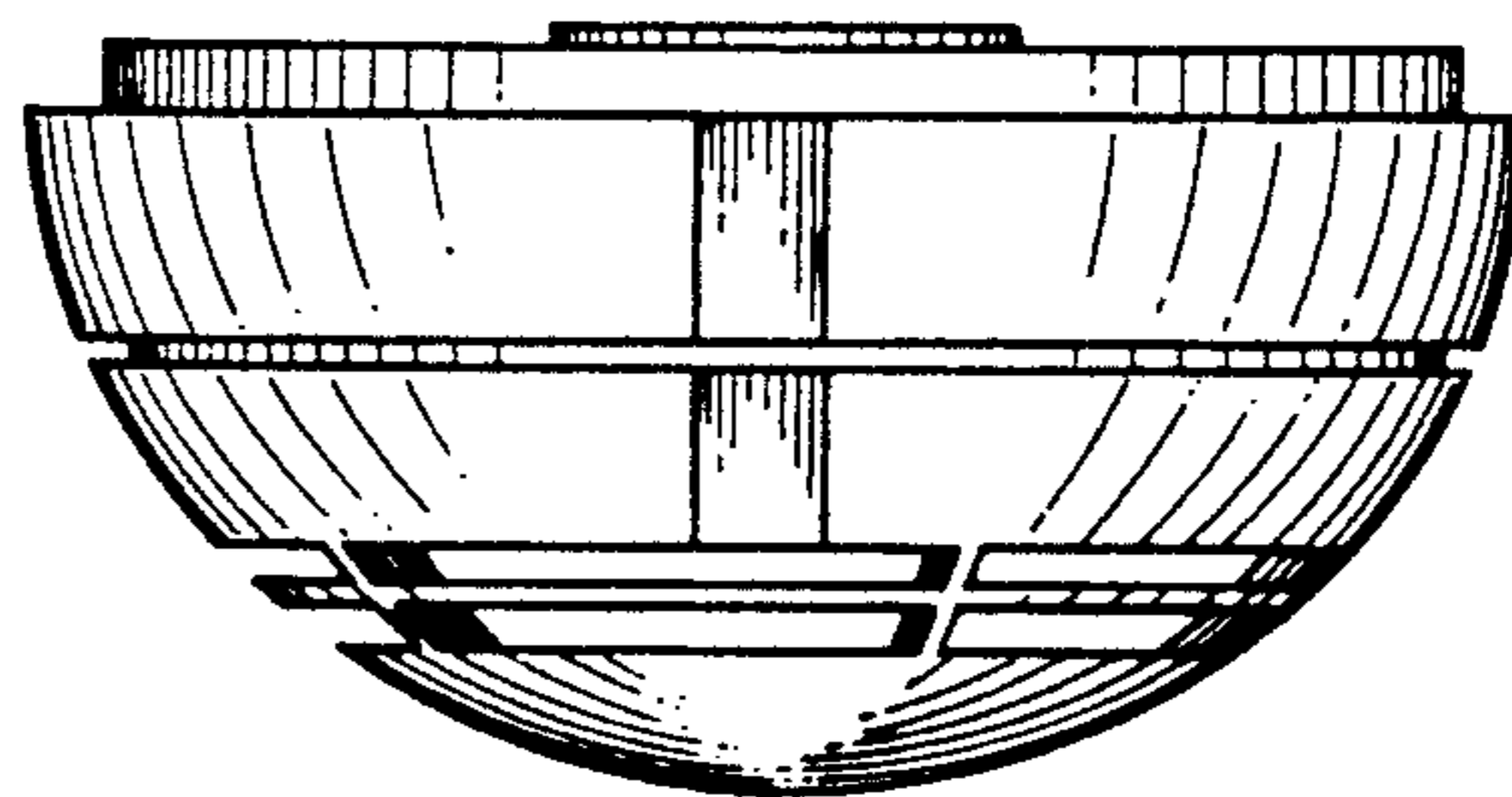


FIG. 4