



US00D342204S

United States Patent [19] Lougee

[11] Patent Number: **Des. 342,204**
[45] Date of Patent: **** Dec. 14, 1993**

[54] HANDLE

[75] Inventor: **David C. Lougee**, Dallas, Tex.
[73] Assignee: **Oceanic Systems, Inc.**, Dallas, Tex.
[**] Term: **14 Years**

[21] Appl. No.: **914,935**

[22] Filed: **Jul. 16, 1992**
[52] U.S. Cl. **D8/313**
[58] Field of Search **D8/300, 313, 314;**
16/110 R, 124; 292/DIG. 63

[56] **References Cited**

U.S. PATENT DOCUMENTS

D. 820 8/1956 Blakes D8/313
1,304,700 5/1919 Otte 16/124
1,437,509 12/1922 Genth 16/124

OTHER PUBLICATIONS

The Ironmonger Cat. ©1980; p. 67; pull 316/60.
The Handbook of Designs & Devices; C. P. Hornung;
©1932; p. 67; pattern 597.

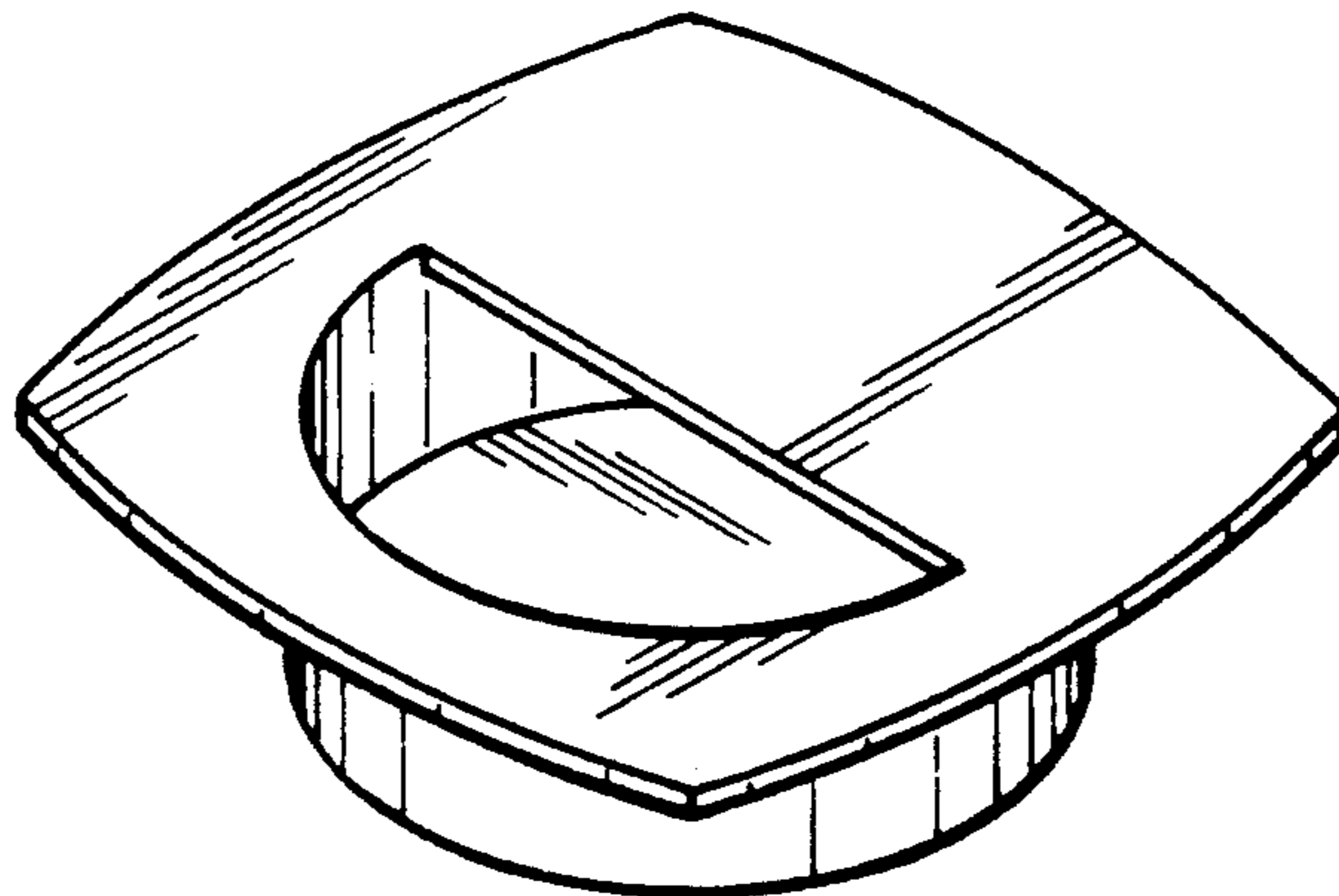
Primary Examiner—B. J. Bullock
Attorney, Agent, or Firm—Ross, Howison, Clapp &
Korn

[57] **CLAIM**

The ornamental design for a handle, as shown and described.

DESCRIPTION

FIG. 1 is a perspective view of my new handle design; FIG. 2 is a top plan view thereof; FIG. 3 is a bottom plan view thereof; FIG. 4 is a front elevational view thereof; FIG. 5 is a side elevational view thereof, the opposite side being a mirror image thereof; FIG. 6 is a rear elevational view thereof; and, FIG. 7 is a cross-sectional view taken in the direction of the arrows on lines 7—7 of FIG. 4.



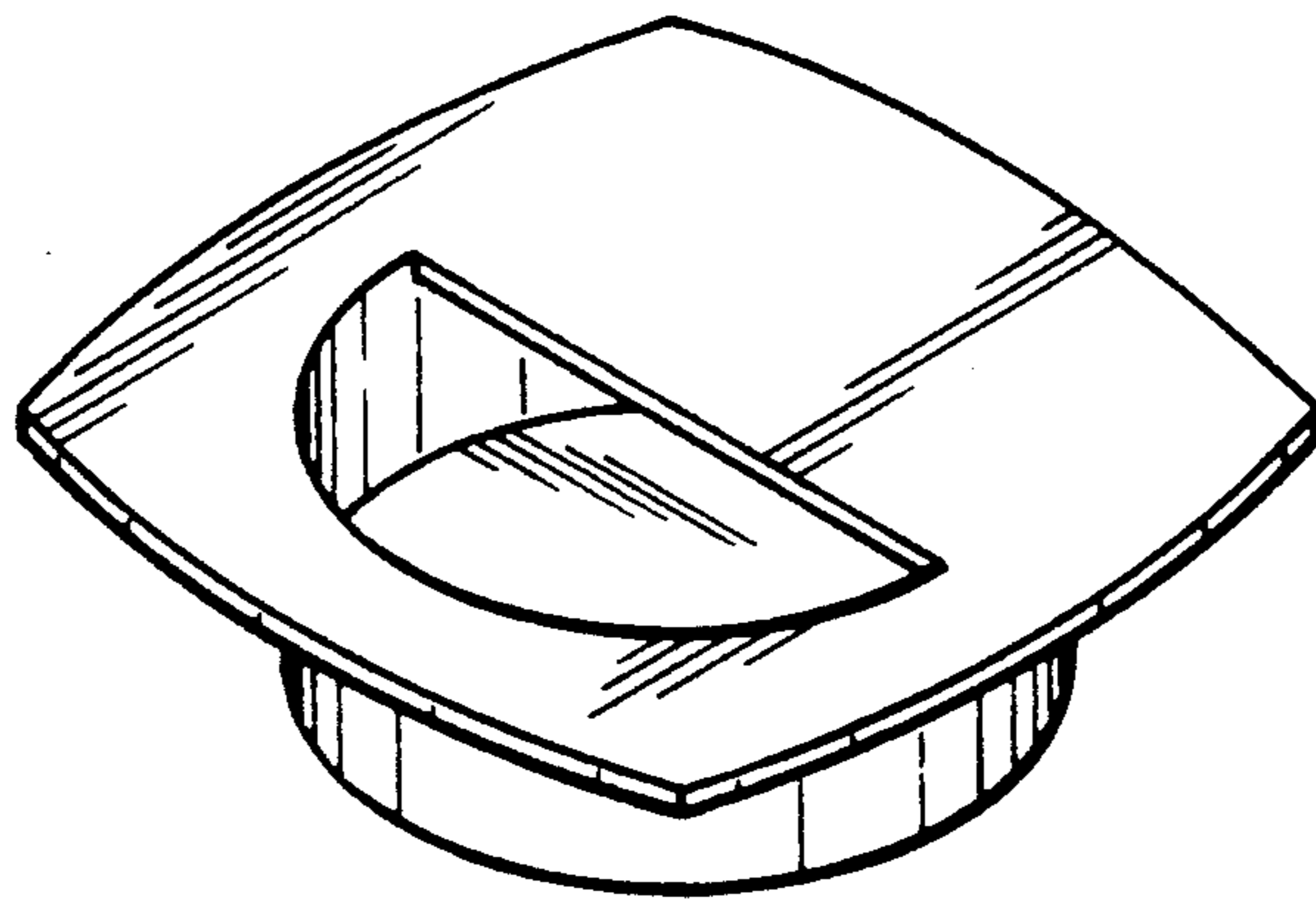


FIG. 1

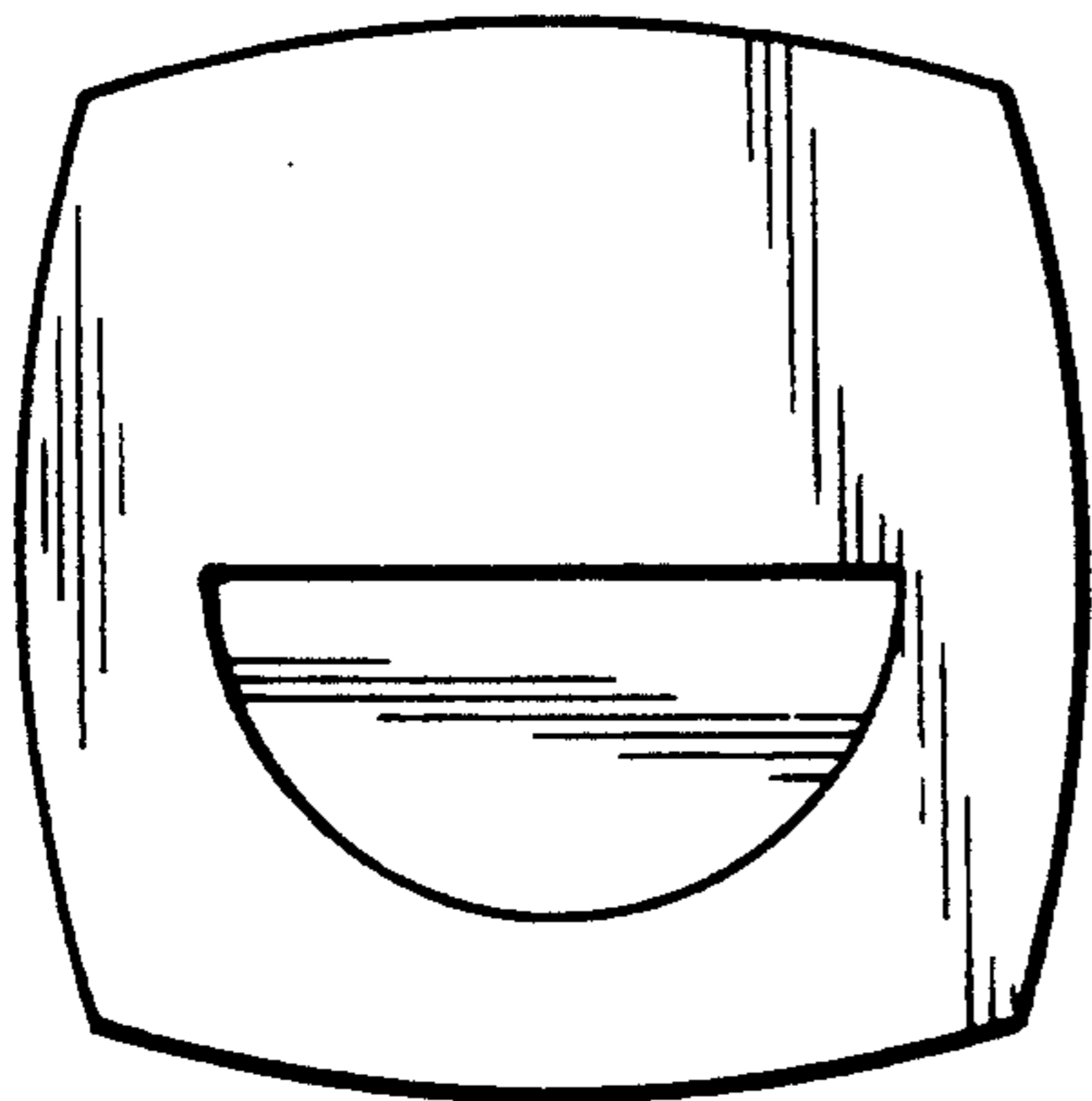


FIG. 2

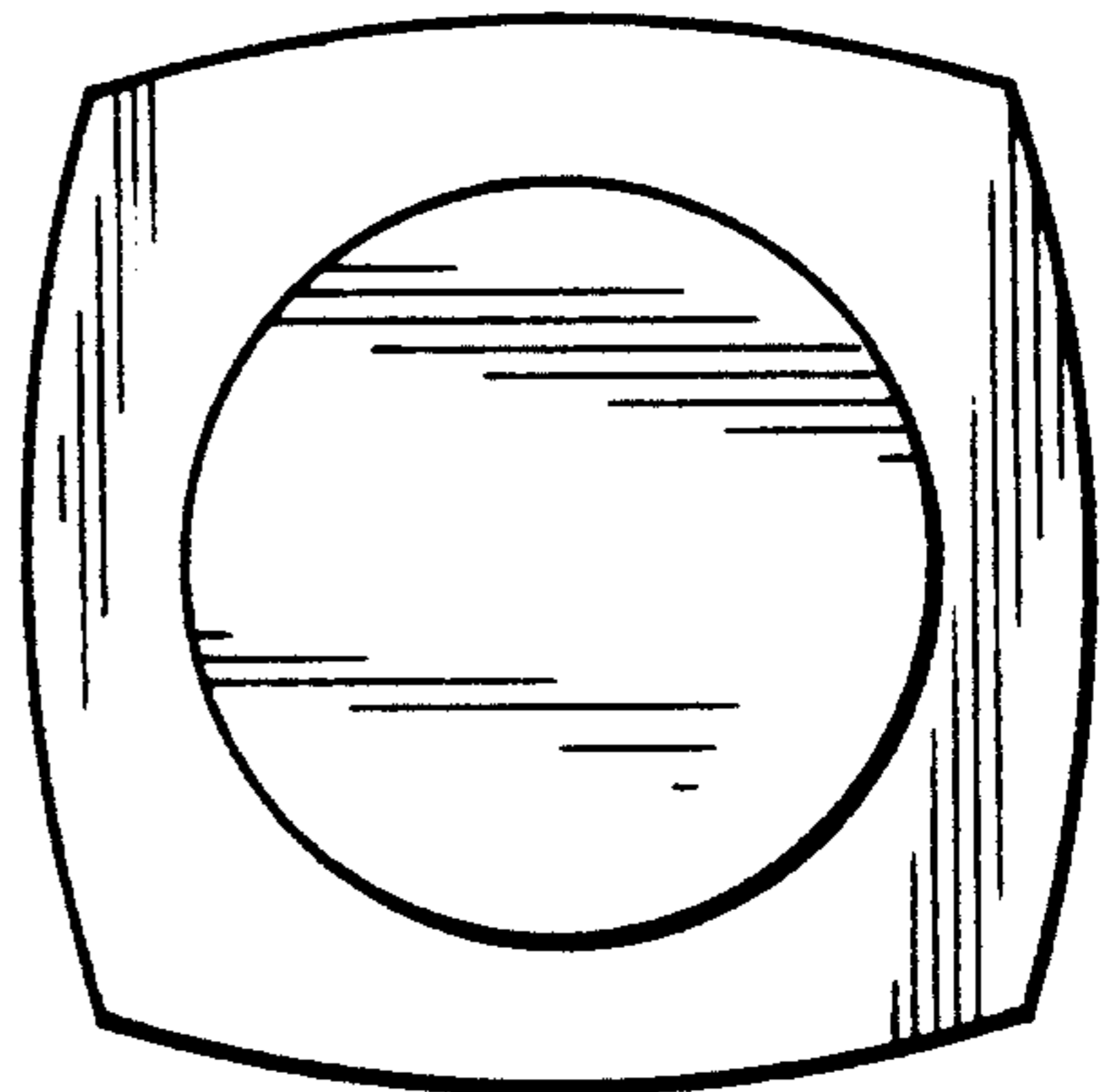


FIG. 3

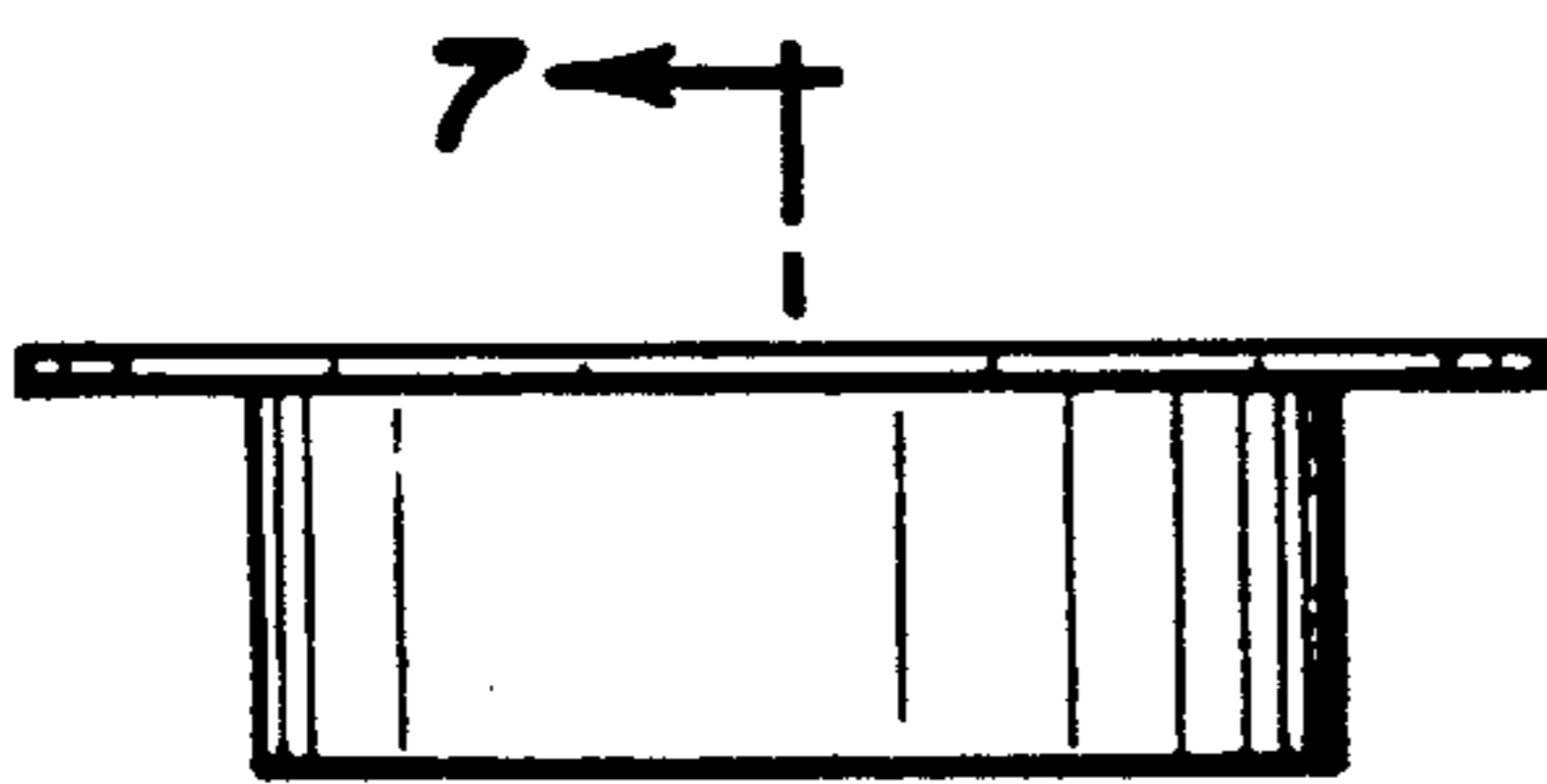


FIG. 4

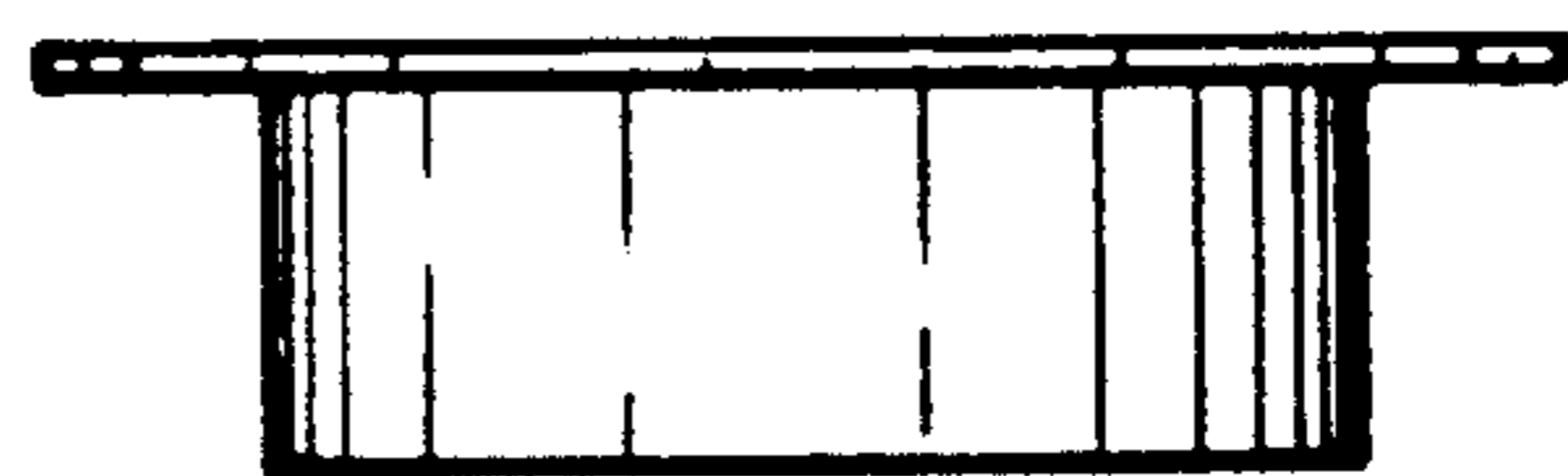


FIG. 5

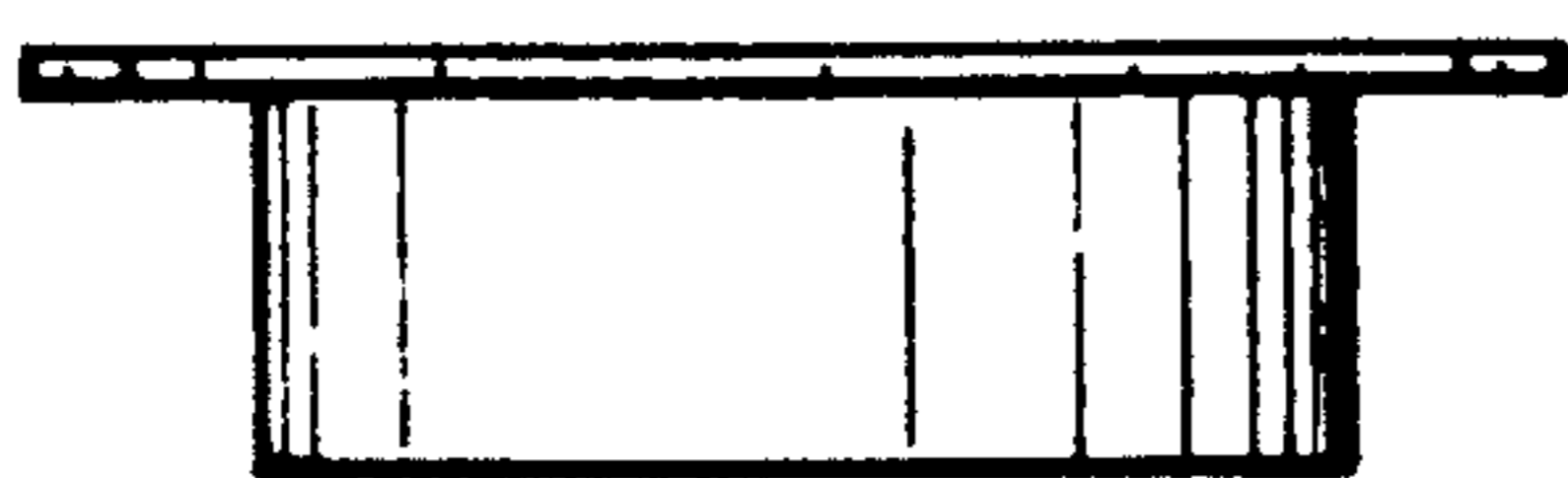


FIG. 6

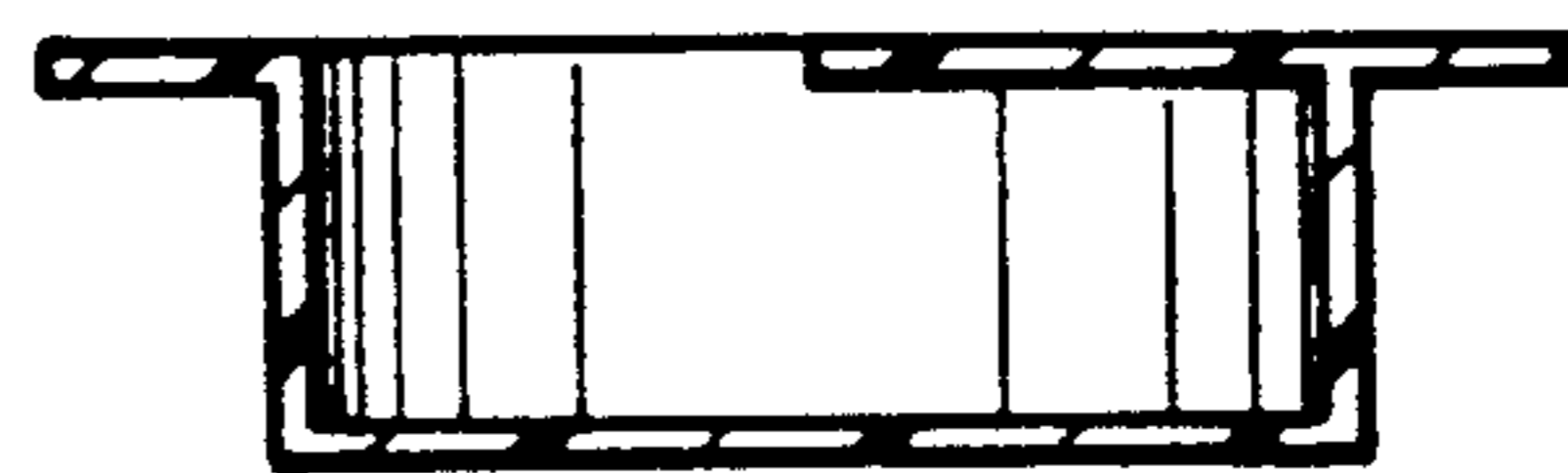


FIG. 7