



US00D342198S

United States Patent [19]

[11] Patent Number: Des. 342,198

Zamarripa

[45] Date of Patent: ** Dec. 14, 1993

[54] **HOLDER FOR HANGING POSTERS**

[76] Inventor: **Santiago J. Zamarripa**, 10337 Commodore, El Paso, Tex. 79924

[**] Term: **14 Years**

[21] Appl. No.: **795,083**

[22] Filed: **Nov. 30, 1991**

[52] U.S. Cl. **D8/14**

[58] Field of Search **D8/14; 294/19.1, 27.1, 294/29, 34, 33; 248/466, 231.8**

[56] **References Cited**

U.S. PATENT DOCUMENTS

| | | | |
|-----------|---------|----------------|----------|
| 3,469,878 | 9/1969 | De Haan | 294/19.1 |
| 3,477,757 | 11/1969 | English | 294/19.1 |
| 4,260,186 | 4/1981 | Sky-Eagle, Jr. | 294/19.1 |
| 4,490,198 | 12/1984 | Mitchell | 294/19.1 |
| 5,065,537 | 11/1991 | Bailey | 294/19.1 |

Primary Examiner—Bernard Ansher

Assistant Examiner—Philip Hyder
Attorney, Agent, or Firm—Richard C. Litman

[57] **CLAIM**

The ornamental design for a holder for hanging posters, as shown and described.

DESCRIPTION

FIG. 1 is a bottom front and right side perspective view of a holder for hanging posters, showing my new design;

FIG. 2 is a right side elevational view thereof, shown fragmentarily for ease of illustration;

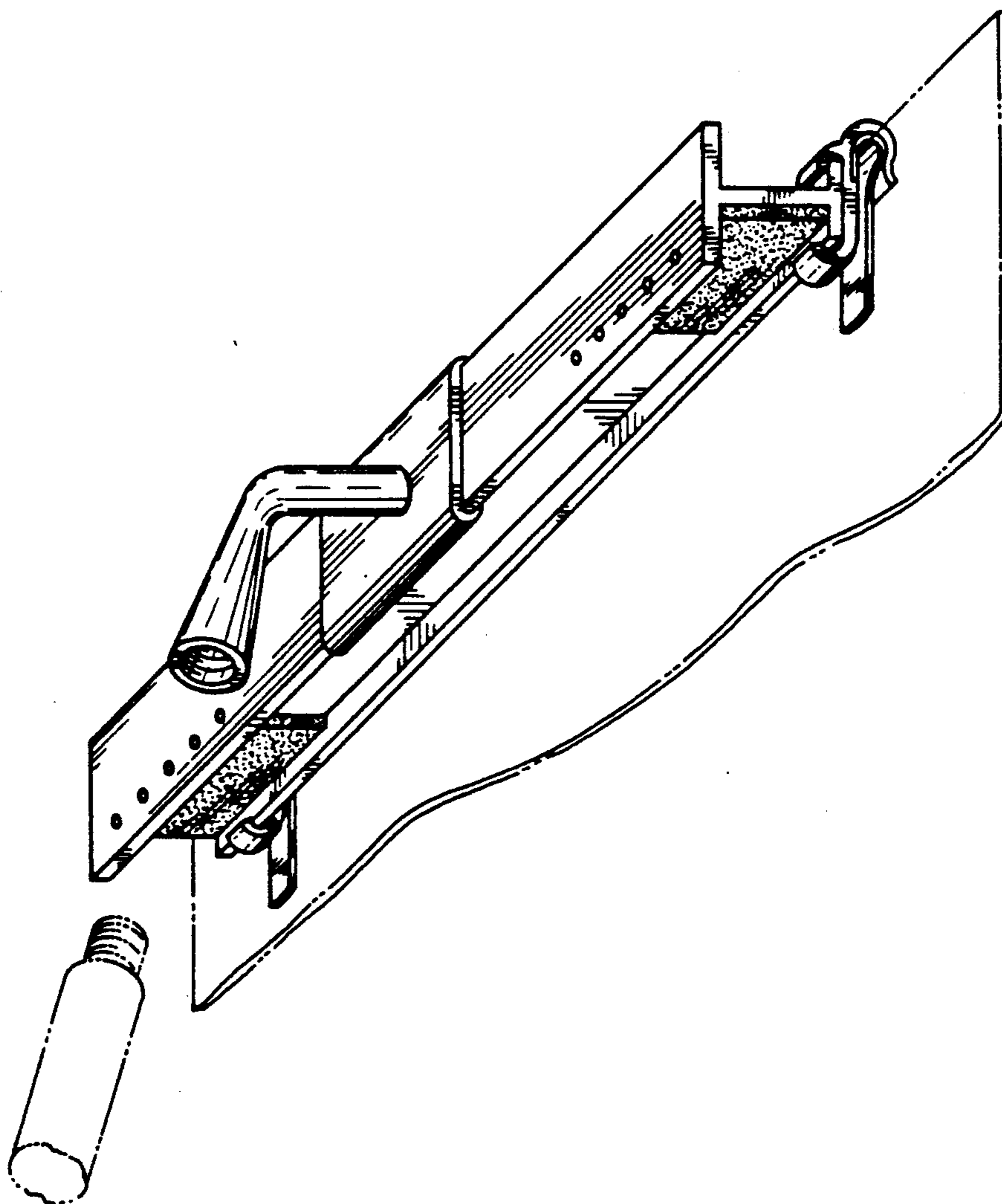
FIG. 3 is a front elevational view thereof, shown fragmentarily for ease of illustration;

FIG. 4 is a rear elevational view of FIG. 3;

FIG. 5 is a top plan view of FIG. 3; and,

FIG. 6 is a bottom plan view of FIG. 3.

The broken line showing of the extension rod and poster are for illustrative purposes only and form no part of the claimed design.



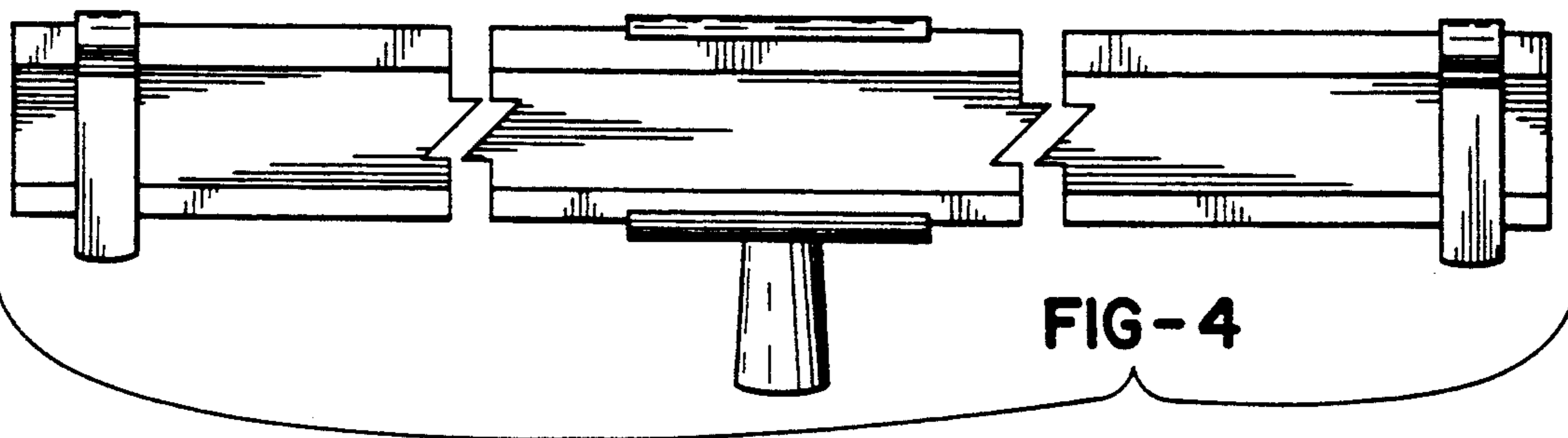
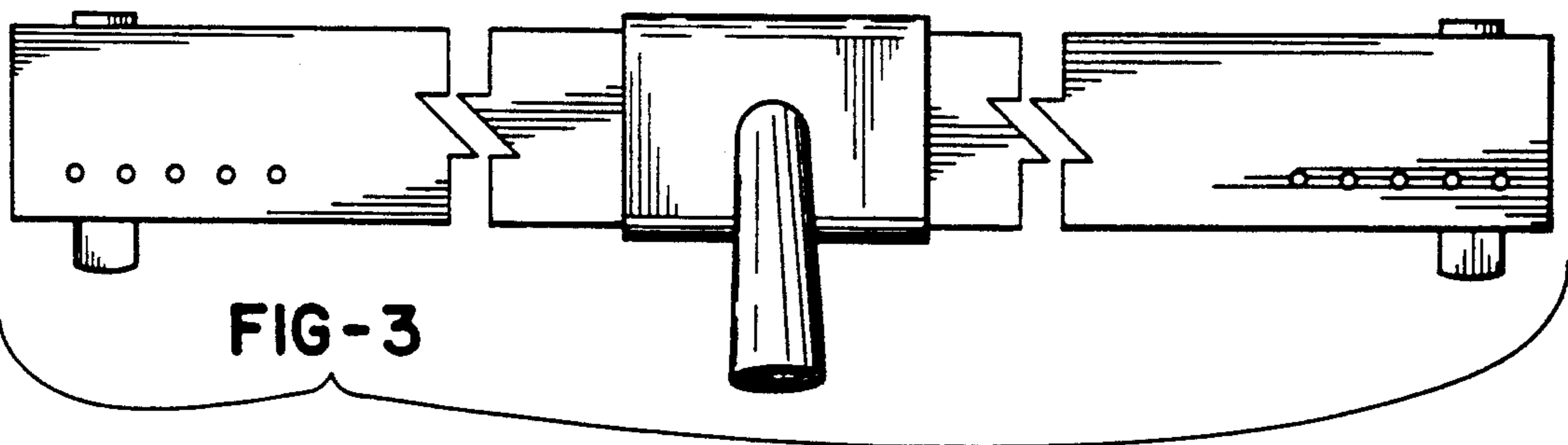
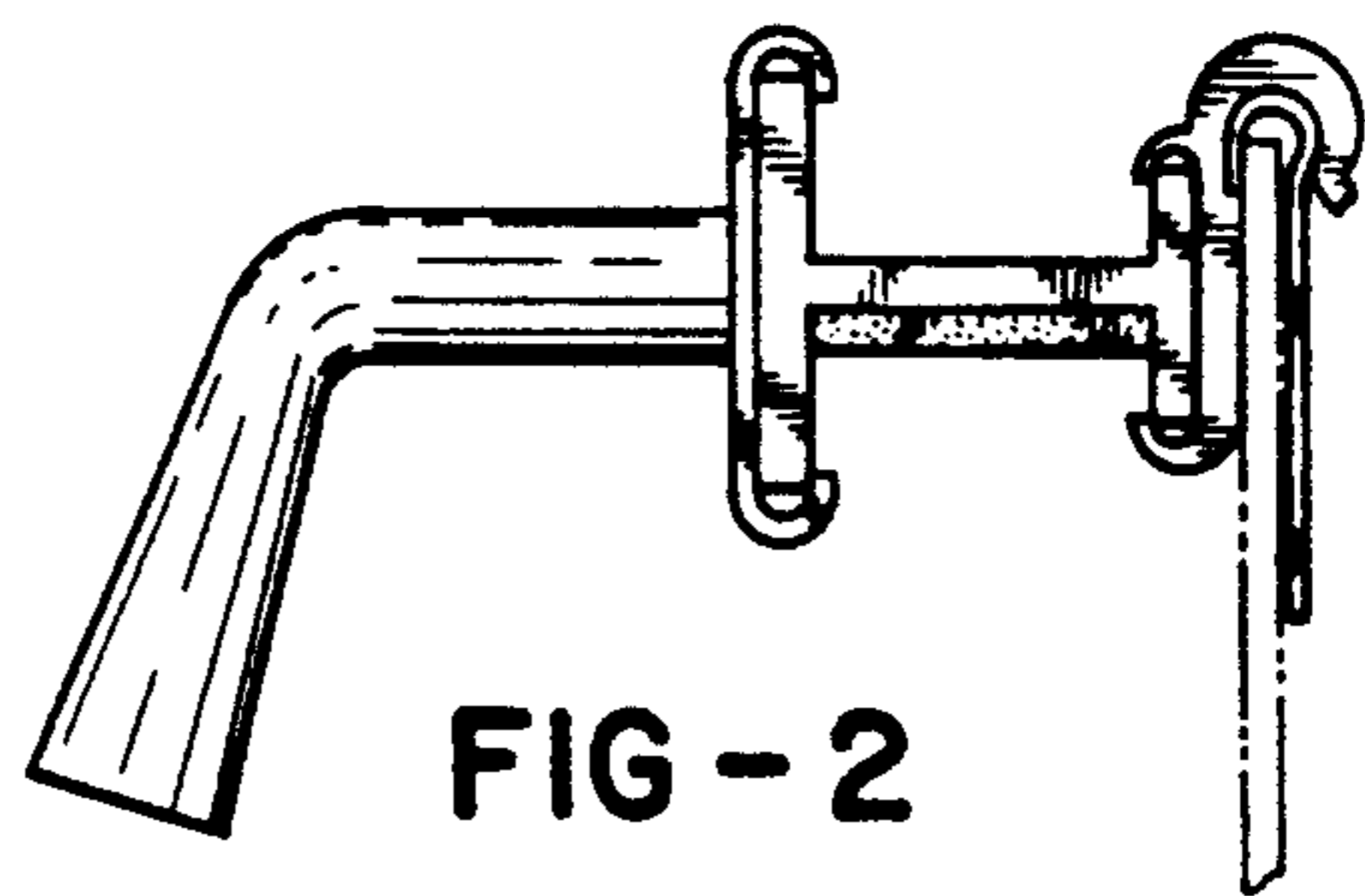
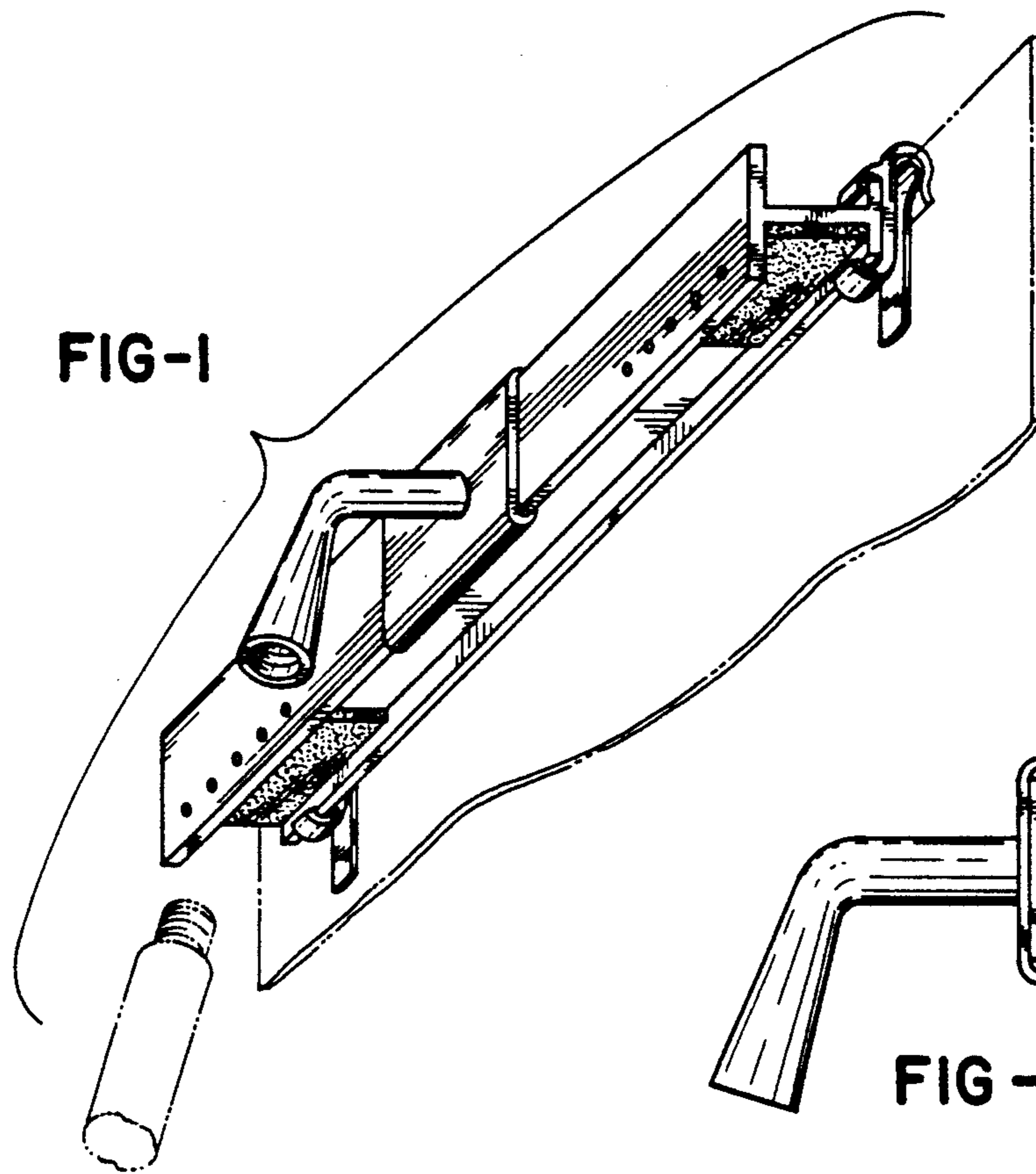


FIG - 5

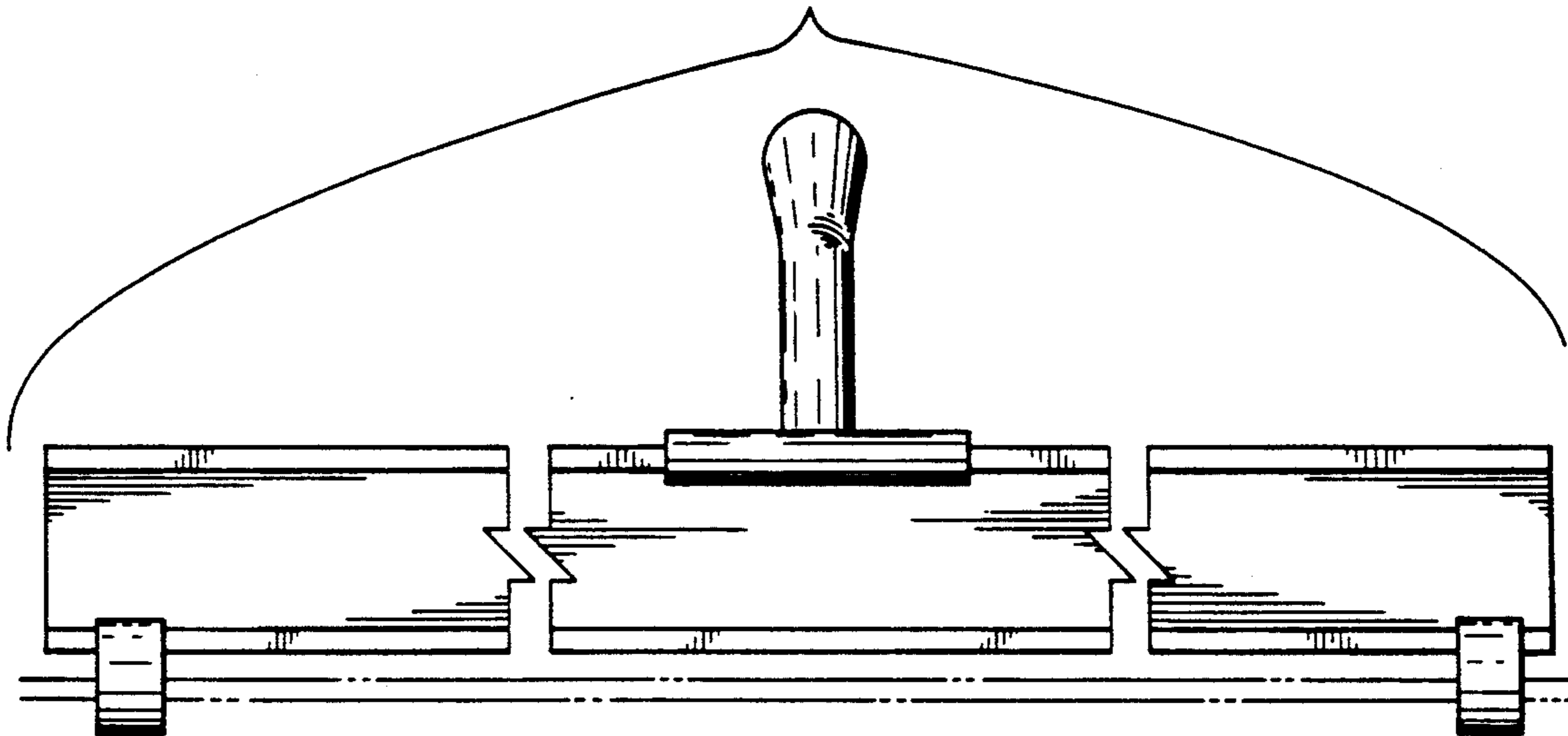


FIG - 6

