



US00D342196S

United States Patent [19]

[11] Patent Number: **Des. 342,196**

Lopack

[45] Date of Patent: **** Dec. 14, 1993**

[54] **COOKING-OIL SPREADER CLAMP**

[76] Inventor: **Ronald G. Lopack**, 14826 Fairlynn Dr., Fountain Hill, Ariz. 85268

[**] Term: **14 Years**

[21] Appl. No.: **5,117**

[22] Filed: **Feb. 19, 1993**

FOREIGN PATENT DOCUMENTS

2302488	7/1974	Fed. Rep. of Germany	15/150
619265	3/1961	Italy	15/150
649155	11/1962	Italy	15/150

Primary Examiner—Terry A. Wallace
Attorney, Agent, or Firm—Antonio R. Durando; Harry M. Weiss

Related U.S. Application Data

[63] Continuation of Ser. No. 915,296, Jul. 20, 1992.

[52] U.S. Cl. **D7/688; D32/44**

[58] Field of Search **D7/674, 685, 687, 688; D32/44; 15/143.1, 146, 147.1, 147.2, 150-153, 176.5, 228; 401/25, 118, 123, 202**

[57] **CLAIM**

The ornamental design for a cooking-oil spreader clamp, as shown and described.

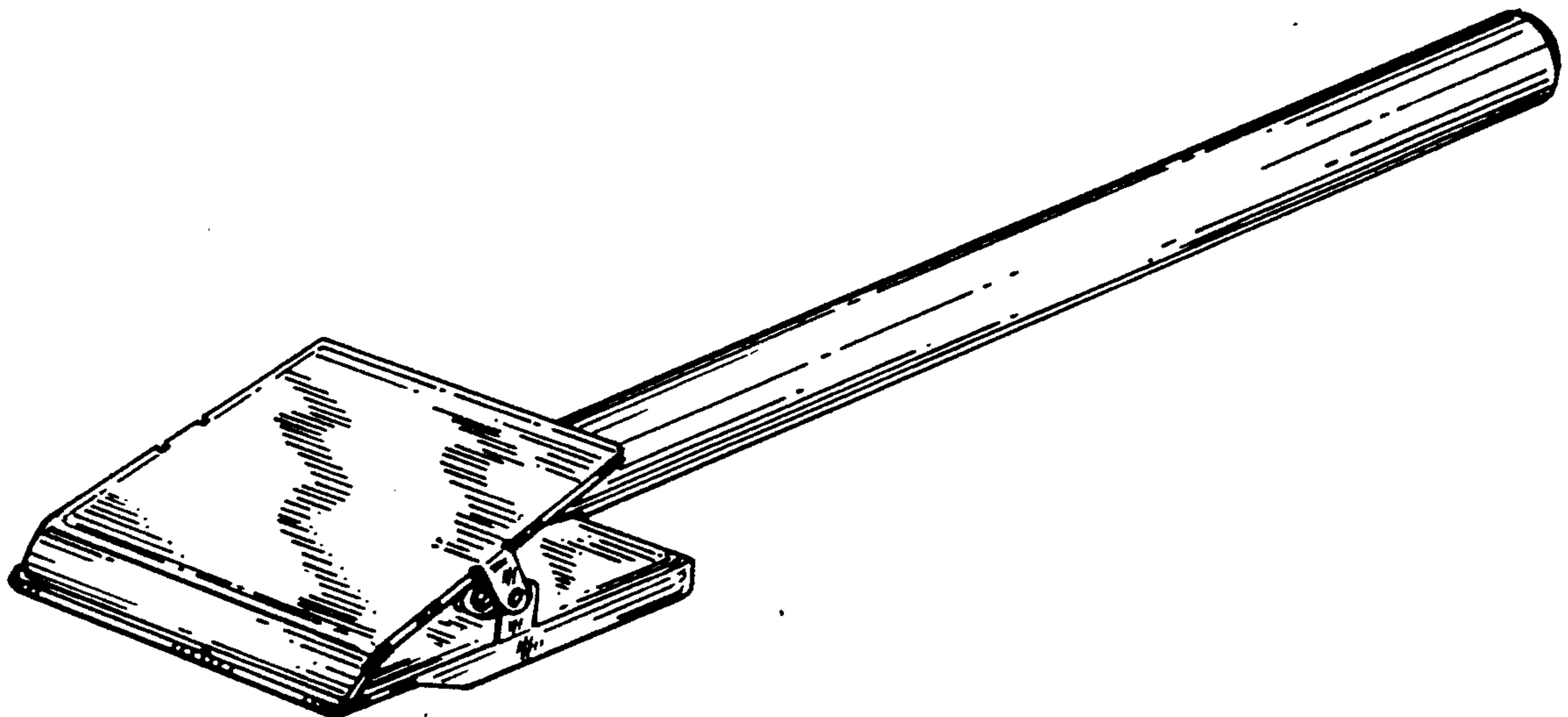
[56] **References Cited**

U.S. PATENT DOCUMENTS

D. 192,316	3/1962	Hosley	D32/44
1,644,799	10/1927	Toplitz	15/150
2,861,287	11/1958	Scalf	15/150 X
3,863,289	2/1975	Whittaker	15/228

DESCRIPTION

FIG. 1 is a top, front, right side perspective view of the cooking-oil spreader clamp showing my new design; FIG. 2 is a rear, right side perspective view thereof; FIG. 3 is a top plan view thereof; FIG. 4 is a left side elevational view thereof, the opposite side being a mirror image; FIG. 5 is a bottom plan view thereof; and, FIG. 6 is a top plan view of an alternate embodiment of FIG. 1, the remaining views being similar to those shown in the first embodiment.



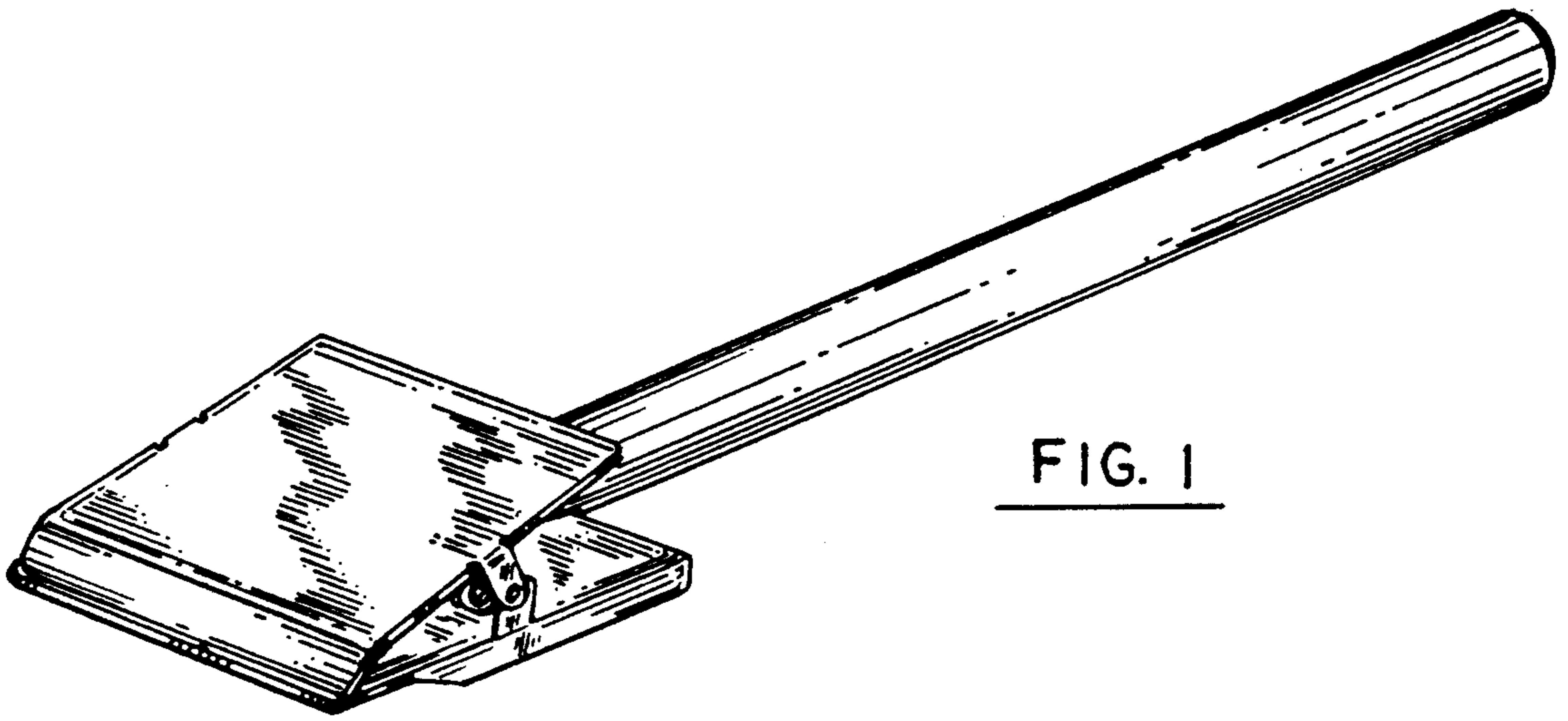


FIG. 1

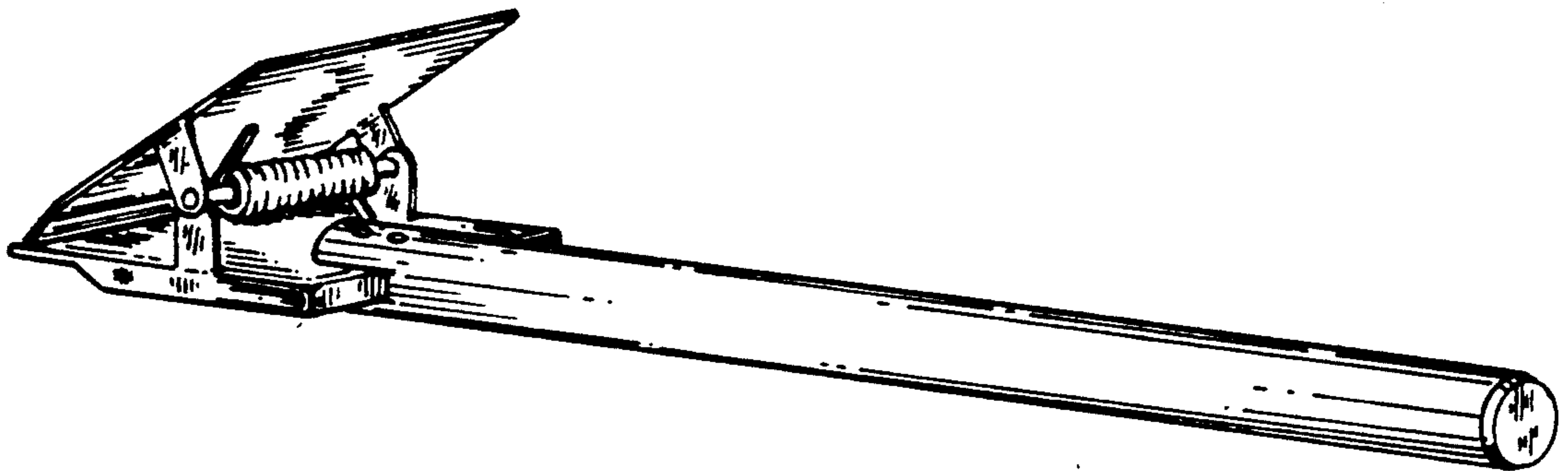


FIG. 2

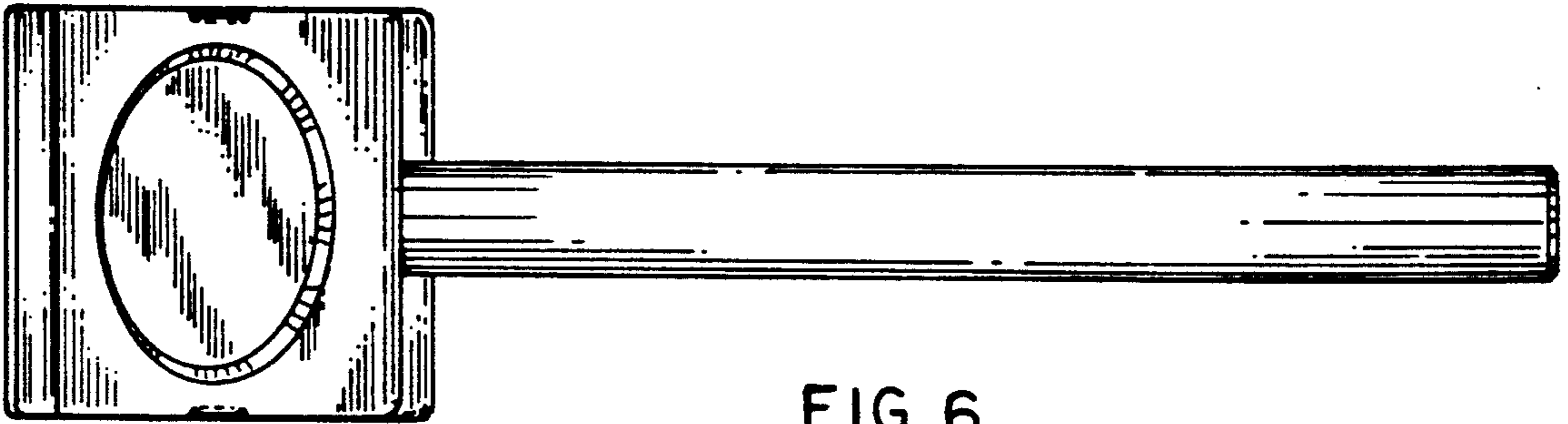


FIG. 6

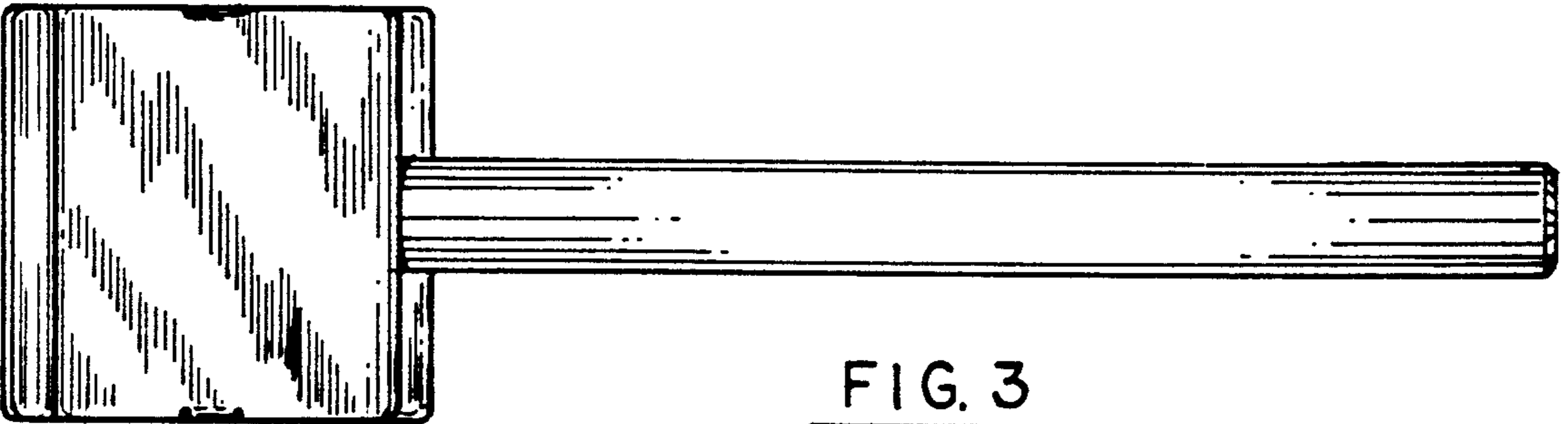


FIG. 3

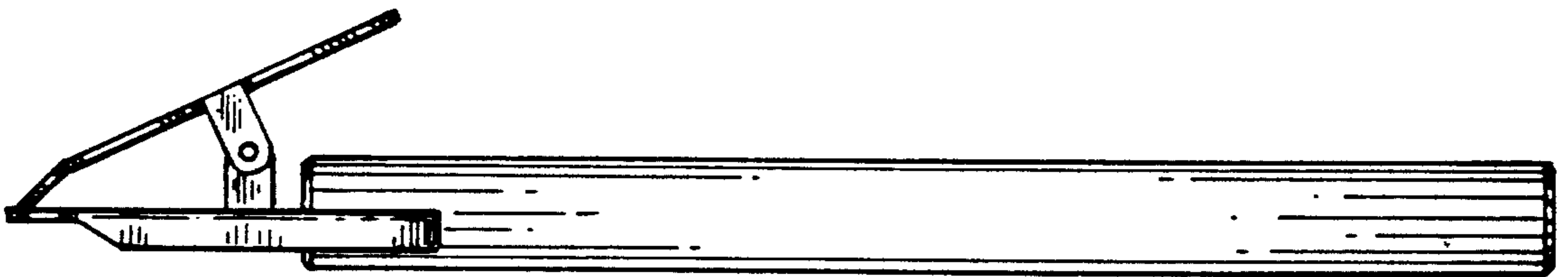


FIG. 4

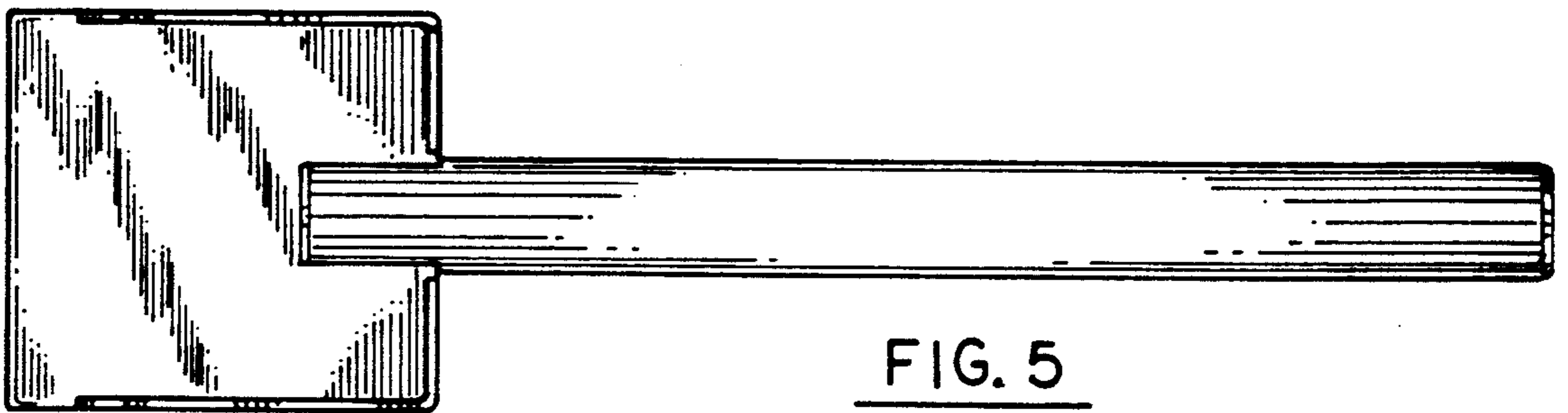


FIG. 5