



US00D342191S

# United States Patent [19] Cronk

[11] Patent Number: **Des. 342,191**

[45] Date of Patent: **\*\* Dec. 14, 1993**

[54] **BOTTLE KEEPER**

2,946,456 7/1960 Liguori .

4,238,035 12/1980 Kassanchuk .

[76] Inventor: **Donna P. Cronk, 4 Ashworth Ave.,  
Hampton Beach, N.H. 03842**

### OTHER PUBLICATIONS

Fisher Price Bottle Organizer, date unknown.

[\*\*] Term: **14 Years**

*Primary Examiner*—Terry A. Wallace

[21] Appl. No.: **875,150**

*Attorney, Agent, or Firm*—Jacobson, Price, Holman &  
Stern

[22] Filed: **Apr. 28, 1992**

[52] U.S. Cl. .... **D7/616**

[58] Field of Search ..... **D7/616-623;  
D24/199; 211/59.1, 71, 74**

### [57] CLAIM

The ornamental design for a bottle keeper, as shown  
and described.

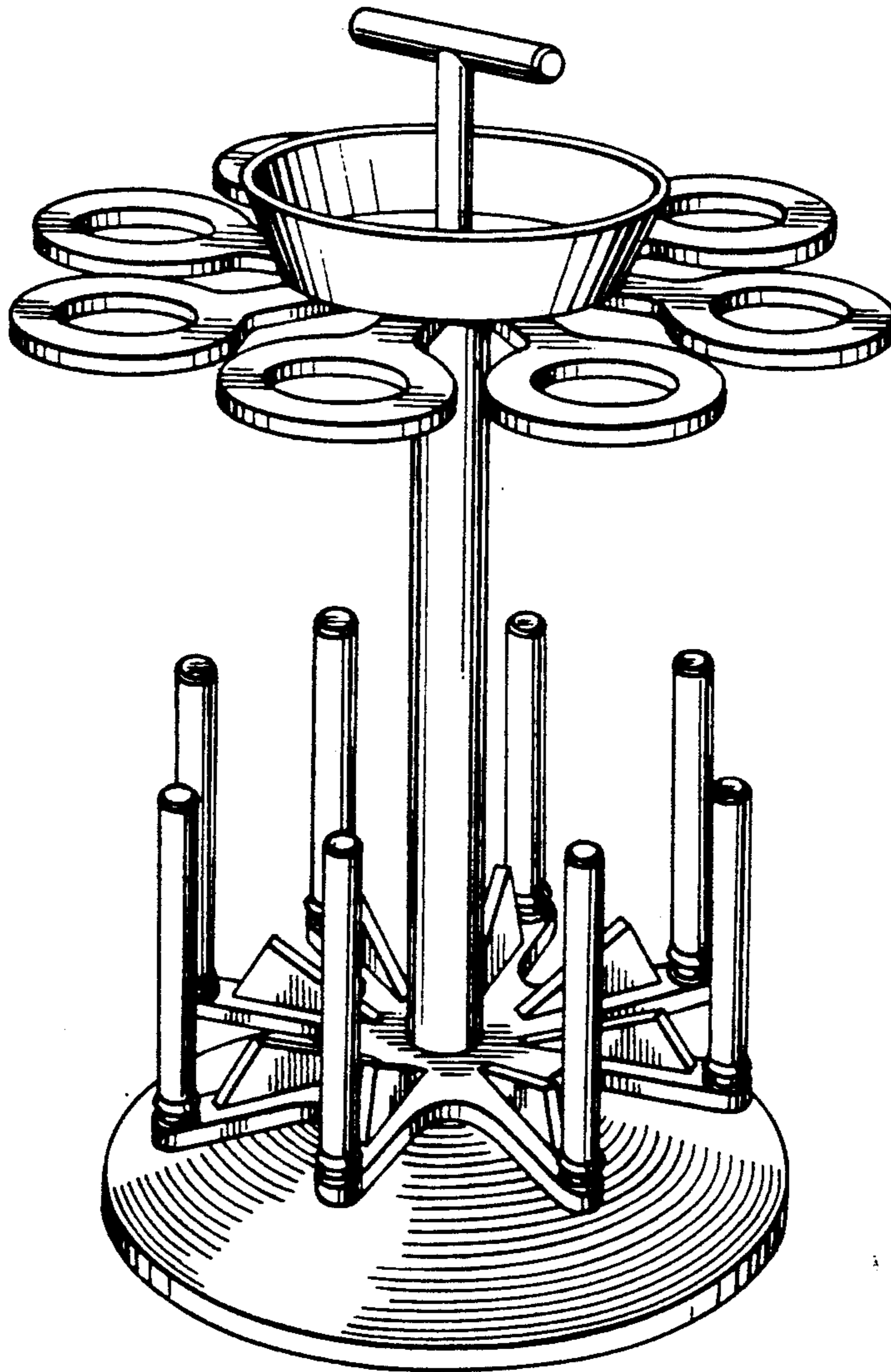
### [56] References Cited

#### U.S. PATENT DOCUMENTS

- D. 182,742 5/1958 Rennels ..... D7/616
- D. 189,724 2/1961 Herrick, Sr. .... D7/616 X
- D. 271,913 12/1983 Nanfito et al. .
- 616,737 12/1898 Schuster .
- 1,569,585 1/1926 Shover .
- 2,612,999 10/1952 Zeis .

### DESCRIPTION

FIG. 1 is a perspective view showing my new design  
for a bottle keeper,  
FIG. 2 is a top plan view thereof,  
FIG. 3 is a side view thereof, with the dotted lines for  
illustrative purposes only, and,  
FIG. 4 is a bottom plan view thereof.



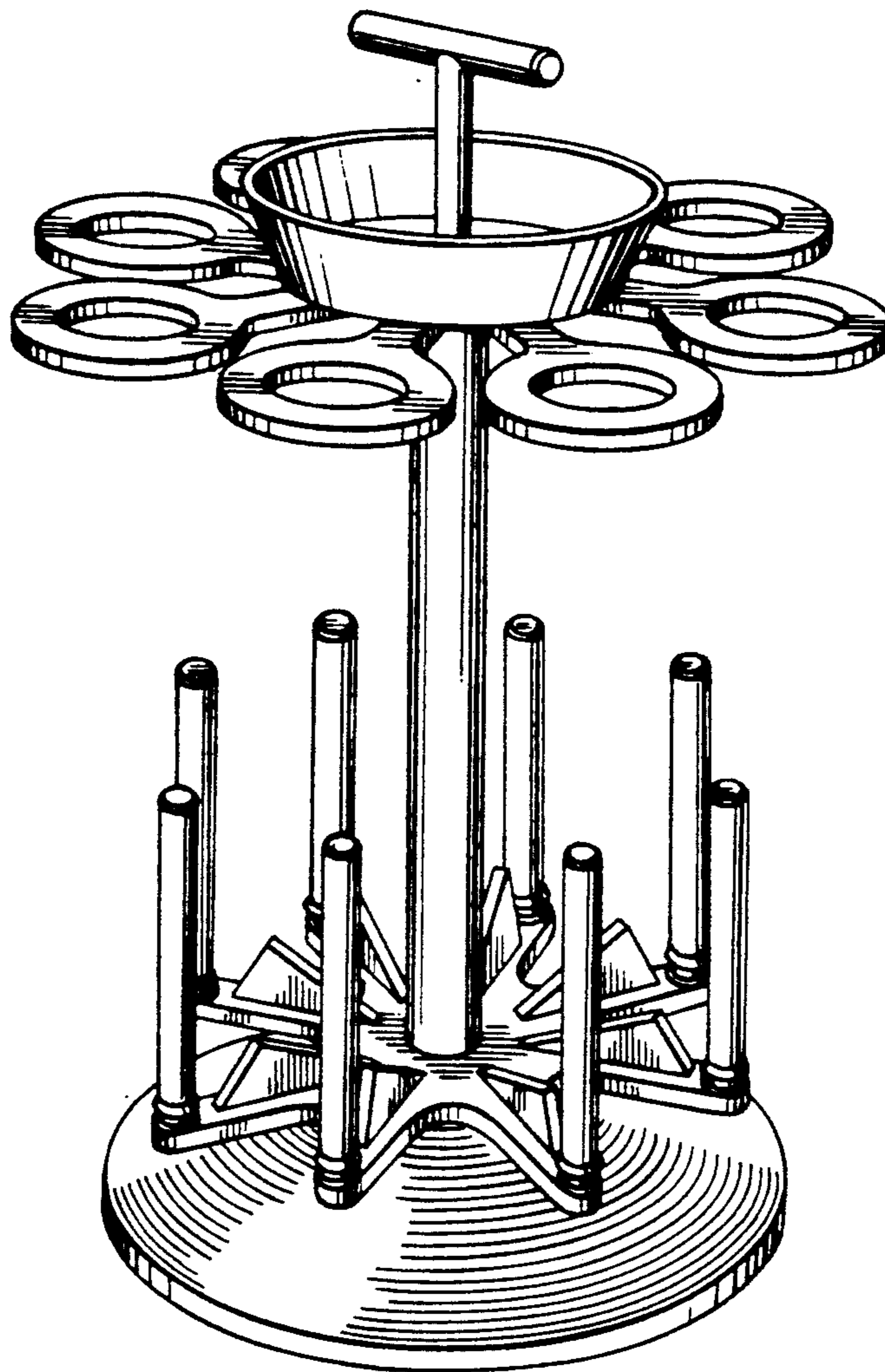


FIG. 1

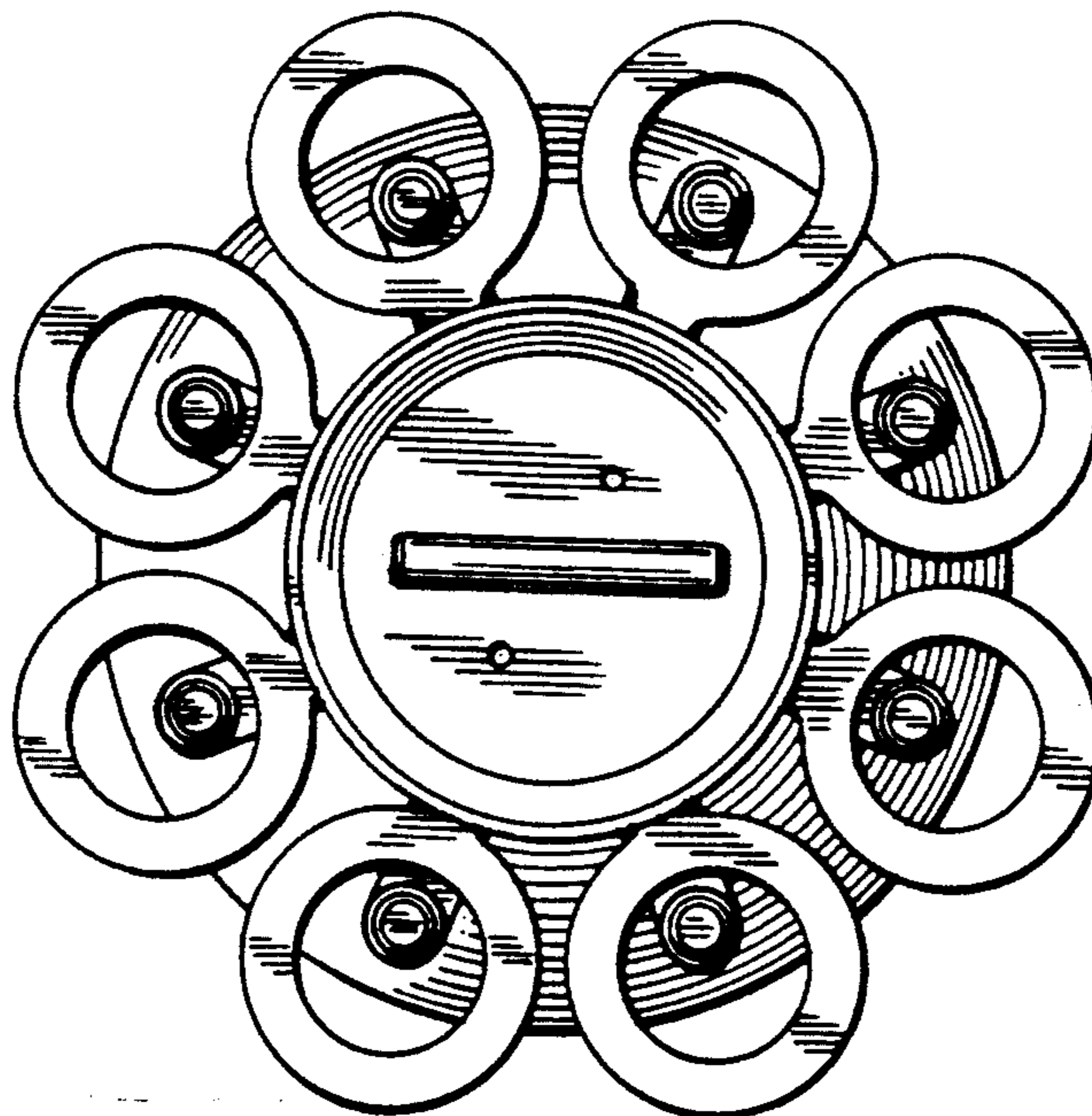


FIG. 2

FIG. 3

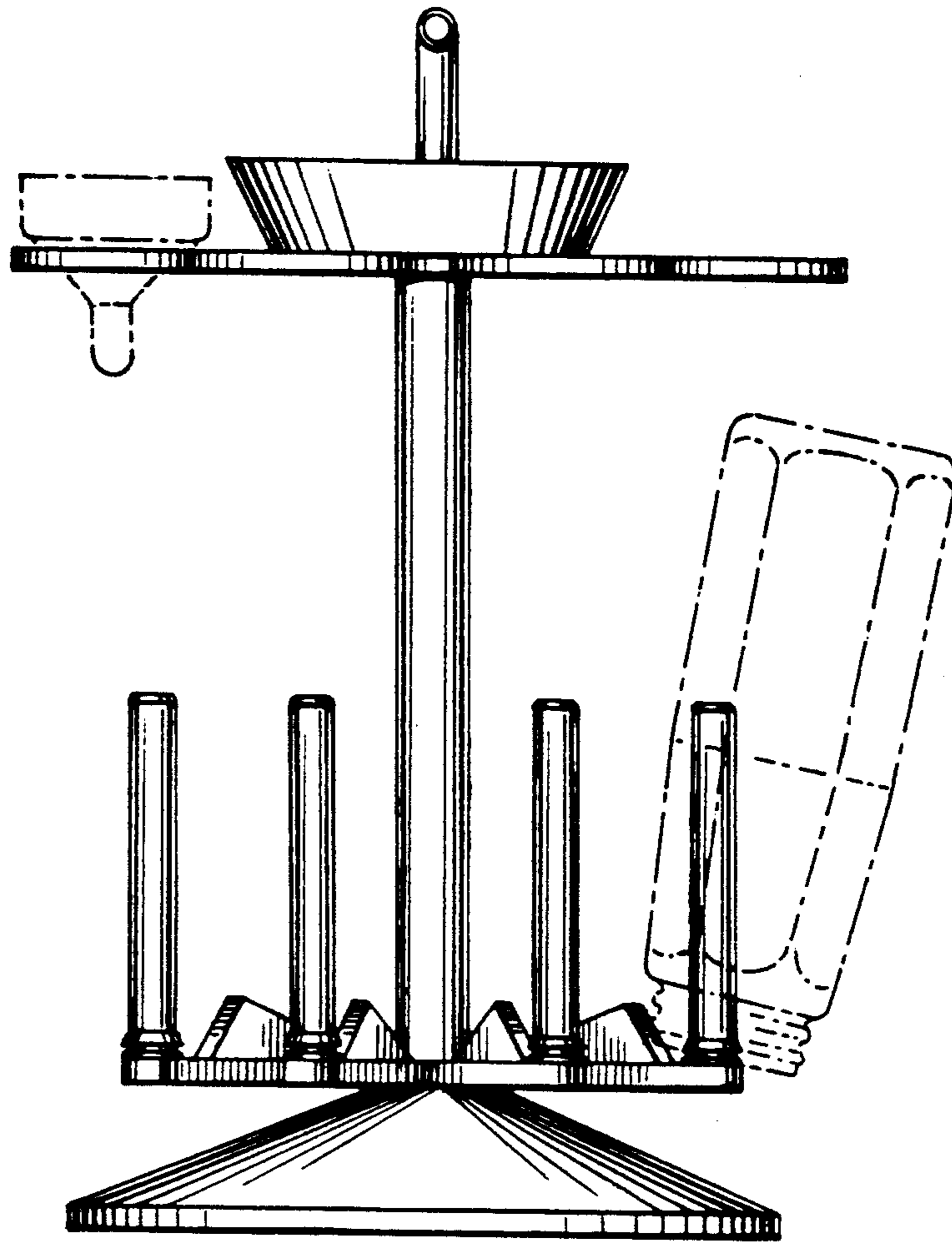


FIG. 4

