



US00D342189S

# United States Patent [19]

[11] Patent Number: **Des. 342,189**

Smith et al.

[45] Date of Patent: **\*\* Dec. 14, 1993**

- [54] COVERED MUG
- [75] Inventors: **Douglas W. Smith; Robert E. Dawson,**  
both of Ridgefield, Conn.
- [73] Assignee: **Douglas R. Eger, Houston, Tex.**
- [\*\*] Term: **14 Years**
- [21] Appl. No.: **745,532**
- [22] Filed: **Aug. 15, 1991**
- [52] U.S. Cl. .... **D7/510; D7/511;**  
**D7/536**
- [58] Field of Search ..... **D7/511, 509, 510, 533,**  
**D7/534, 536, 515, 322, 326, 317, 318, 319, 500,**  
**507, 513, 316, 535, 321, 538; 222/470, 472,**  
**465.1, 475, 131; 220/711, 714; 215/12.1**

- 4,127,211 11/1978 Zerbey ..... D7/511 X
- 4,165,013 8/1979 Lutz ..... 220/714 X
- 4,212,408 7/1980 Valenzona .
- 4,276,992 7/1981 Susich ..... D7/510 X
- 4,303,173 12/1981 Nergard .
- 4,489,840 12/1984 De Fretias .
- 4,735,333 4/1988 Lay et al. .... D7/511 X
- 4,779,754 10/1988 Ten Eyck et al. .
- 4,927,047 5/1990 Stuber et al. .... 215/12.1 X
- 5,082,134 1/1992 Ramsey ..... 220/711

[56] **References Cited**

**U.S. PATENT DOCUMENTS**

- D. 195,376 6/1963 Curtis .
- D. 195,685 7/1963 Cornelius ..... D7/317
- D. 258,484 3/1981 Slepicka .
- D. 286,967 12/1986 Appel .
- D. 321,455 11/1991 Duquaine, Jr. et al. .... D7/326 X
- 3,512,686 5/1970 Penniman ..... 222/472
- 3,715,895 2/1973 Devlin ..... D7/511 X
- 3,760,972 9/1973 McKirnan .

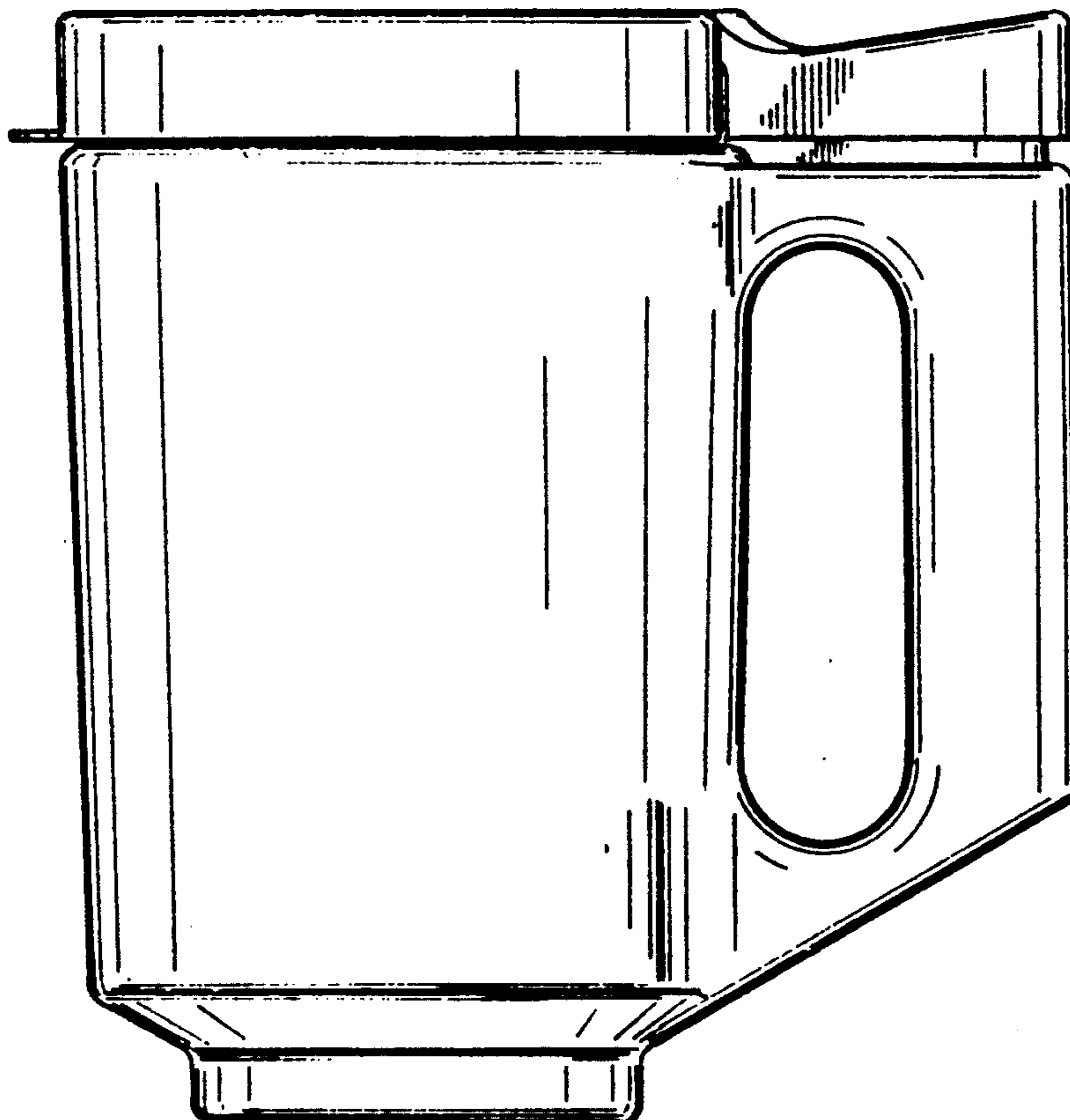
*Primary Examiner*—Alan P. Douglas  
*Assistant Examiner*—M. N. Pandozzi  
*Attorney, Agent, or Firm*—Browning, Bushman,  
 Anderson & Brookhart

[57] **CLAIM**

The ornamental design for a covered mug, as shown and described.

**DESCRIPTION**

FIG. 1 is a right side elevational view of a covered mug showing our new design, the left side elevational view being a mirror image thereof;  
 FIG. 2 is a front elevational view thereof;  
 FIG. 3 is a rear elevational view thereof;  
 FIG. 4 is a top plan view thereof; and,  
 FIG. 5 is a bottom plan view thereof.



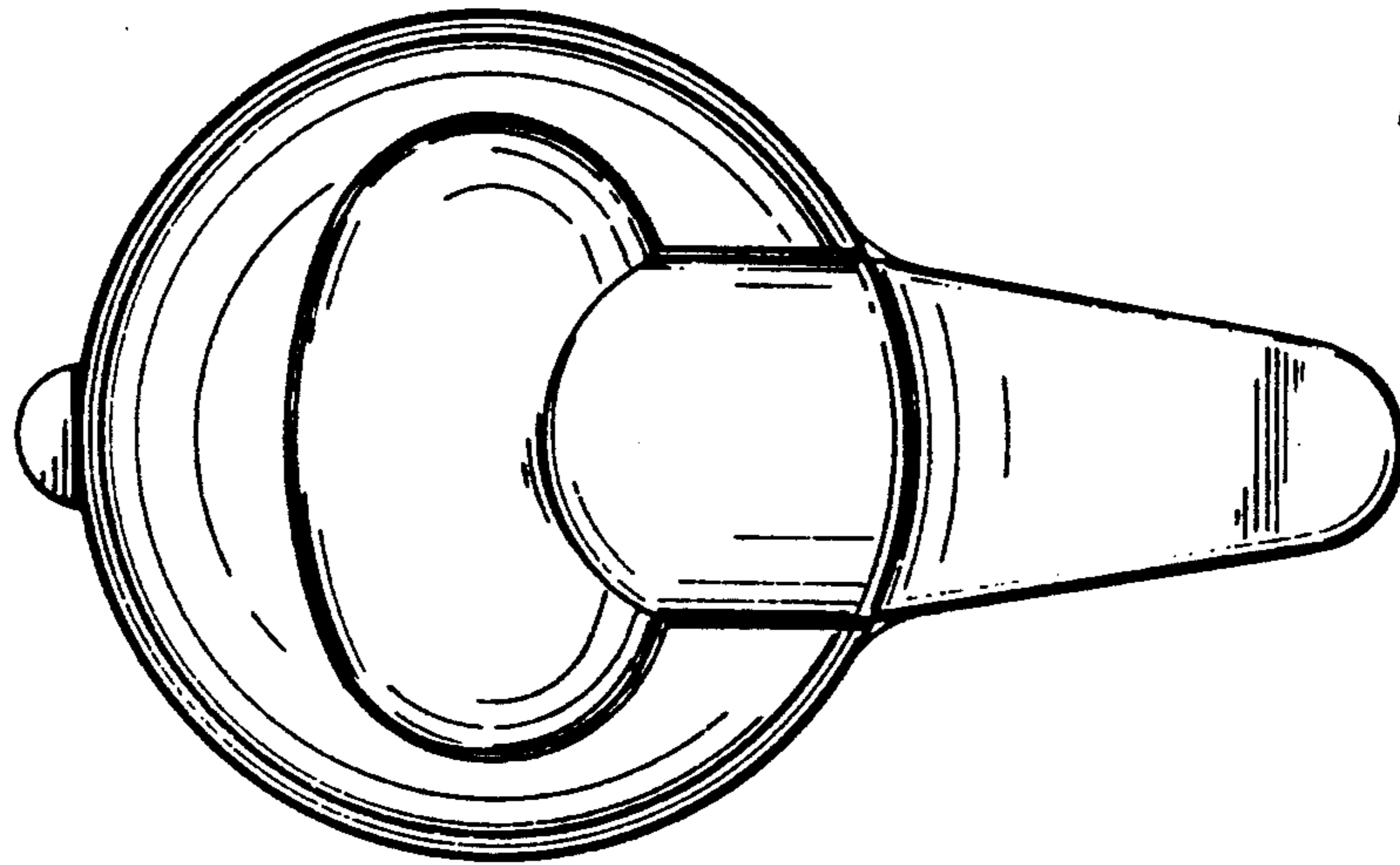


FIG. 4

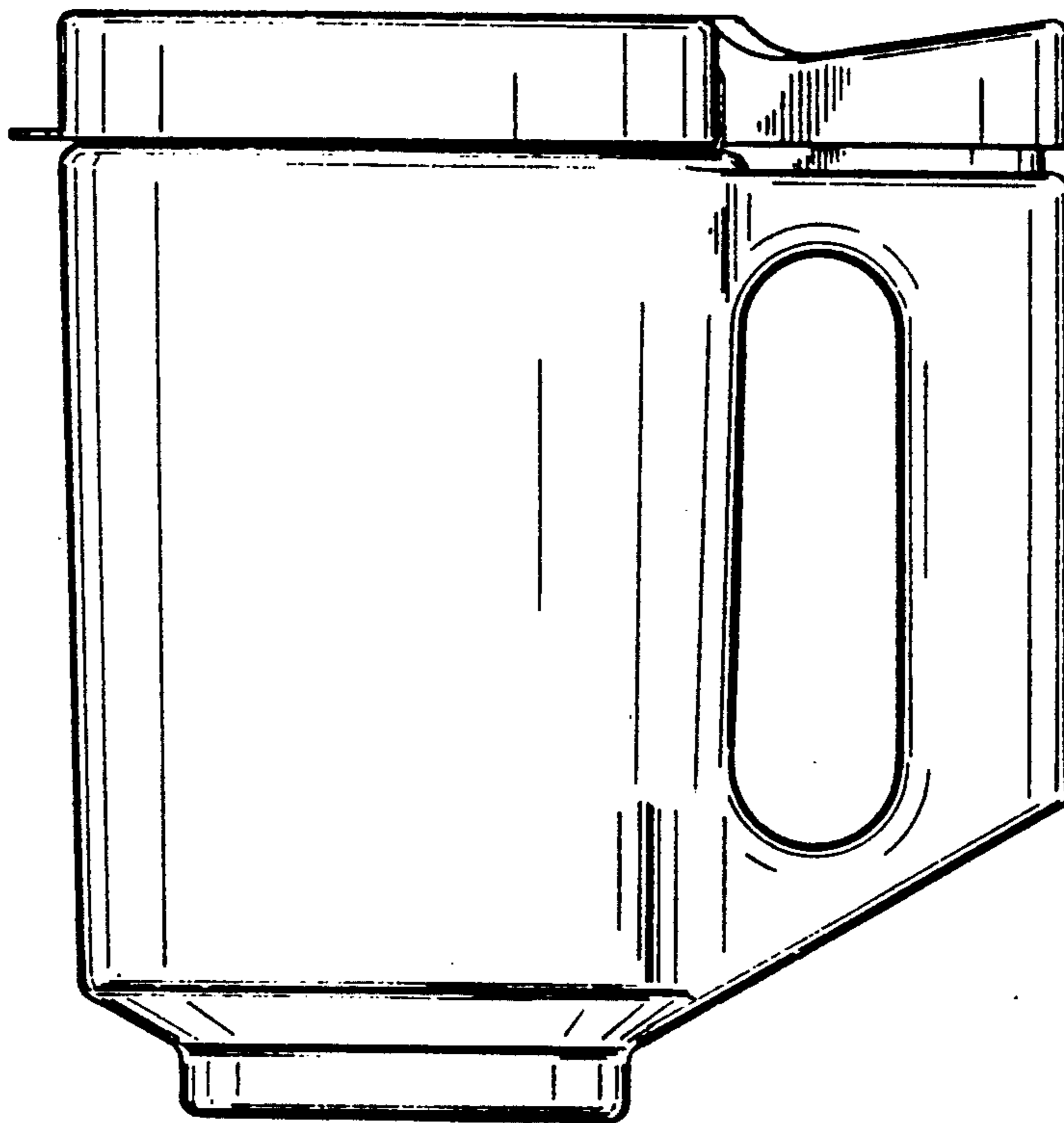


FIG. 1

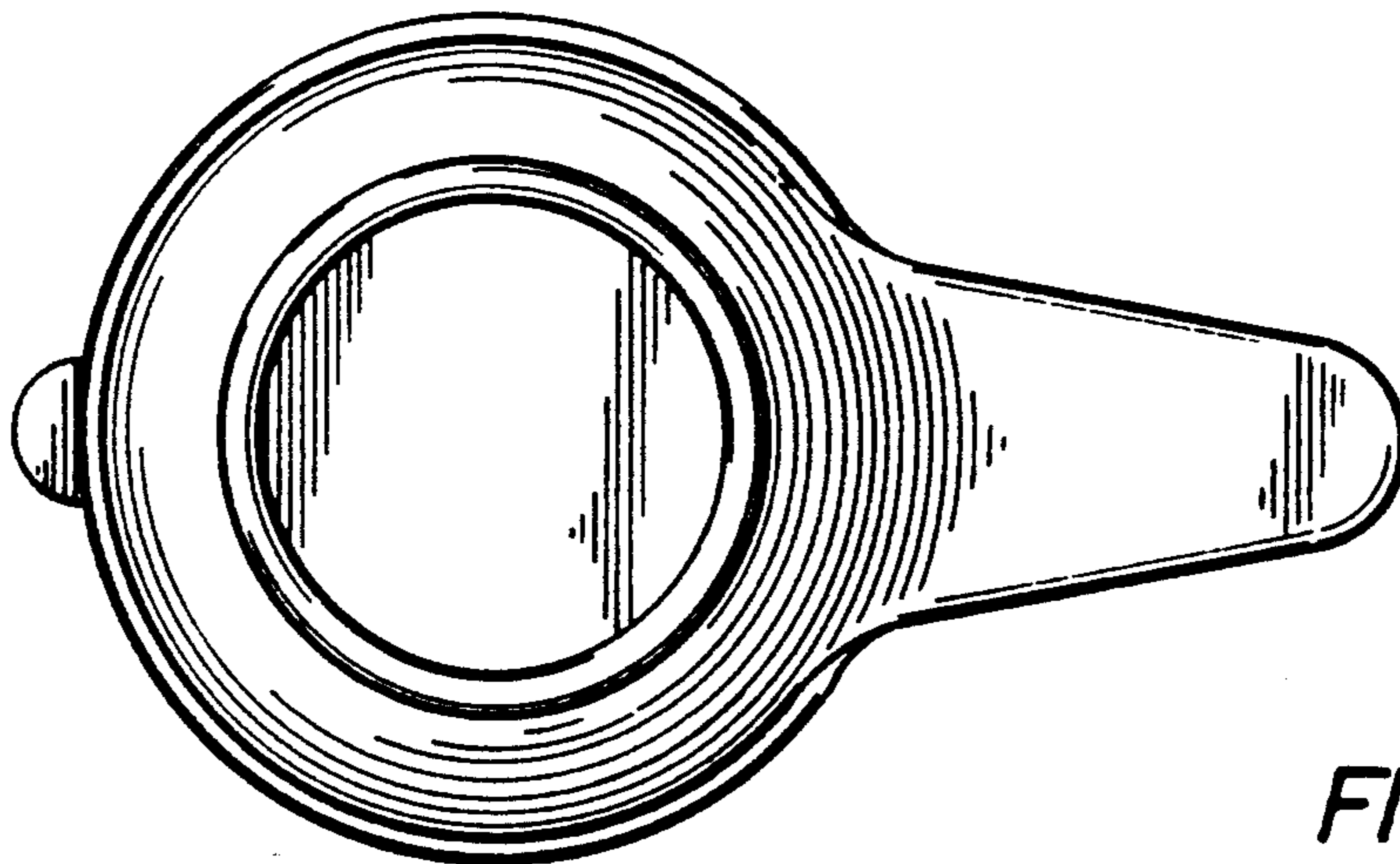
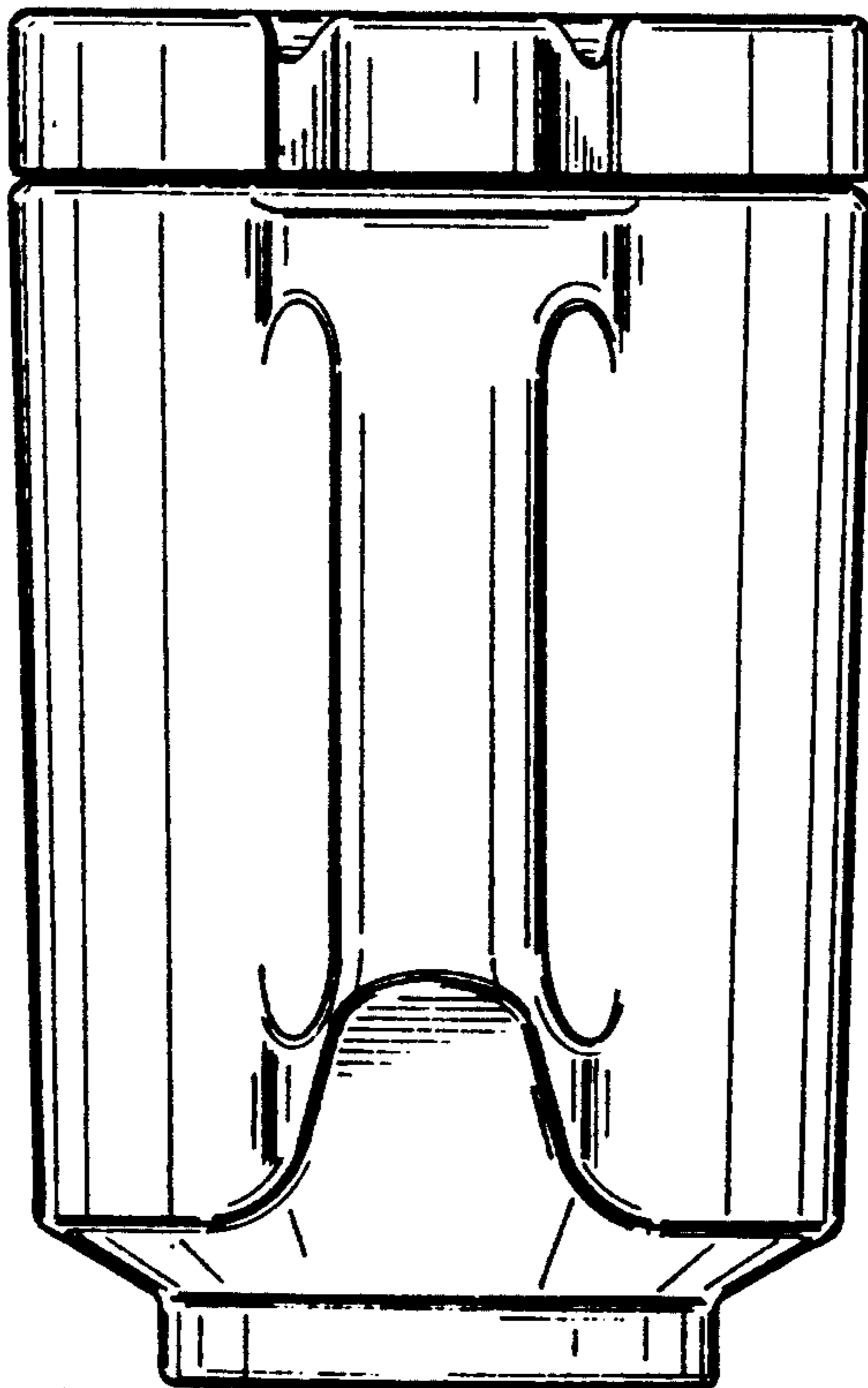
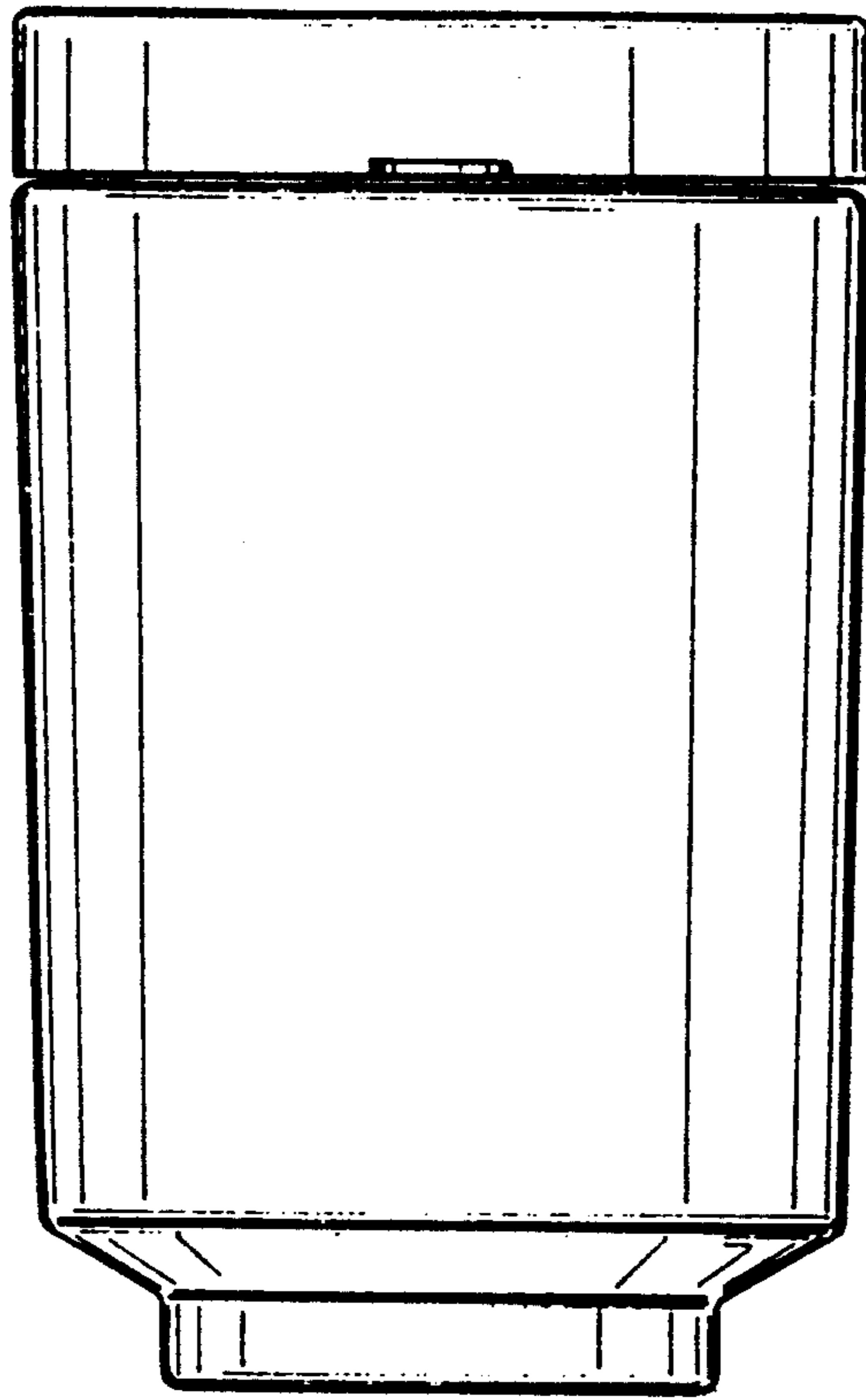


FIG. 5

*FIG. 2*



*FIG. 3*