



US00D342184S

United States Patent [19] Sanchez

[11] Patent Number: Des. 342,184

[45] Date of Patent: ** Dec. 14, 1993

[54] GRILL

[76] Inventor: **Joseph W. Sanchez**, Star Rte. 3, Box 41N, Pagosa Springs, Colo. 81147

[**] Term: **14 Years**

[21] Appl. No.: **797,260**

[22] Filed: **Nov. 25, 1991**

[52] U.S. Cl. **D7/335**

[58] Field of Search **D7/332, 335, 336, 409; 126/25 R, 25 A, 25 AA, 29-30, 9 R, 9 B; D6/417; 248/156**

D. 327,602 7/1992 Walker D7/335
 2,977,953 4/1961 Dowdy 126/30
 4,351,312 9/1982 Ivy 126/25 A
 4,538,589 9/1985 Preston 126/30

Primary Examiner—Ruth McInroy
Attorney, Agent, or Firm—S. Michael Bender

[57] **CLAIM**

The ornamental design for a grill, as shown and described.

DESCRIPTION

FIG. 1 is a front elevational view of a grill showing my new design;
 FIG. 2 is a rear elevational view thereof;
 FIG. 3 is a left side elevational view thereof;
 FIG. 4 is a right side elevational view thereof;
 FIG. 5 is a top plan view thereof; and,
 FIG. 6 is a bottom plan view thereof.

[56] **References Cited**
U.S. PATENT DOCUMENTS
 D. 186,487 10/1959 Brooks D7/336
 D. 191,186 8/1961 Maki D7/336

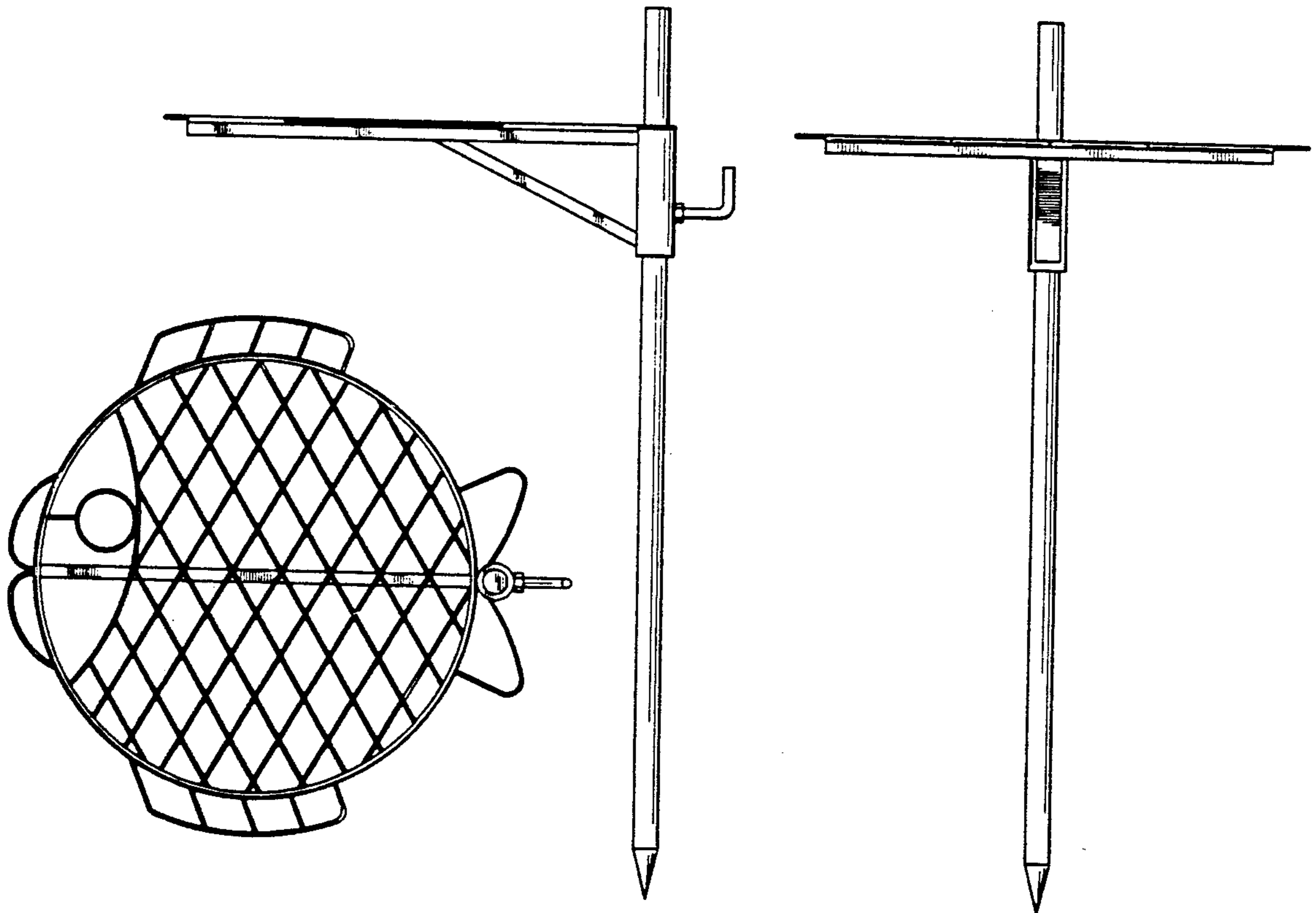


FIG. 1

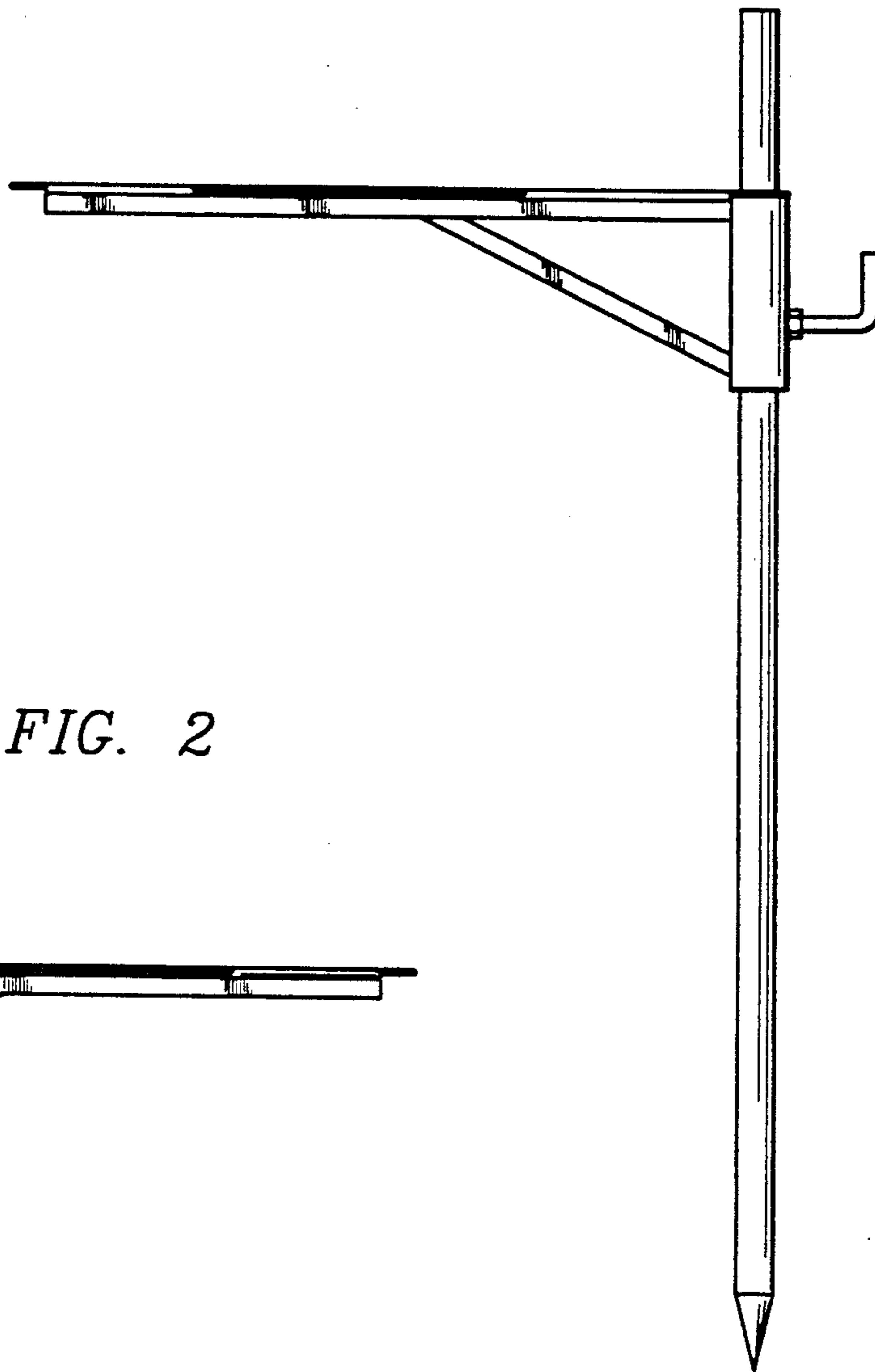


FIG. 2

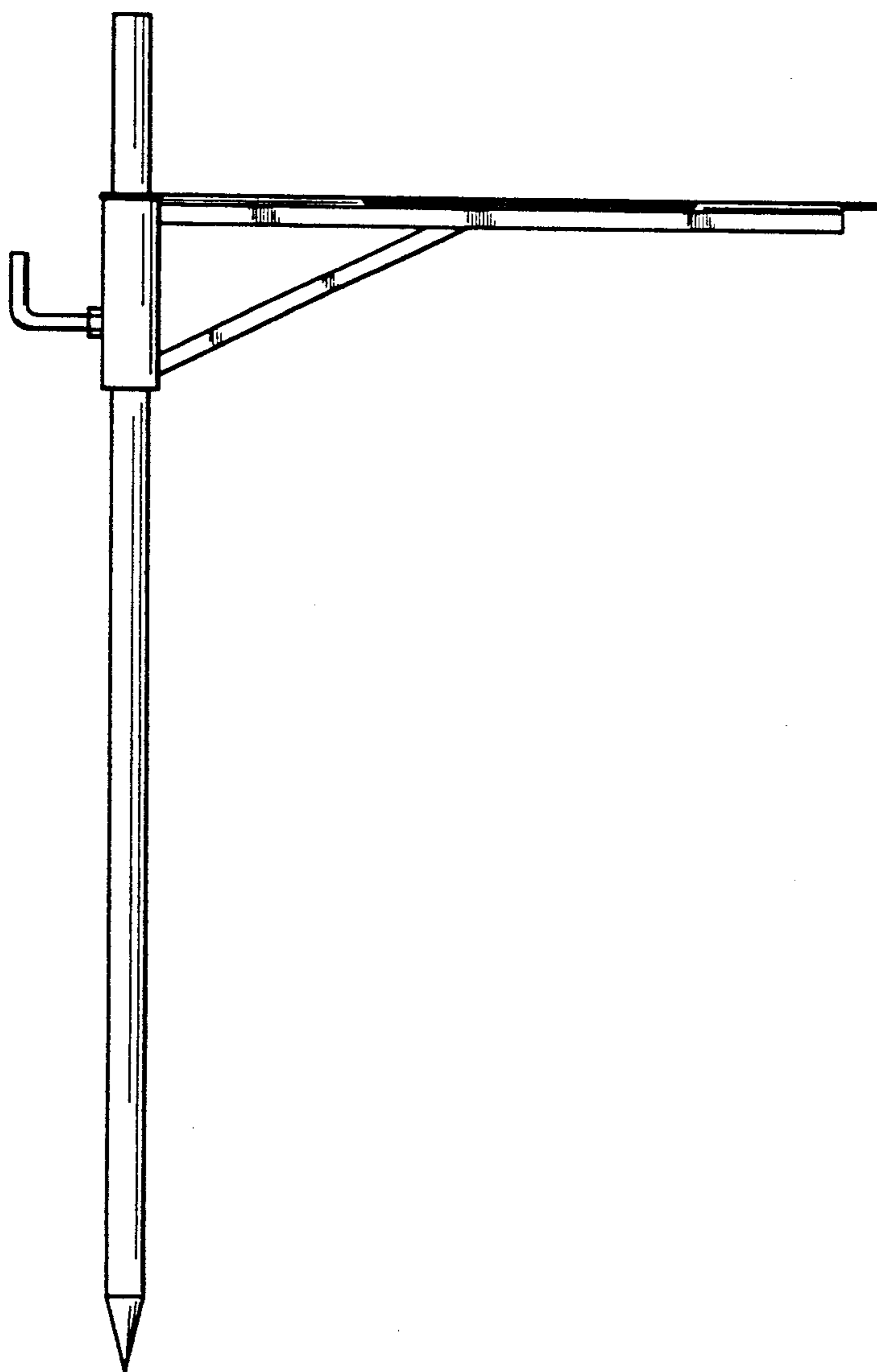


FIG. 3

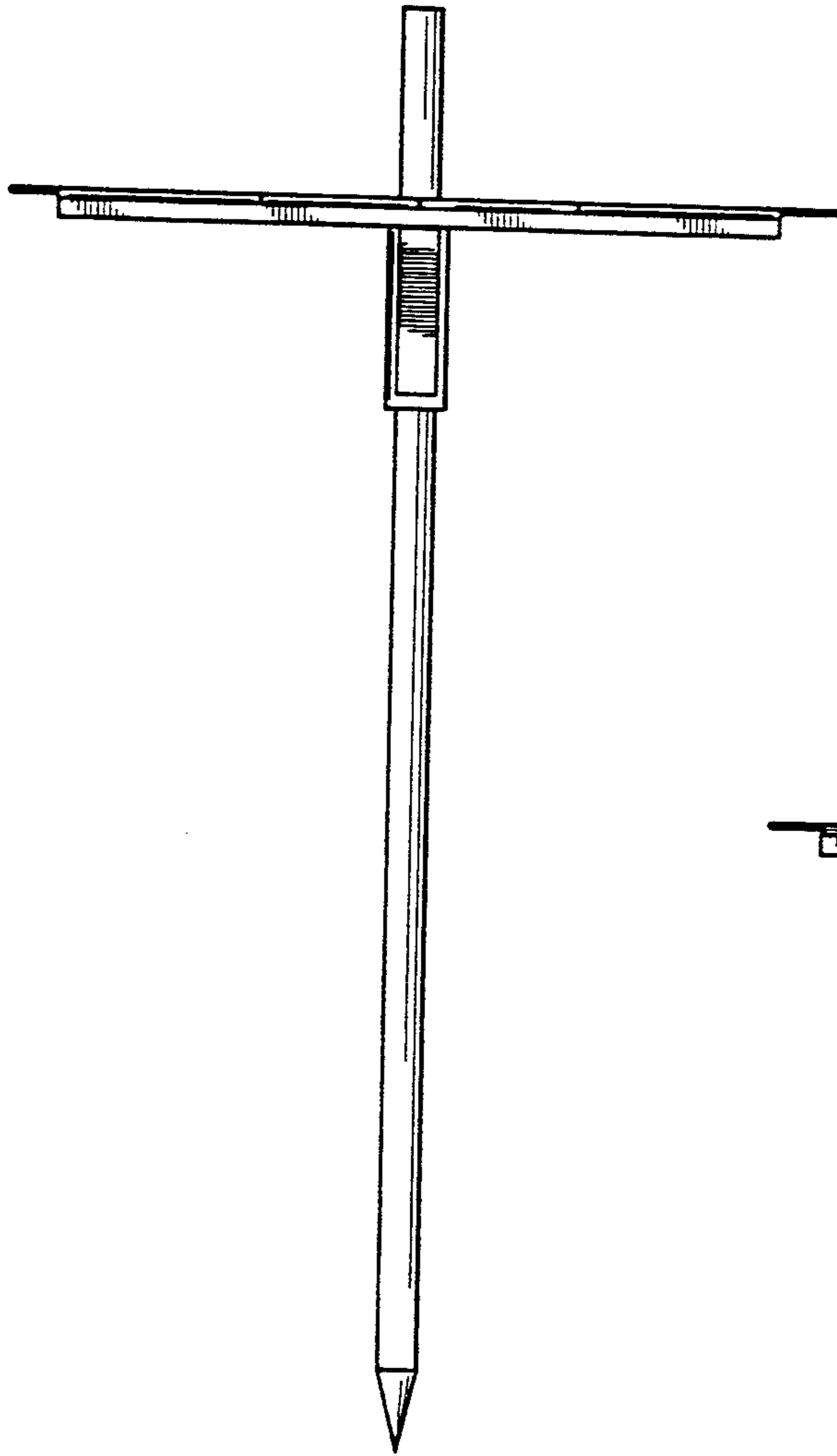


FIG. 4

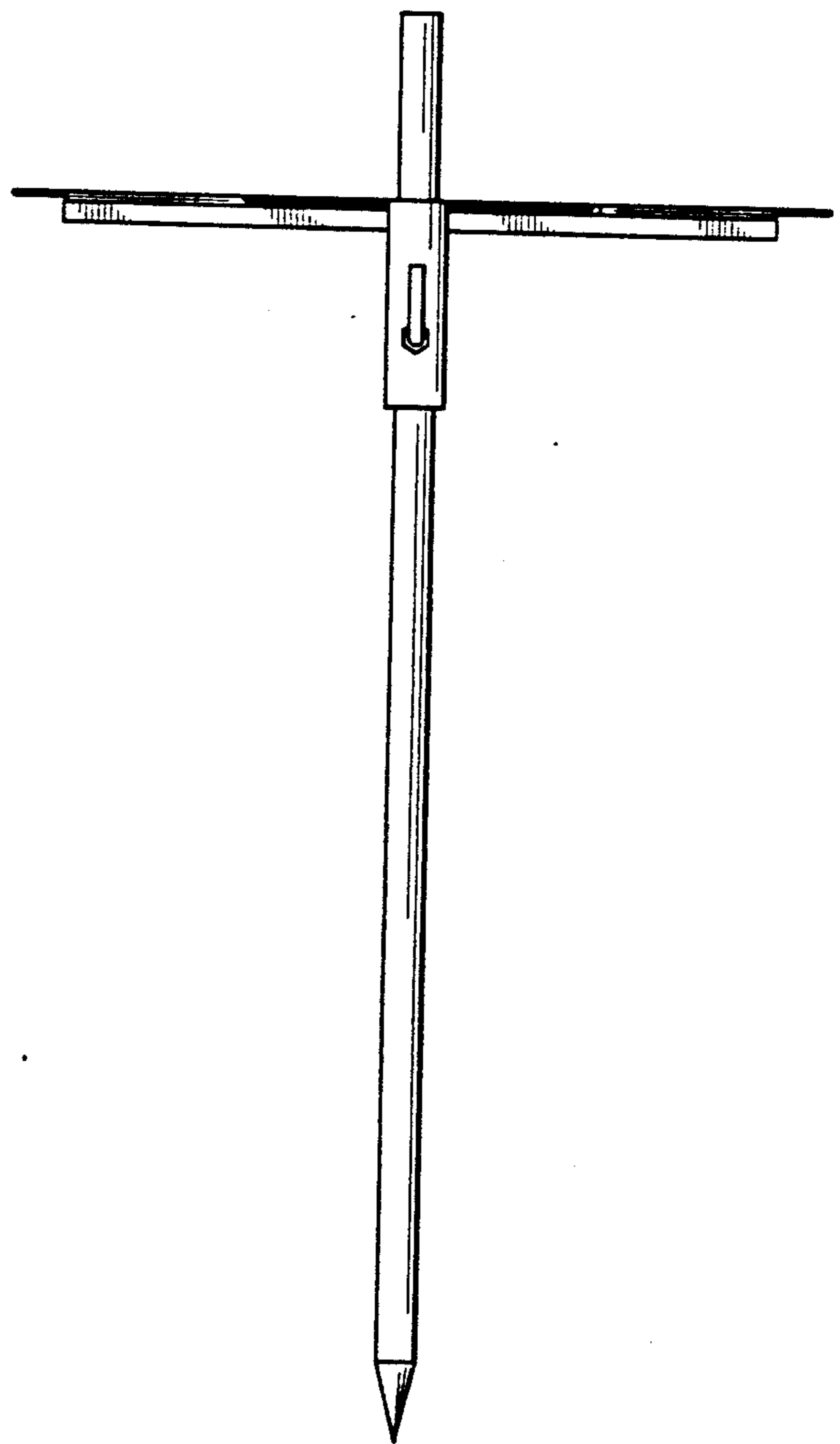


FIG. 5

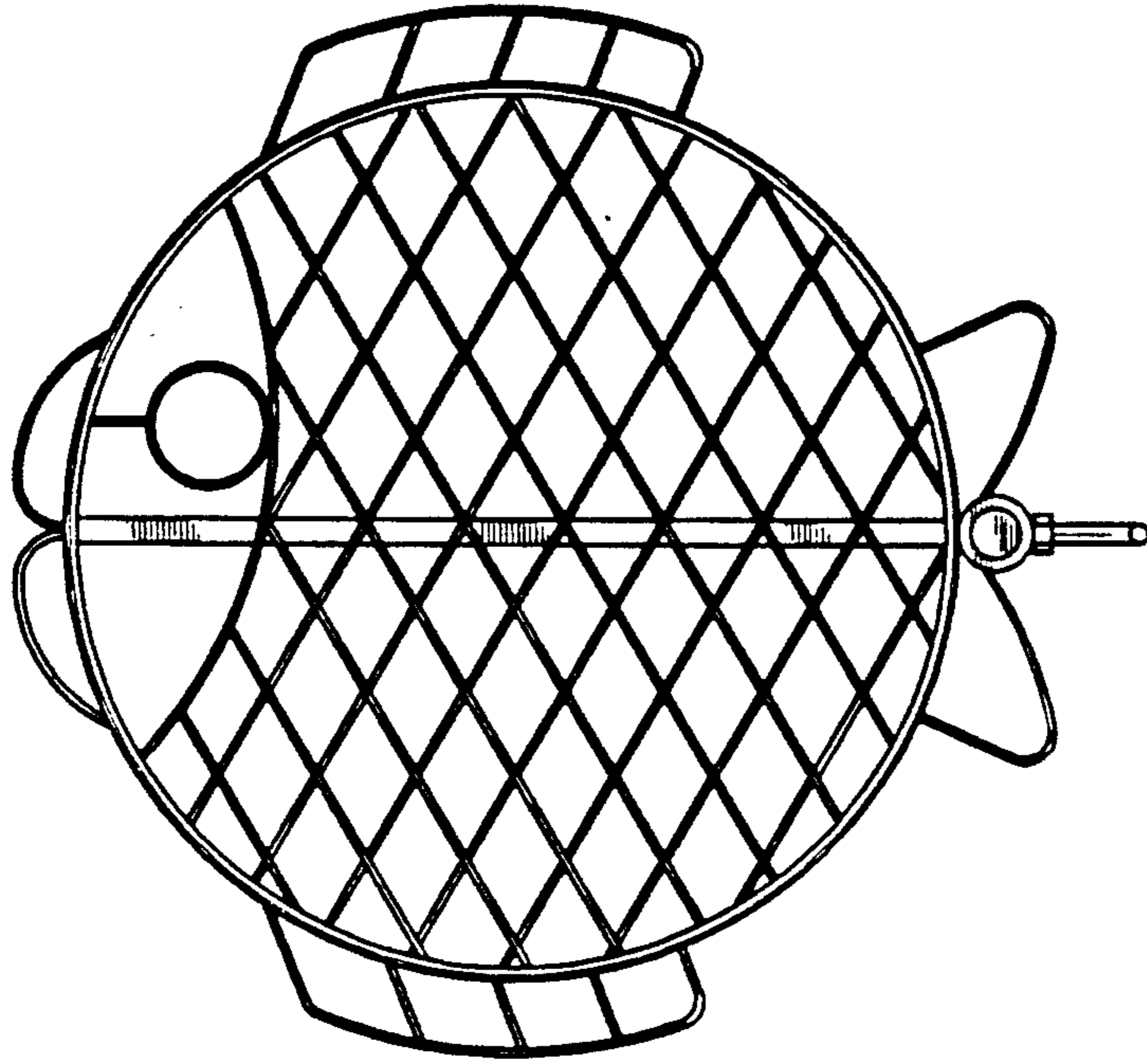


FIG. 6

