



US00D342183S

United States Patent [19]

[11] Patent Number: **Des. 342,183**

Garcia de Salazar Camara

[45] Date of Patent: **** Dec. 14, 1993**

[54] **COFFEE MAKER**

[56] **References Cited**

[75] Inventor: **Alberto Garcia de Salazar Camara, Eibar, Spain**

U.S. PATENT DOCUMENTS

D. 182,853	5/1958	Salati	D7/309
D. 299,304	1/1989	Knöchner et al.	D7/309
D. 299,998	2/1989	Seiffert	D7/309
D. 299,999	2/1989	Pandolfi	D7/309
D. 300,104	3/1989	Cortese	D7/309

[73] Assignee: **Oficina de Investigacion Agrupada, S.A., Eibar, Spain**

Primary Examiner—Alan P. Douglas
Assistant Examiner—M. N. Pandozzi
Attorney, Agent, or Firm—Helfgott & Karas

[**] Term: **14 Years**

[57] CLAIM

[21] Appl. No.: **839,889**

The ornamental design for a coffee maker, as shown.

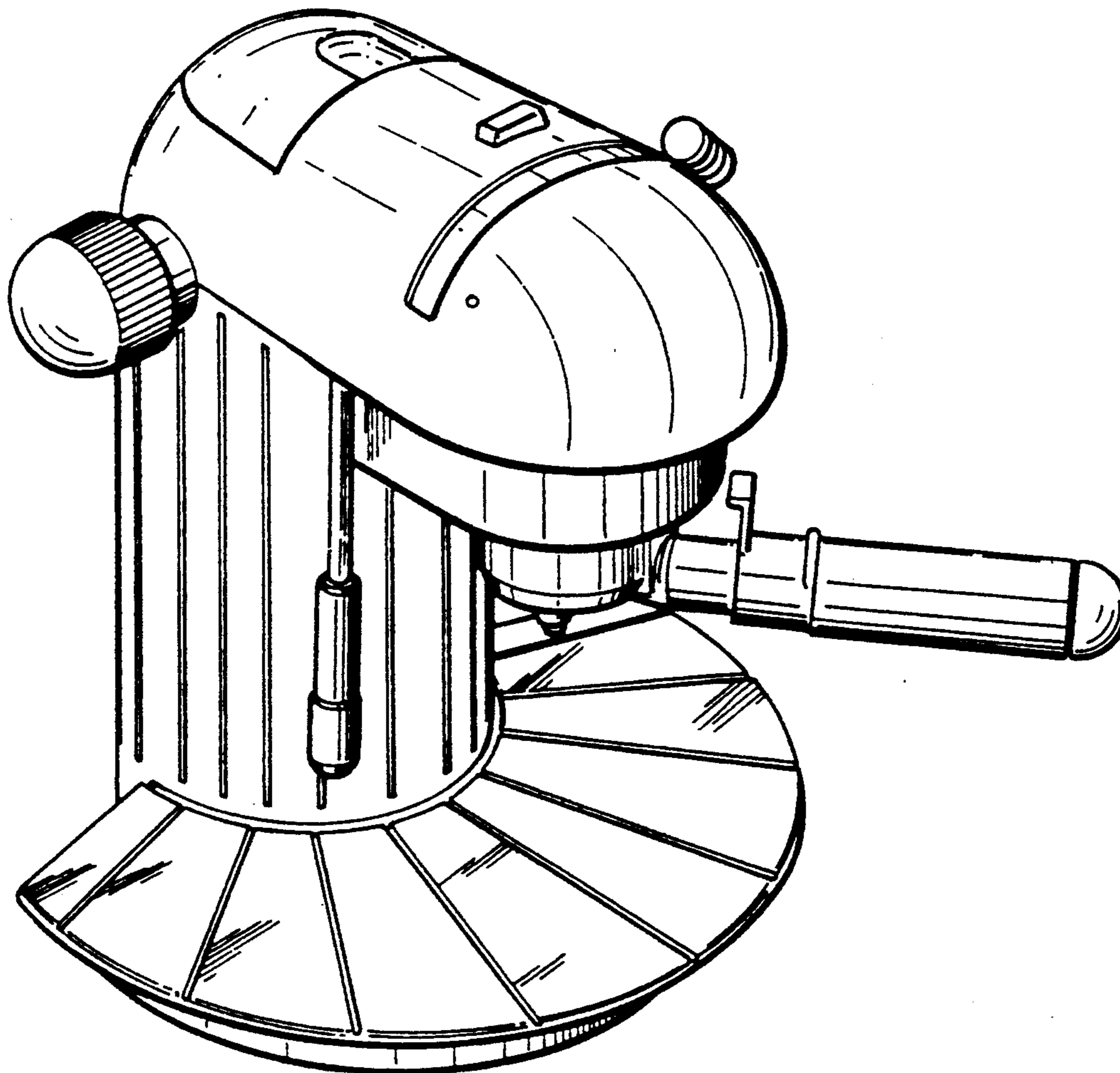
[22] Filed: **Feb. 24, 1992**

DESCRIPTION

[30] Foreign Application Priority Data

Aug. 26, 1991 [ES]	Spain	125.750
[52] U.S. Cl.	D7/309; D7/311	
[58] Field of Search	D7/300, 309, 310, 311, D7/312, 316, 317, 321, 602, 619; 99/293, 279, 295, 300	

FIG. 1 is a perspective view thereof;
FIG. 2 is a bottom view thereof;
FIG. 3 is a front view thereof;
FIG. 4 is a left side view thereof;
FIG. 5 is a top view thereof;
FIG. 6 is a rear view thereof; and,
FIG. 7 is a right side view thereof.



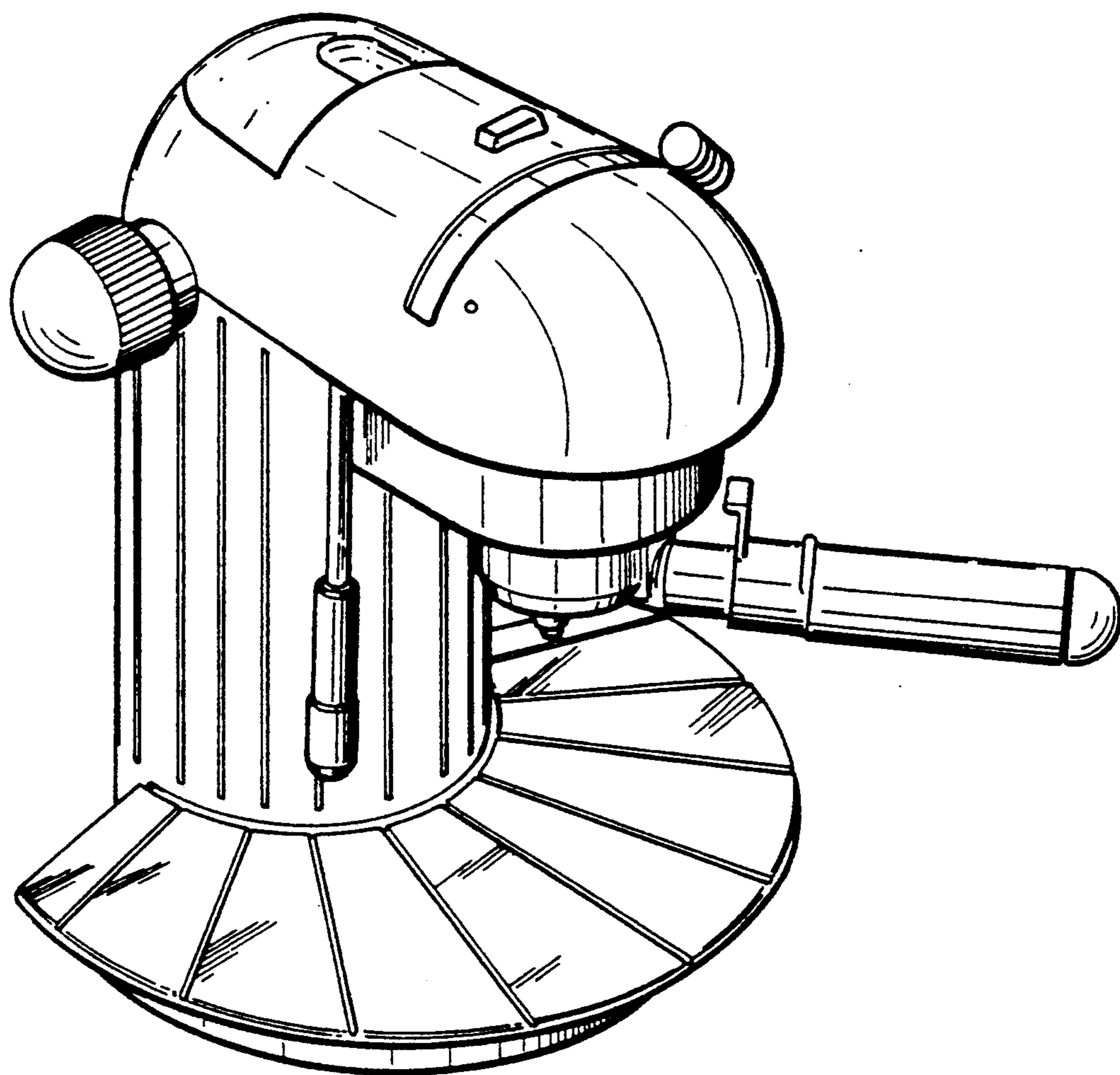


FIG. 1

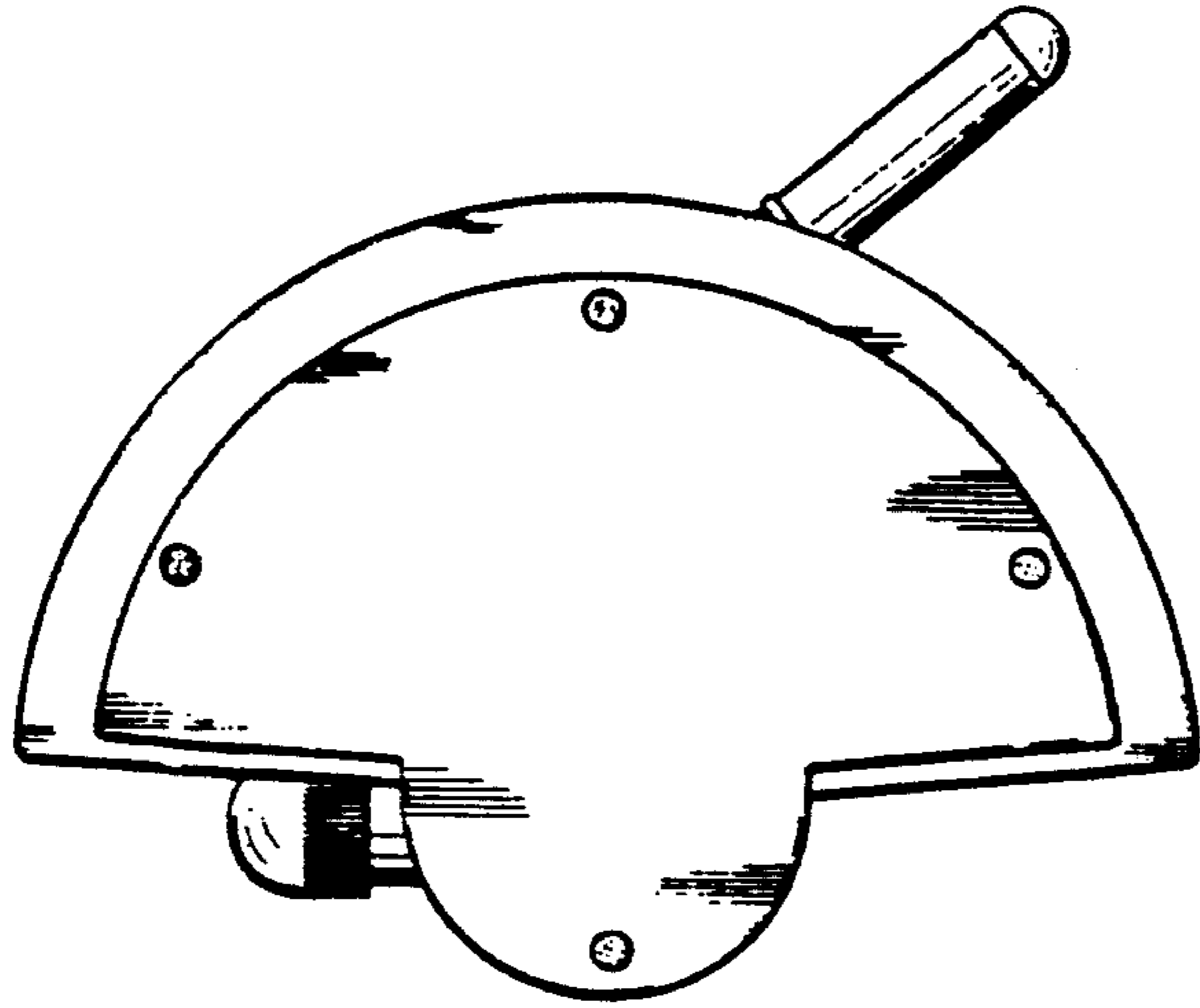


FIG. 2

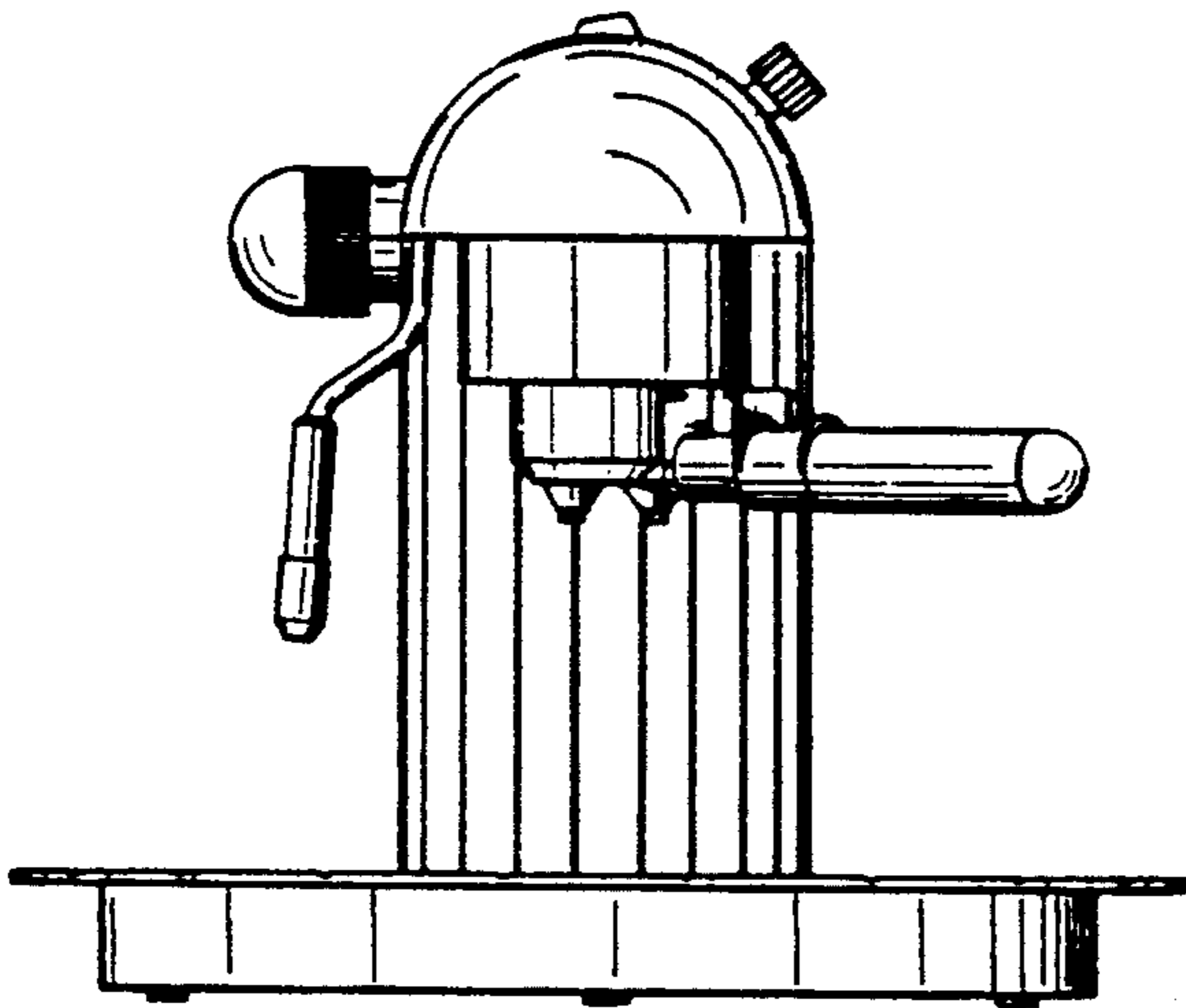


FIG. 3

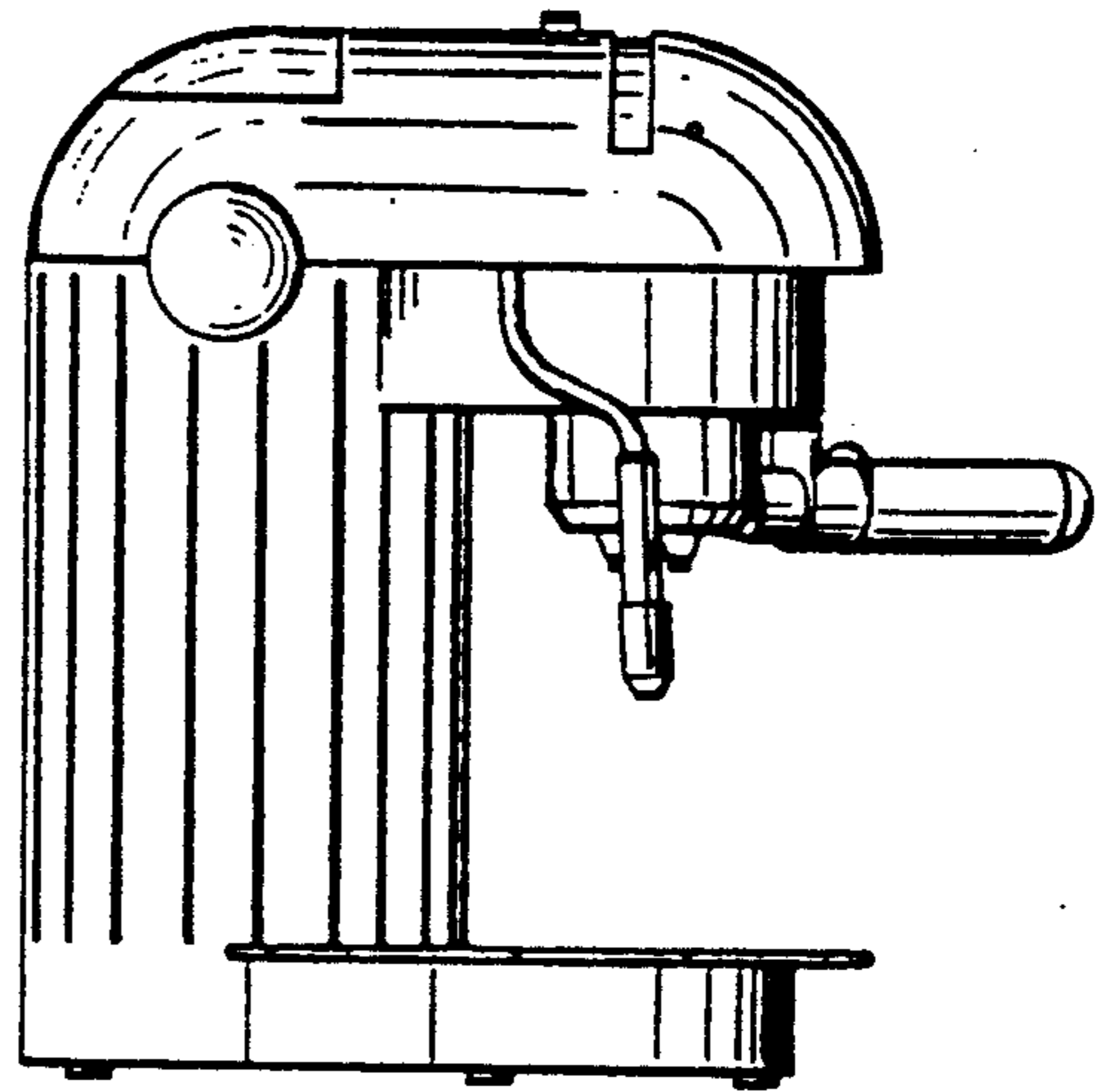


FIG. 4

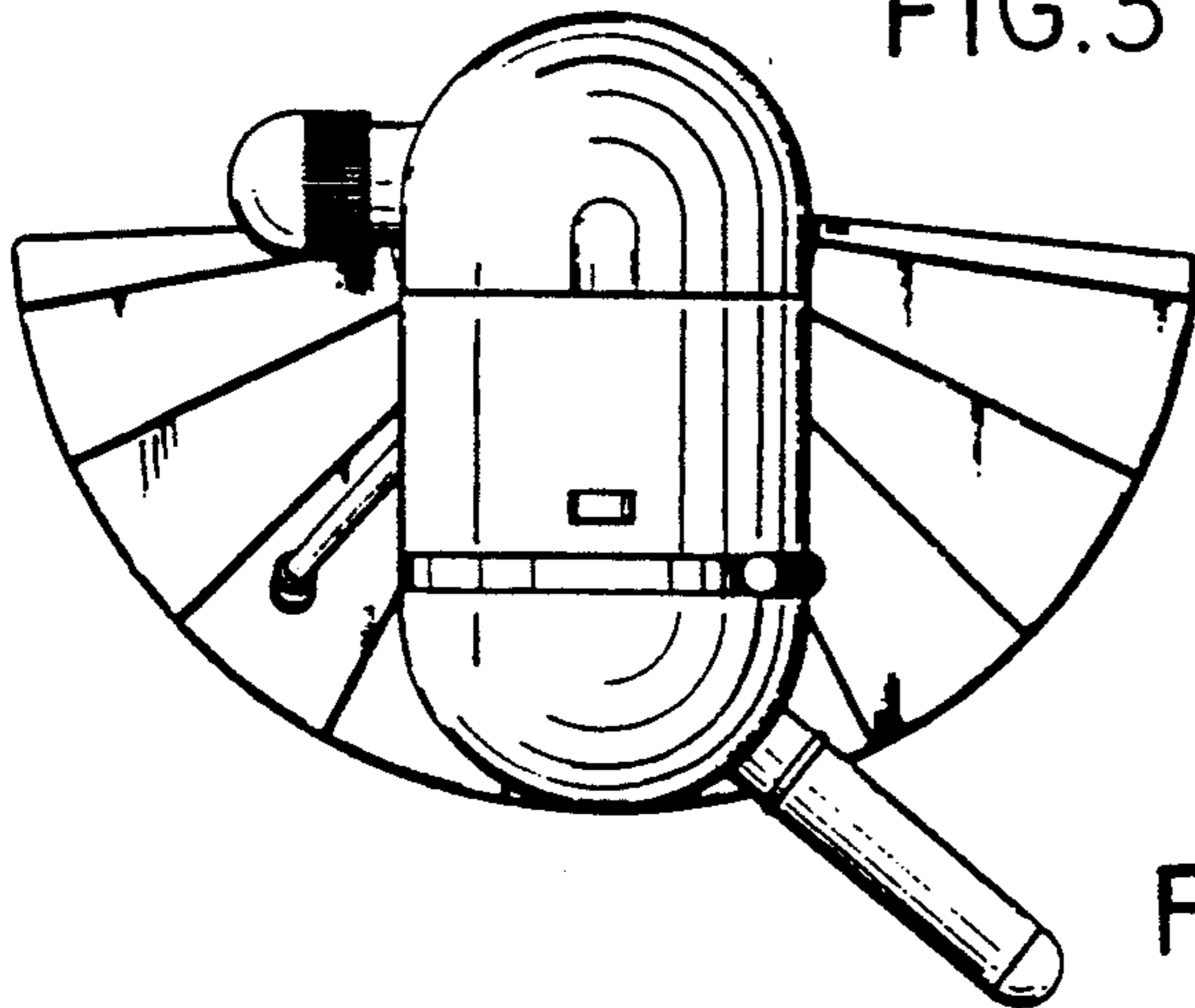


FIG. 5

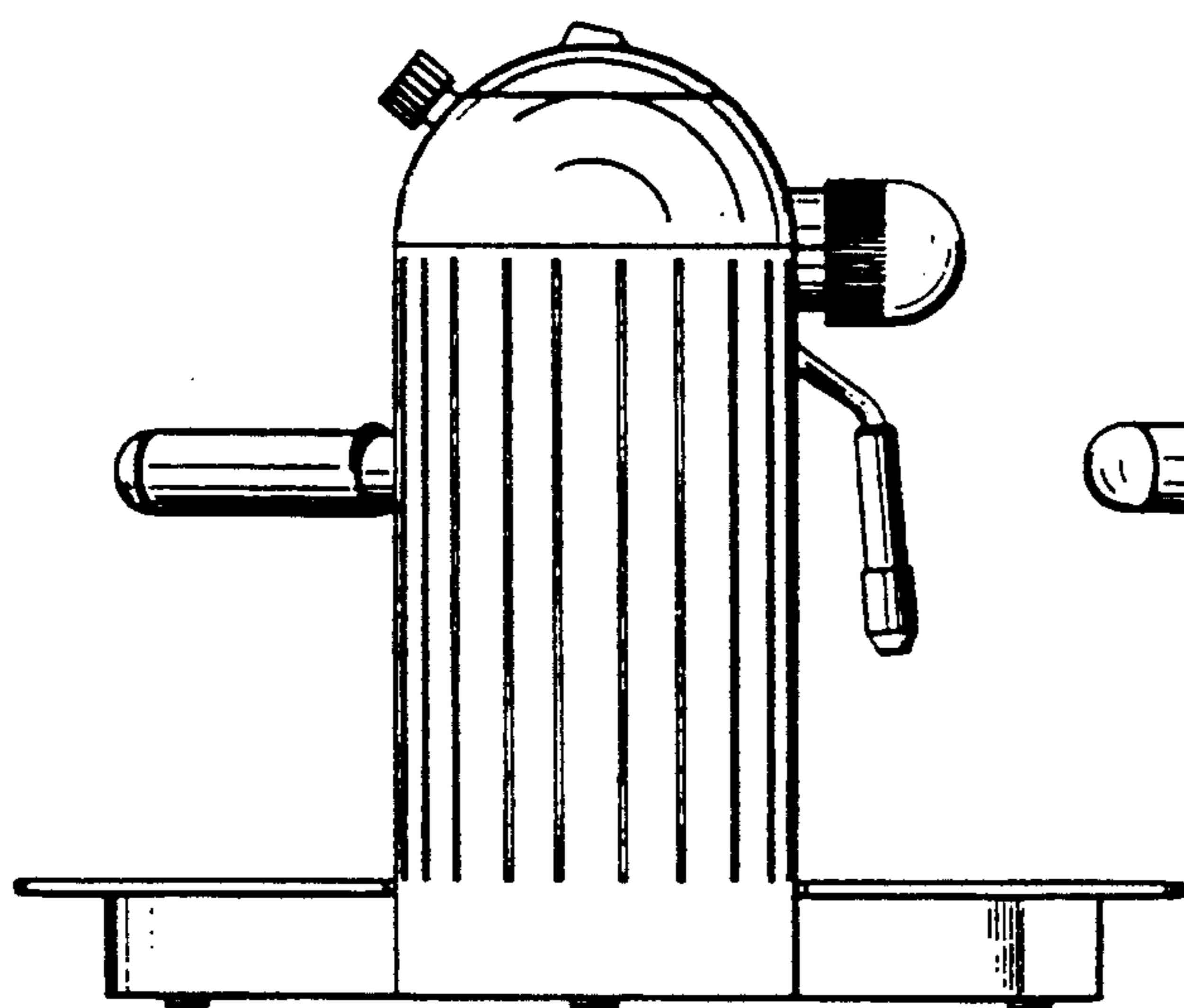


FIG. 6

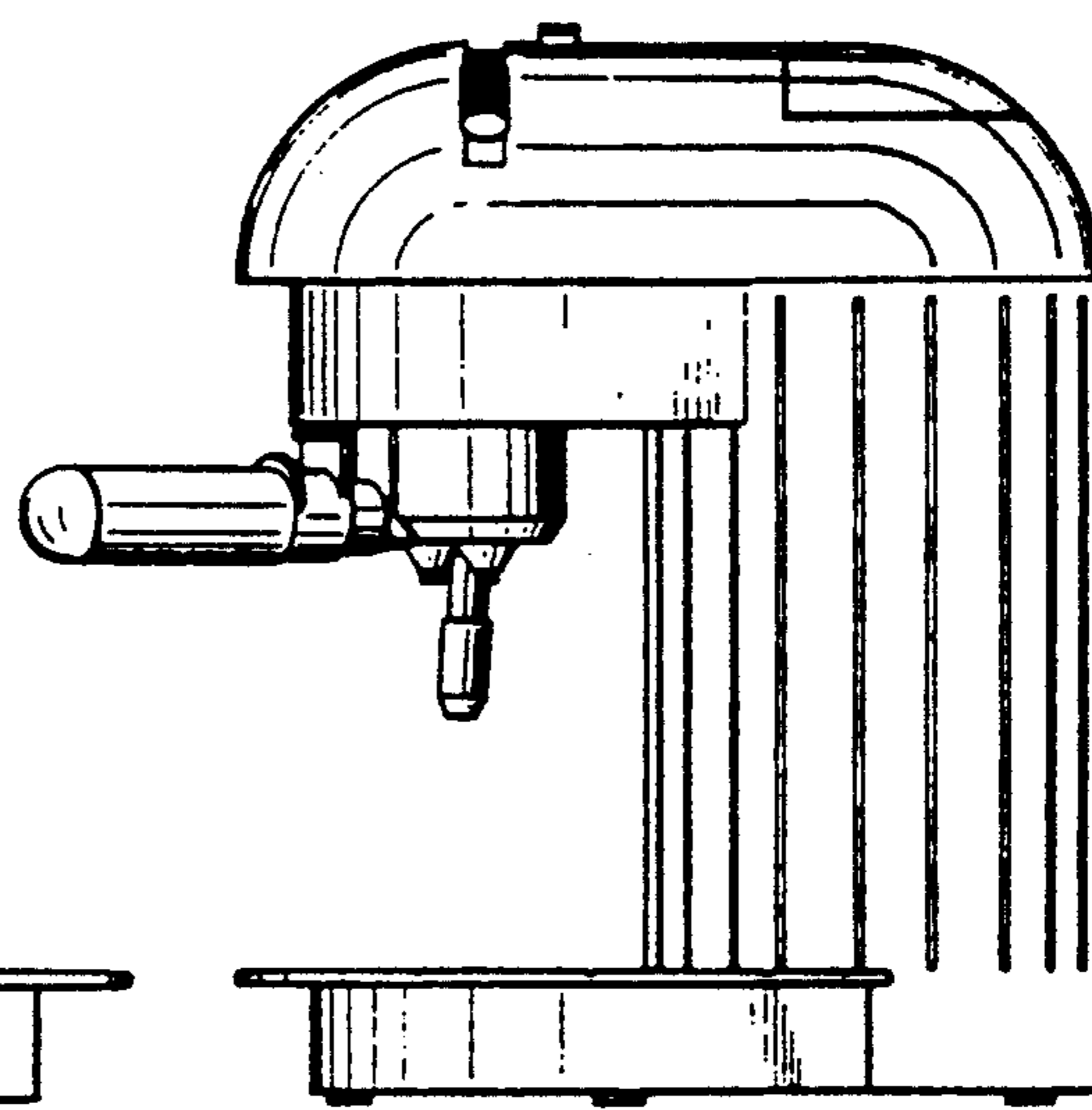


FIG. 7