



US00D342182S

United States Patent [19]

[11] Patent Number: **Des. 342,182**

Garcia de Salazar Camara

[45] Date of Patent: **** Dec. 14, 1993**

[54] **COFFEE MAKER**

[56] **References Cited**

[75] Inventor: **Alberto Garcia de Salazar Camara, Eibar, Spain**

U.S. PATENT DOCUMENTS

D. 292,258	10/1987	Diefenbach	D7/311 X
D. 298,402	11/1988	Seiffert	D7/310 X
D. 299,304	1/1989	Knochner et al.	D7/309
D. 300,104	3/1989	Cortese	D7/309
D. 328,684	8/1992	Diefenbach	D7/311 X
4,632,024	12/1986	Cortese	99/293

[73] Assignee: **Oficina de Investigacion Agrupada, S.A., Eibar, Spain**

Primary Examiner—Alan P. Douglas
Assistant Examiner—M. N. Pandozzi
Attorney, Agent, or Firm—Helfgott & Karas

[**] Term: **14 Years**

[21] Appl. No.: **825,702**

[57] CLAIM

The ornamental design for a coffee maker, as shown.

[22] Filed: **Jan. 27, 1992**

DESCRIPTION

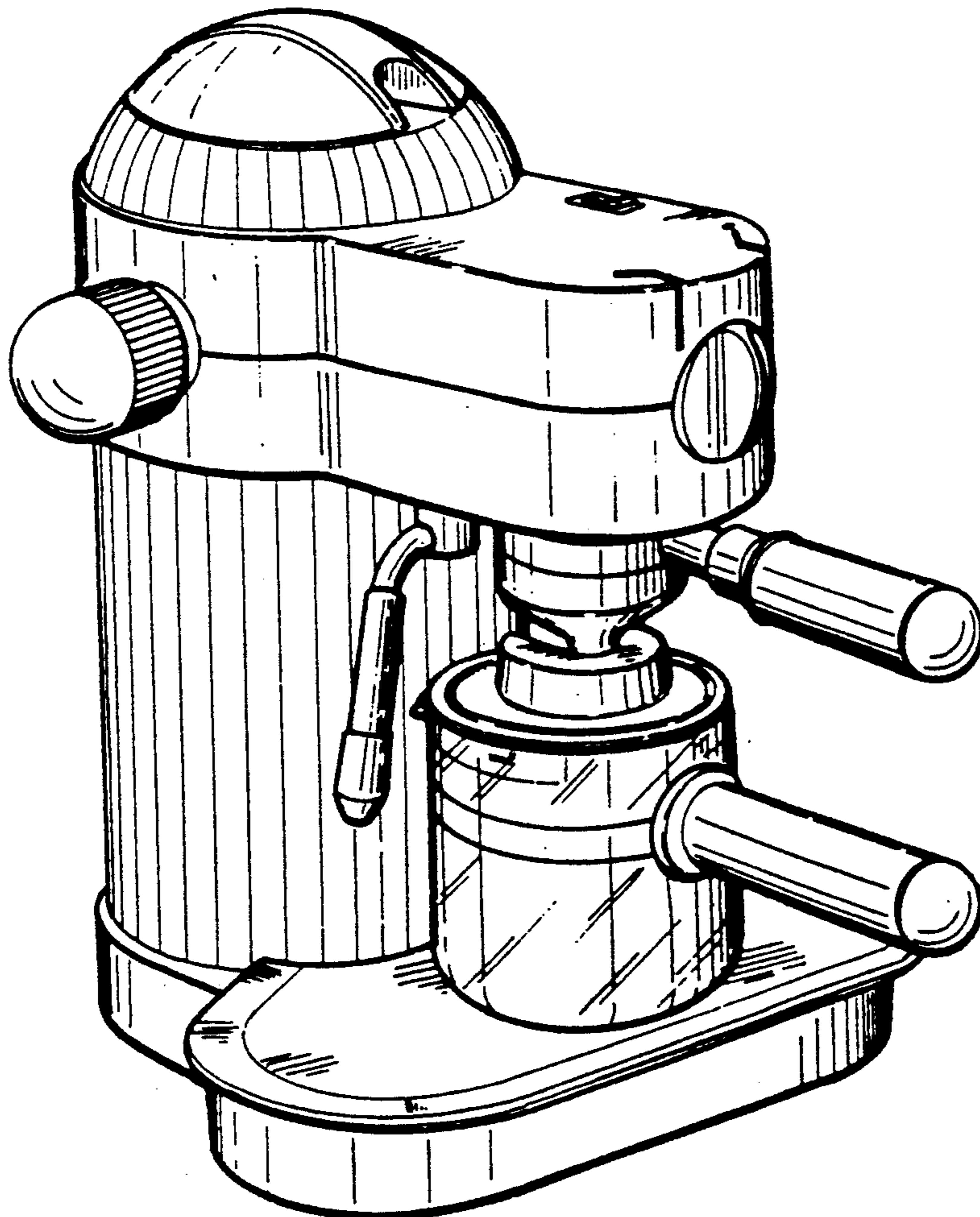
[30] **Foreign Application Priority Data**

Jul. 31, 1991 [ES] Spain 125582

[52] U.S. Cl. **D7/309; D7/310; D7/311**

[58] Field of Search **D7/300, 305, 306, 309, D7/310, 311, 590; 99/293, 279, 295, 300, 275**

FIG. 1 is a perspective view thereof;
FIG. 2 is a right side view thereof;
FIG. 3 is a front view thereof;
FIG. 4 is a left side view thereof;
FIG. 5 is a rear view thereof;
FIG. 6 is a bottom view thereof; and,
FIG. 7 is a top view thereof.



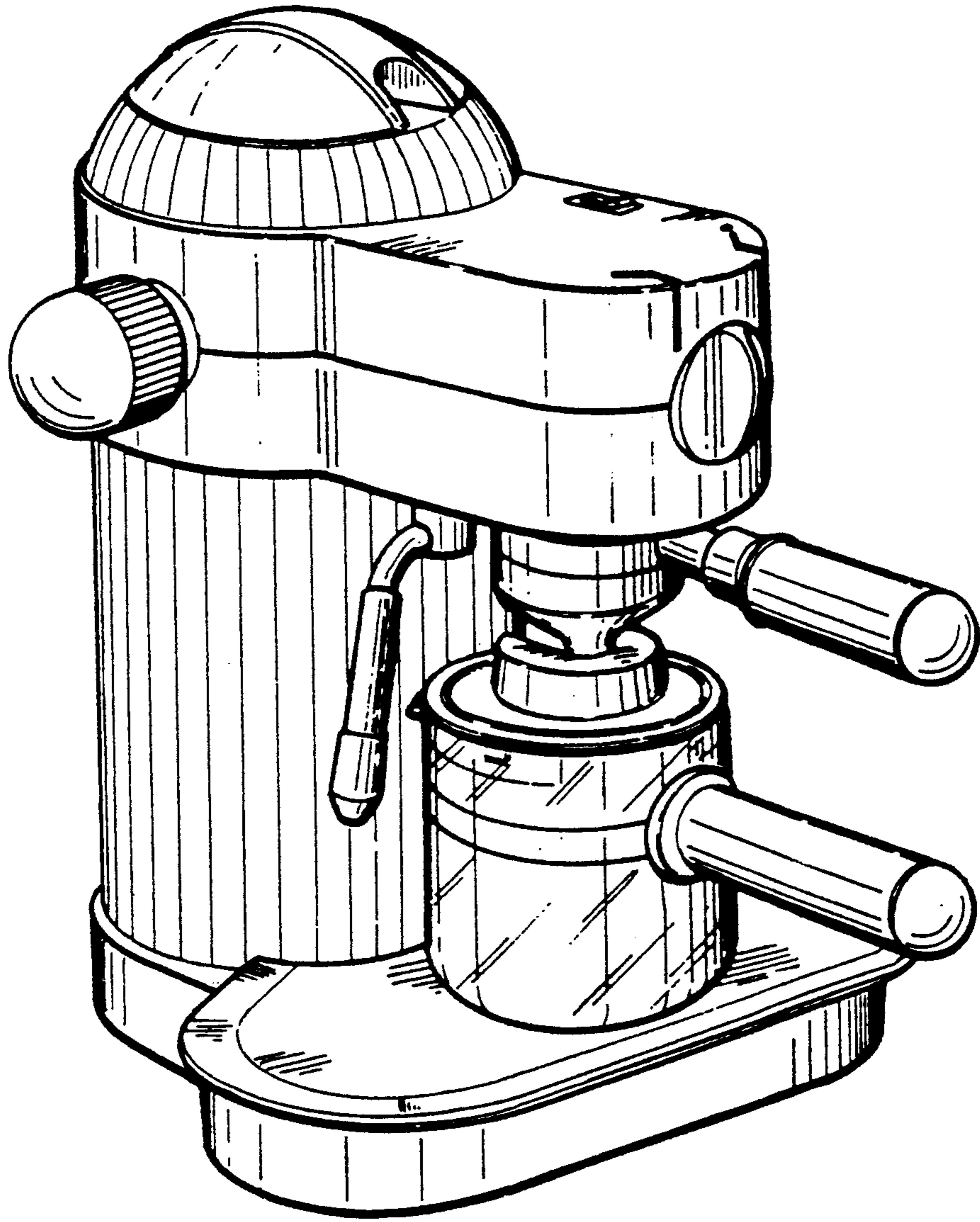


FIG. 1

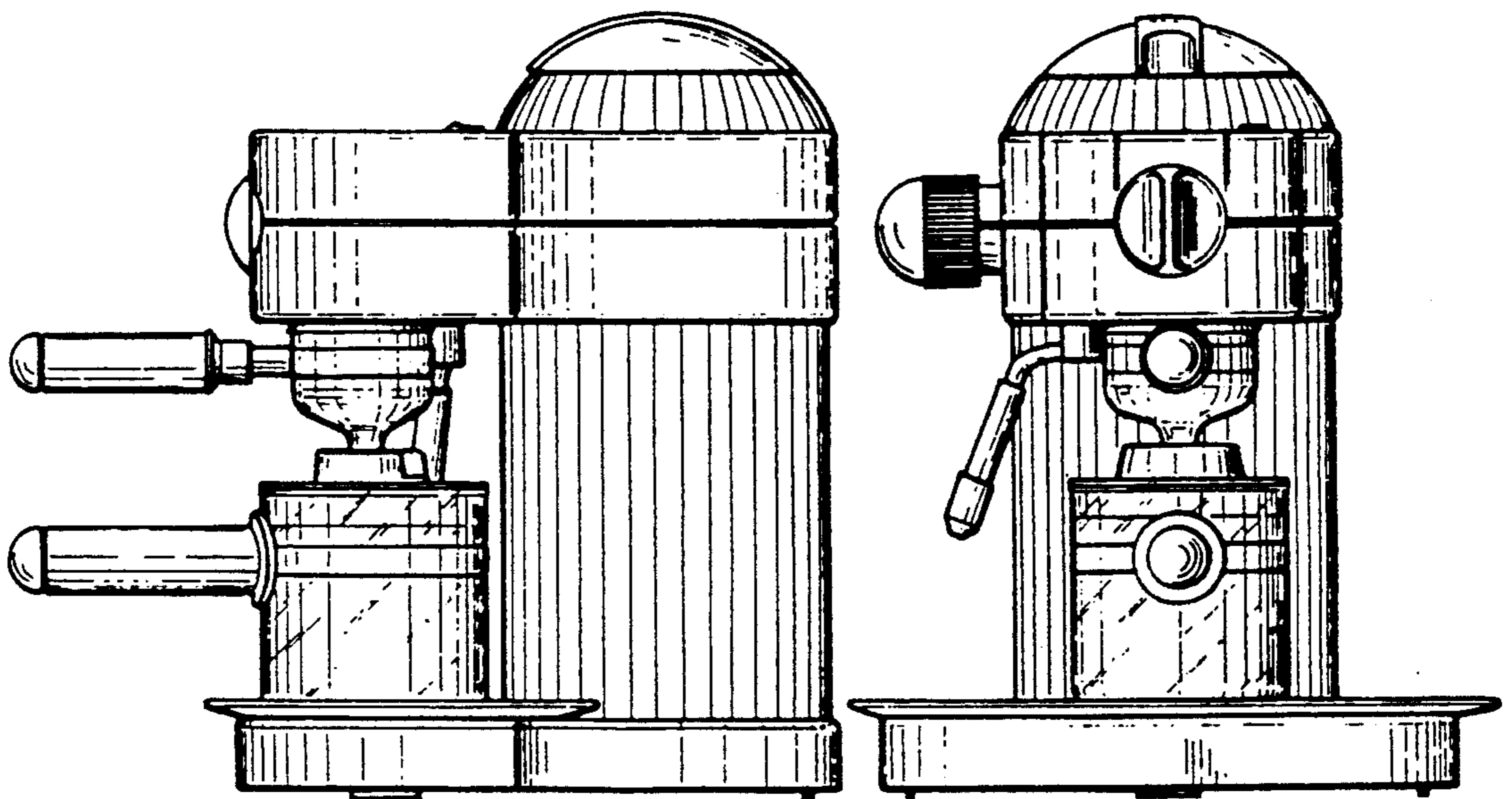


FIG. 2

FIG. 3

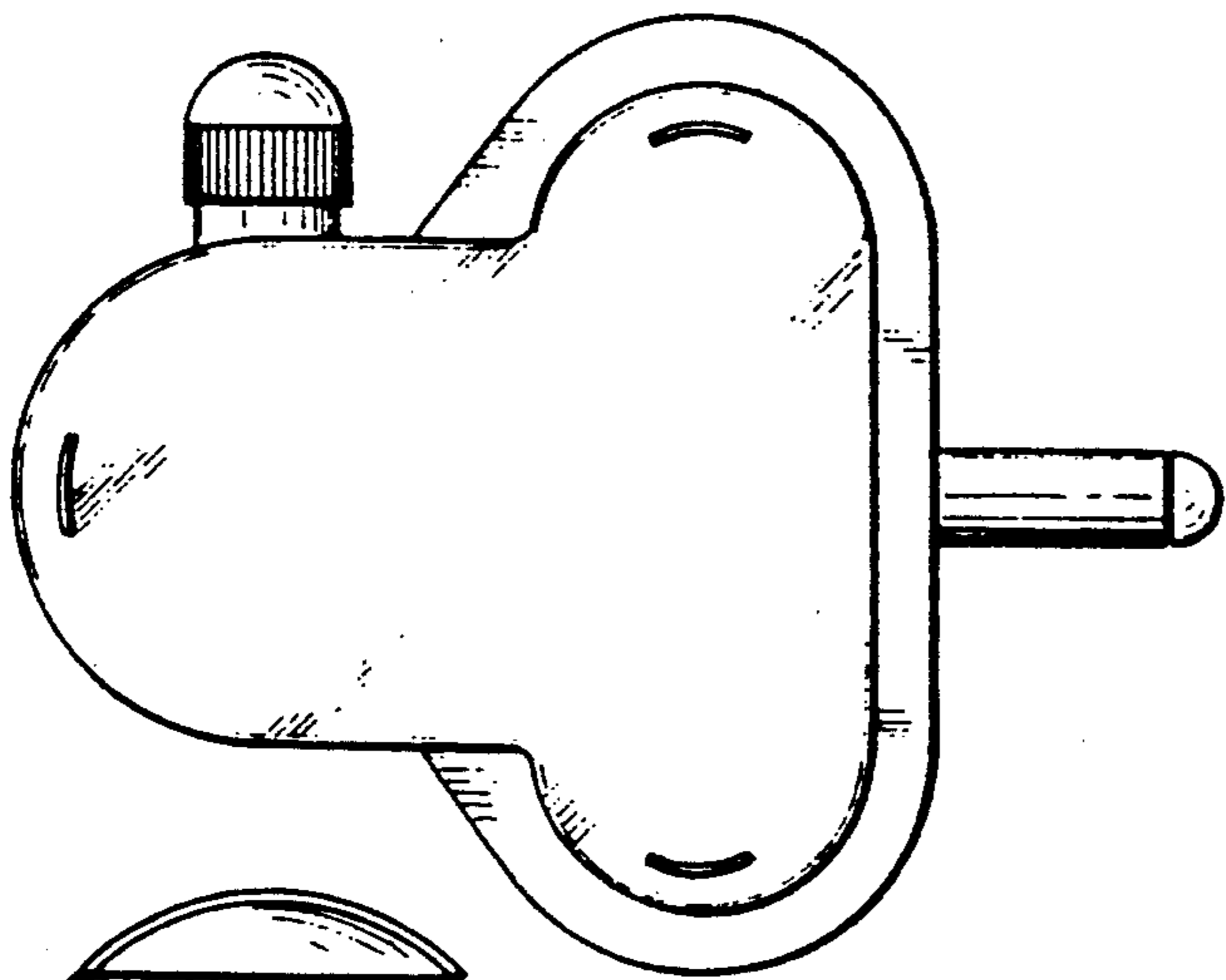


FIG. 6

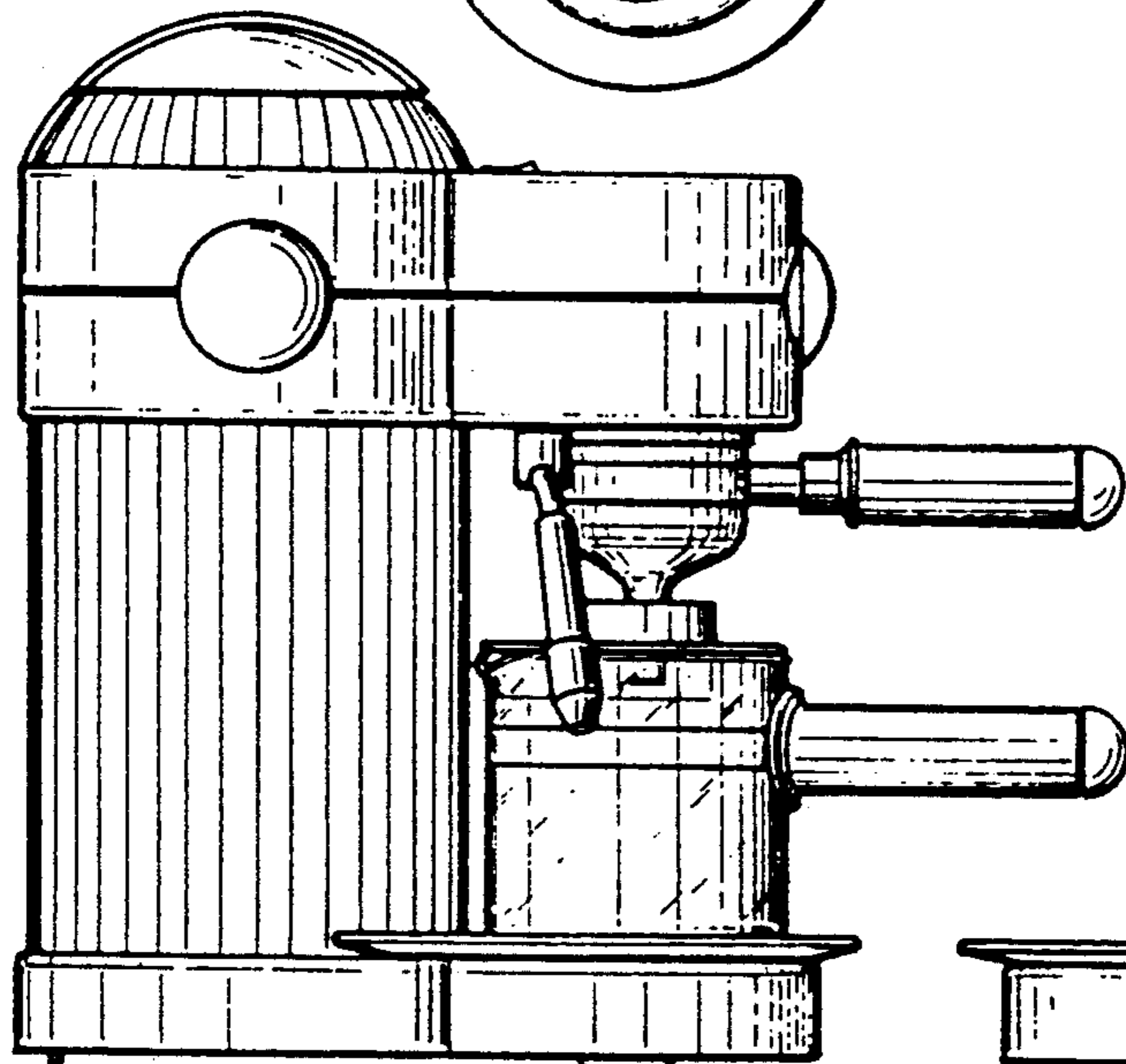


FIG. 4

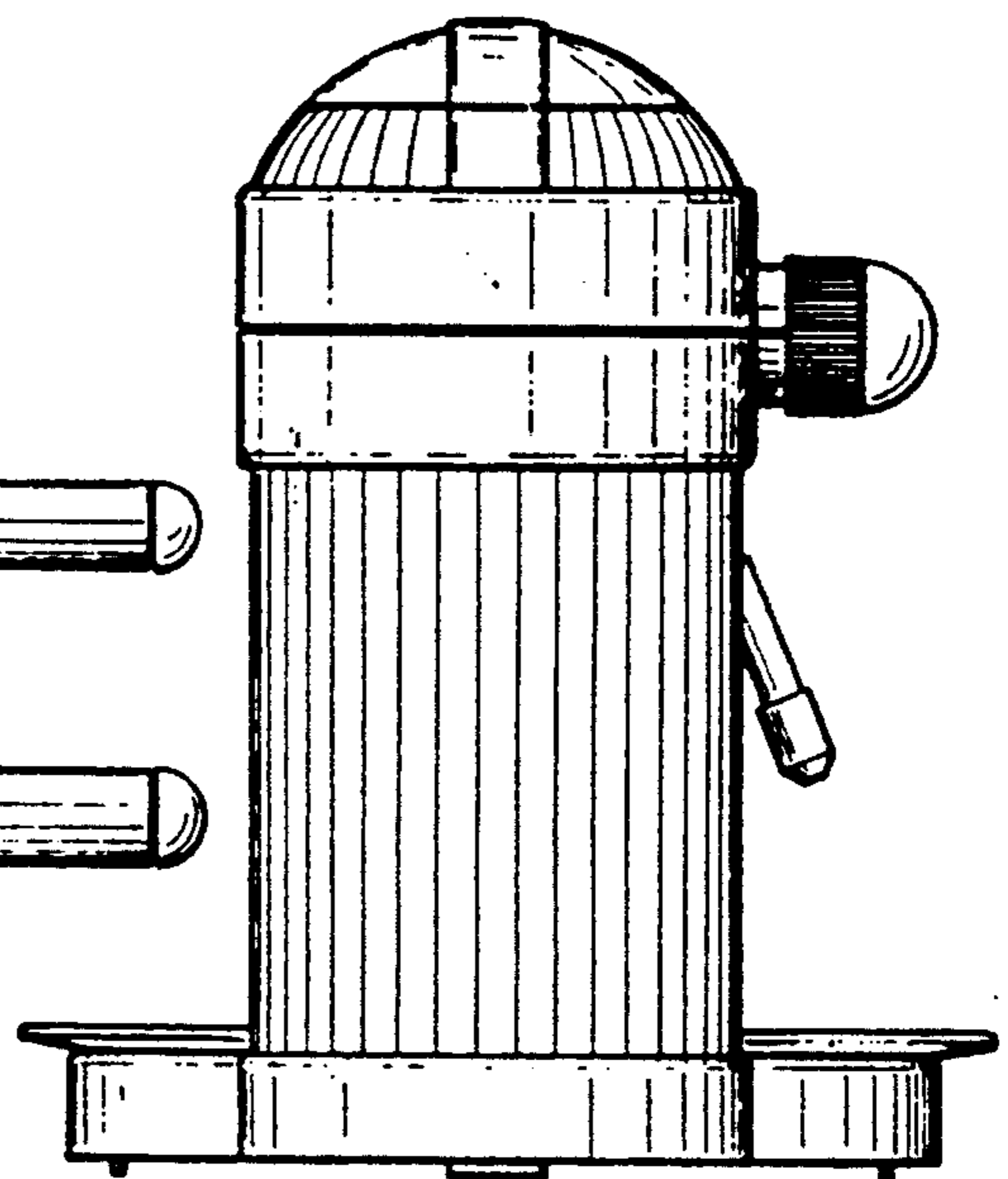


FIG. 5

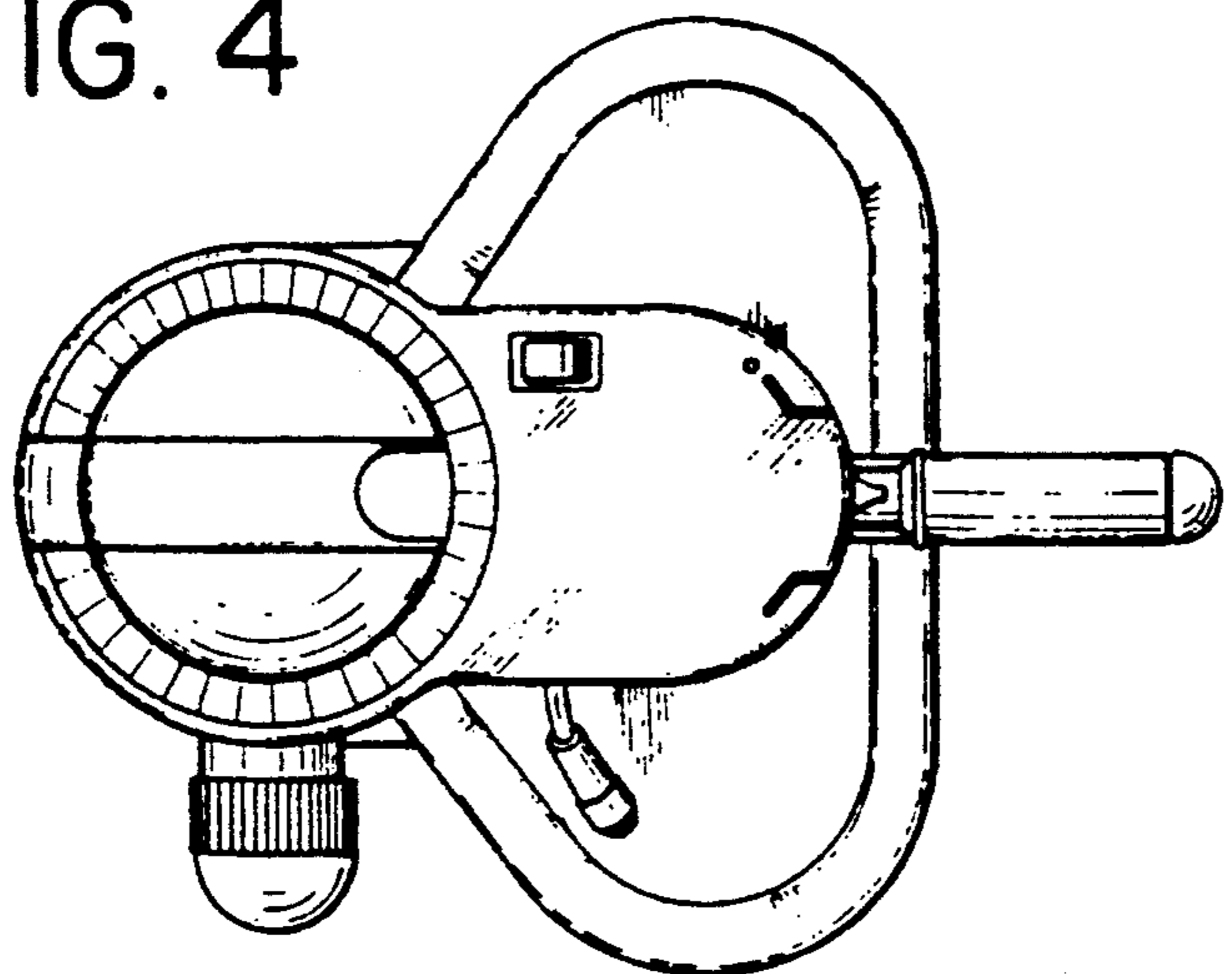


FIG. 7