



US00D342179S

United States Patent [19]

[11] Patent Number: **Des. 342,179**

Owens, Jr.

[45] Date of Patent: **** Dec. 14, 1993**

[54] **DISPENSING CABINET**

[76] Inventor: **Mack I. Owens, Jr., P.O. Box 9599, Hampton, Va. 23670**

[**] Term: **14 Years**

[21] Appl. No.: **807,127**

[22] Filed: **Dec. 10, 1991**

[52] U.S. Cl. **D6/561**

[58] Field of Search **D6/518-520, D6/522-523; 211/13, 71, 72; 221/33, 43, 92, 94, 123, 197, 282-286**

[56] **References Cited**

U.S. PATENT DOCUMENTS

D. 195,140	4/1963	Johannes	D6/520
D. 219,168	11/1970	Chase et al.	D6/520
D. 301,979	7/1989	Birlz et al.	D6/520 X
4,094,416	6/1975	Smith	211/71
4,573,608	3/1986	Hansen	221/92

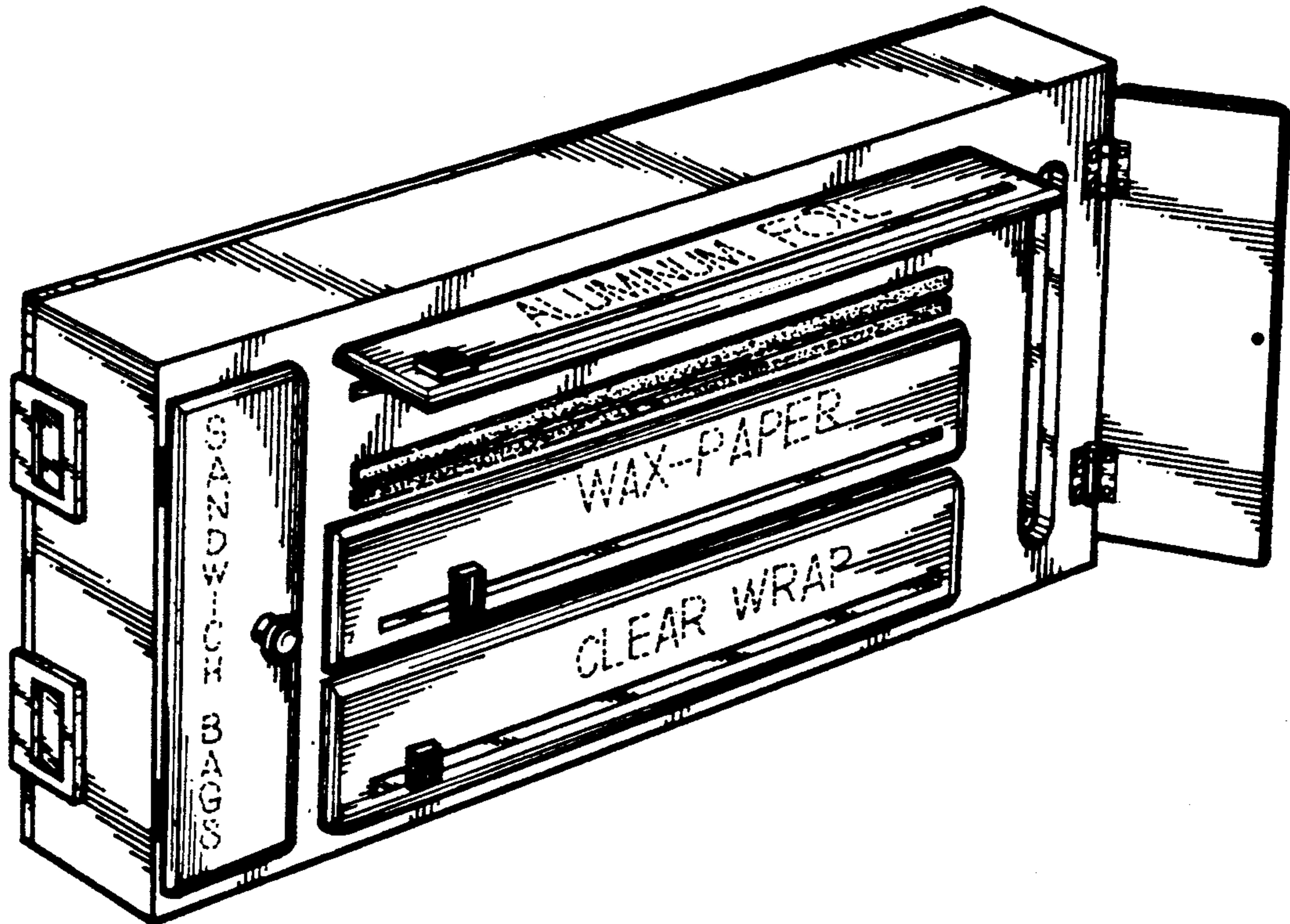
Primary Examiner—Brian N. Vinson
Attorney, Agent, or Firm—Richard C. Litman

[57] **CLAIM**

The ornamental design for a dispensing cabinet, as shown and described.

DESCRIPTION

FIG. 1 is a top, front, and left side perspective view of a dispensing cabinet showing my new design; FIG. 2 is a front elevational view thereof; FIG. 3 is a left side elevational view thereof; FIG. 4 is a rear perspective view thereof, with the rear access panel shown opened; and, FIG. 5 is a top plan view thereof, with the bottom being a mirror image of that shown, and all of the operable panels shown closed. The broken-line disclosure of indicia and wrapping cartons in the views is for illustrative purposes only and forms no part of the claimed design.



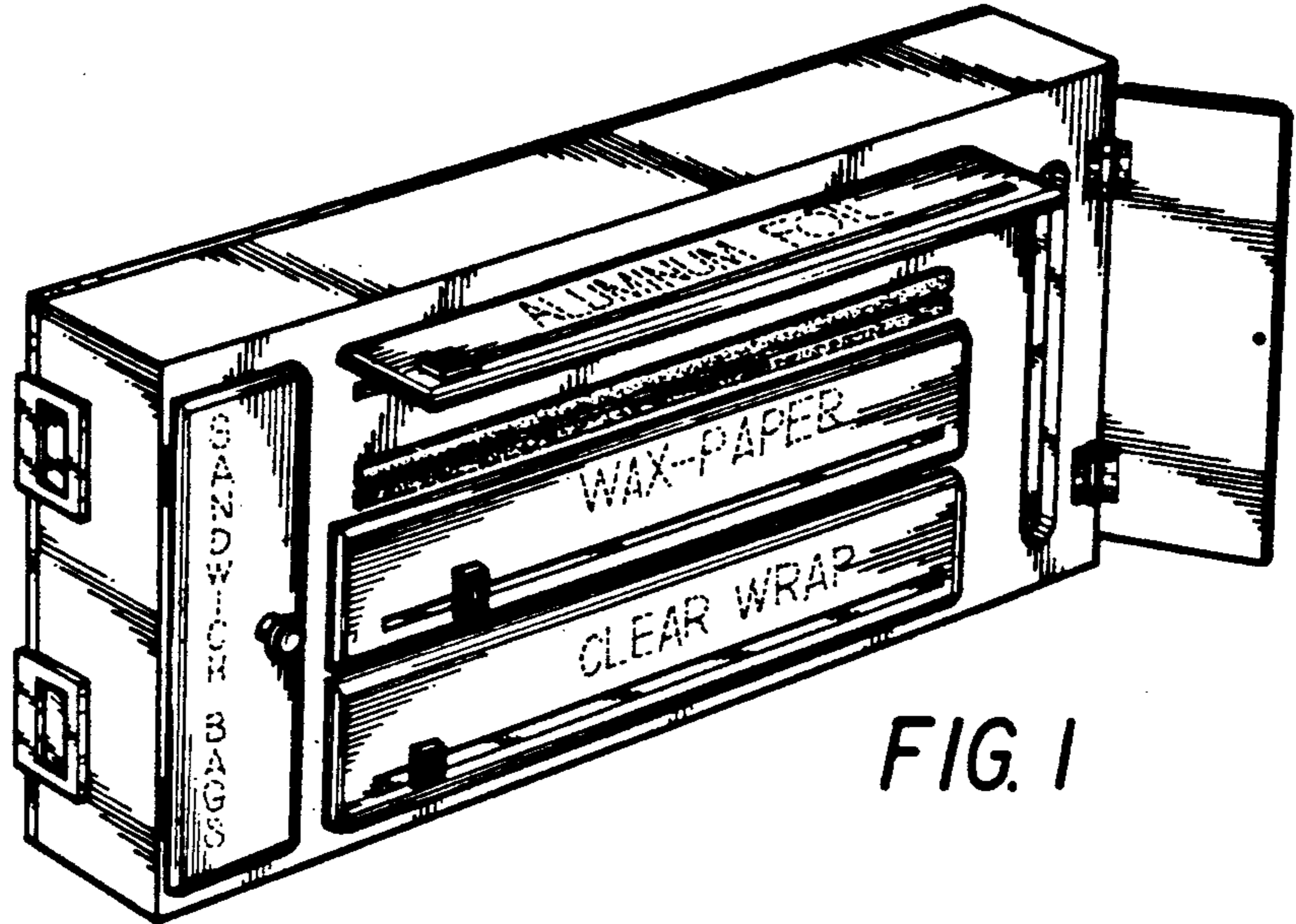


FIG. 1

FIG. 3

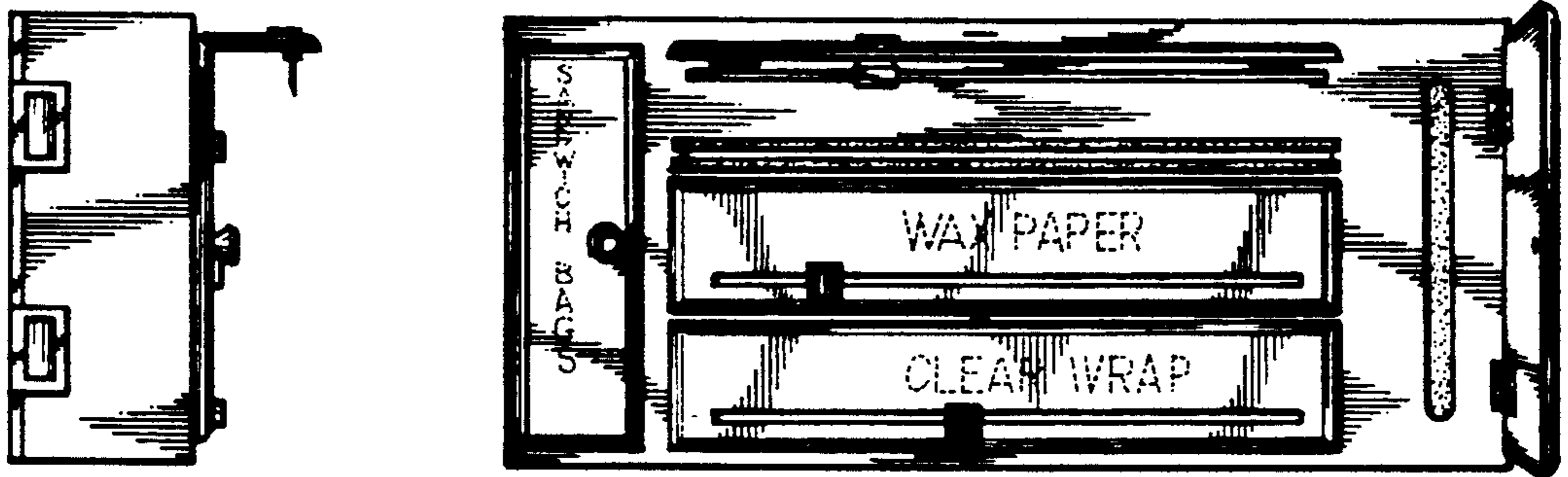


FIG. 2

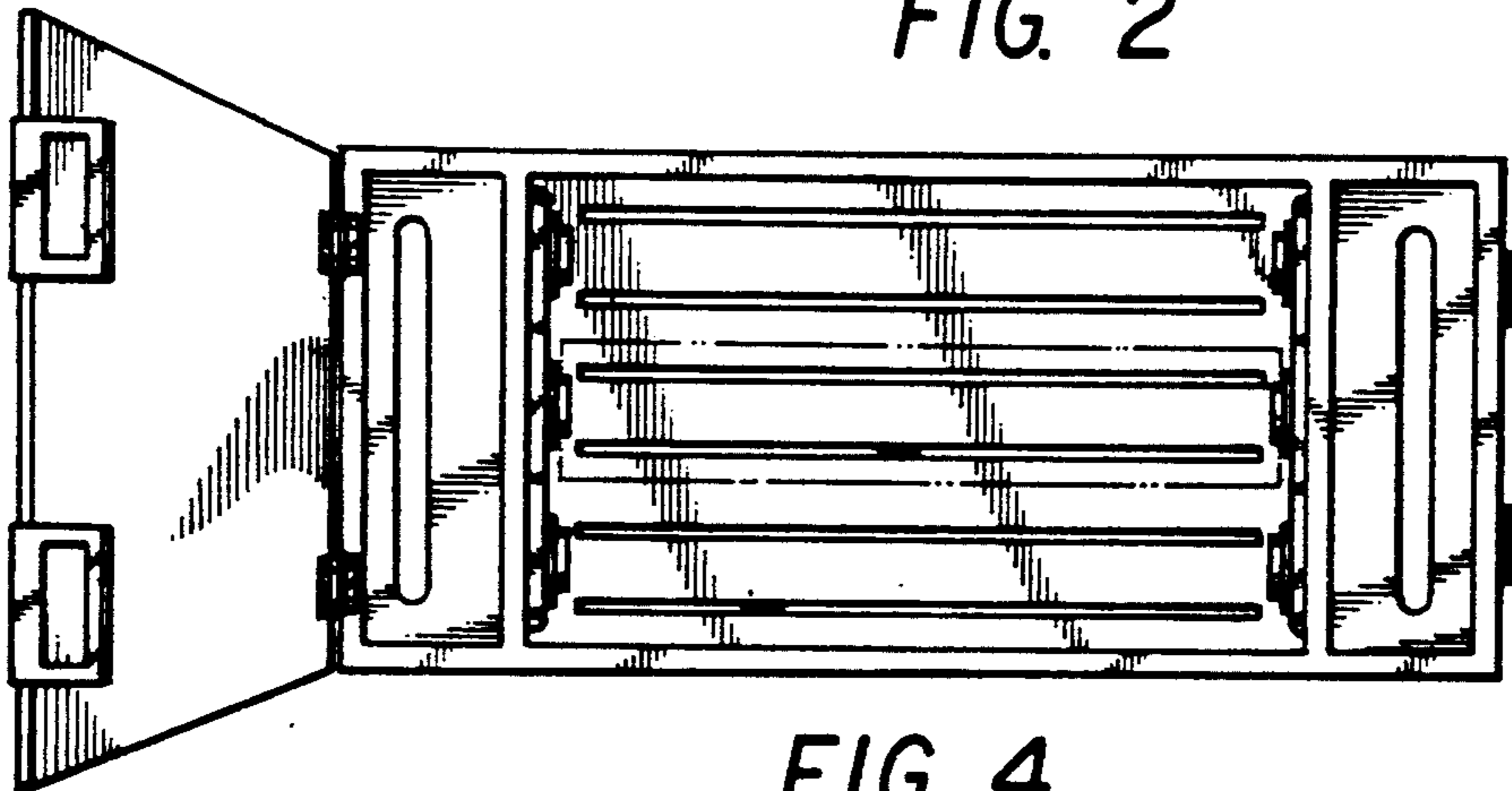


FIG. 4



FIG. 5