



US00D342174S

United States Patent [19]
Lo

[11] **Patent Number: Des. 342,174**

[45] **Date of Patent: ** Dec. 14, 1993**

[54] **PAPER ROLL PRODUCT DISPENSER ASSEMBLY**

D. 208,102 7/1967 Brandon D6/518
D. 321,104 10/1991 Schülein D6/520
3,737,087 6/1973 Rooklyn 242/55.3 X

[76] **Inventor: Chi-Shen Lo, 49, Shihmen Road, Chungho City, Taipei Hsien, Taiwan**

*Primary Examiner—*Brian N. Vinson
*Attorney, Agent, or Firm—*Bacon & Thomas

[**] **Term: 14 Years**

[57] **CLAIM**

[21] **Appl. No.: 897**

The ornamental design for a paper roll product dispenser assembly, as shown.

[22] **Filed: Oct. 28, 1992**

DESCRIPTION

[52] **U.S. Cl. D6/519**

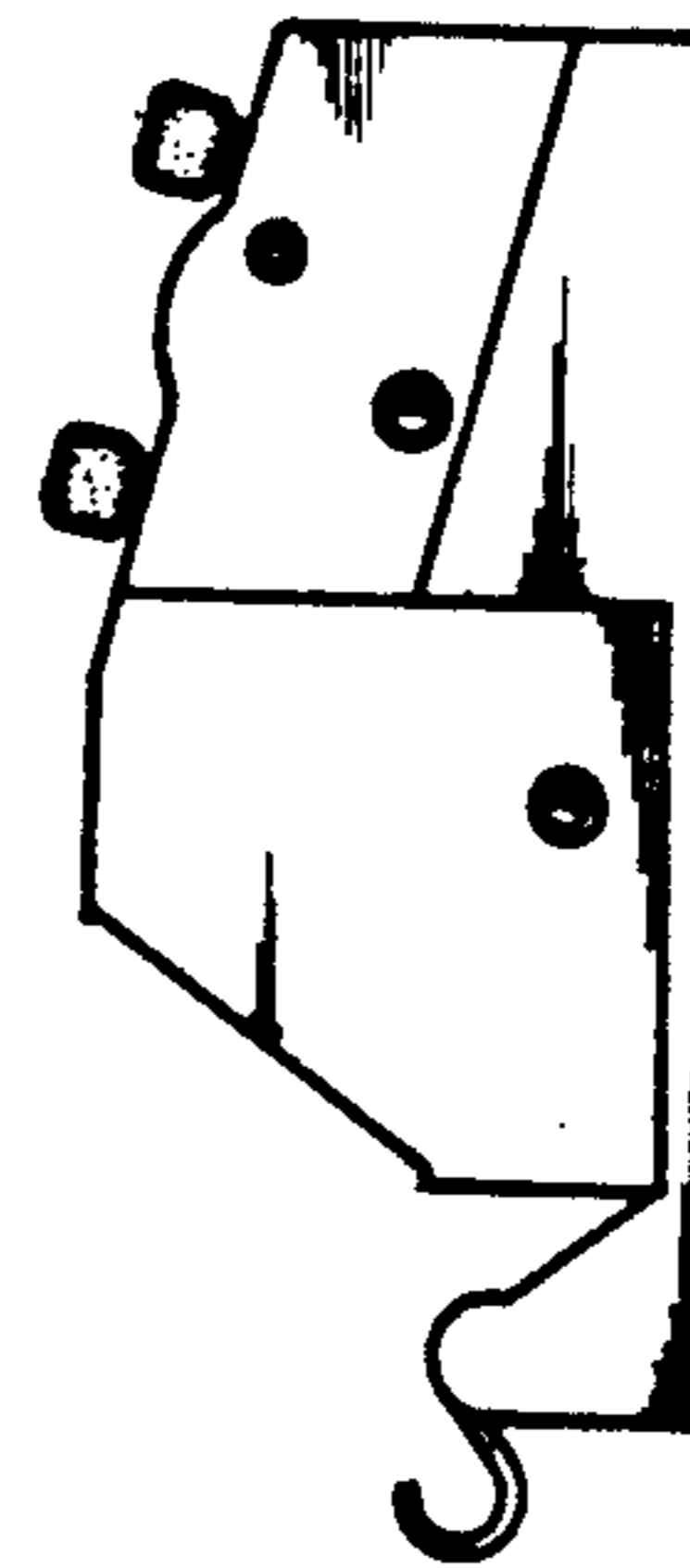
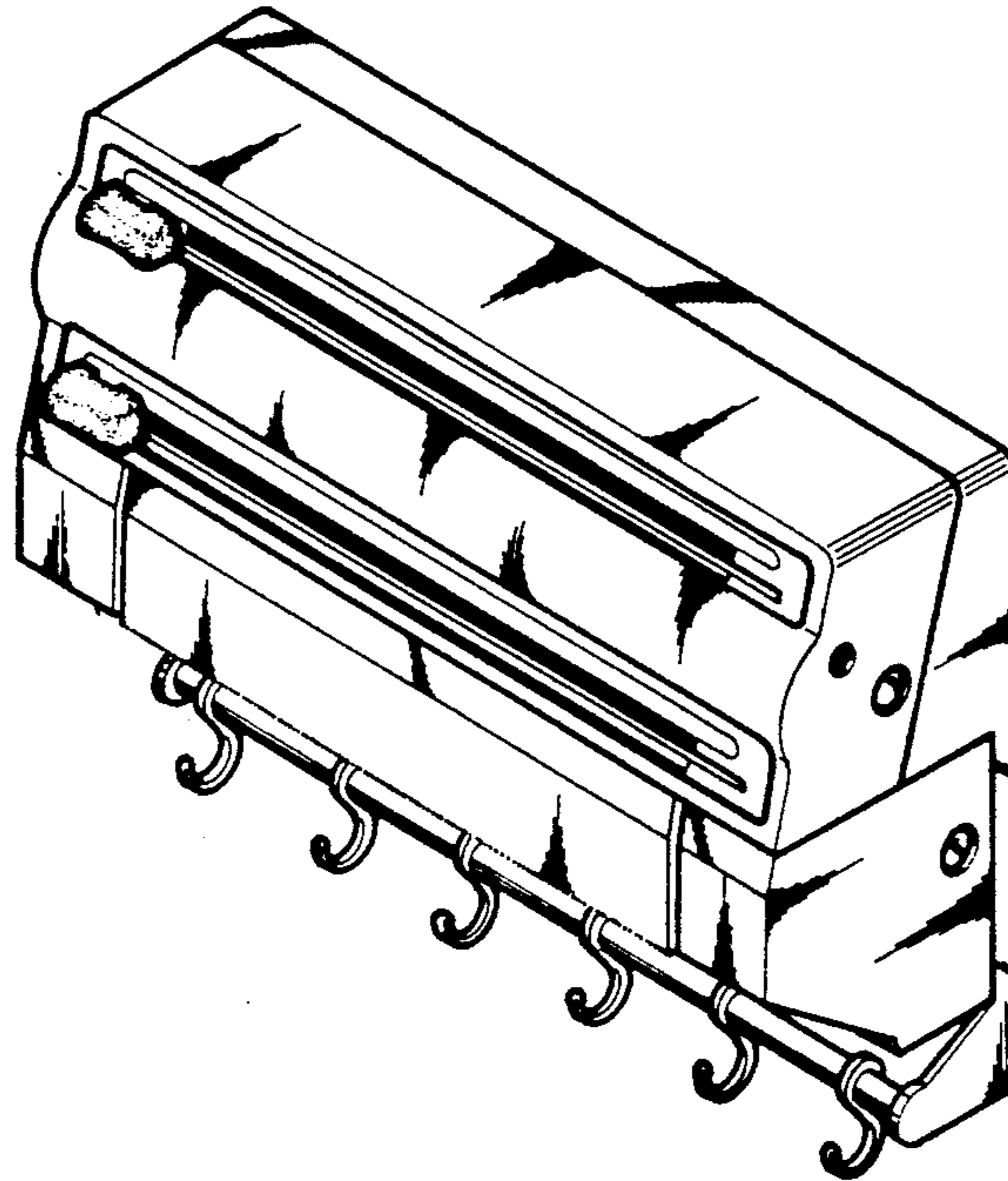
[58] **Field of Search D6/518-520, D6/522-523; 206/389; 221/282, 283; 248/55.2, 55.3, 55.53**

FIG. 1 is a perspective view of a paper roll product dispenser assembly showing my design; FIG. 2 is a front elevational view thereof; FIG. 3 is a rear elevational view thereof; FIG. 4 is a left side elevational view thereof; FIG. 5 is a right side elevational view thereof; FIG. 6 is a top plan view thereof; and, FIG. 7 is a bottom plan view thereof.

[56] **References Cited**

U.S. PATENT DOCUMENTS

D. 201,912 8/1965 Simpkins D6/520



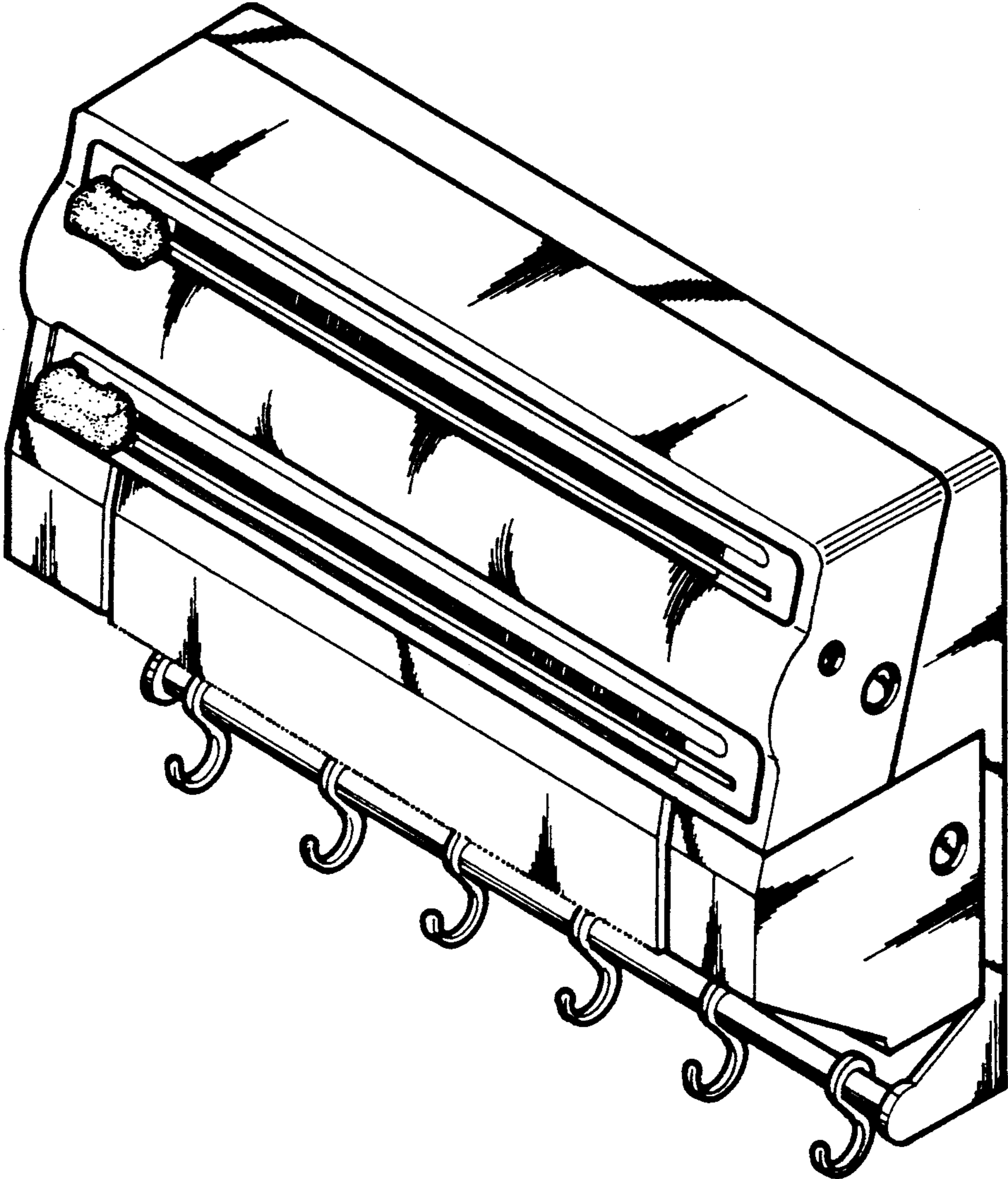


FIG. 1

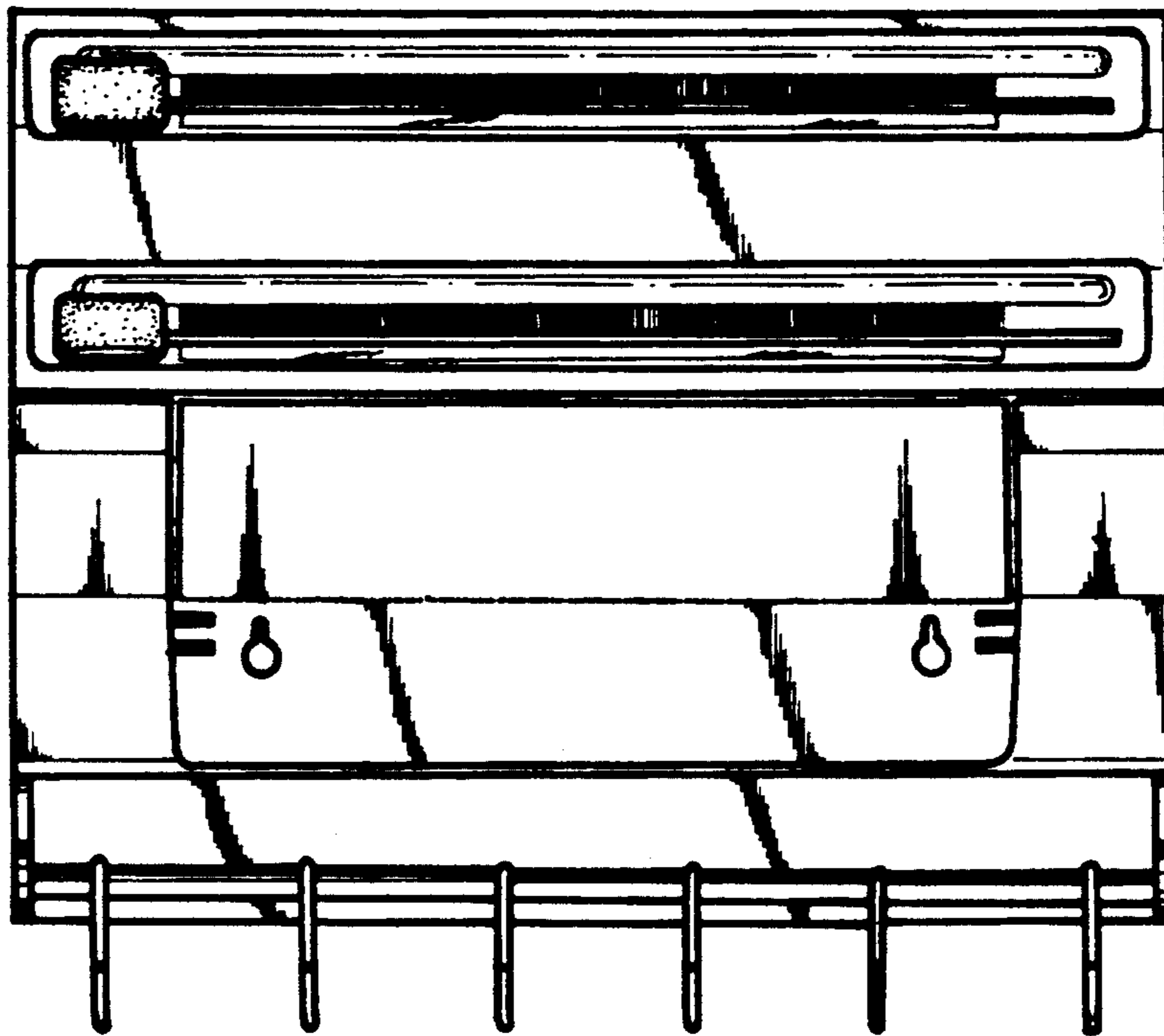


FIG. 2

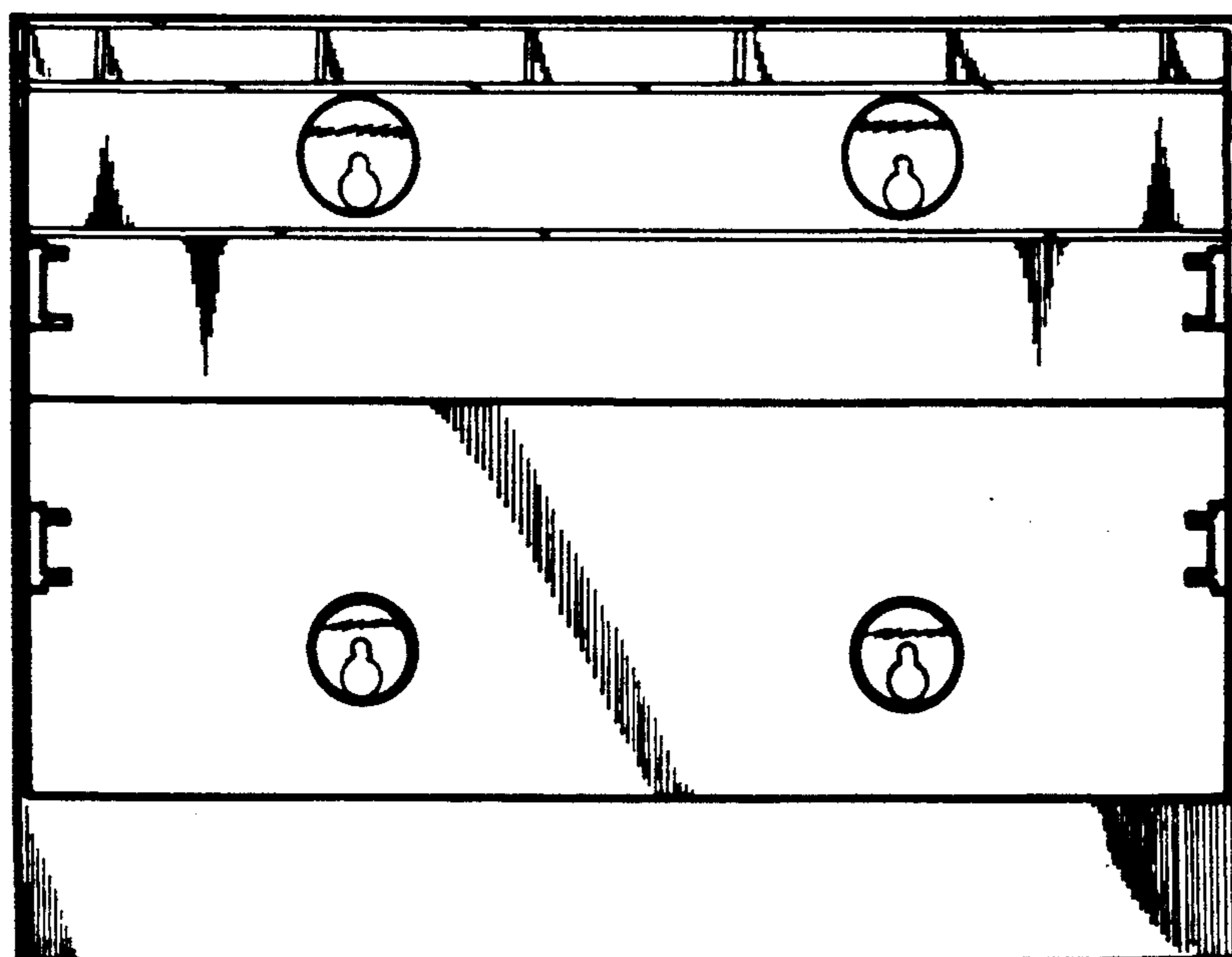


FIG. 3

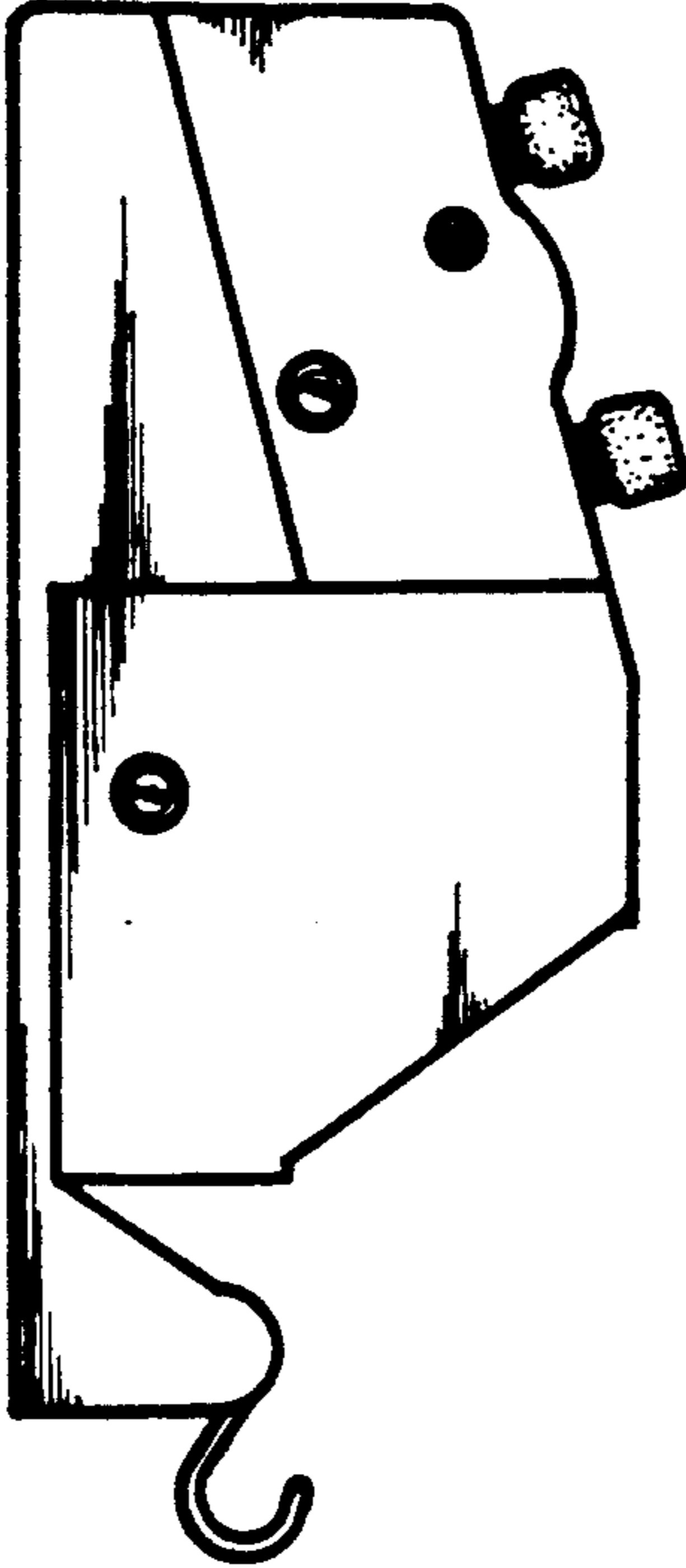


FIG. 4

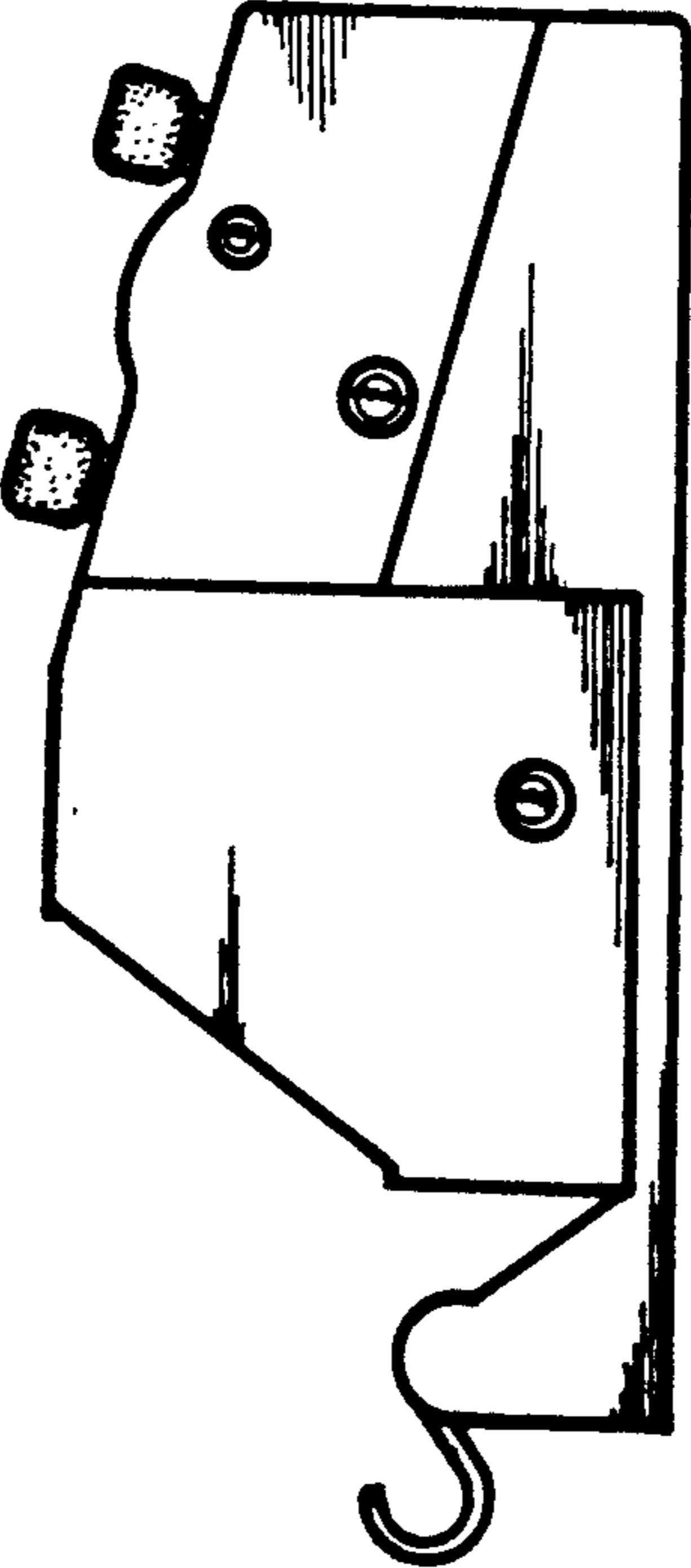


FIG. 5

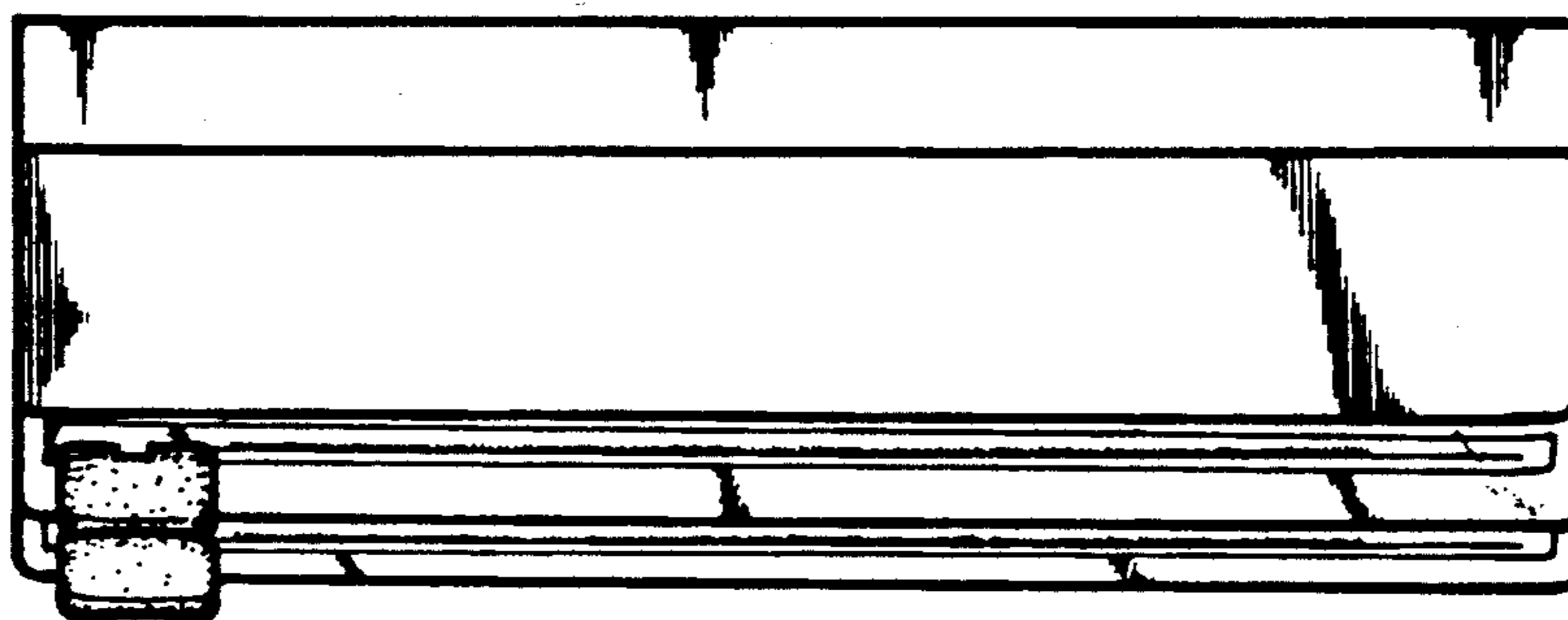


FIG. 6

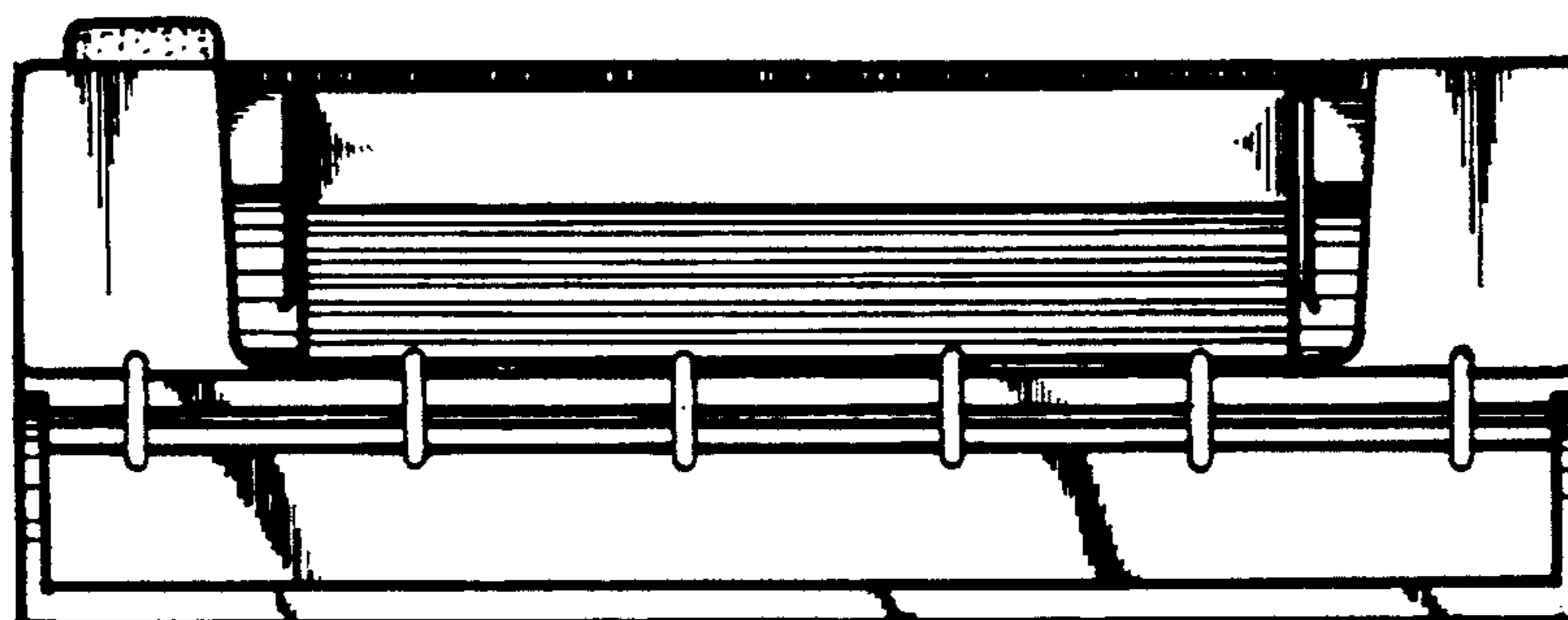


FIG. 7