



US00D342171S

United States Patent [19]

[11] Patent Number: **Des. 342,171**

McConnell

[45] Date of Patent: **** Dec. 14, 1993**

[54] STORAGE BIN

D. 309,998	8/1990	Sumrell et al.	D6/407 X
2,152,192	3/1939	Hoffman	211/34
2,922,527	1/1960	Finn	211/40
4,282,977	8/1981	Di Lorenzo	211/189 X

[76] Inventor: **Olivia B. McConnell**, 11255 N. 51st Dr., Glendale, Ariz. 85304

[**] Term: **14 Years**

Primary Examiner—Alan P. Douglas
Assistant Examiner—Jeffrey Asch
Attorney, Agent, or Firm—Cahill, Sutton & Thomas

[21] Appl. No.: **917,439**

[57] **CLAIM**

[22] Filed: **Jul. 23, 1992**

The ornamental design for a storage bin, as shown and described.

[52] U.S. Cl. **D6/464**
 [58] Field of Search **D6/462-465,**
 D6/449, 407, 411, 414, 475, 476, 477-479;
 211/40-43, 189, 13, 34, 36

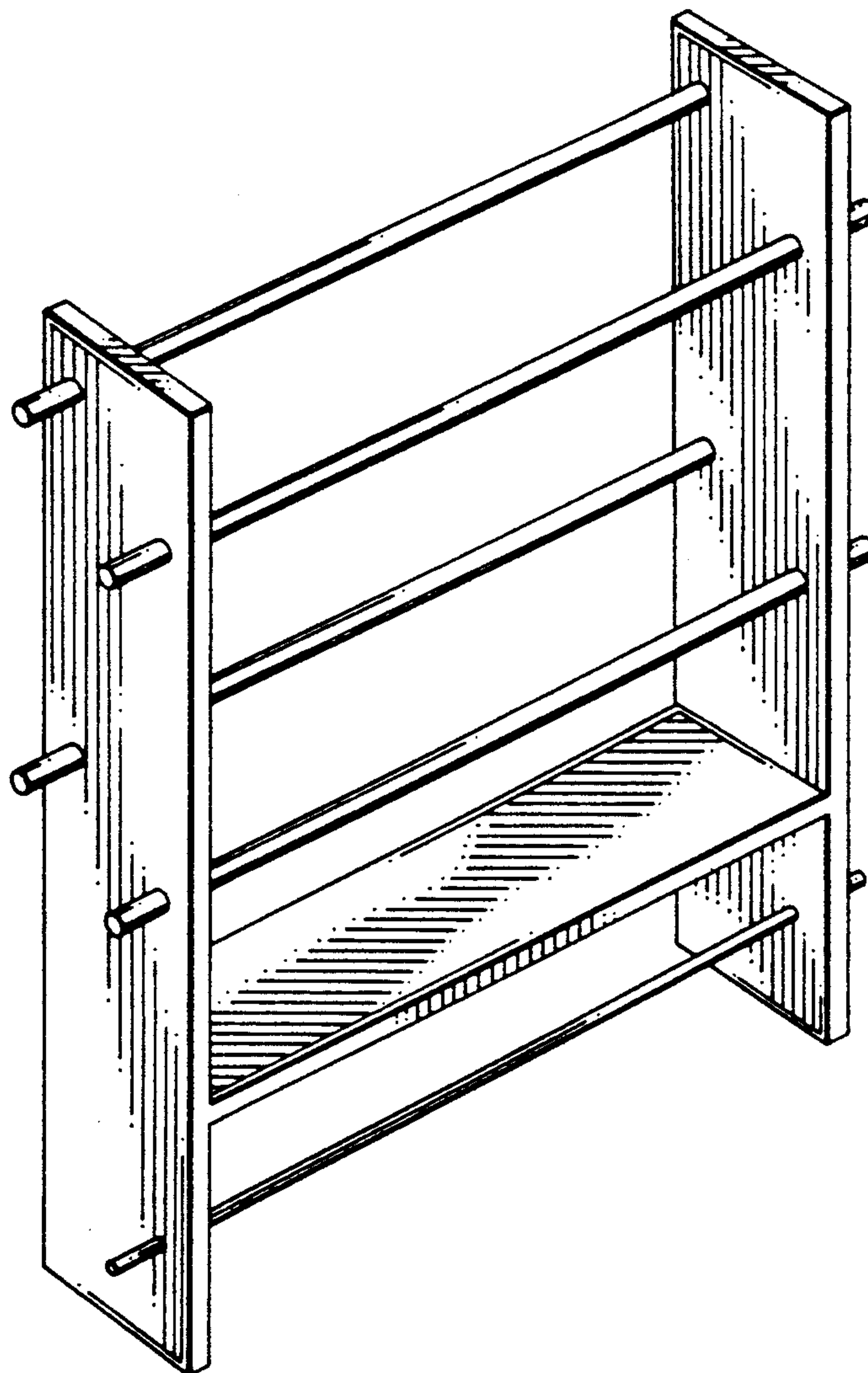
DESCRIPTION

[56] **References Cited**

FIG. 1 is a left front perspective view of a storage bin showing my new design;
FIG. 2 is a front elevational view thereof;
FIG. 3 is a rear elevational view thereof;
FIG. 4 is a top plan view thereof;
FIG. 5 is a bottom plan view thereof;
FIG. 6 is a left end view thereof; and,
FIG. 7 is a right end view thereof.

U.S. PATENT DOCUMENTS

D. 125,639	3/1941	Larson	D6/411 X
D. 184,900	4/1959	Von Meyer	D6/407
D. 195,388	6/1963	Brunner	D6/475
D. 289,585	5/1987	Lord	D6/414
D. 308,608	6/1990	Arnold	D6/411



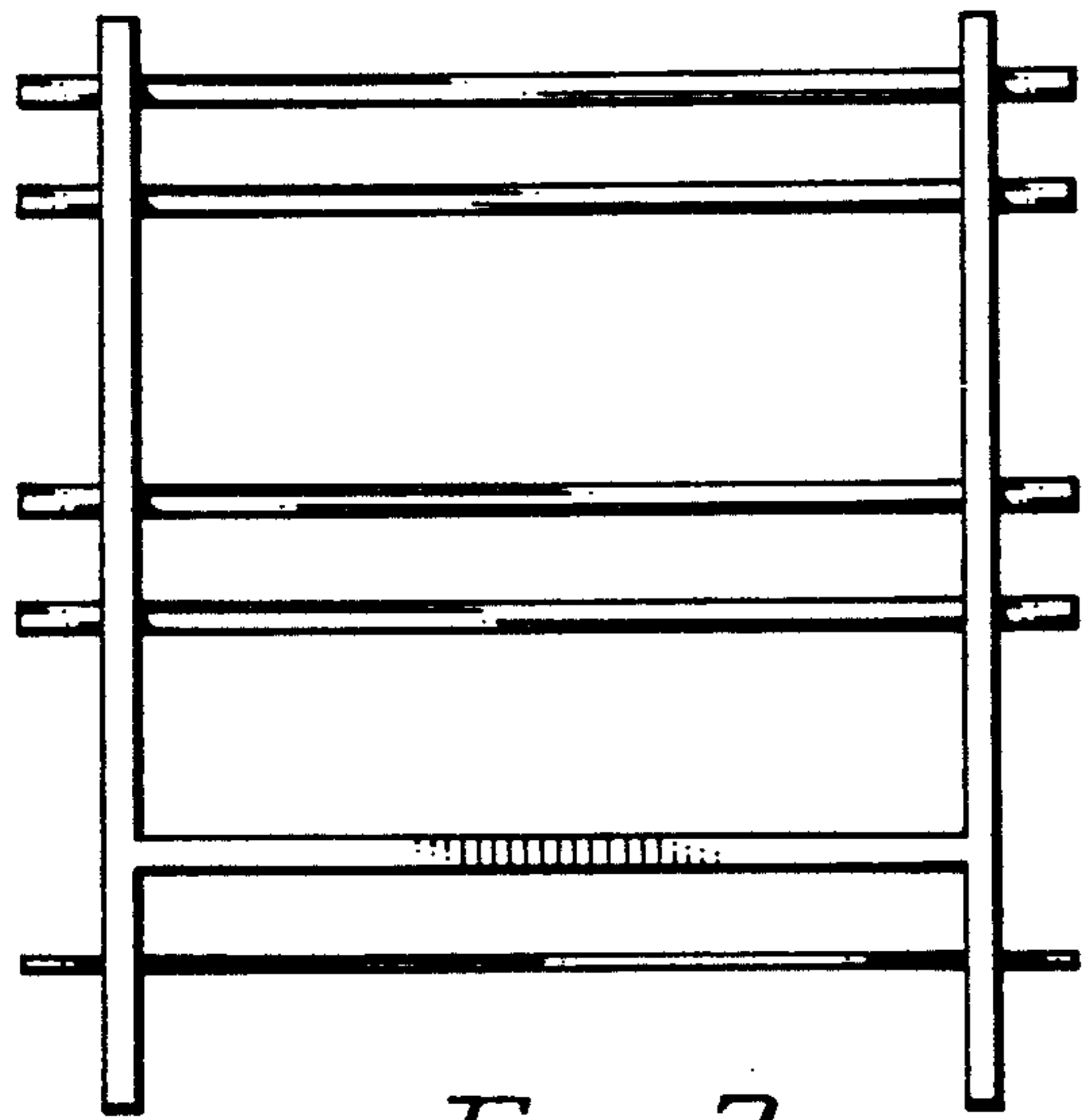
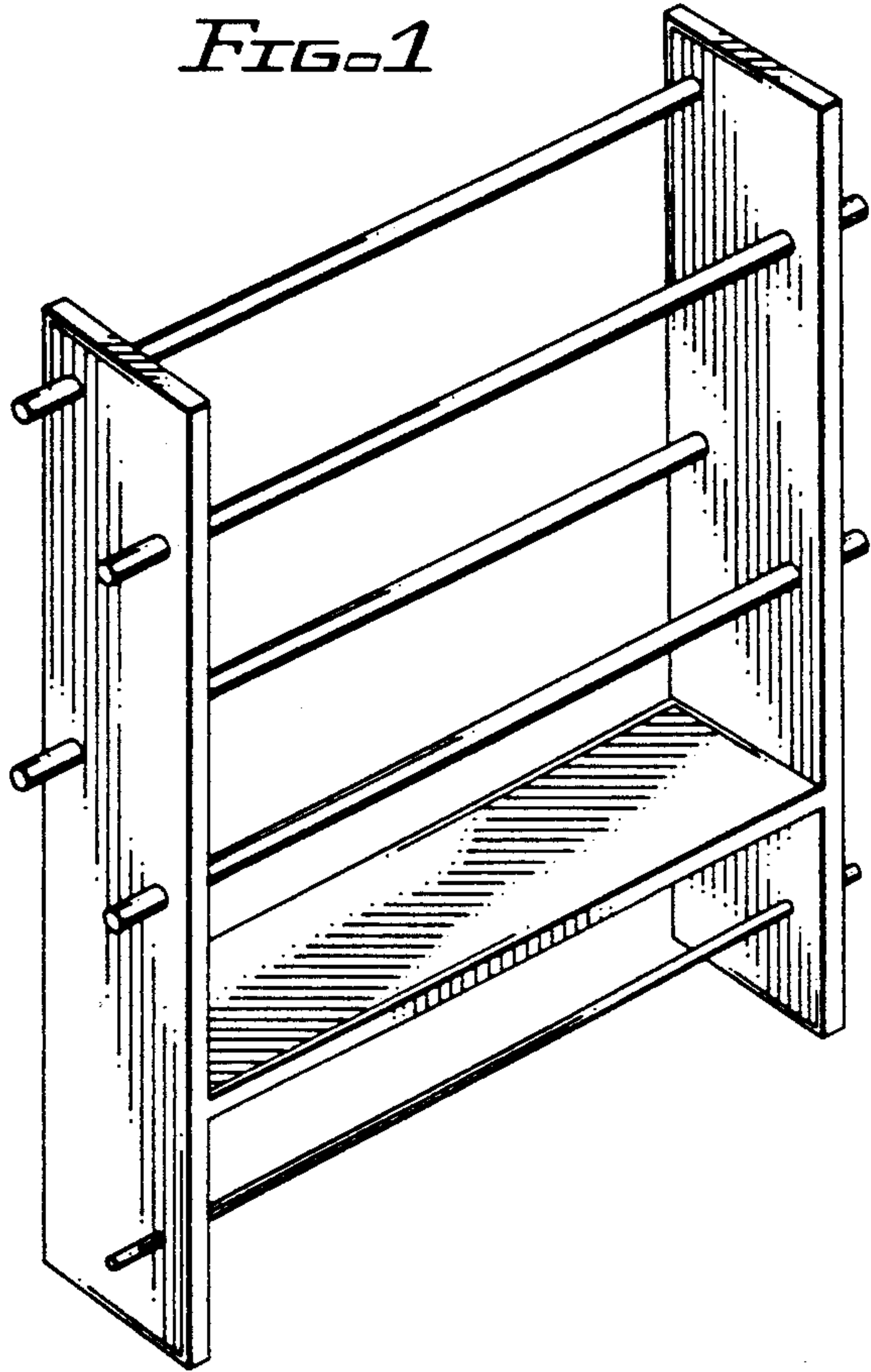


FIG. 2

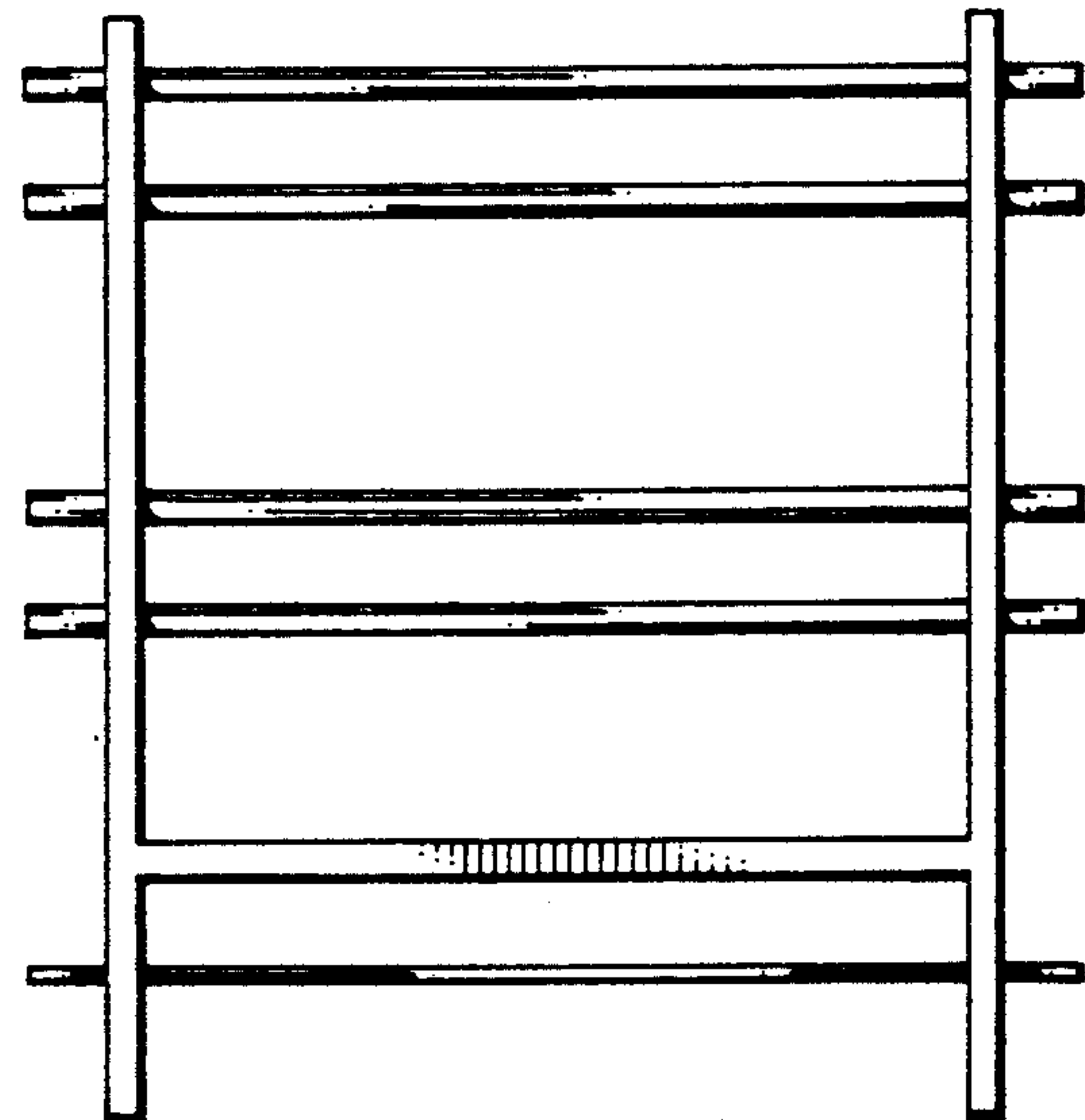


FIG. 3

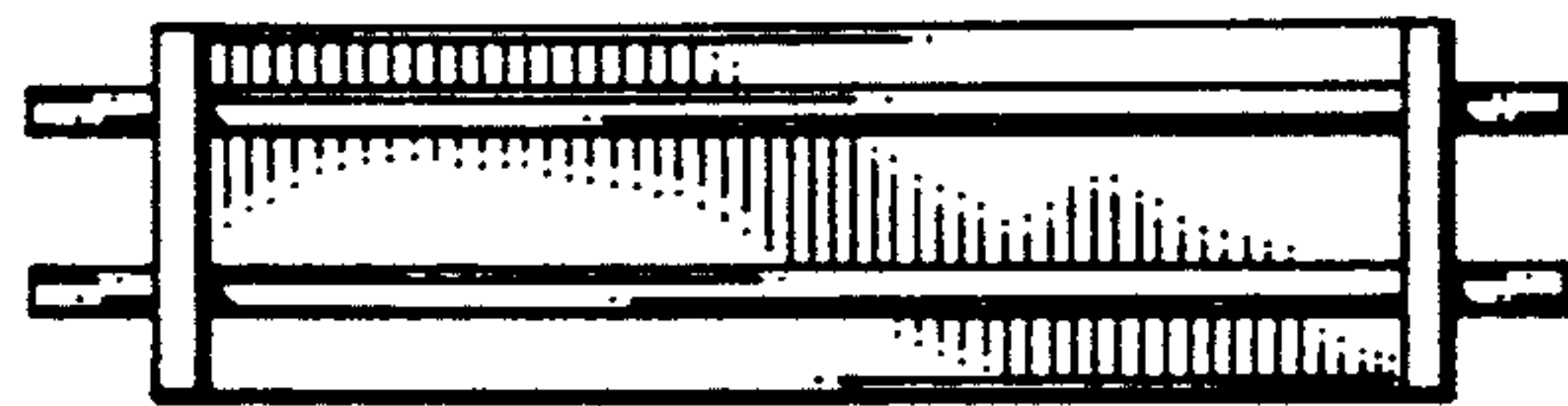


FIG. 4



FIG. 5

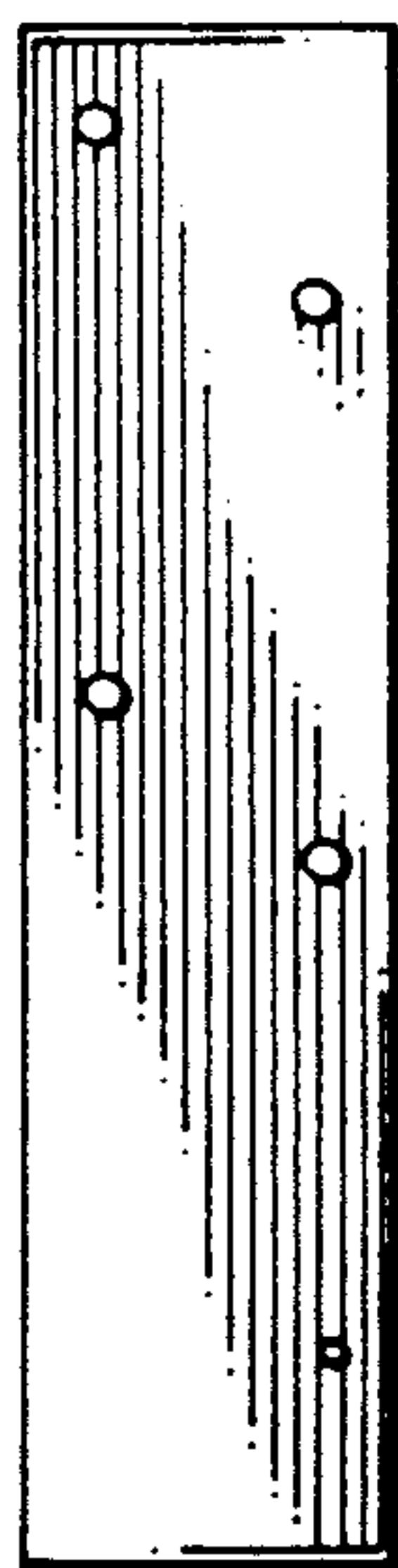


FIG. 6

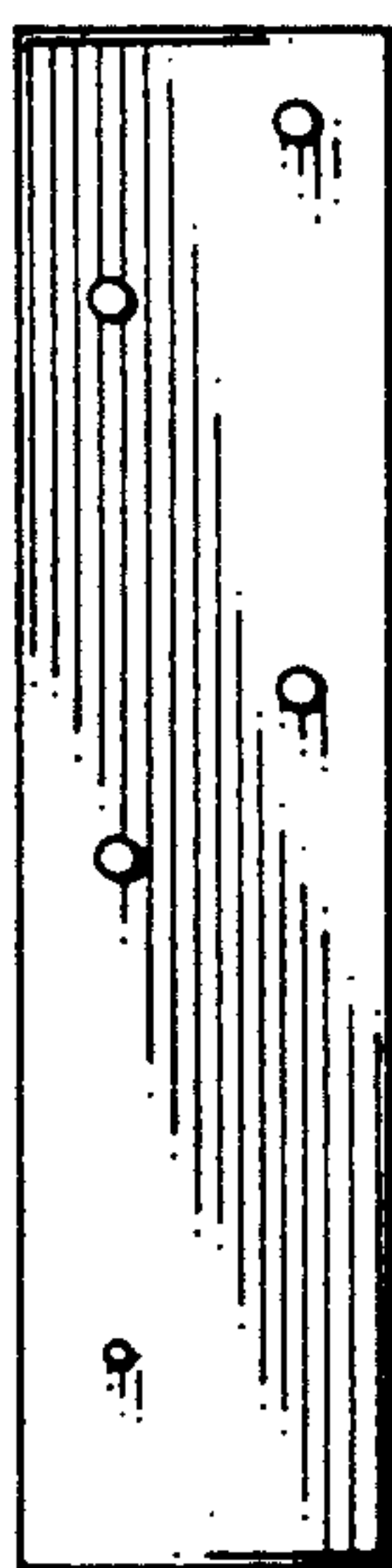


FIG. 7