



US00D342170S

United States Patent [19]

Palmer

[11] Patent Number: **Des. 342,170**

[45] Date of Patent: **** Dec. 14, 1993**

[54] **CHILD'S CAR TRAY**

[76] Inventor: **Barbara L. Palmer**, 201 Westbrook Dr., Raleigh, N.C. 27615

[**] Term: **14 Years**

[21] Appl. No.: **651,907**

[22] Filed: **Feb. 7, 1991**

[52] U.S. Cl. **D6/406**

[58] Field of Search D6/406, 419, 420, 429-430, D6/467, 468; D21/121; 248/444; 108/5, 25, 32, 43

4,765,583 8/1988 Tenner 248/444
 4,972,781 11/1990 Montgomery et al. 108/25
 5,081,936 1/1992 Drieling 108/43

FOREIGN PATENT DOCUMENTS

3939216 6/1990 Fed. Rep. of Germany 108/43
 2140290 11/1984 United Kingdom 108/43

Primary Examiner—Carmen H. Vales-Lado
Attorney, Agent, or Firm—Jerome J. Norris

[57] CLAIM

The ornamental design for a child's car tray, as shown and described.

[56] References Cited

U.S. PATENT DOCUMENTS

D. 67,394 5/1925 Cornwell D6/406
 D. 282,043 1/1986 Morin D6/406 X
 D. 282,218 1/1986 Catelli D21/121
 D. 289,840 5/1987 Burkes D6/406 X
 D. 293,254 12/1987 Appel et al. D21/59
 D. 318,579 7/1991 Palmer D6/406
 2,640,747 6/1953 Bodenhoff 248/444

DESCRIPTION

FIG. 1 is a top perspective of a child's car tray showing my new design;
 FIG. 2 is a top plan view thereof;
 FIG. 3 is a front elevational view thereof;
 FIG. 4 is a side elevational view, the opposite side being identical thereto; and,
 FIG. 5 is a bottom plan view thereof.

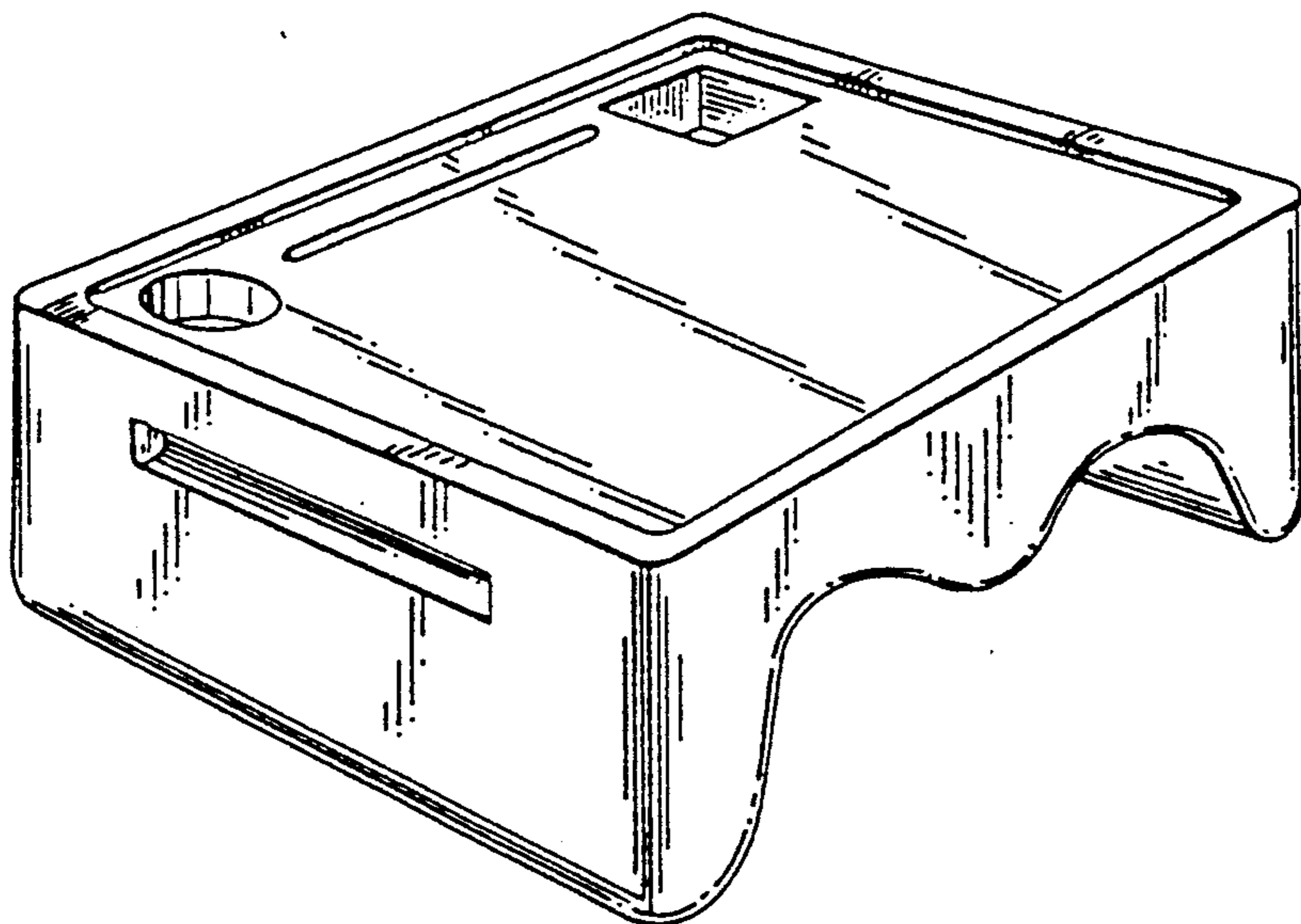


FIG. 1

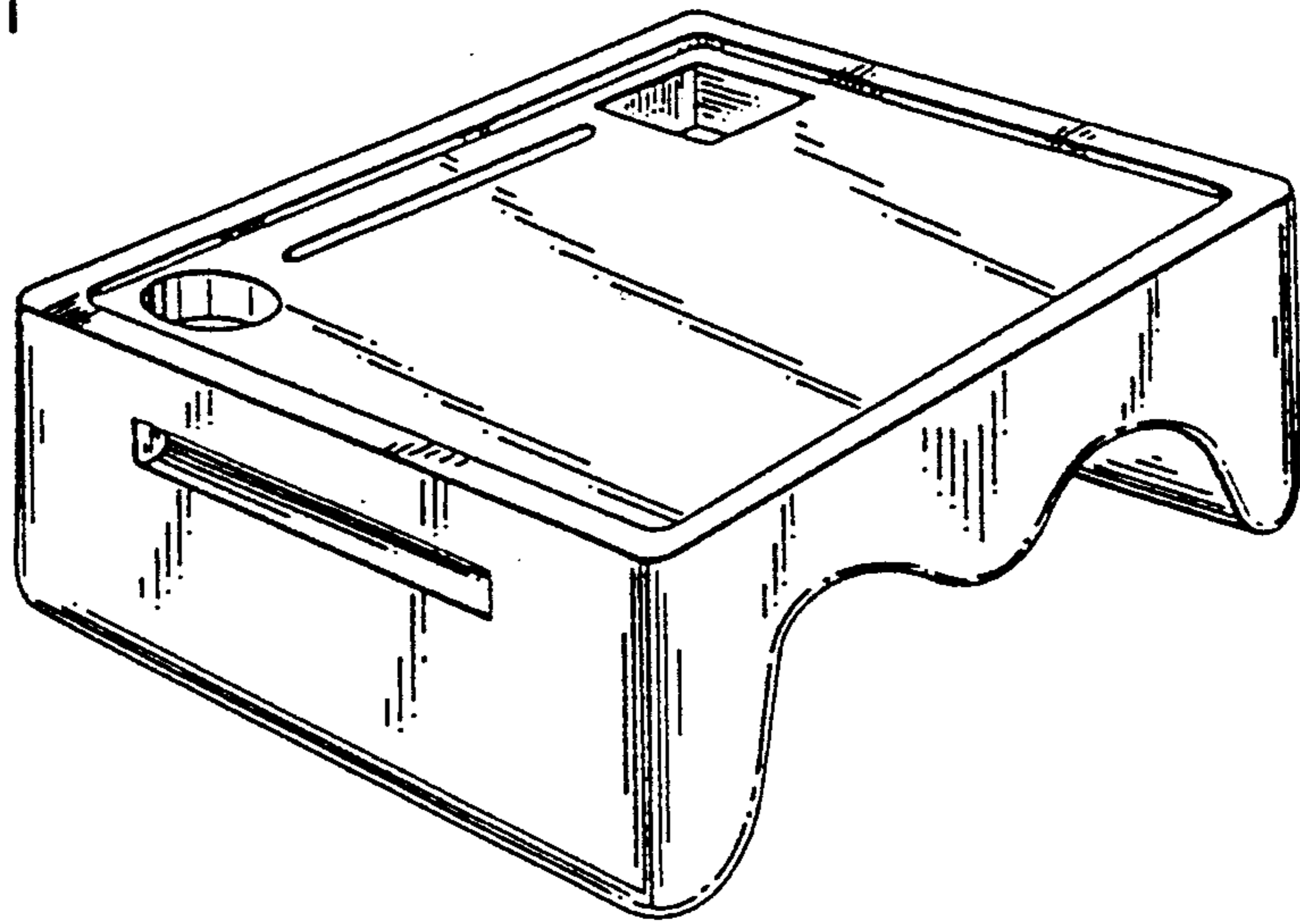


FIG. 2

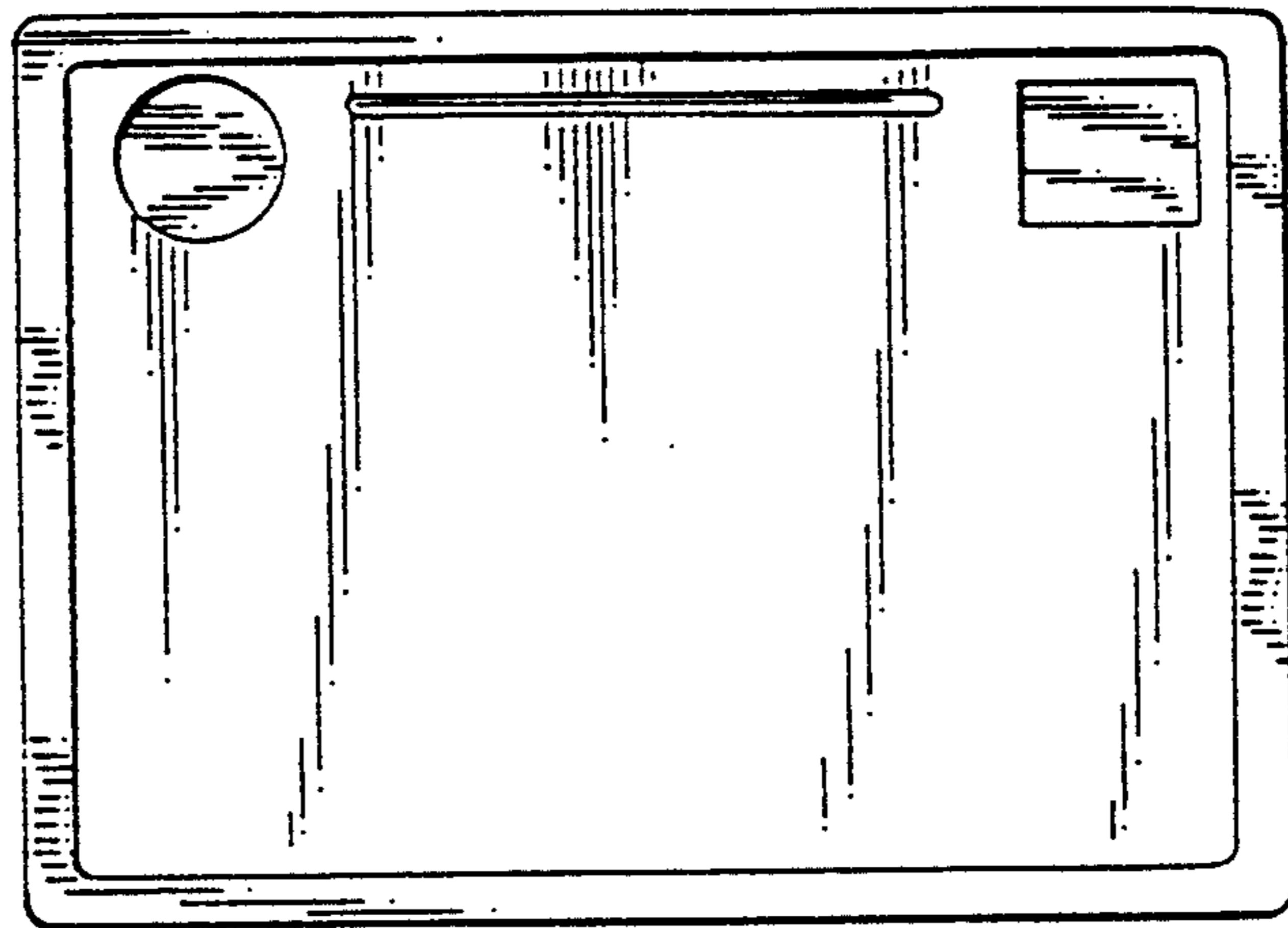


FIG. 3

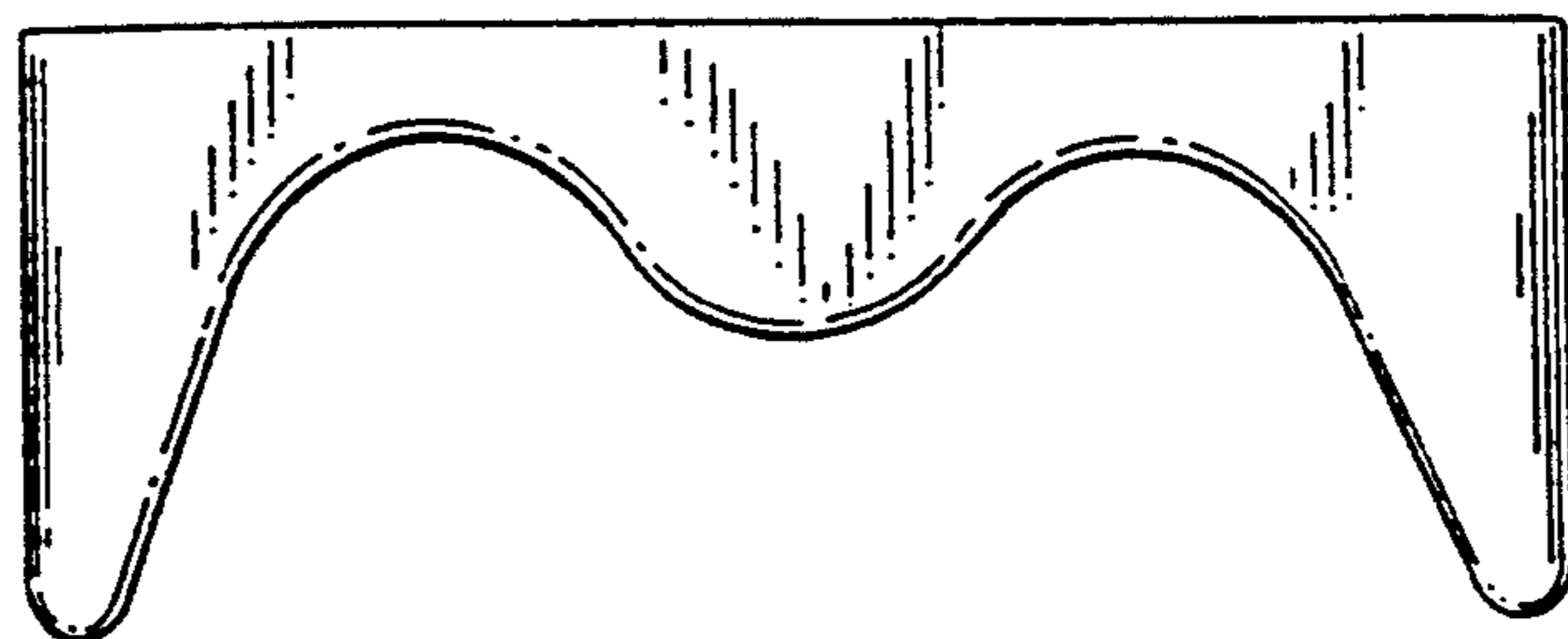


FIG. 4

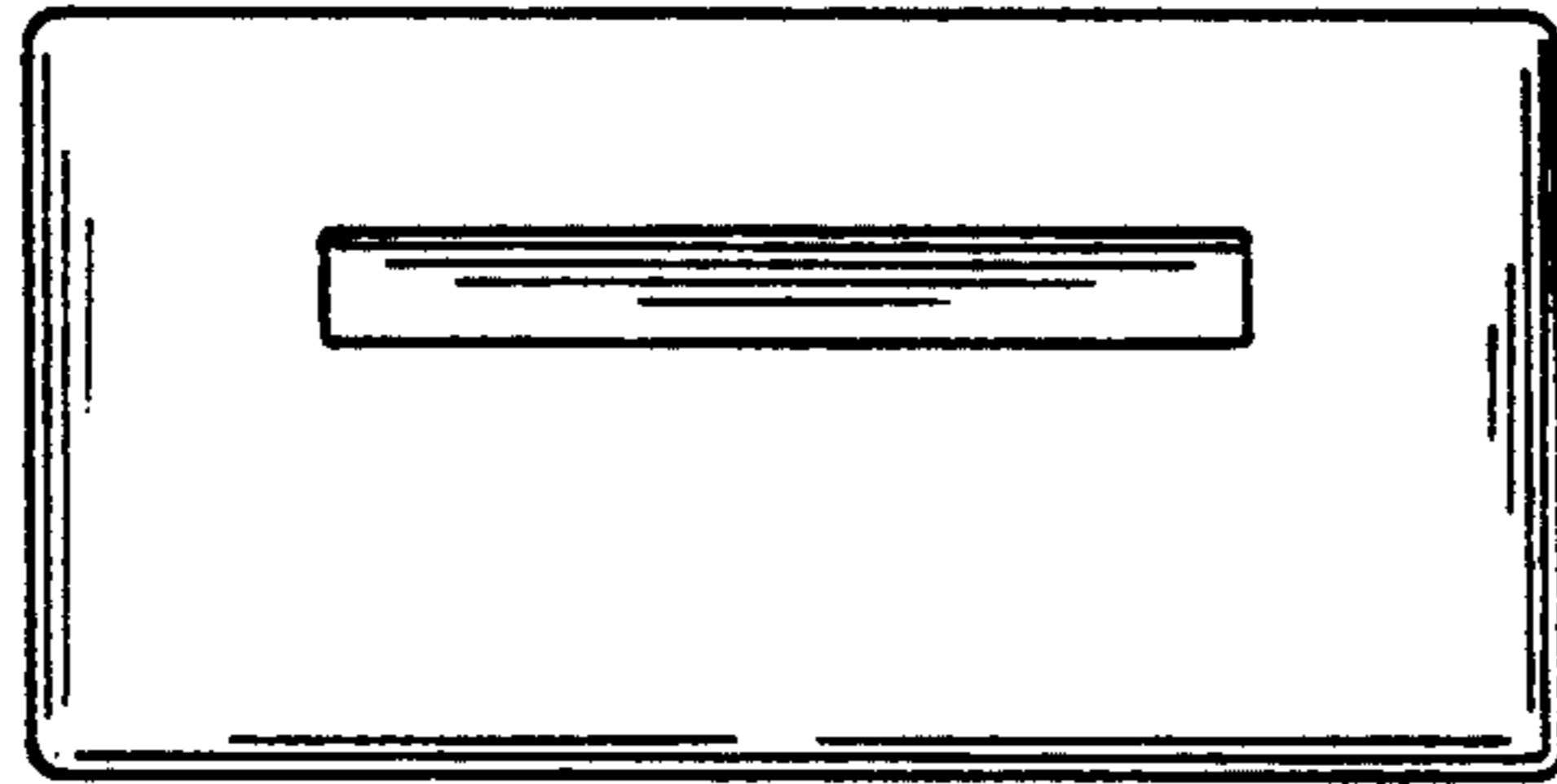


FIG. 5

