



US00D342166S

United States Patent [19]
Heidmann

[11] **Patent Number: Des. 342,166**
[45] **Date of Patent: ** Dec. 14, 1993**

[54] **COMBINED CHAIR AND TABLE**

[75] **Inventor: Charles Heidmann, Strasbourg, France**
[73] **Assignee: Steelcase Strafor, Strasbourg, France**
[**] **Term: 14 Years**
[21] **Appl. No.: 598,419**
[22] **Filed: Oct. 16, 1990**
[30] **Foreign Application Priority Data**

Apr. 20, 1990 [FR] France 90 2814
[52] **U.S. Cl. D6/336; D6/341**
[58] **Field of Search D6/333, 334, 341, 336, D6/349; 5/2.1; 297/135, 170**

[56] **References Cited**

U.S. PATENT DOCUMENTS

D. 97,846 12/1935 Ely D6/349
D. 237,026 10/1975 Vogt D6/336
D. 268,552 4/1983 Raftery et al. D6/336
D. 285,151 8/1986 Molinari D6/335 X
3,082,034 3/1963 Silver 297/135

OTHER PUBLICATIONS

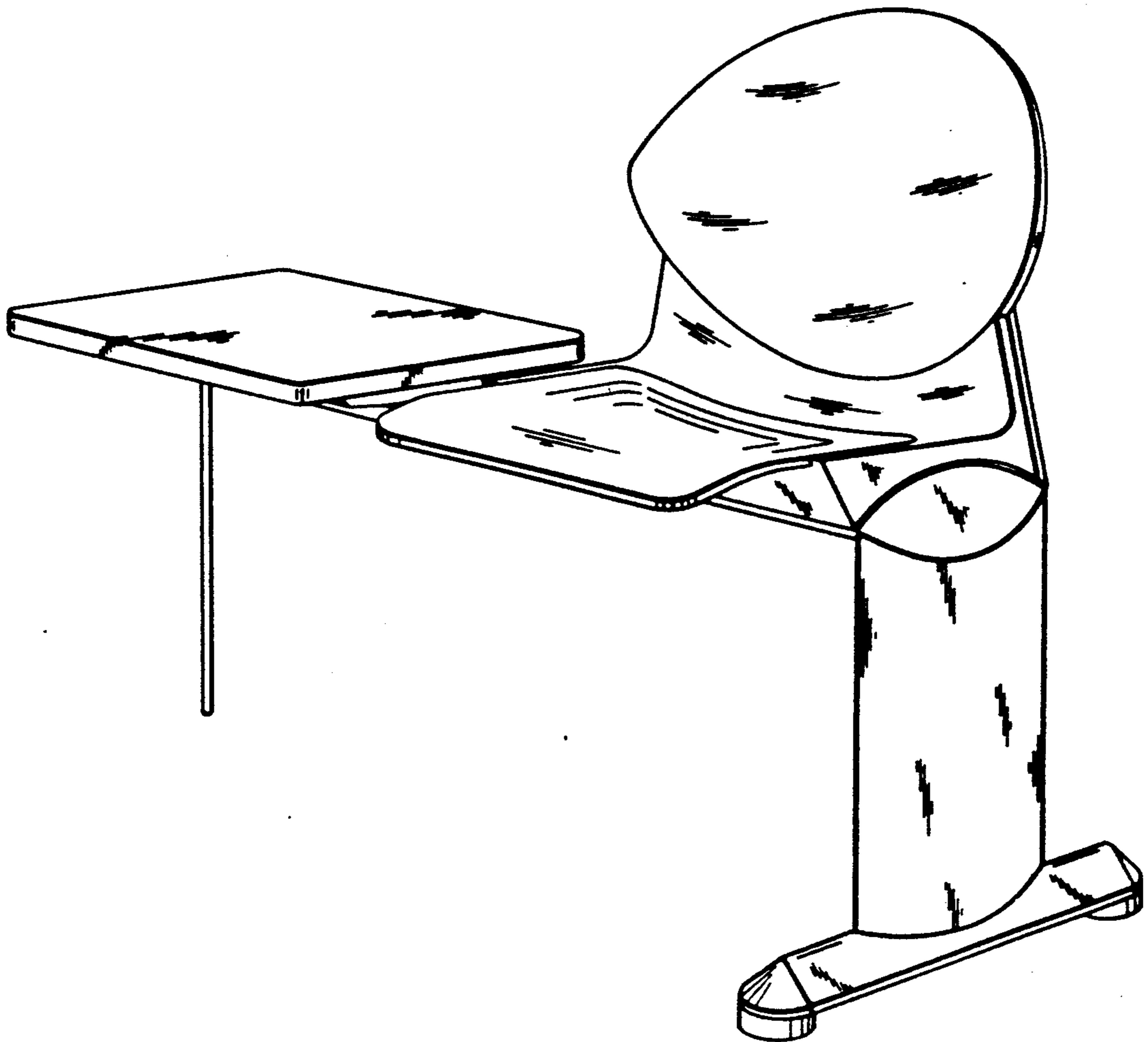
Design, Aug. 1982, p. 49 "OMK" seating center of page.
Interiors, 1985, p. 49, "Plexus Collection" metal furniture, bottom left of page.
Interiors, May 1965, "Tandem #3", center of page.
Primary Examiner—Carmen H. Vales-Lado
Attorney, Agent, or Firm—Mason, Fenwick & Lawrence

CLAIM

[57] The ornamental design for a combined chair and table, as shown.

DESCRIPTION

FIG. 1 is a front perspective view of a combined chair and table showing my new design;
FIG. 2 is a right-end elevation thereof;
FIG. 3 is a front elevation view thereof;
FIG. 4 is a rear elevation view thereof;
FIG. 5 is a top plan view thereof;
FIG. 6 is a left-end elevation thereof;
FIG. 7 is a bottom plan view thereof; and,
FIG. 8 is a sectional view of the chair leg.



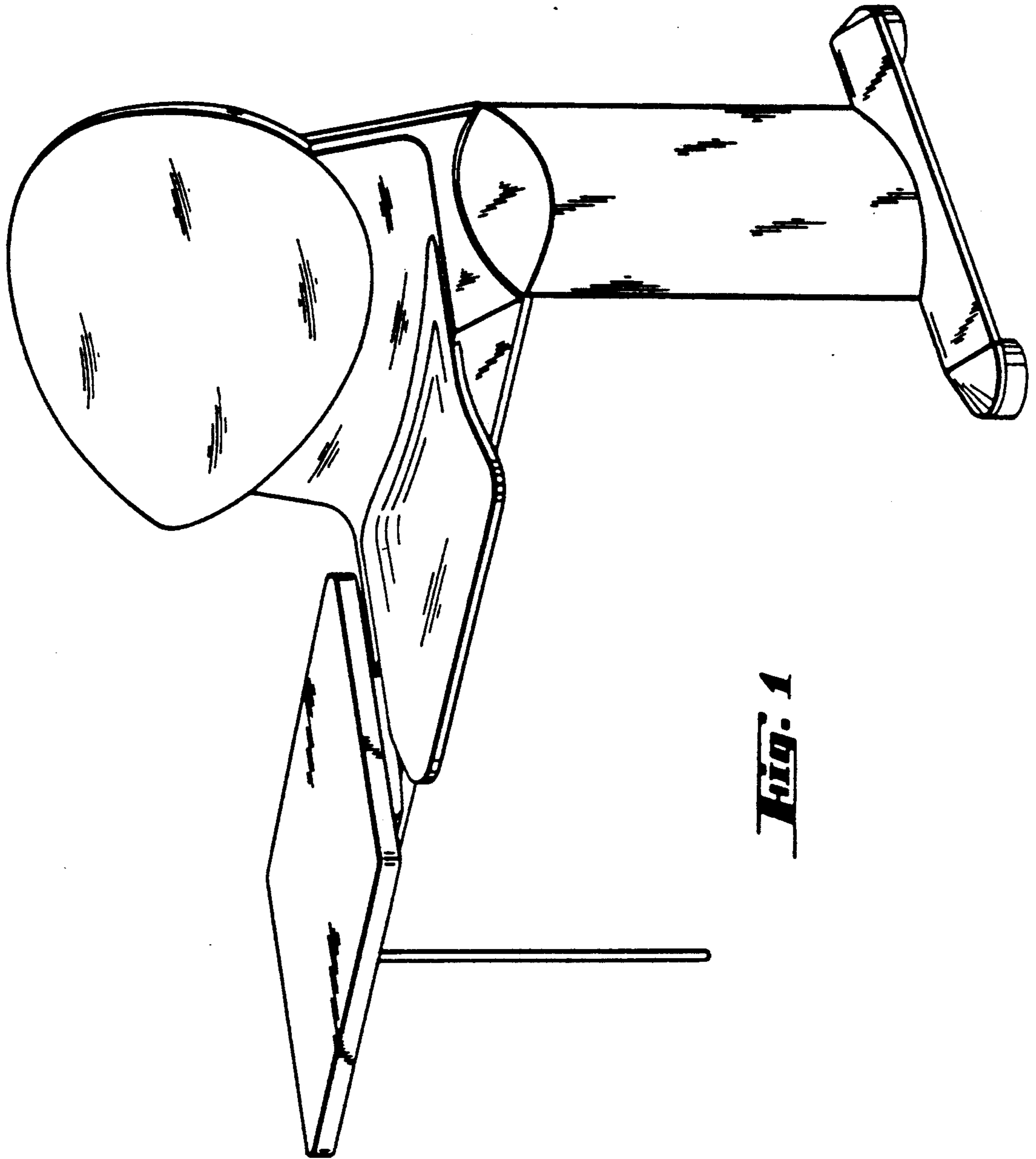
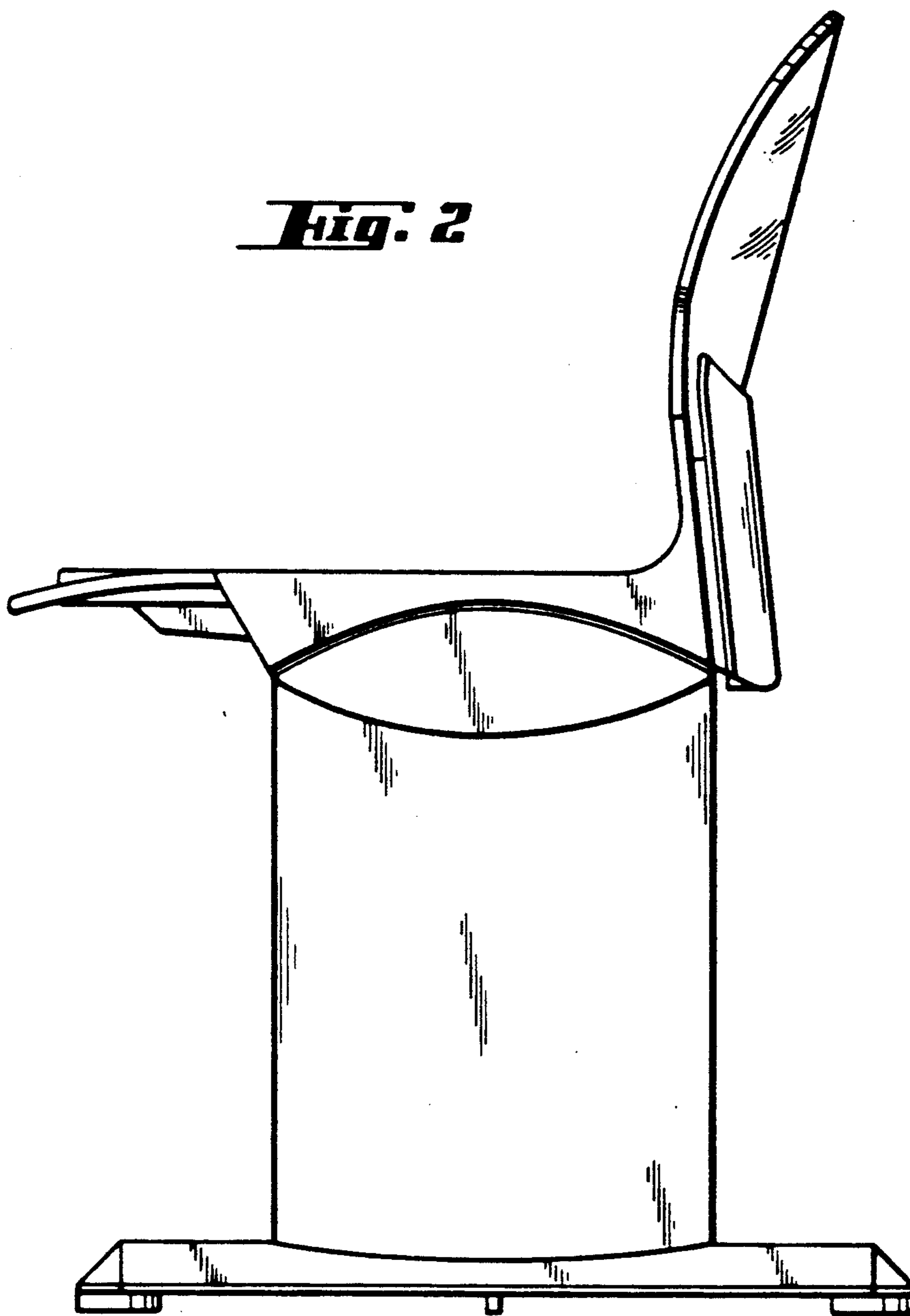
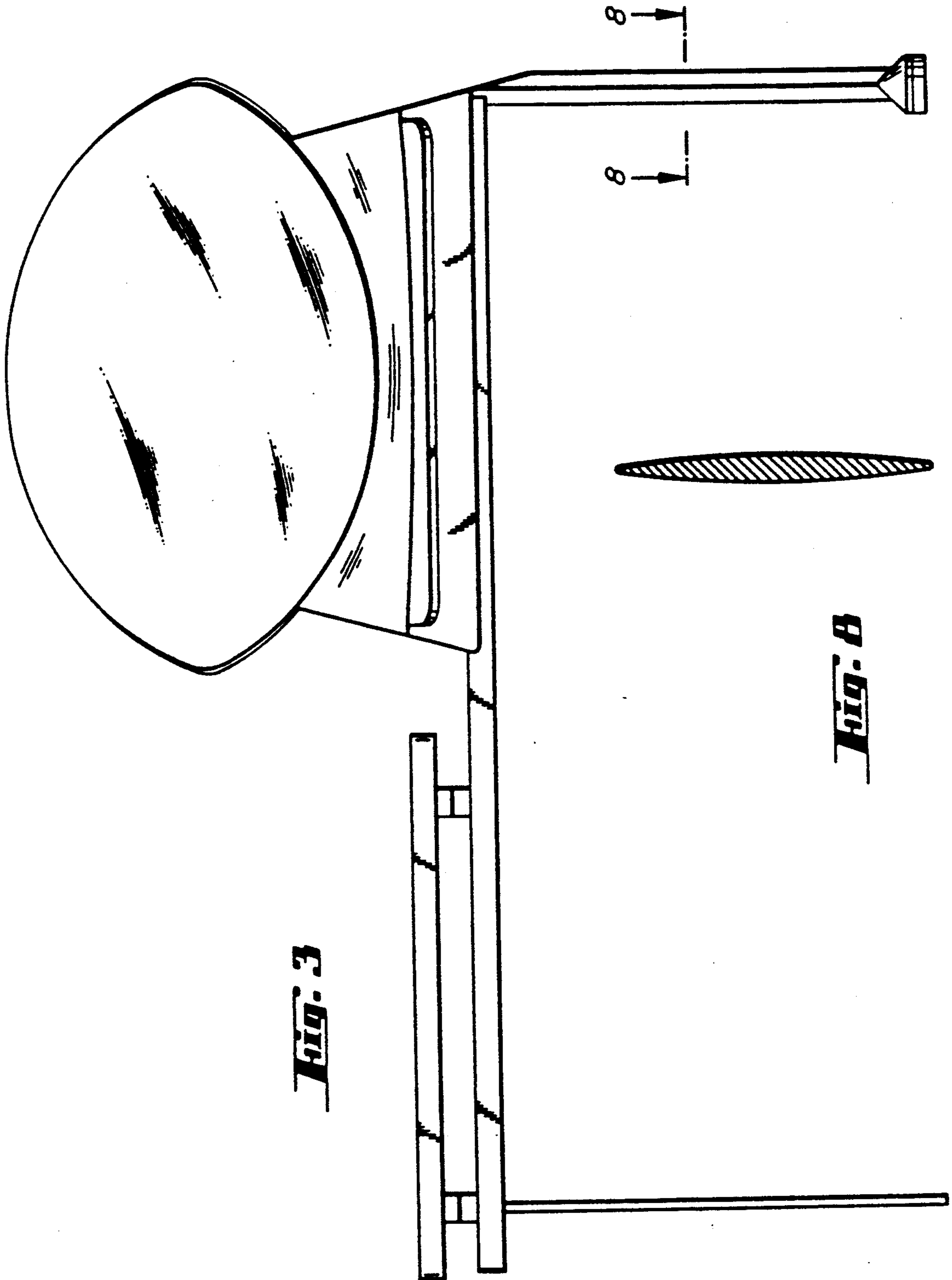


Fig. 1

Fig. 2





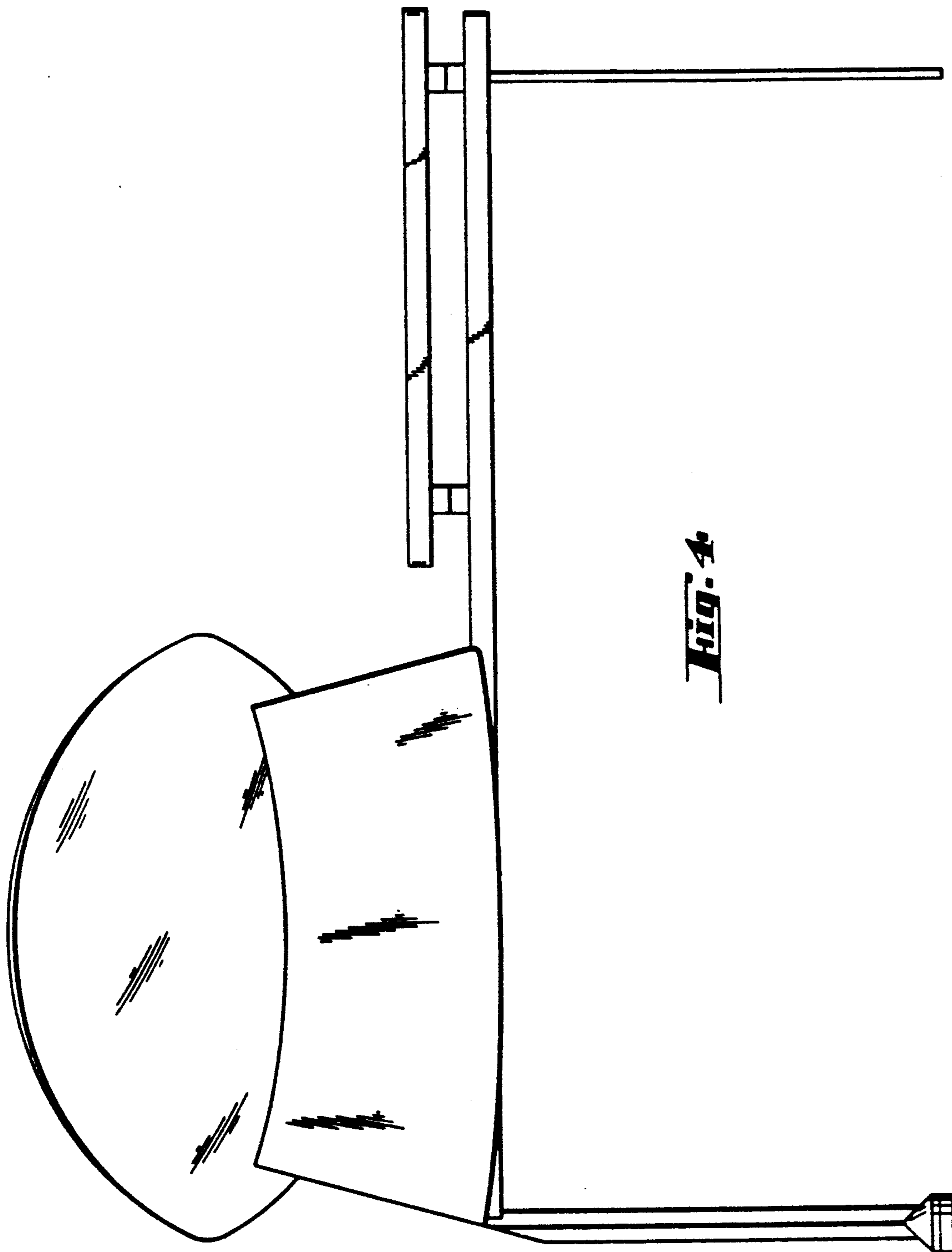


Fig. 4

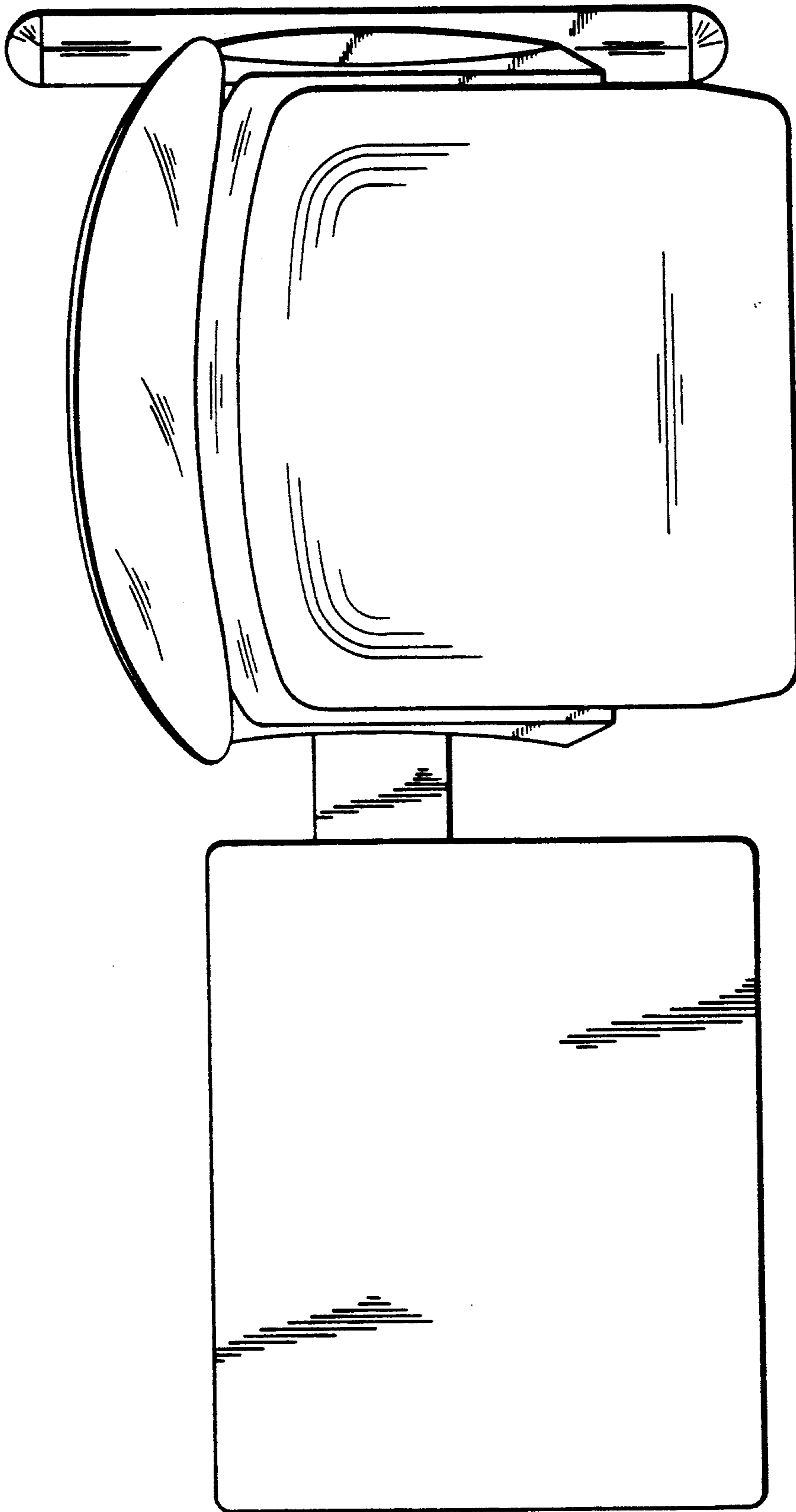


FIG. 5

