



US00D342156S

United States Patent [19]

[11] Patent Number: **Des. 342,156**

Turner

[45] Date of Patent: **** Dec. 14, 1993**

[54] **COSMETIC KIT**

[76] Inventor: **Caroleen Turner**, 7012 Tarquin Ave., Temple Hills, Md. 20748

[**] Term: **14 Years**

[21] Appl. No.: **778,644**

[22] Filed: **Oct. 18, 1991**

[52] U.S. Cl. **D3/39; D28/83**

[58] Field of Search **D3/39, 40, 52; D28/38, D28/61, 83, 76-78; 220/DIG. 26; 362/135, 14 137; 206/235, 581, 823; 132/286-288, 293, 294, 300, 301, 316**

[56] **References Cited**

U.S. PATENT DOCUMENTS

D. 103,112	2/1937	Lewis	D3/39
D. 132,698	6/1942	Hollis	D3/39
D. 134,053	10/1942	Botham	D3/39
D. 290,786	7/1987	Townley	D3/39
D. 308,756	6/1990	Turner	D28/83 X
2,389,788	11/1945	Lathrop	D28/83 X

Primary Examiner—Louis S. Zarfes
Attorney, Agent, or Firm—Staas & Halsey

[57] **CLAIM**

The ornamental design for a cosmetic kit, as shown and described.

DESCRIPTION

FIG. 1 is a perspective of a cosmetic kit showing my new design;
 FIG. 2 is a top plan view thereof;
 FIG. 3 is a front elevational view thereof;
 FIG. 4 is a right side elevational view thereof;
 FIG. 5 is a rear elevational view thereof;
 FIG. 6 is a bottom plan view thereof;
 FIG. 7 is a perspective view with the top lid raised exposing the shelf below;
 FIG. 8 is a perspective view with the drawer in open position and with the lid thereof raised;
 FIG. 9 is a perspective view with the drawer in open position and with the lid thereof raised; and,
 FIG. 10 is a perspective view with the bottom lid raised.

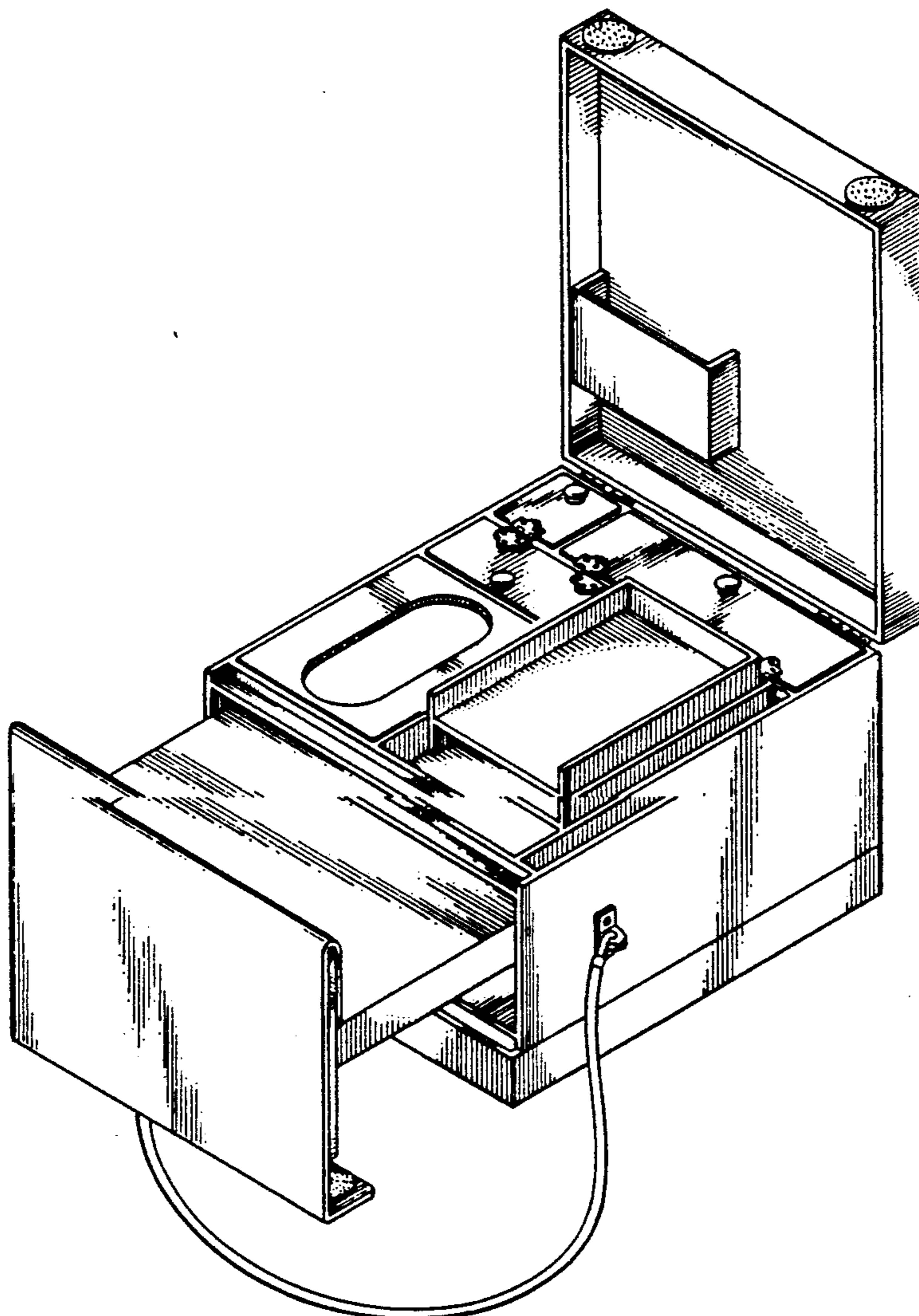


FIG. 1

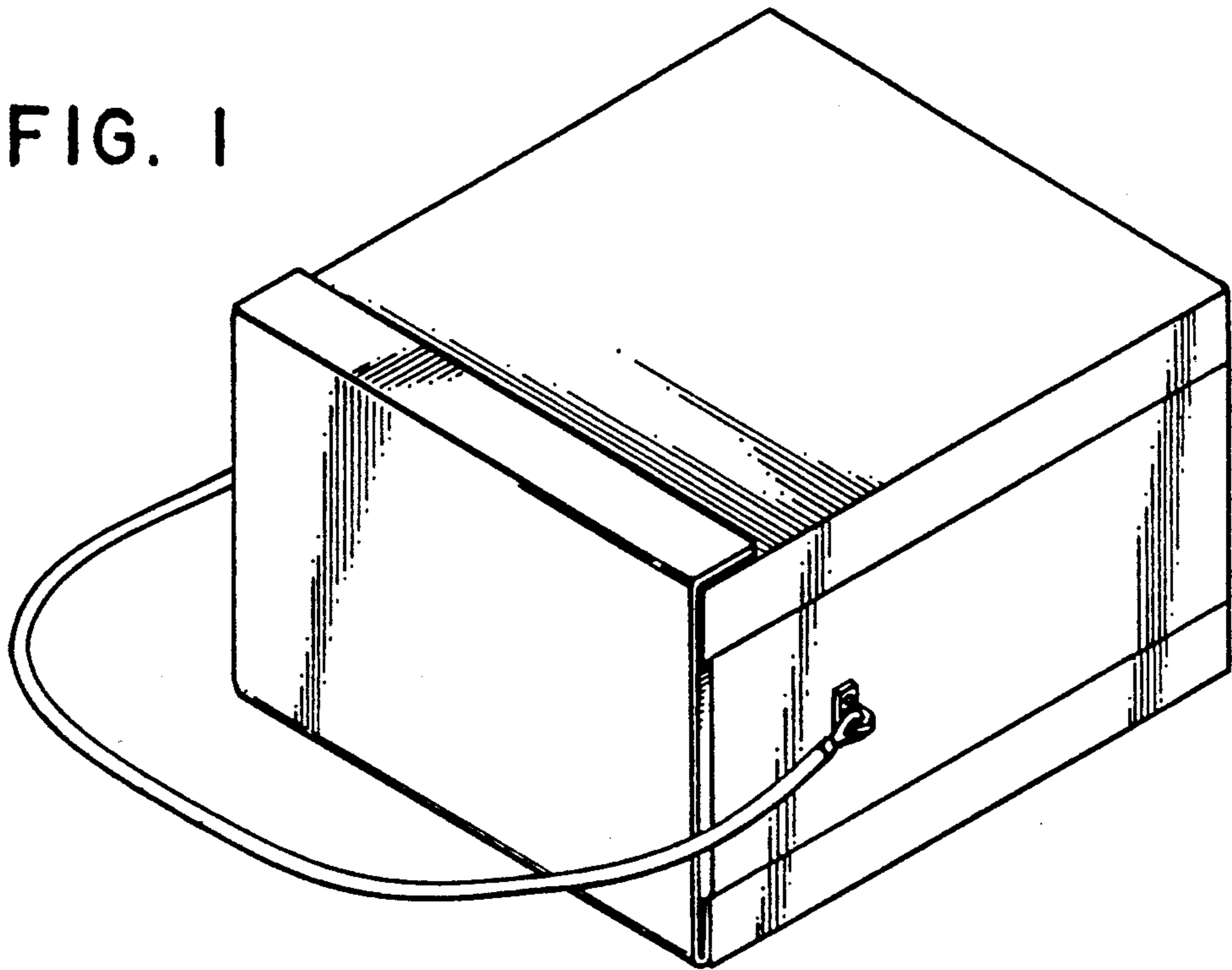


FIG. 2

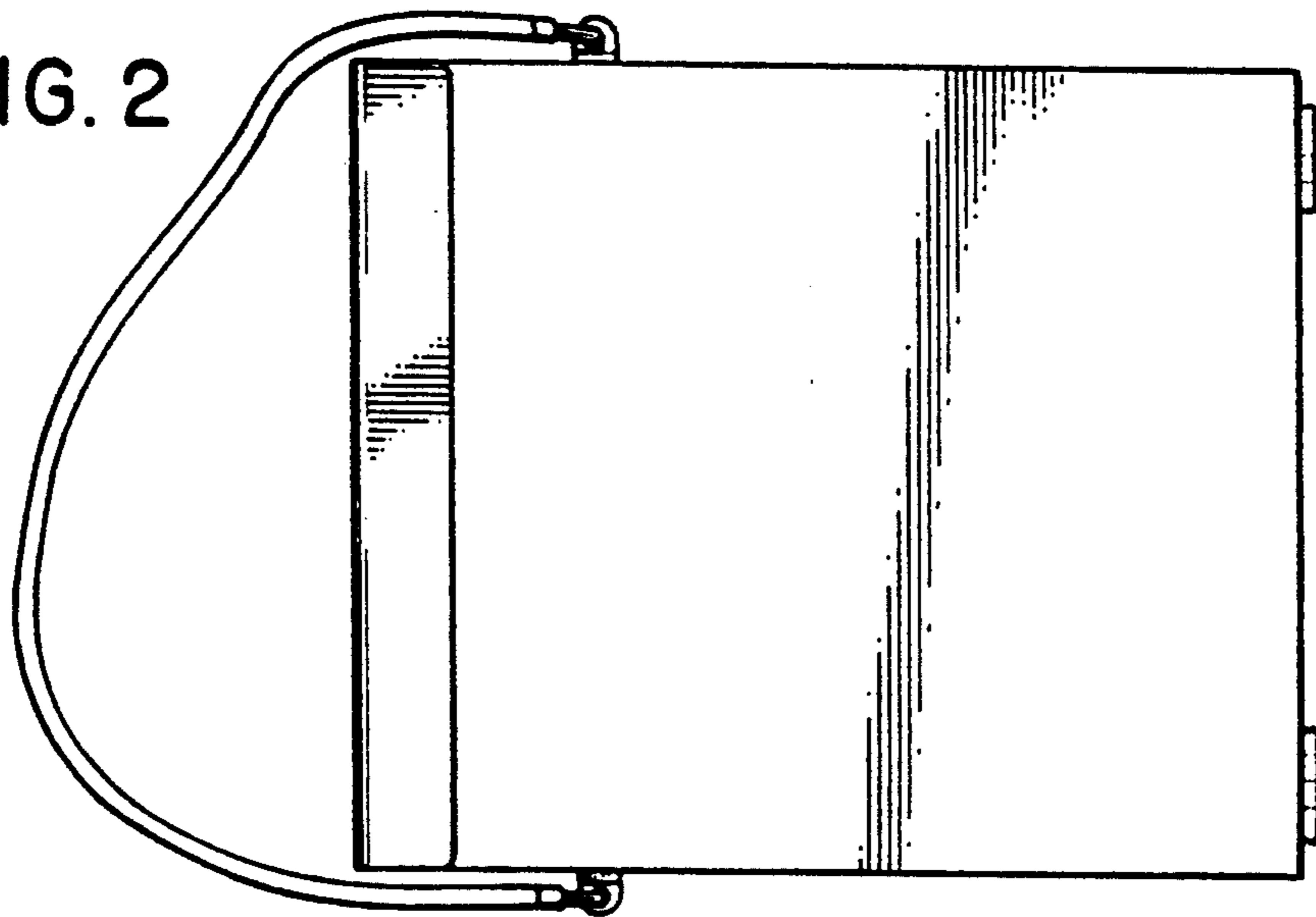


FIG. 3

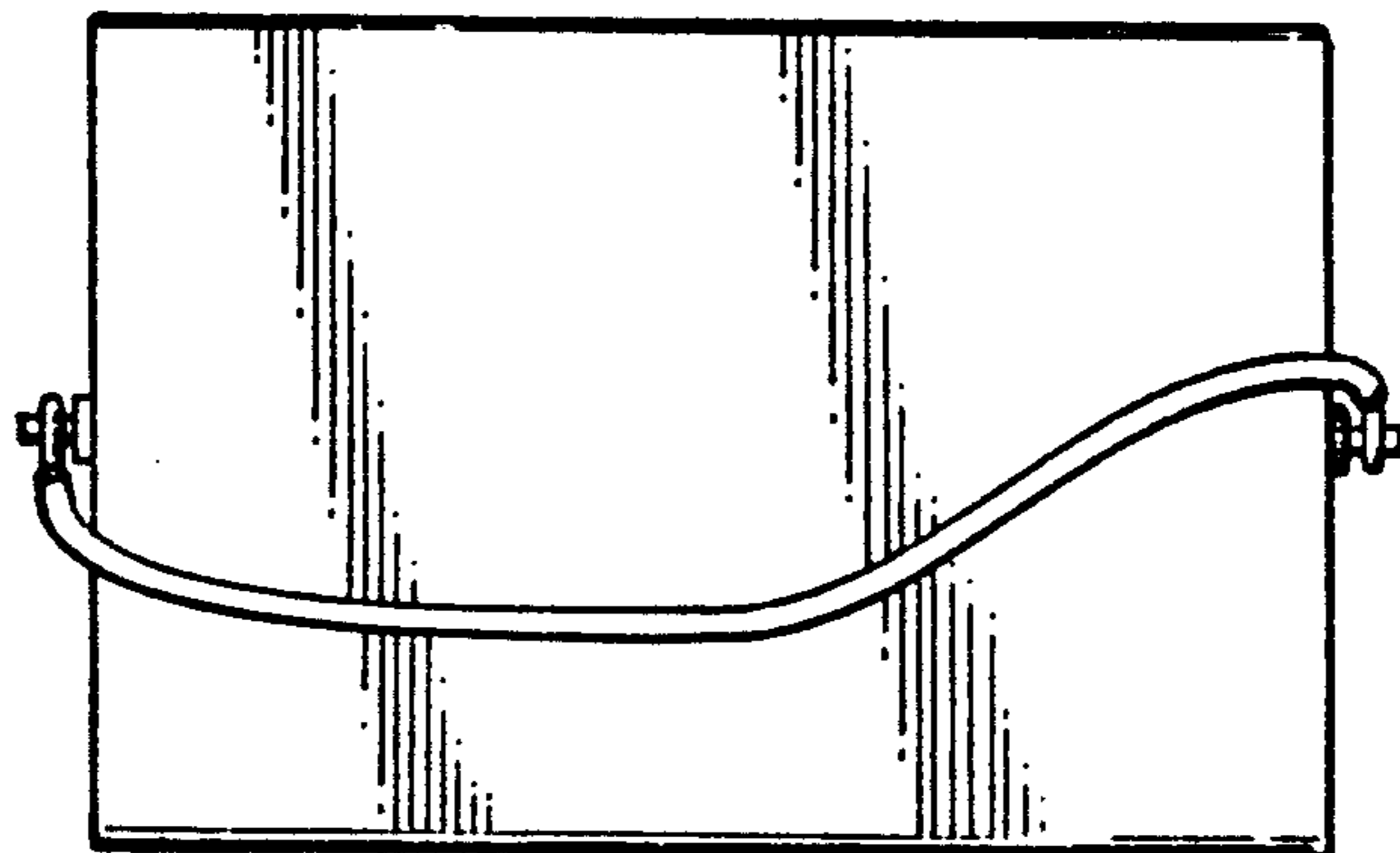


FIG. 4

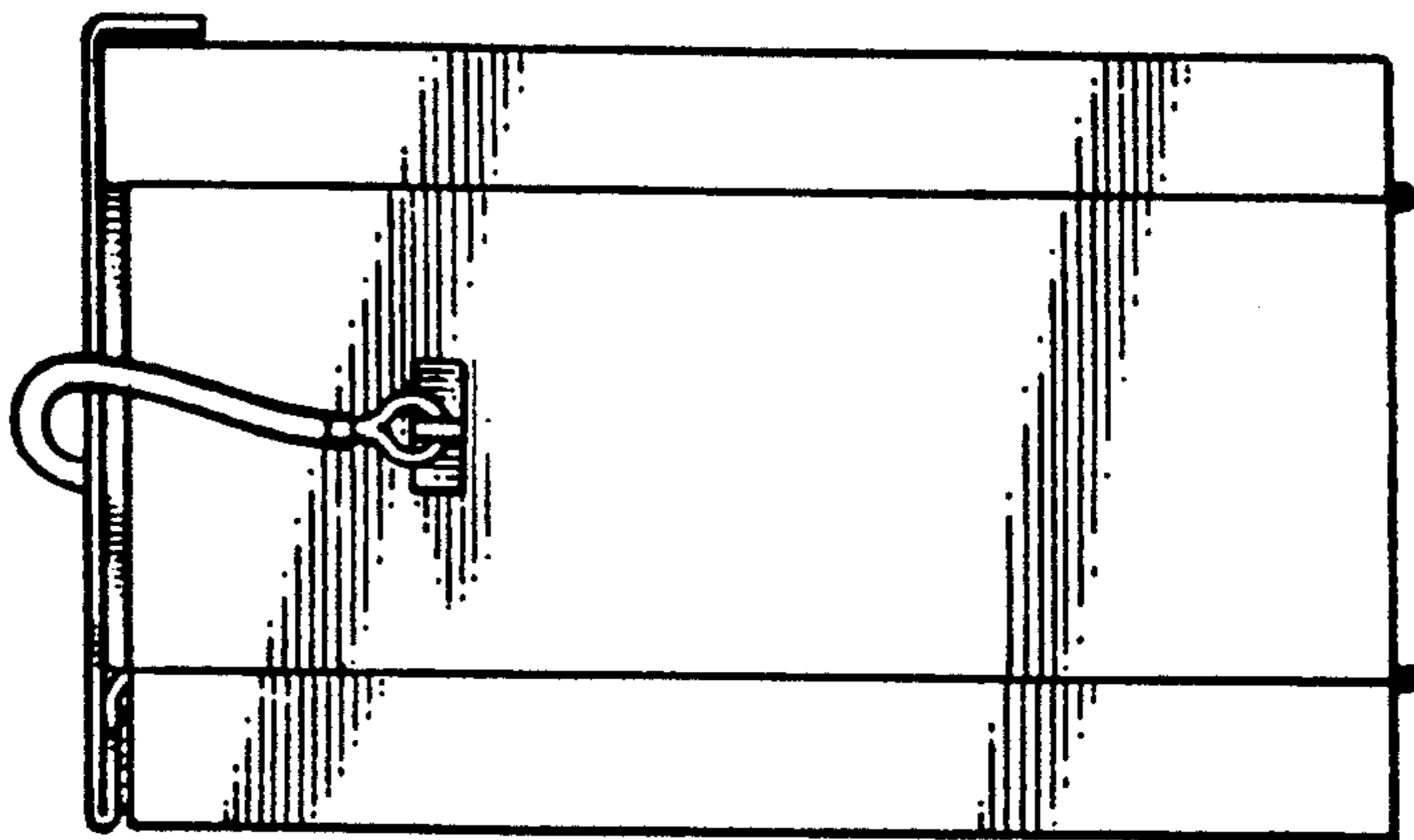


FIG. 5

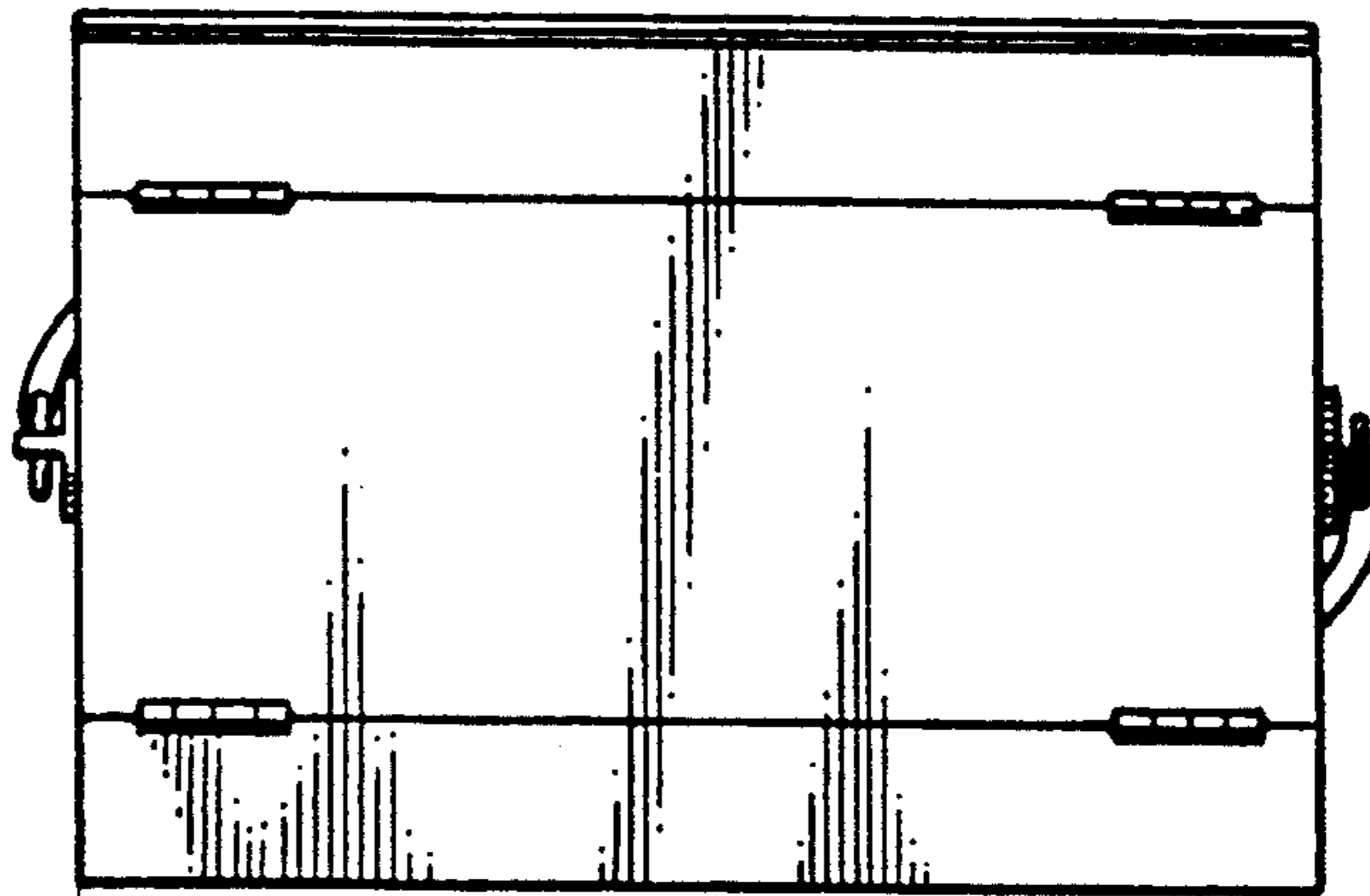


FIG. 6

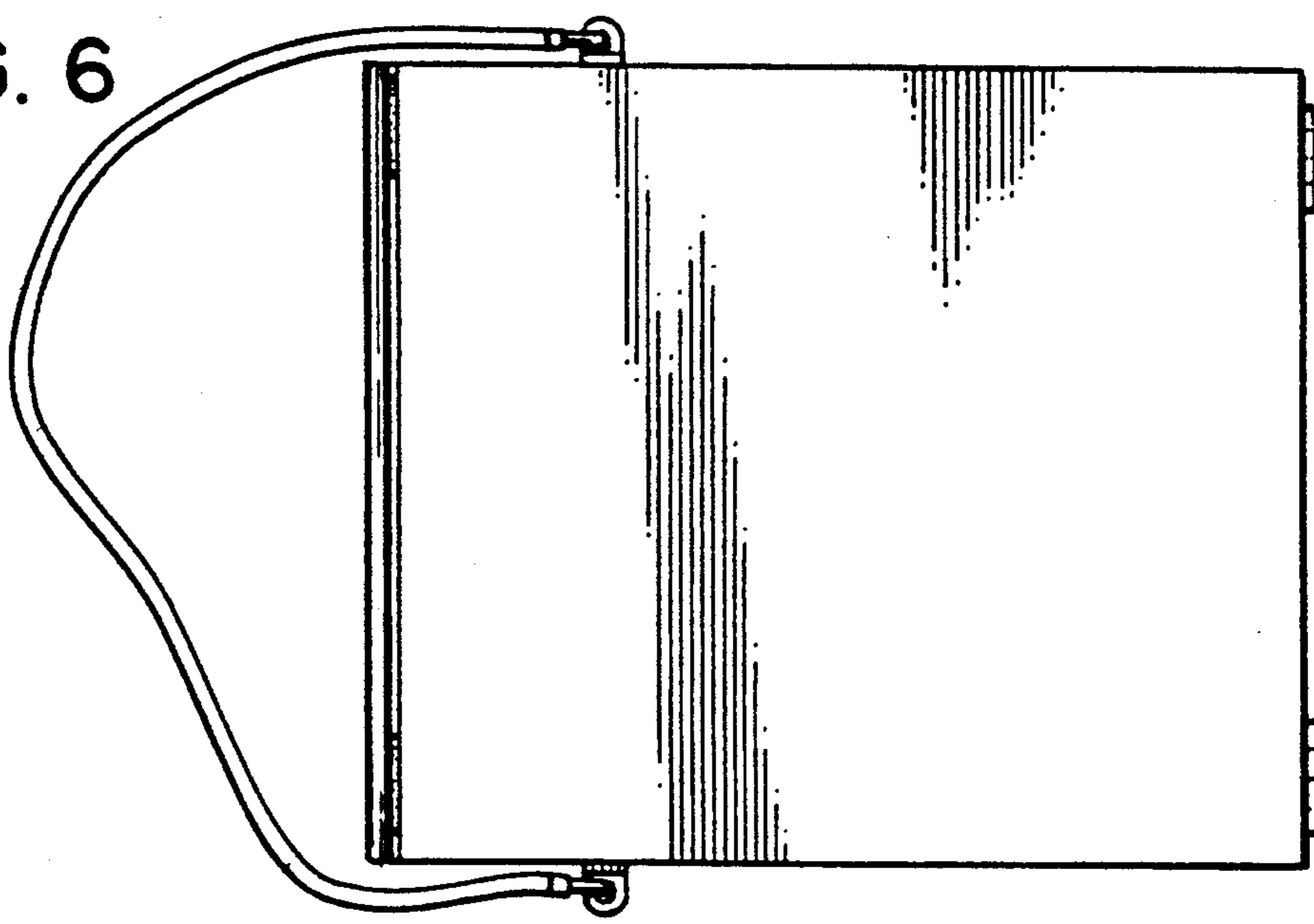


FIG. 7

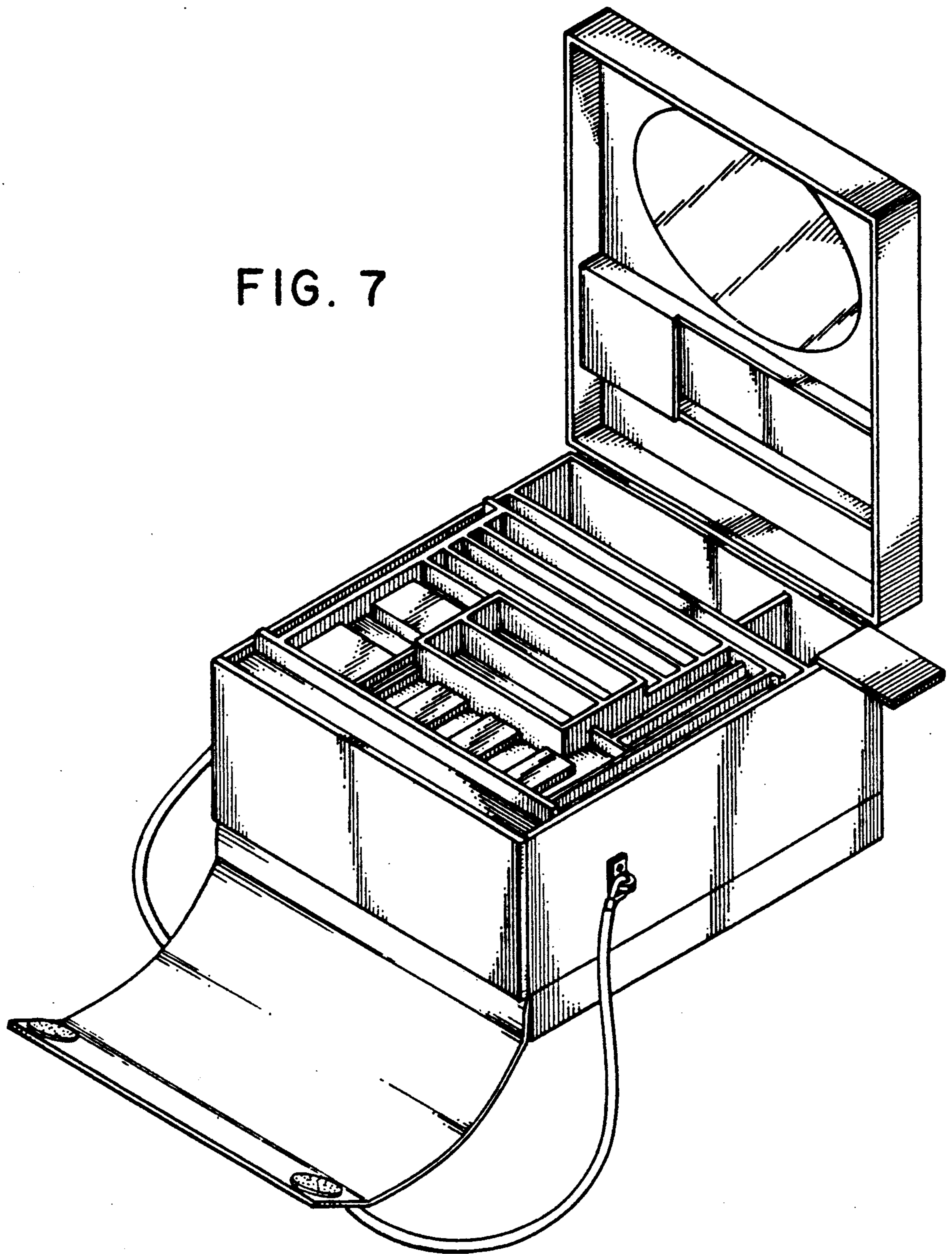


FIG. 8

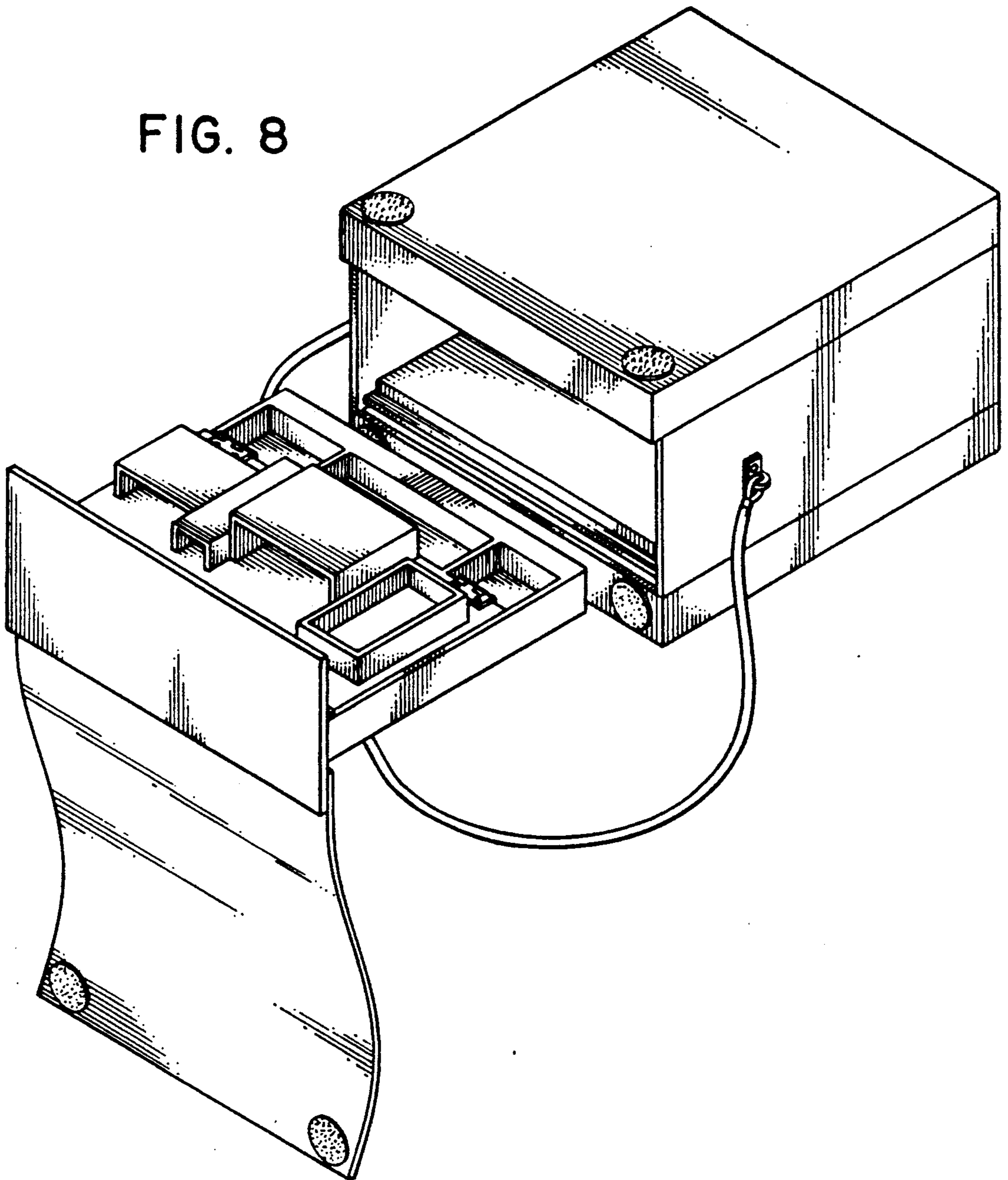


FIG. 9

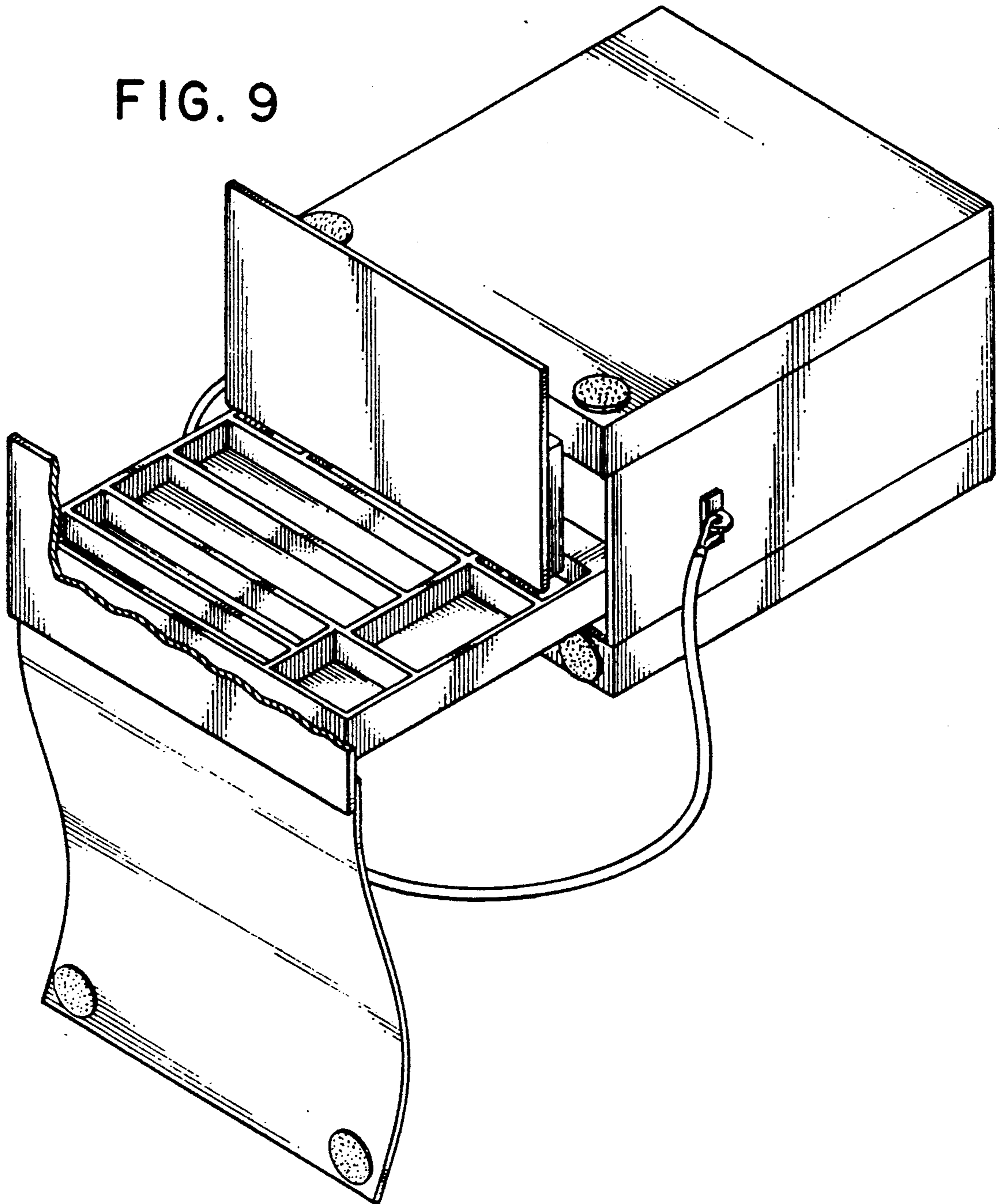


FIG. 10

