



US00D342136S

United States Patent [19]

[11] Patent Number: **Des. 342,136**

Lafferty et al.

[45] Date of Patent: **** Dec. 7, 1993**

[54] **DISPOSABLE ARTHROSCOPE**

[75] Inventors: **Michael Lafferty**, Leucadia; **Daniel Kline**, Carlsbad; **Charles S. Slemon**, Encinitas, all of Calif.

D. 335,710	5/1993	Ainger, III	D24/138
3,132,646	5/1964	Heff	D14/138 X
3,297,022	1/1967	Wallace	128/6
4,201,199	5/1980	Smith	128/6 X
4,870,952	10/1989	Martinez	128/6 X

[73] Assignee: **Citation Medical Corporation**, Reno, Nebr.

Primary Examiner—A. Hugo Word
Assistant Examiner—I. Simmons
Attorney, Agent, or Firm—Nydegger & Associates

[**] Term: **14 Years**

[21] Appl. No.: **787,966**

[57] **CLAIM**

[22] Filed: **Nov. 1, 1991**

The ornamental design for a disposable arthroscope, as shown.

[52] U.S. Cl. **D24/138; D24/112**

[58] Field of Search **D24/137, 138, 112, 130, D24/129; 128/6; 606/14**

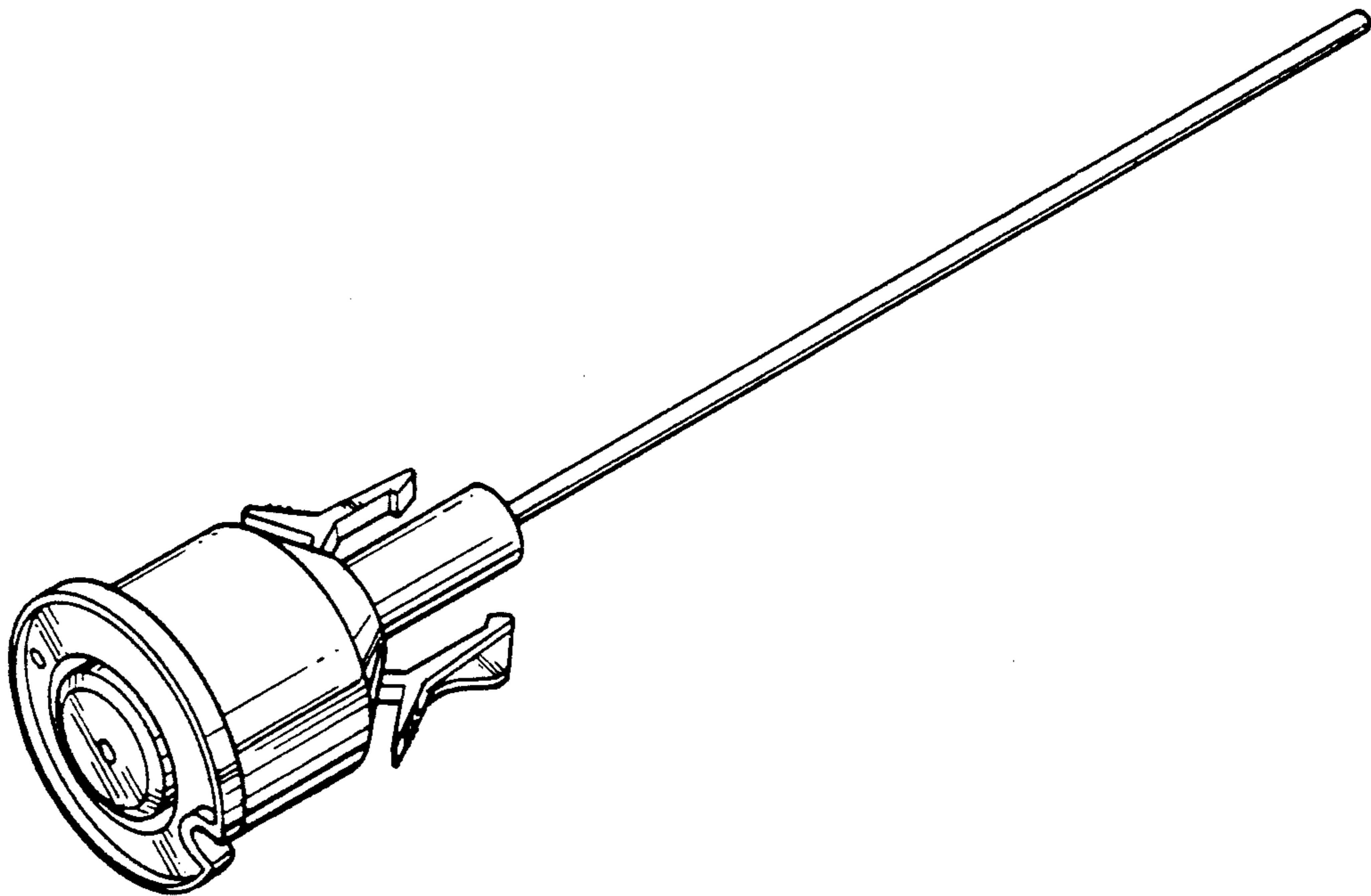
DESCRIPTION

[56] **References Cited**

U.S. PATENT DOCUMENTS

D. 286,566	11/1986	Vukovic	D24/138
D. 287,629	1/1987	Feinbloom et al.	D24/138

FIG. 1 is a perspective view of the disposable arthroscope of the present invention;
FIG. 2 is a front elevational view thereof;
FIG. 3 is a rear elevational view thereof;
FIG. 4 is a top plan view thereof; and
FIG. 5 is a bottom view thereof.



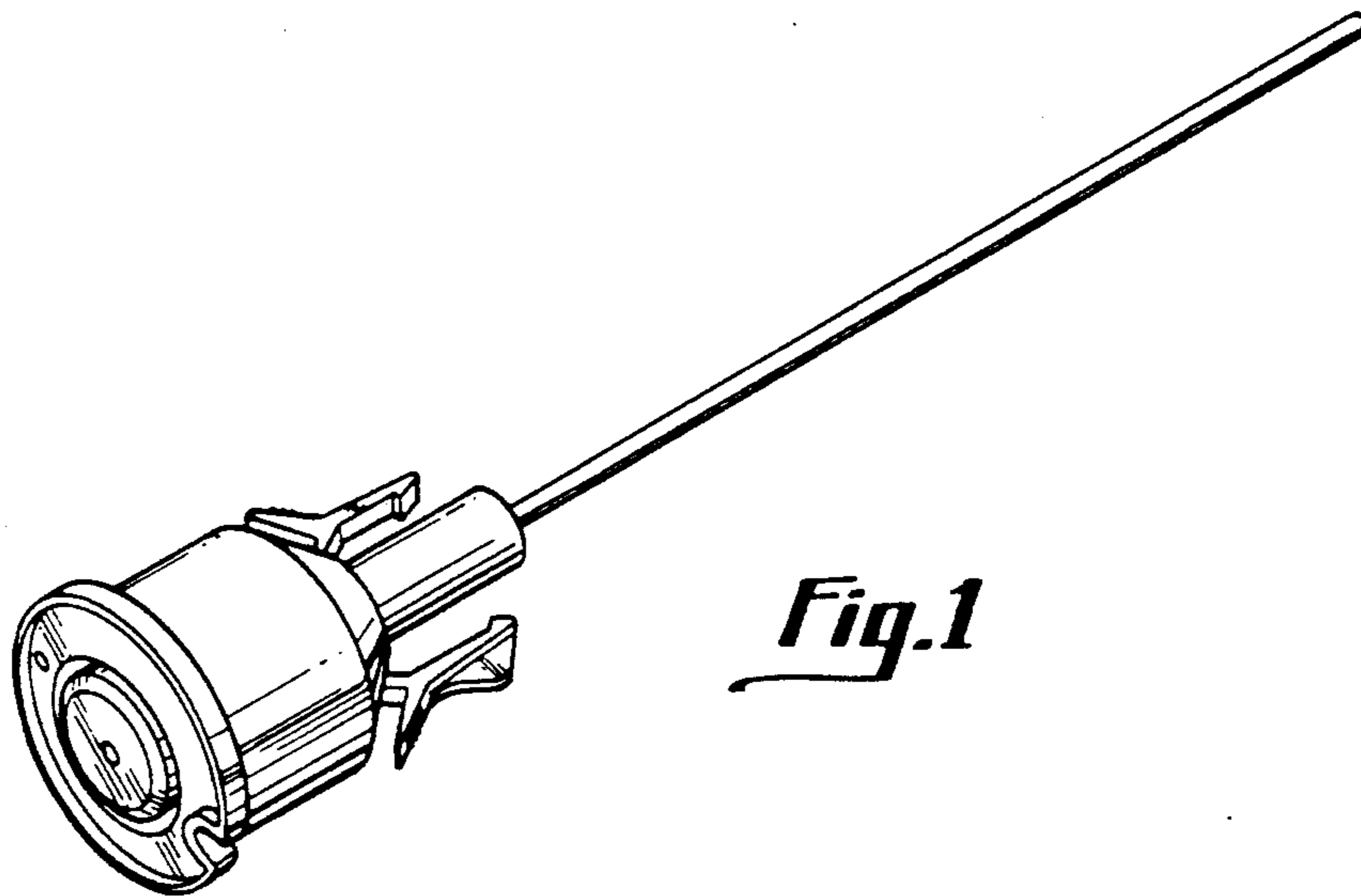


Fig. 1

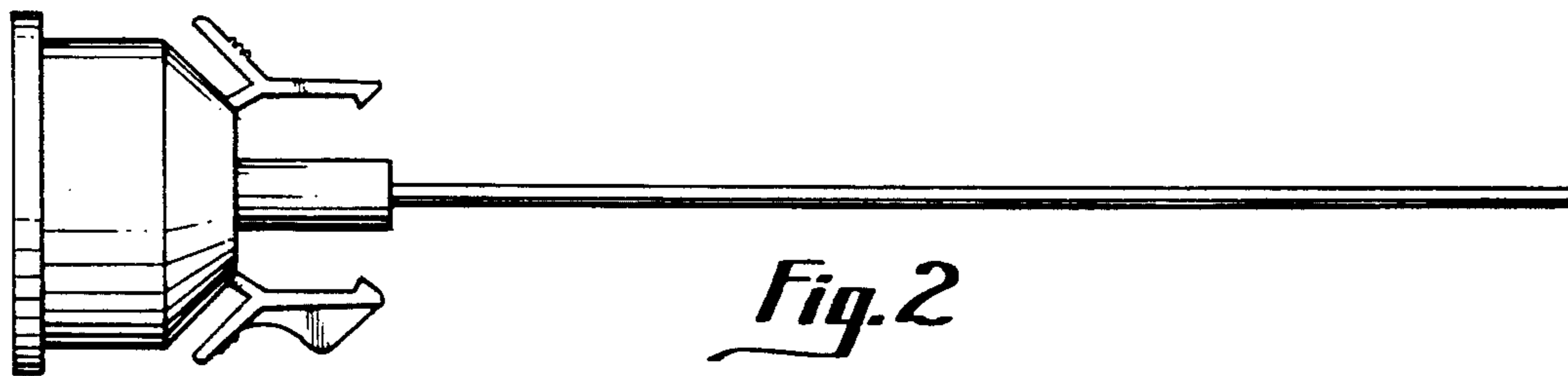


Fig. 2

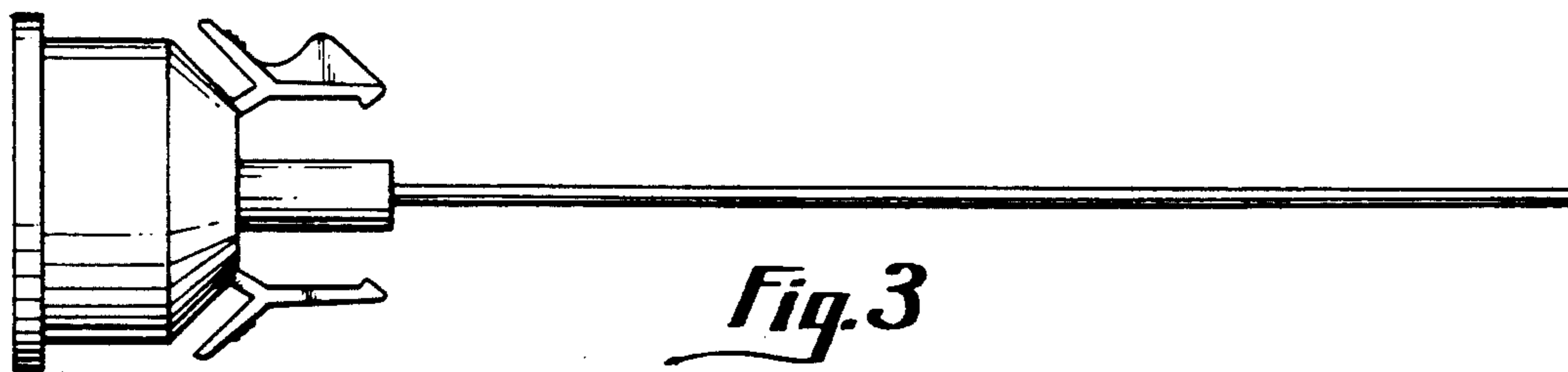


Fig. 3

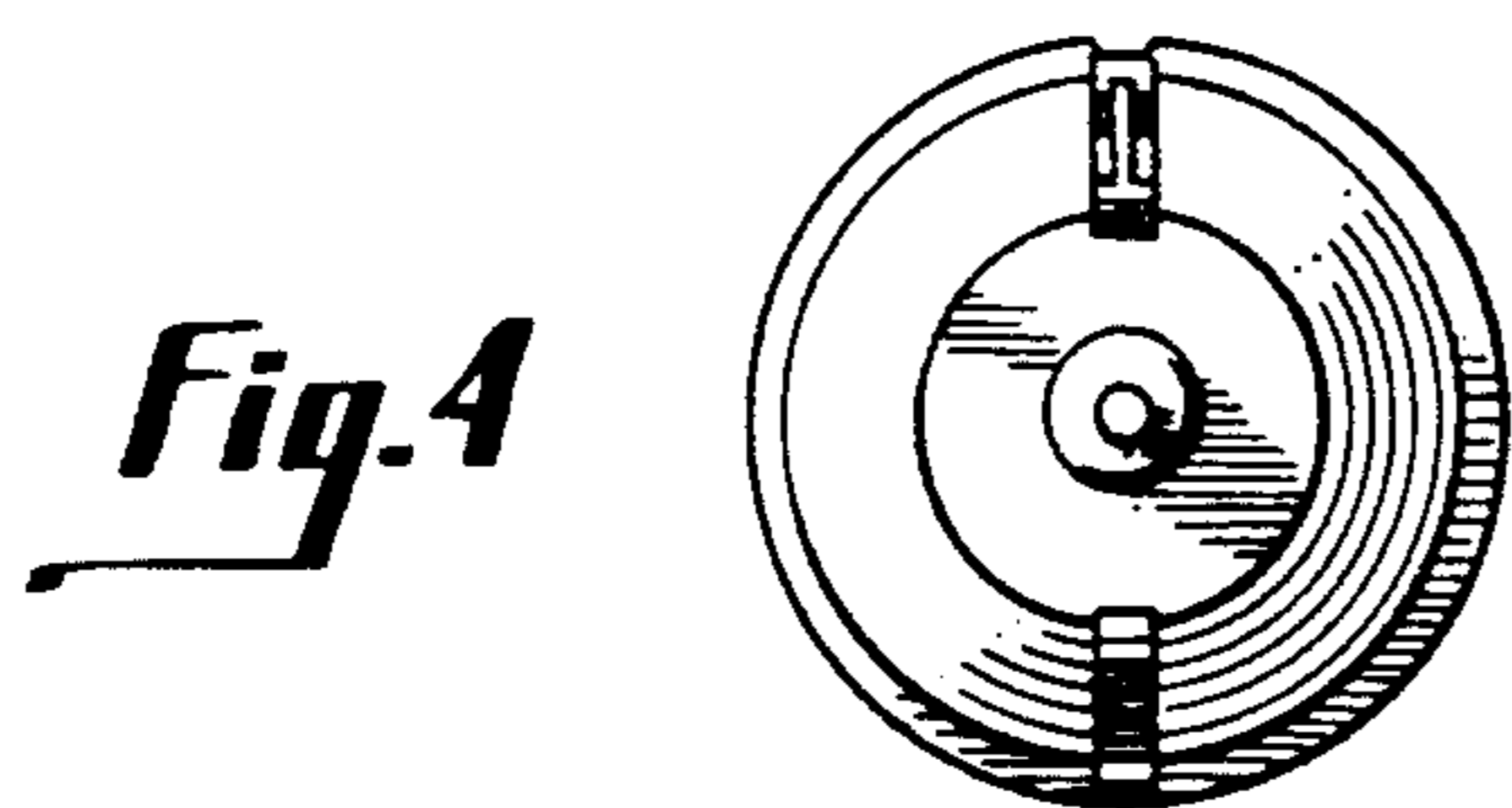


Fig. 4

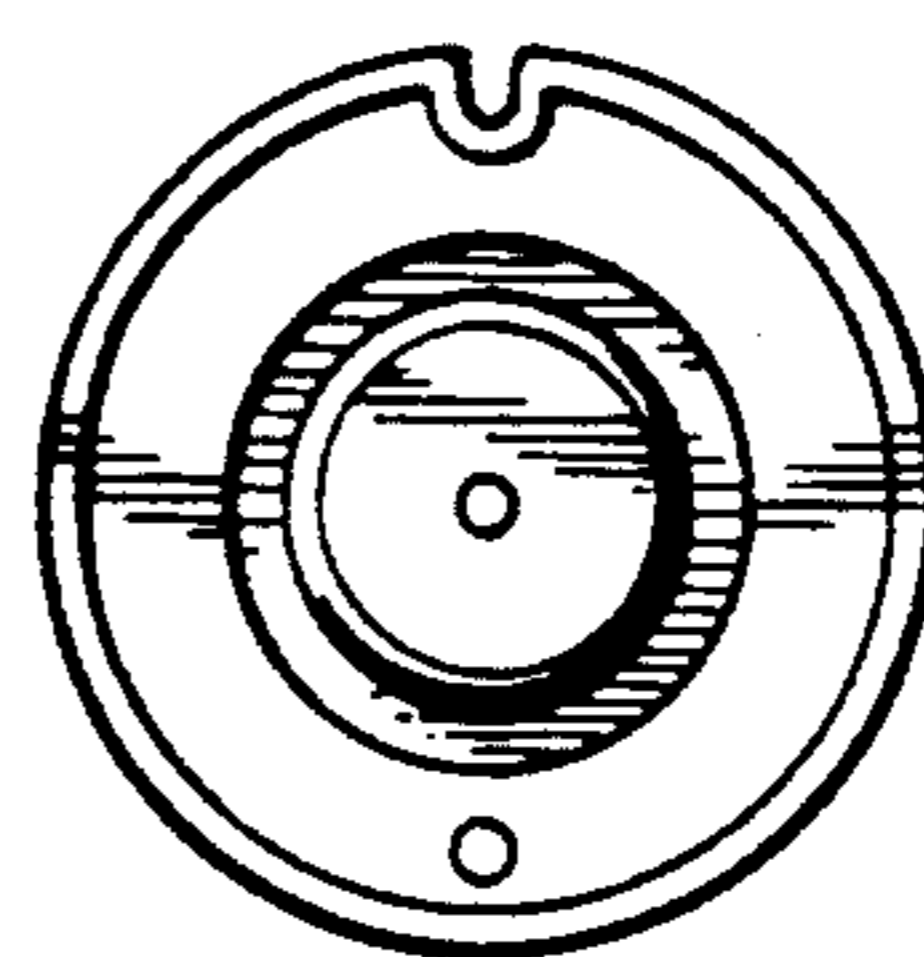


Fig. 5