



US00D342130S

# United States Patent [19]

Anderson et al.

[11] Patent Number: **Des. 342,130**

[45] Date of Patent: **\*\* Dec. 7, 1993**

- [54] **DUCT OFFSET ELBOW**
- [75] Inventors: **Charles B. Anderson**, Jacksonville, Tex.; **Charles R. Kenrick**, Spring Lake, Mich.
- [73] Assignee: **Builder's Best, Inc.**, Jacksonville, Tex.
- [\*\*] Term: **14 Years**
- [21] Appl. No.: **829,721**
- [22] Filed: **Jan. 31, 1992**
- [52] U.S. Cl. .... **D23/393; D23/263**
- [58] Field of Search ..... **D23/262, 263, 393, 394; 285/163-165, 168, 179, 181-183, 226, 424, 903**

2,348,455	5/1944	Daudelin .....	454/200
2,392,220	1/1946	Bruhn et al. ....	285/182
2,823,703	2/1958	Nusser, Jr. ....	285/181
3,185,506	5/1965	Szlashta .....	285/183
5,121,948	6/1992	Anderson et al. ....	285/183 X
5,145,217	9/1992	Anderson et al. ....	285/179

*Primary Examiner*—James R. Largen  
*Attorney, Agent, or Firm*—Price, Heneveld, Cooper, DeWitt & Litton

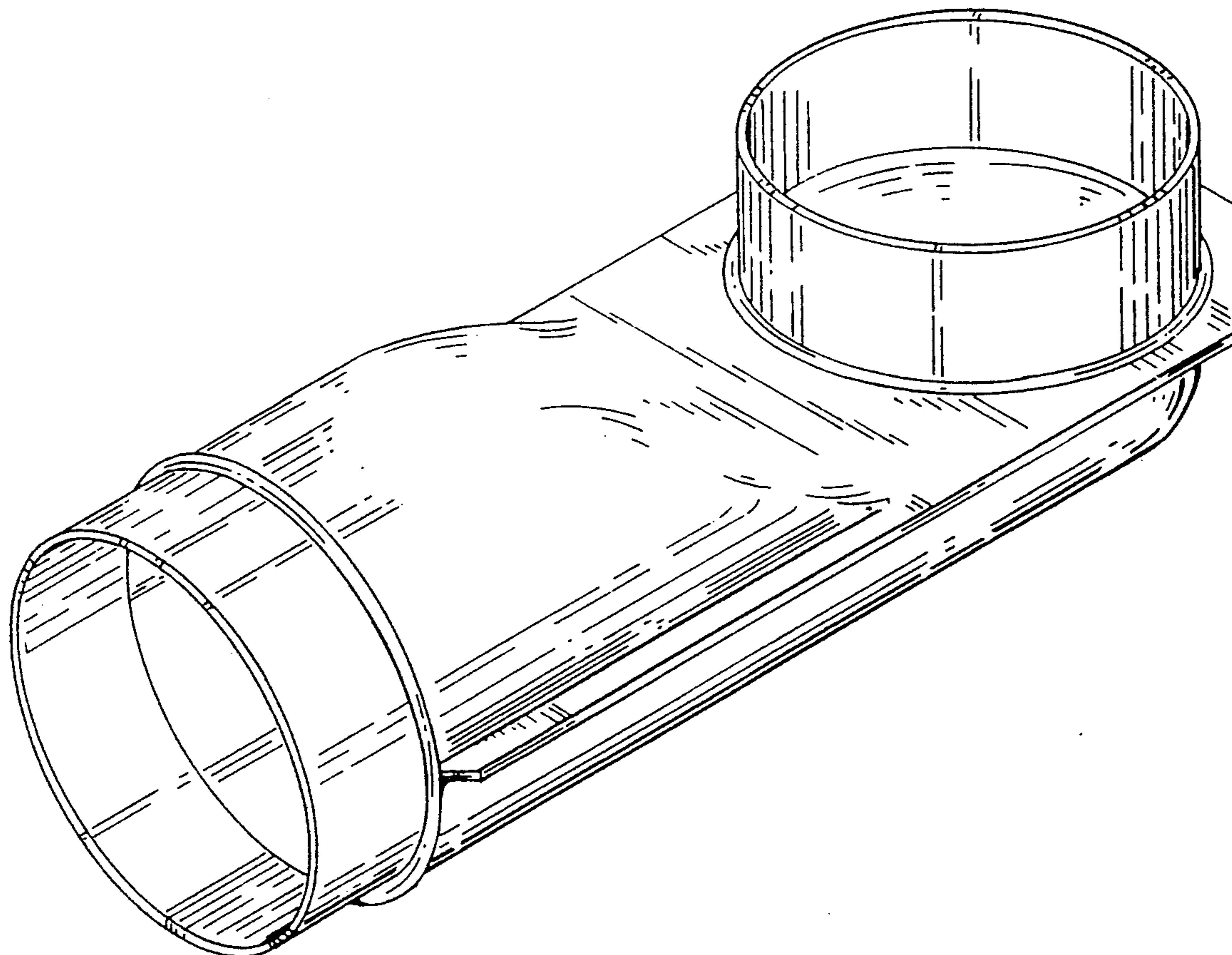
### [57] CLAIM

The ornamental design for a duct offset elbow, as shown and described.

### DESCRIPTION

FIG. 1 is a top perspective view of a duct offset elbow showing our new design;  
 FIG. 2 is a side elevational view thereof, the opposite side being a mirror image of the side shown;  
 FIG. 3 is an end elevational view thereof;  
 FIG. 4 is a top plan view thereof;  
 FIG. 5 is an elevational view taken from the end opposite that shown in FIG. 3; and,  
 FIG. 6 is a bottom plan view thereof.

- [56] **References Cited**
- U.S. PATENT DOCUMENTS**
- D. 33,258 9/1900 Kelly ..... D23/263
- D. 335,174 4/1993 Anderson et al. .... D23/393
- 925,762 6/1909 Eager ..... D23/394 X
- 2,086,007 7/1937 Tompkins ..... 285/183
- 2,131,804 10/1938 Holub ..... 285/182



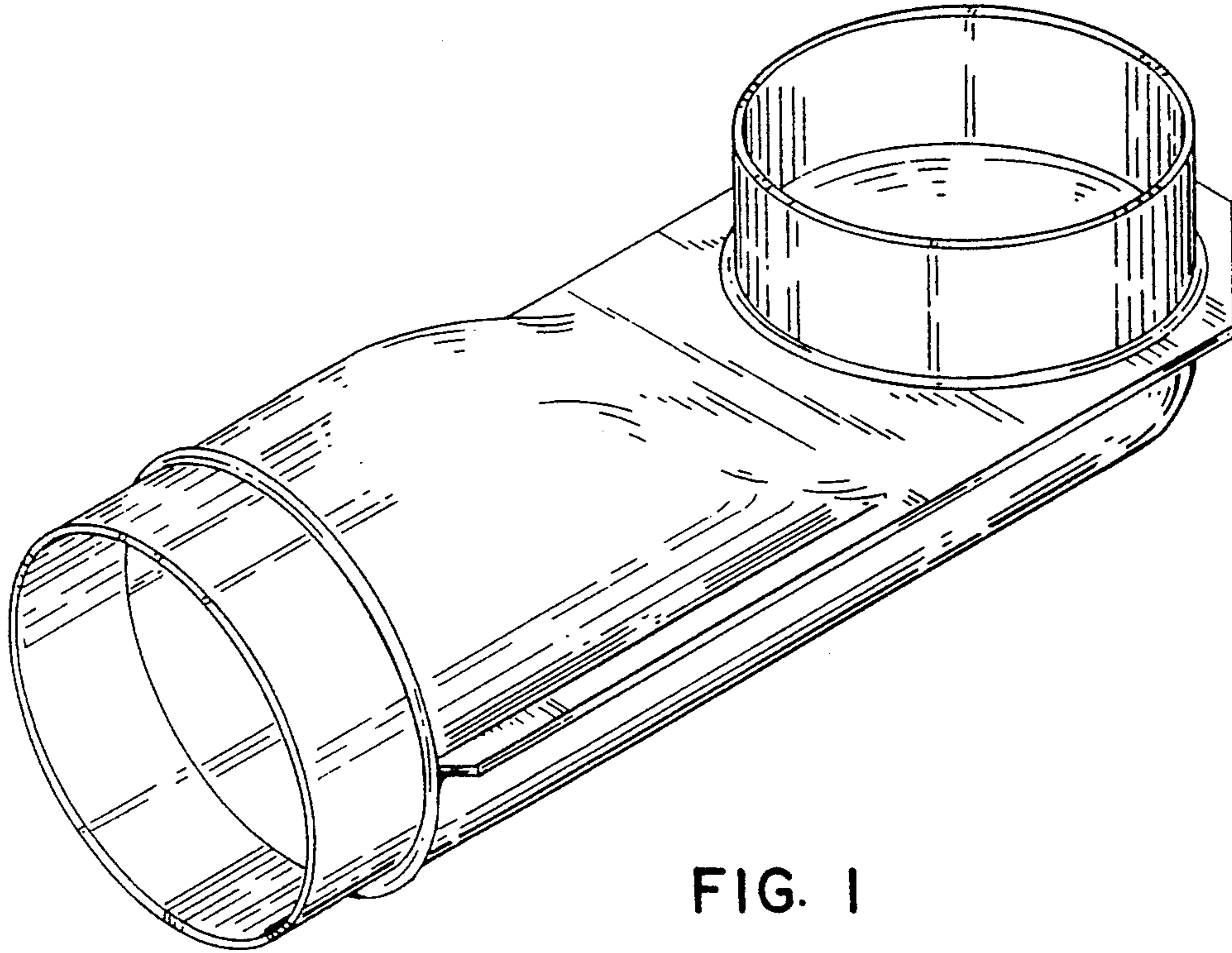


FIG. 1

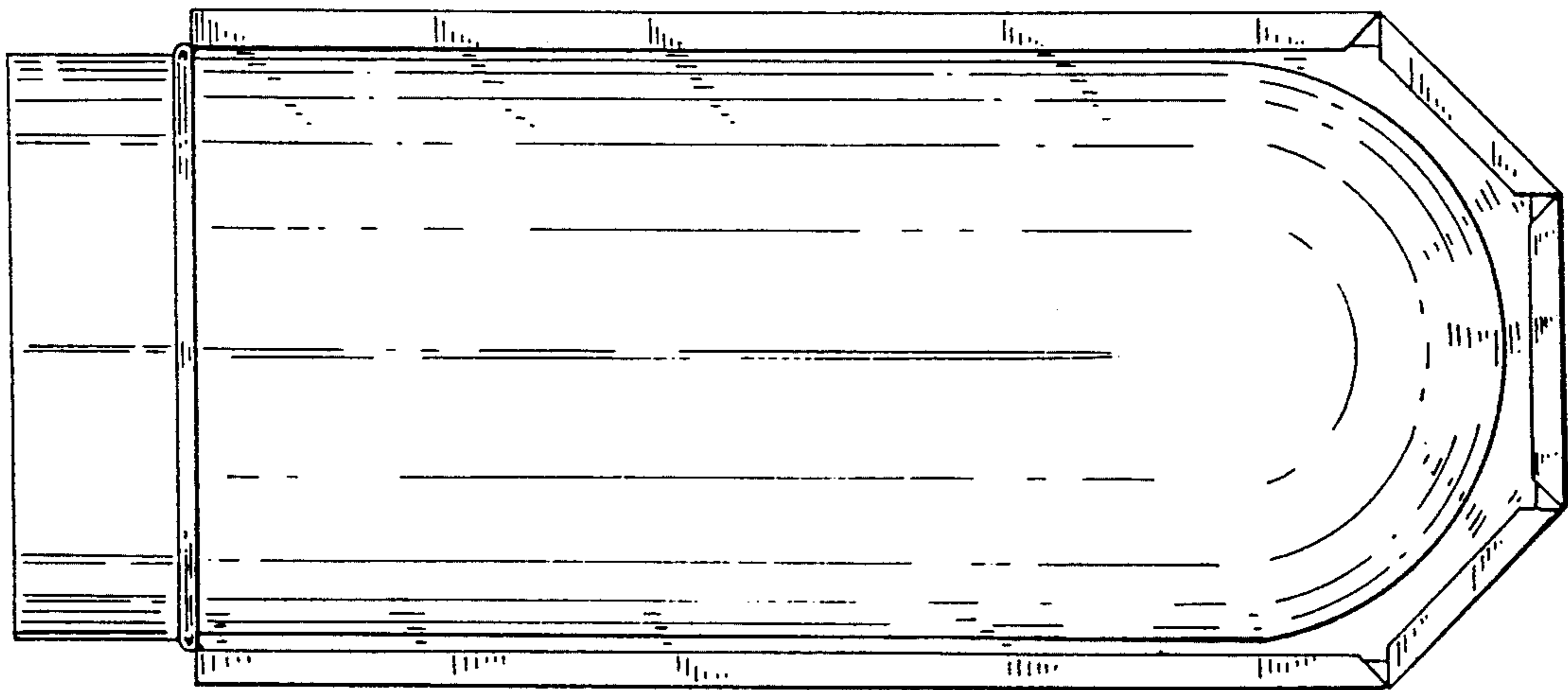


FIG. 6

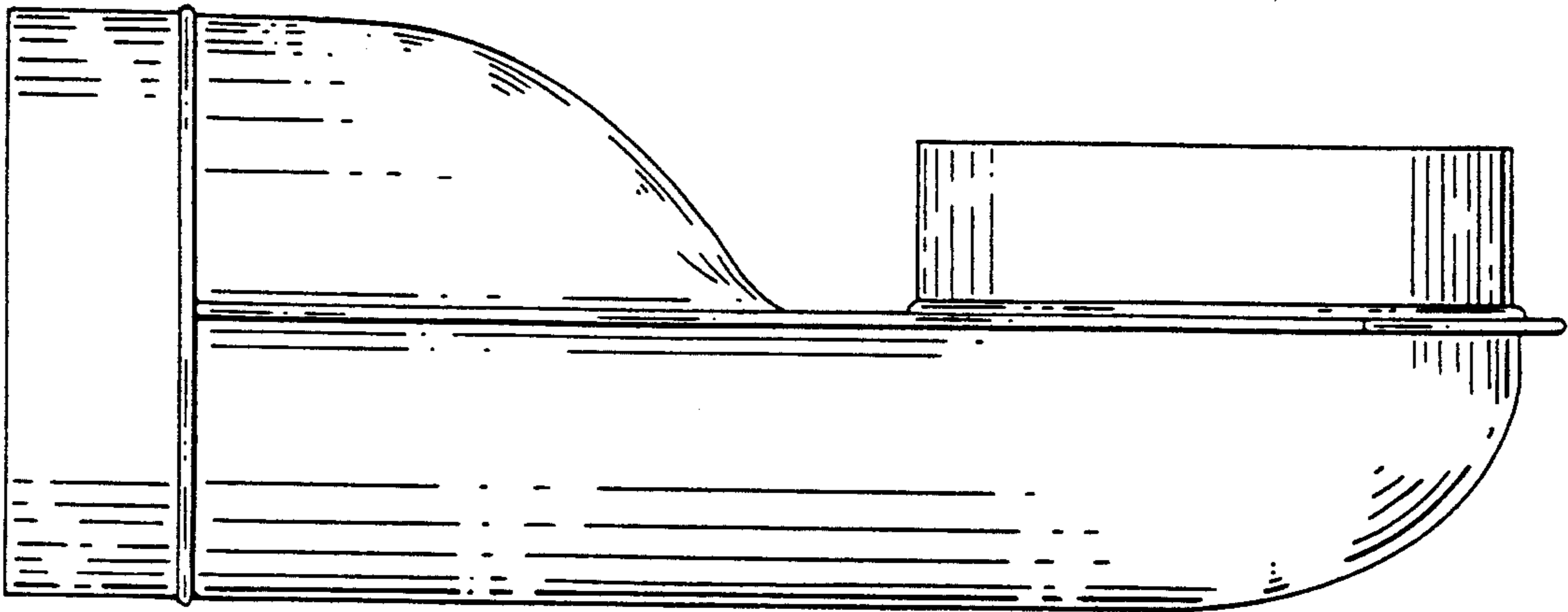


FIG. 2

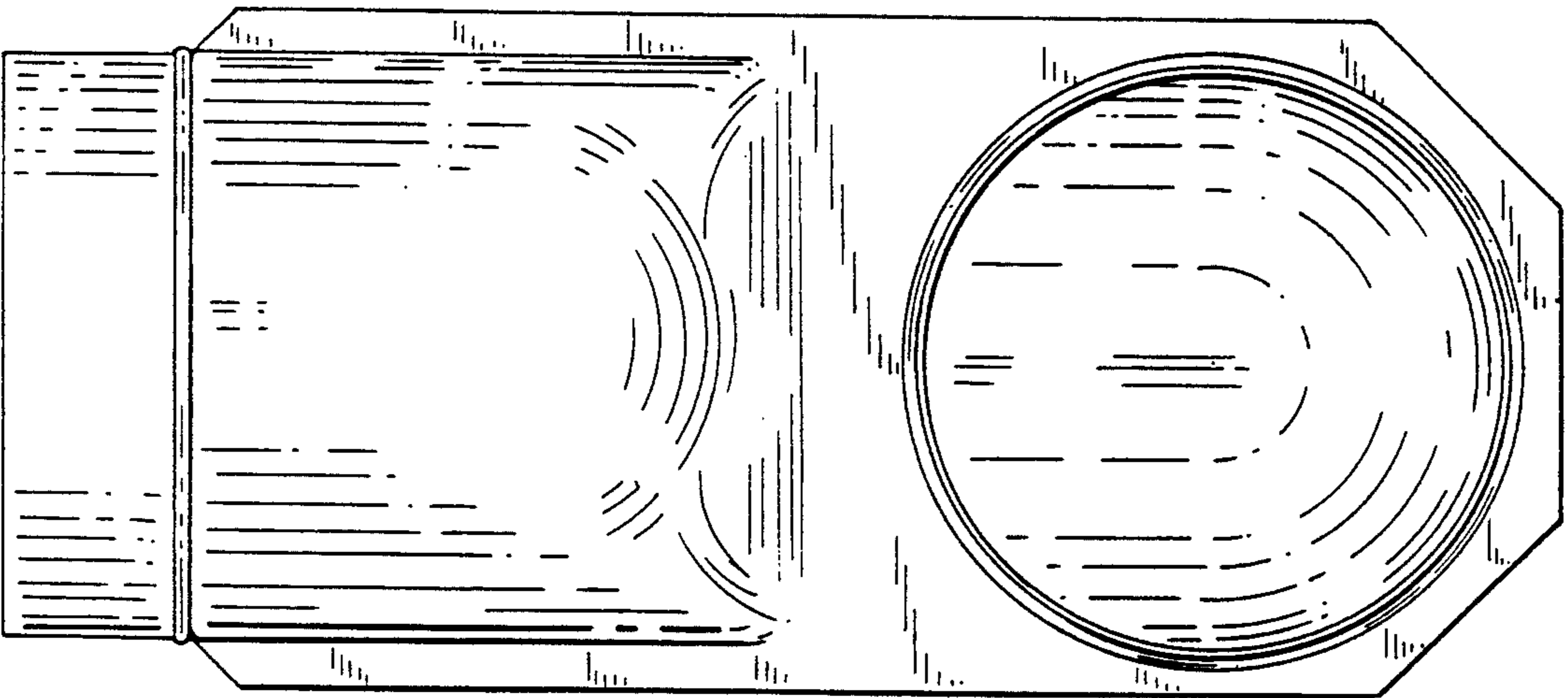


FIG. 4

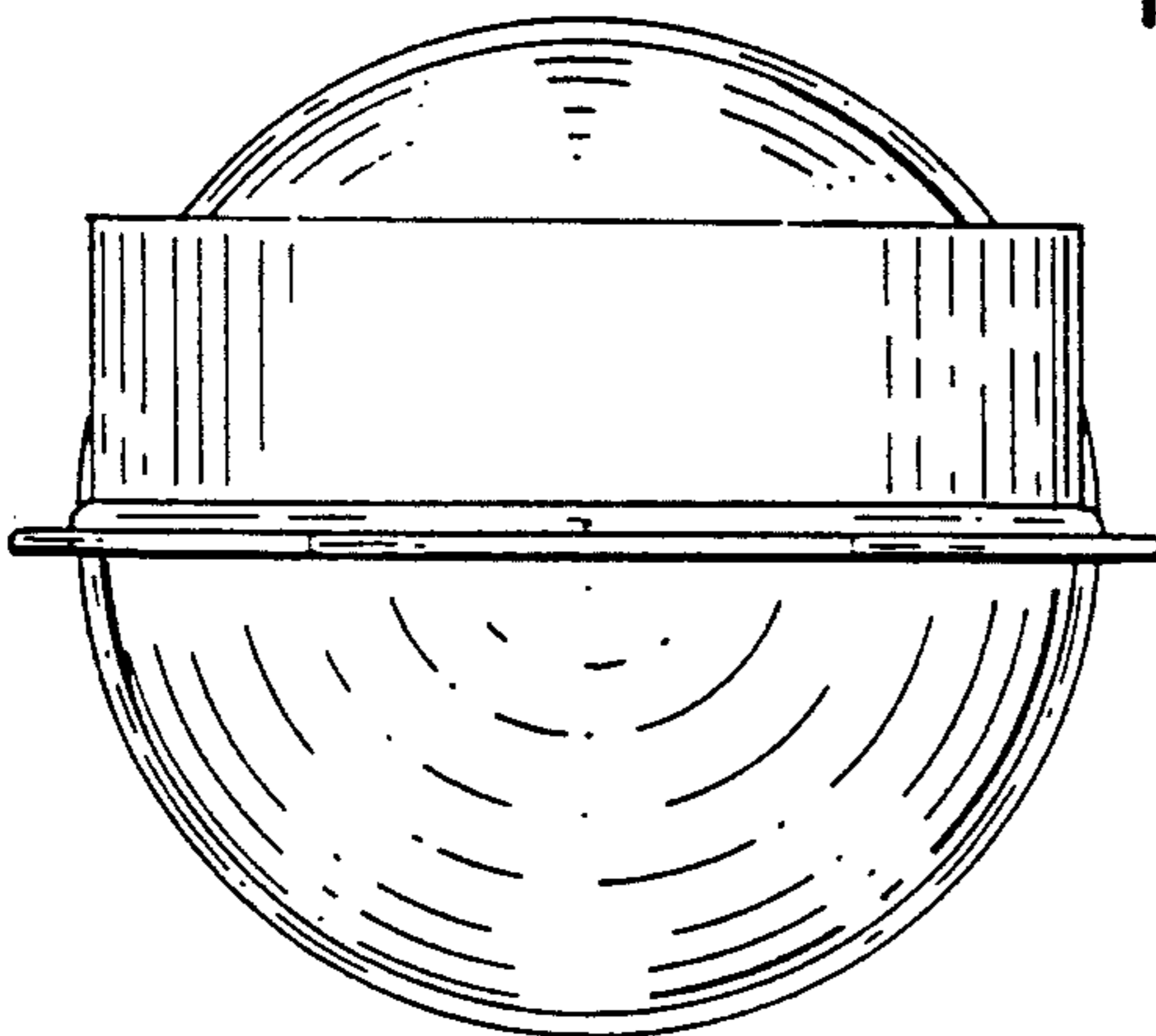


FIG. 3

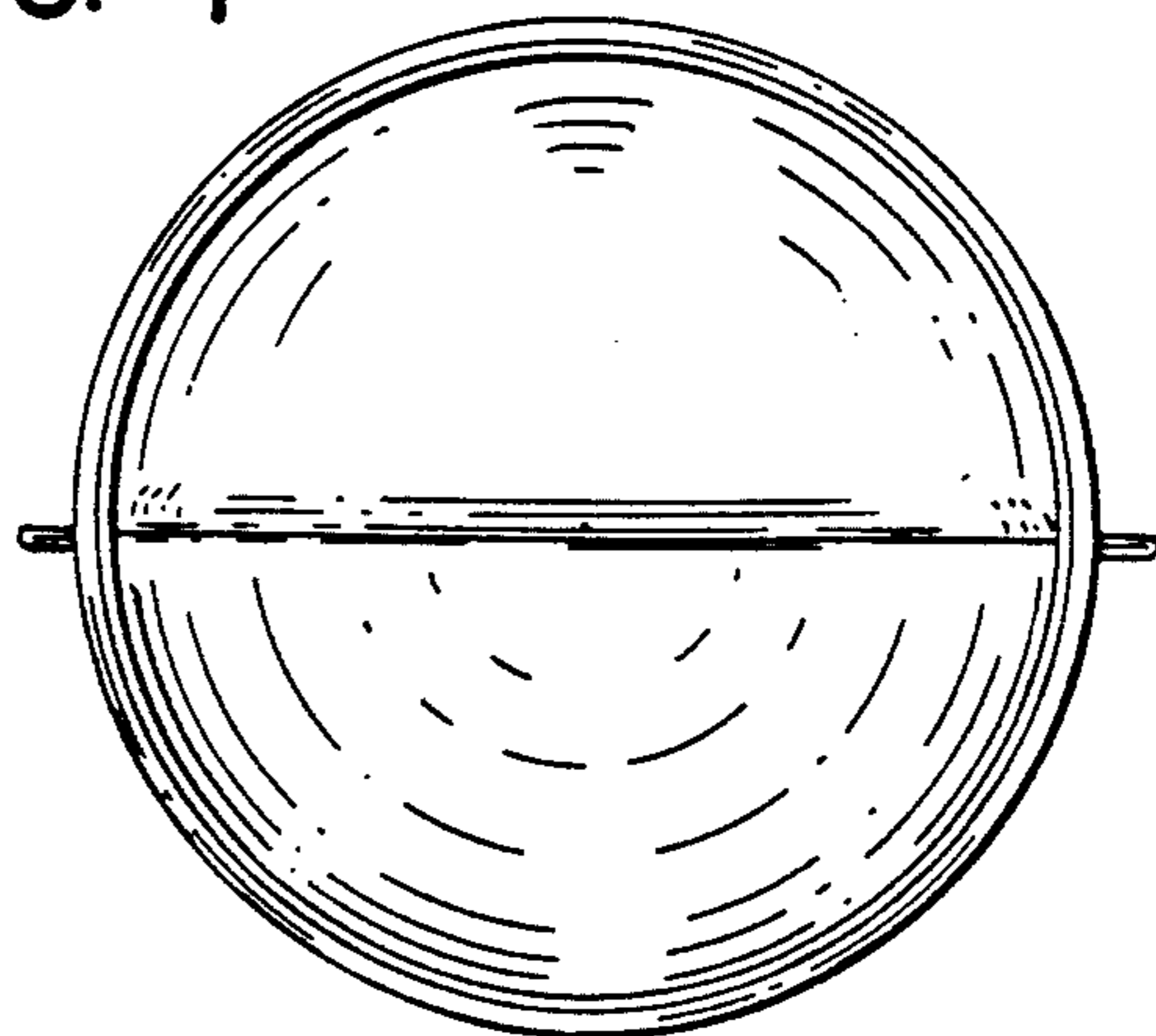


FIG. 5